

US00D762560S

(12) **United States Design Patent**  
**Hamanaka**

(10) **Patent No.:** **US D762,560 S**

(45) **Date of Patent:** **\*\* Aug. 2, 2016**

(54) **AUTOMOBILE TIRE**

FOREIGN PATENT DOCUMENTS

(71) Applicant: **THE YOKOHAMA RUBBER CO., LTD.**, Minato-ku, Tokyo (JP)

JP D1217737 9/2004

(72) Inventor: **Hideki Hamanaka**, Hitatsuka (JP)

OTHER PUBLICATIONS

(73) Assignee: **THE YOKOHAMA RUBBER CO., LTD.**, Minato-ku, Tokyo (JP)

Nov. 4, 2014—(JP) Notification of Reasons for Refusal—App 2014-011881—Eng Tran.

(\*\*) Term: **14 Years**

\* cited by examiner

(21) Appl. No.: **29/510,379**

*Primary Examiner* — George D Kirschbaum

*Assistant Examiner* — Jennifer Watkins

(22) Filed: **Nov. 26, 2014**

(74) *Attorney, Agent, or Firm* — Banner & Witcoff, Ltd.

(30) **Foreign Application Priority Data**

(57) **CLAIM**

The ornamental design for an automobile tire, as shown and described.

Jun. 2, 2014 (JP) ..... 2014-011881

(51) **LOC (10) Cl.** ..... **12-15**

(52) **U.S. Cl.**

USPC ..... **D12/594**

(58) **Field of Classification Search**

USPC ..... D12/568–603

CPC ..... B60C 5/00; B60C 11/04; B60C 11/11;

B60C 11/13; B60C 11/12; B60C 2011/1213;

B60C 11/03

See application file for complete search history.

**DESCRIPTION**

FIG. 1 is a perspective view of an automobile tire showing my new design;

FIG. 2 is a front view thereof;

FIG. 3 is a rear view thereof;

FIG. 4 is a left side view thereof;

FIG. 5 is a right side view thereof;

FIG. 6 is a top view thereof;

FIG. 7 is a bottom view thereof;

FIG. 8 is a partially enlarged view of a portion defined by lines 6-6 shown in FIG. 1;

FIG. 9 is a partially enlarged view of a portion defined by lines 7-7 shown in FIG. 2;

FIG. 10 is an end view of a portion defined by lines 8-8 shown in FIG. 7; and,

FIG. 11 is a reference perspective view thereof.

The portions of the article in broken lines are shown for illustrative purposes only and form no part of the claimed design. The dot and dashed lines mean a boundary between the claimed portion and the non-claimed portion.

(56) **References Cited**

U.S. PATENT DOCUMENTS

D384,611 S \* 10/1997 Harden, Jr. .... D12/597

D427,552 S \* 7/2000 Young ..... D12/602

D559,773 S \* 1/2008 Campana ..... D12/579

D631,002 S \* 1/2011 Cazin-Bourguignon ... D12/583

D740,744 S \* 10/2015 Krier ..... D12/583

D744,409 S \* 12/2015 Krier ..... D12/583

**1 Claim, 11 Drawing Sheets**

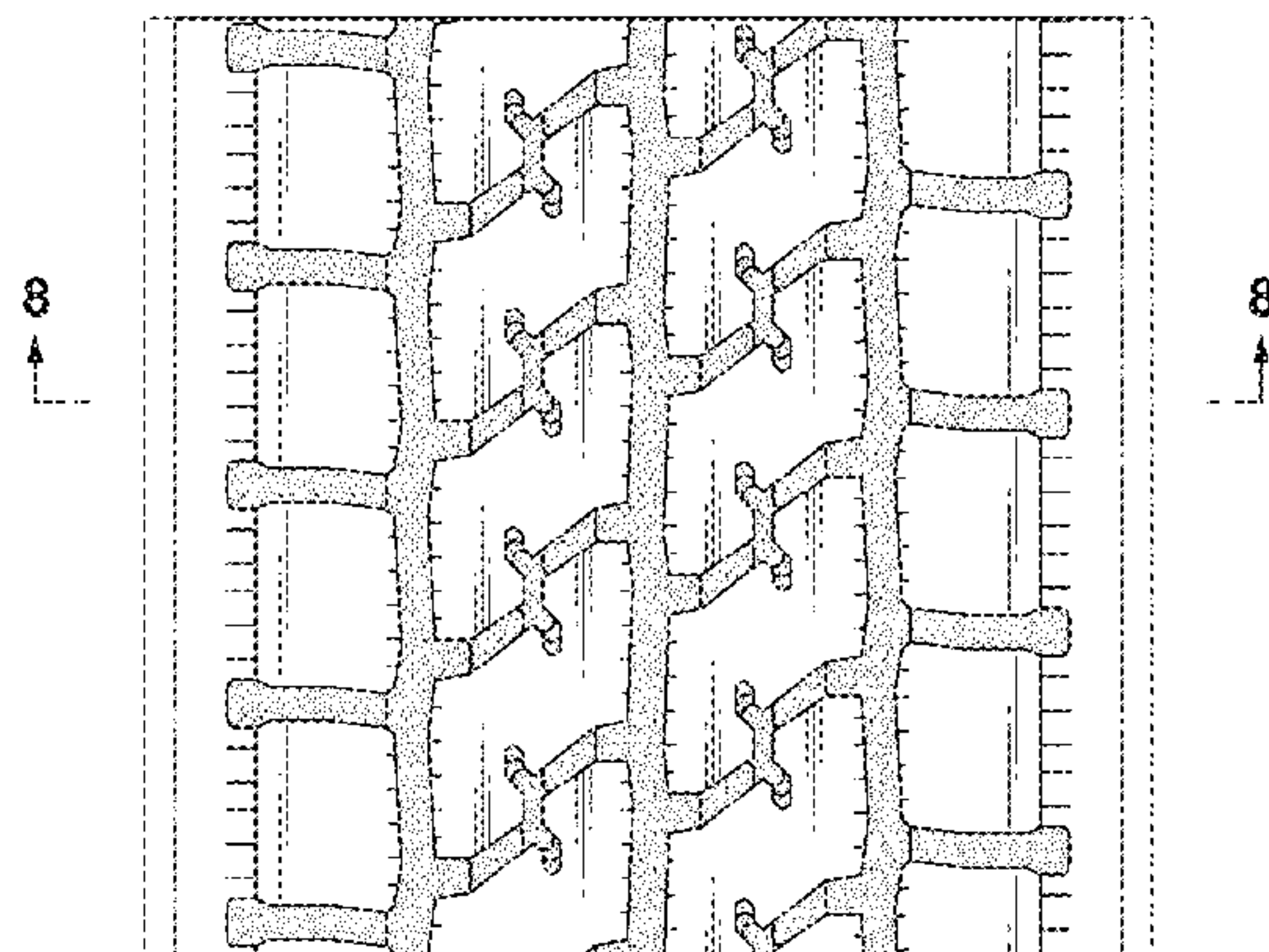
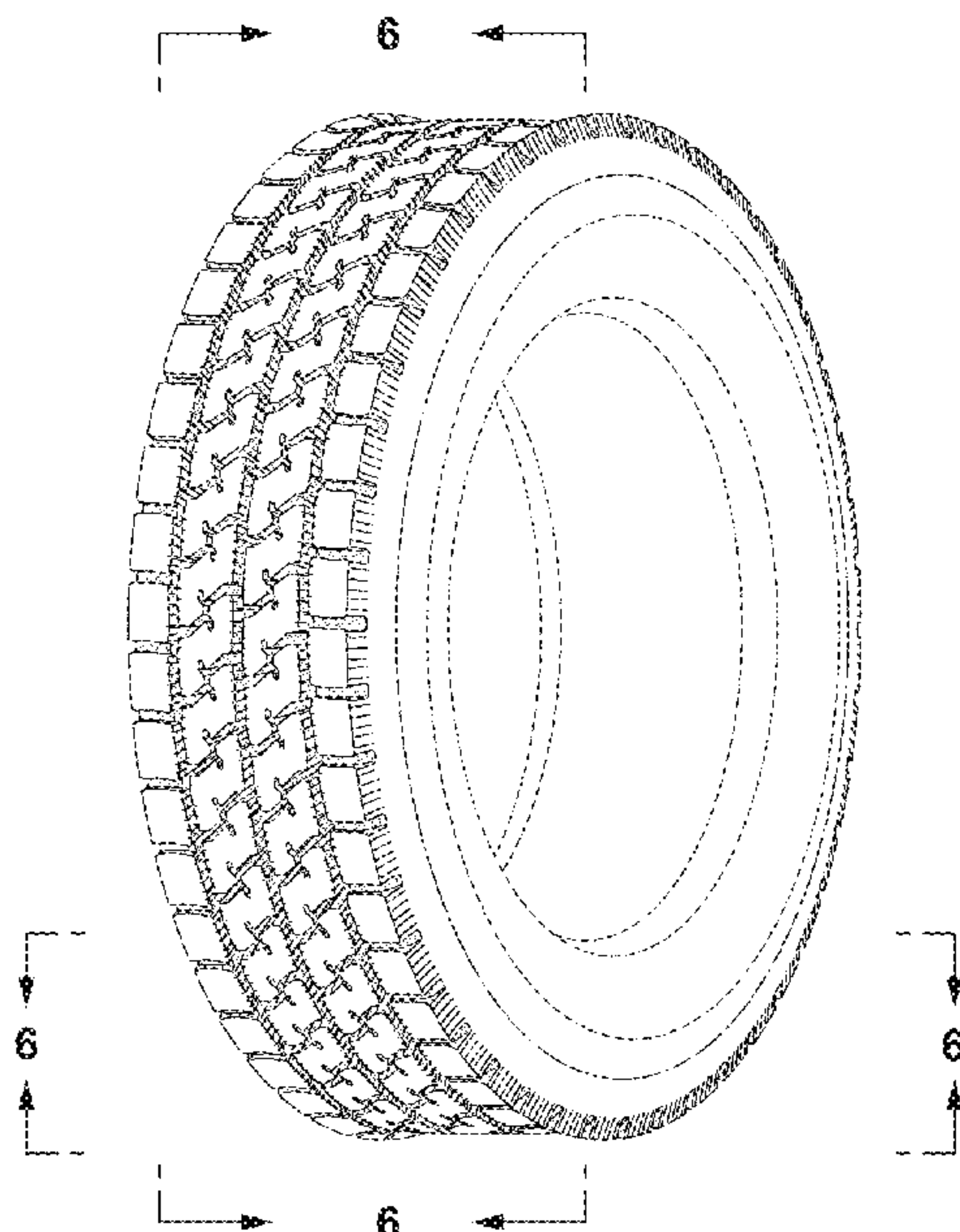


FIG. 1

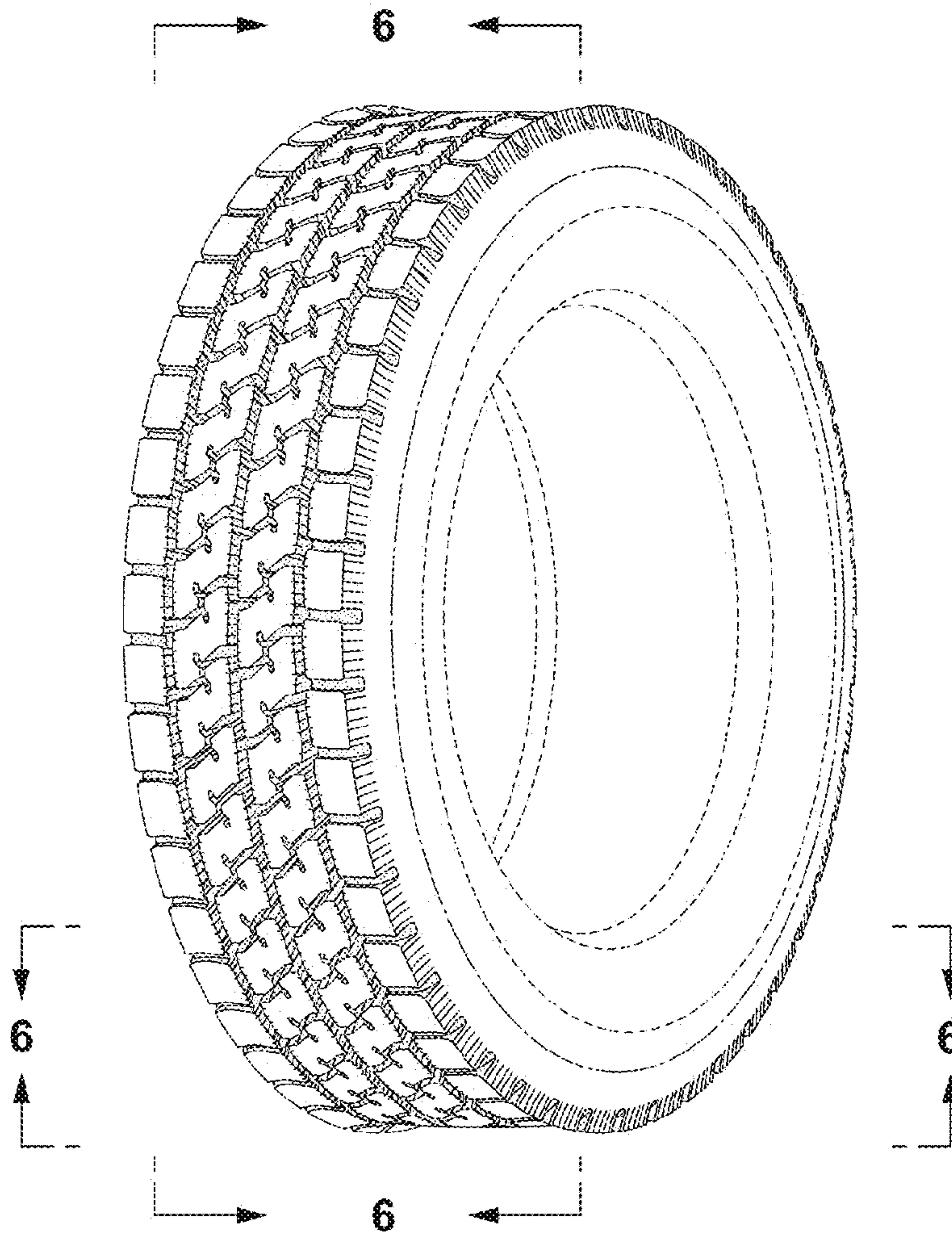


FIG. 2

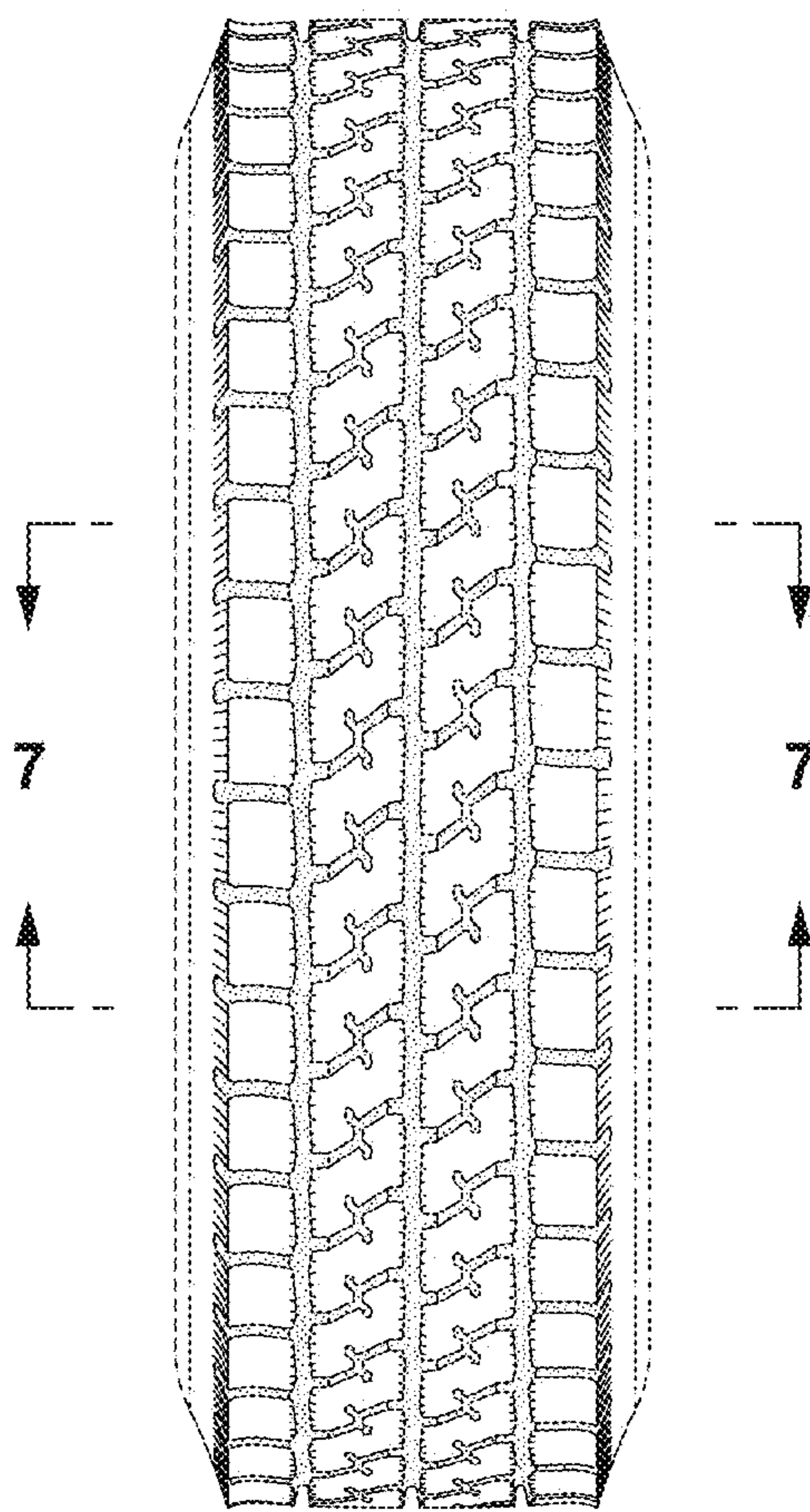




FIG. 3

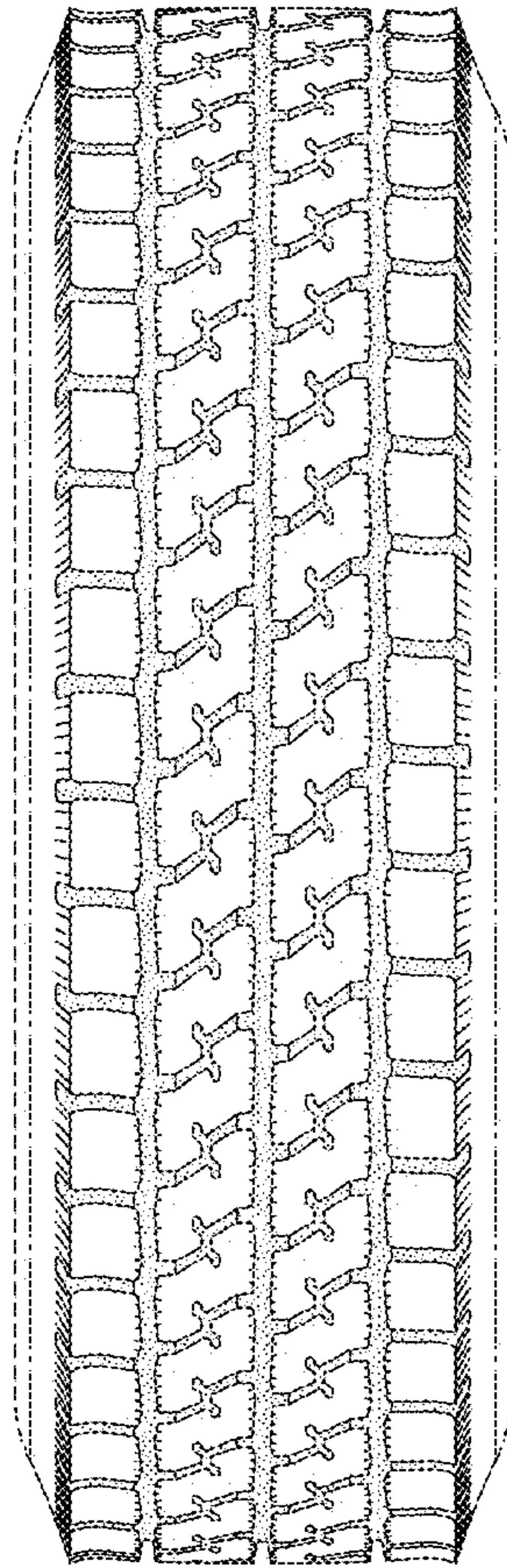


FIG. 4

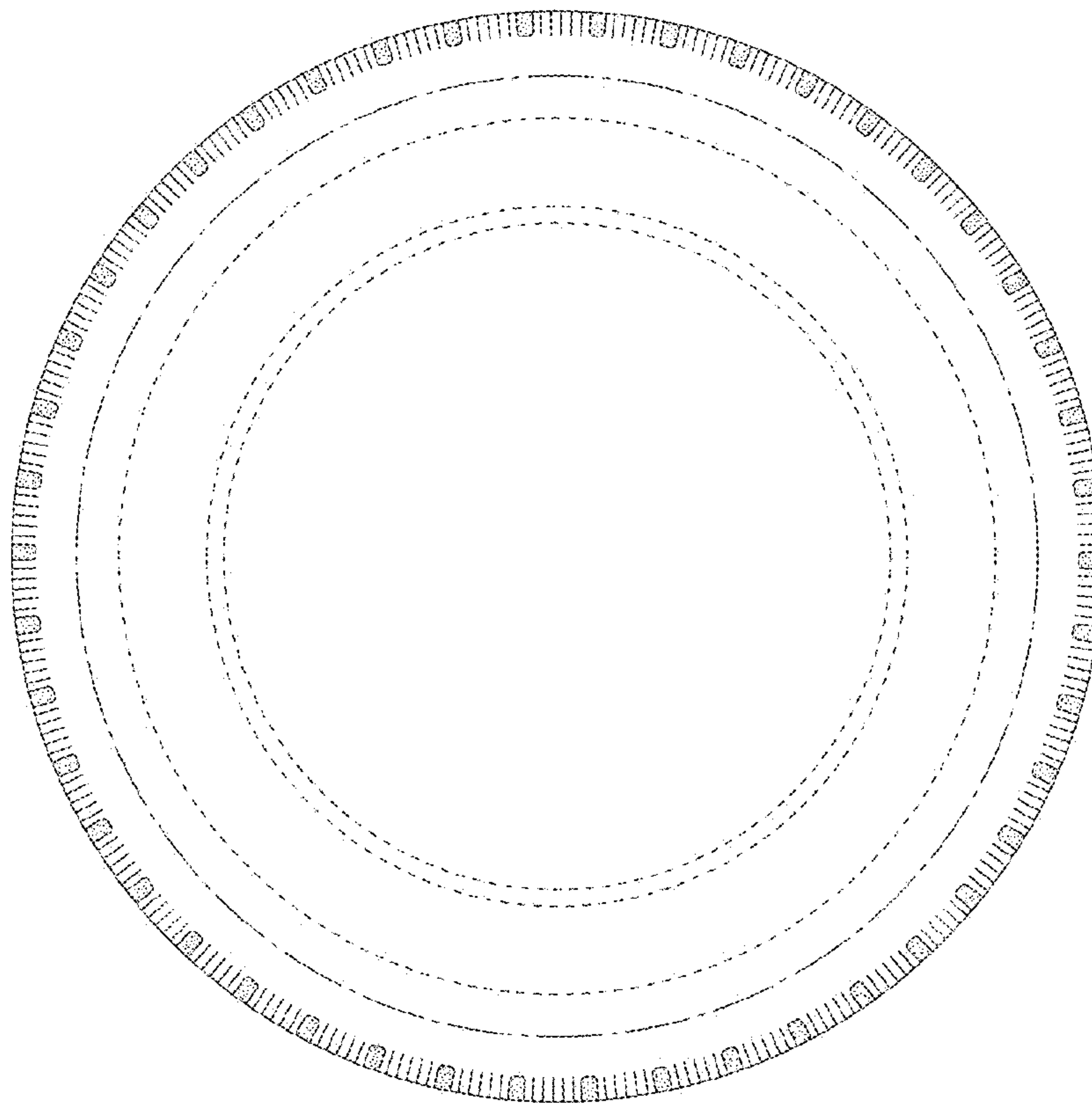


FIG. 5

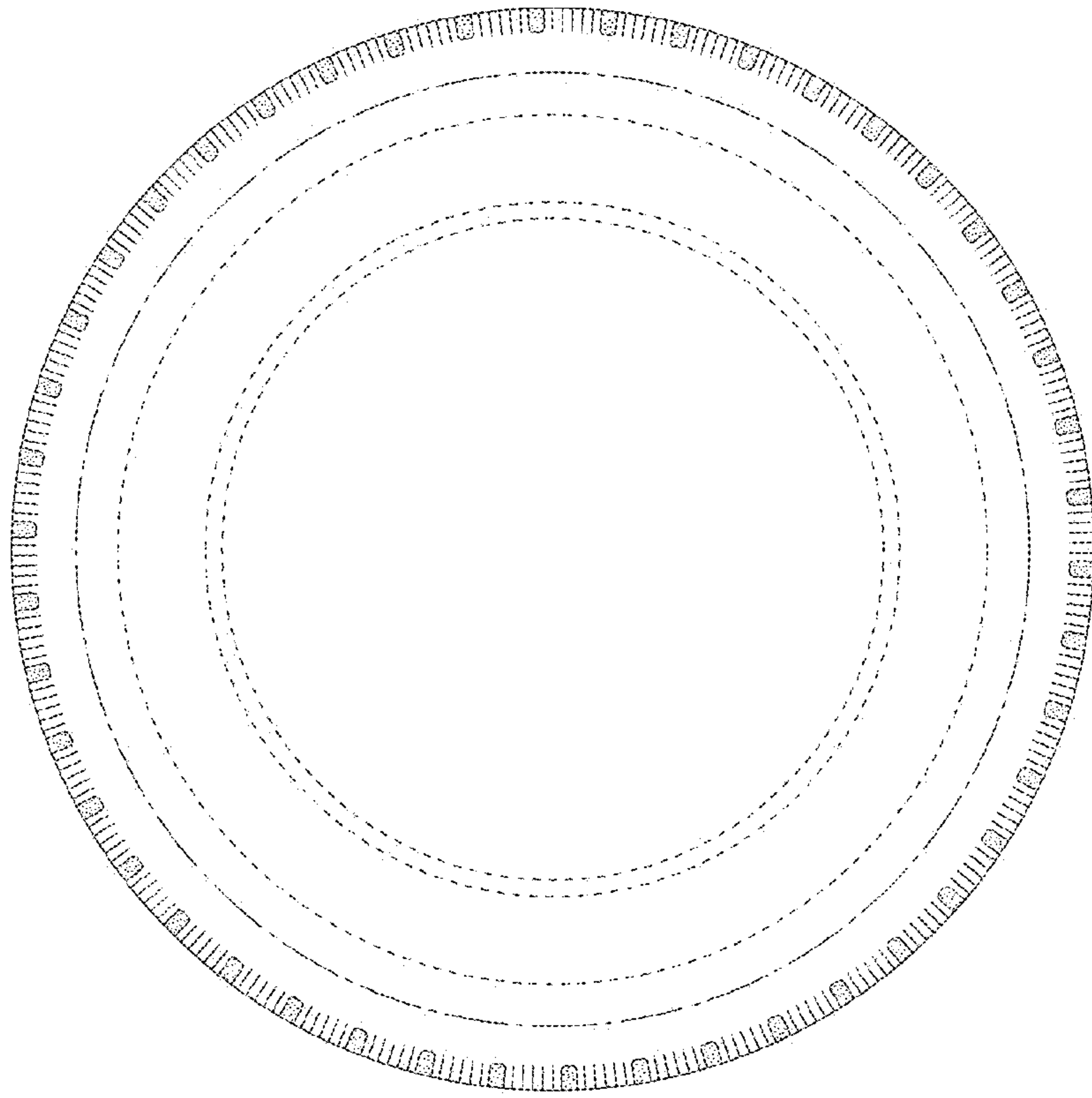


FIG. 6

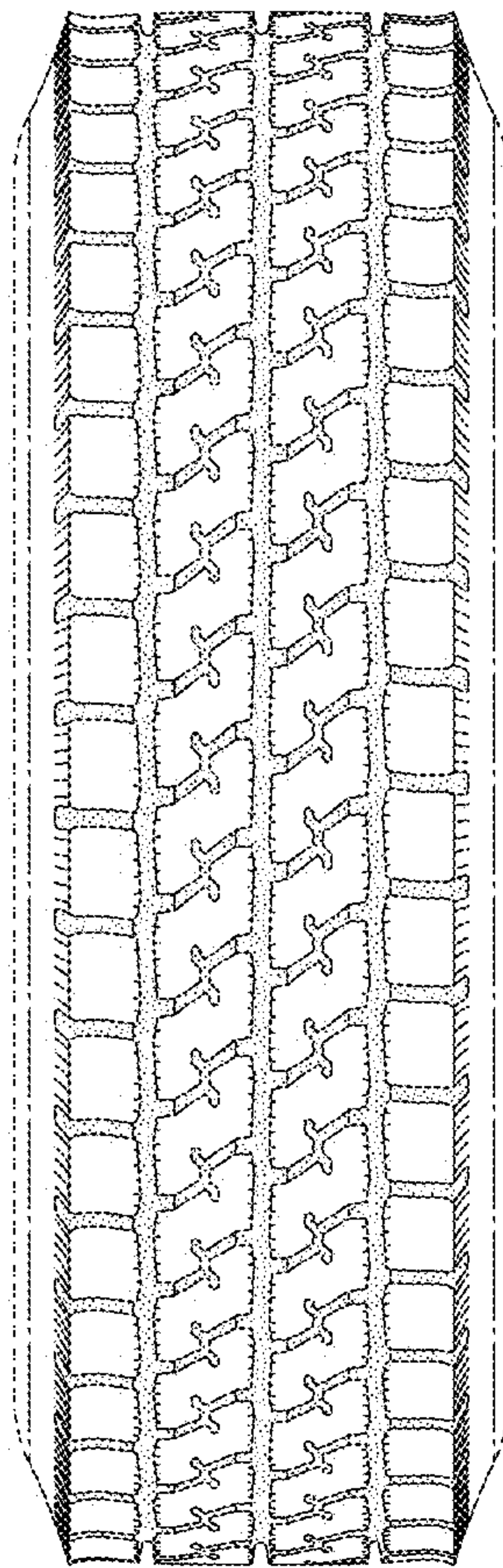


FIG. 7

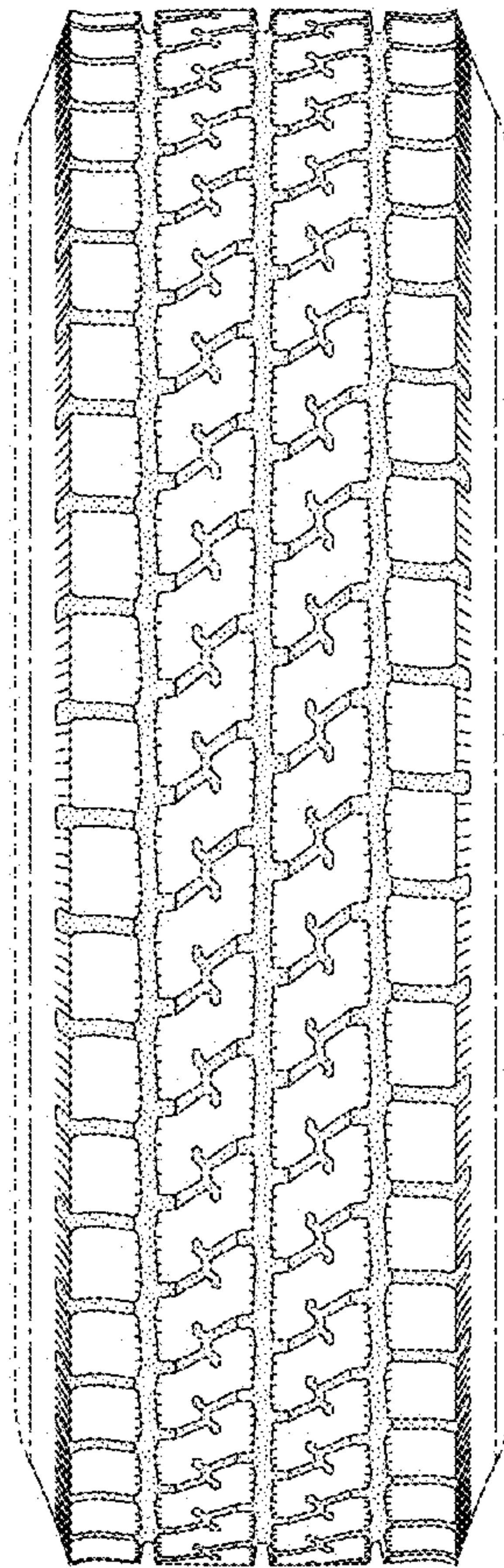




FIG. 8

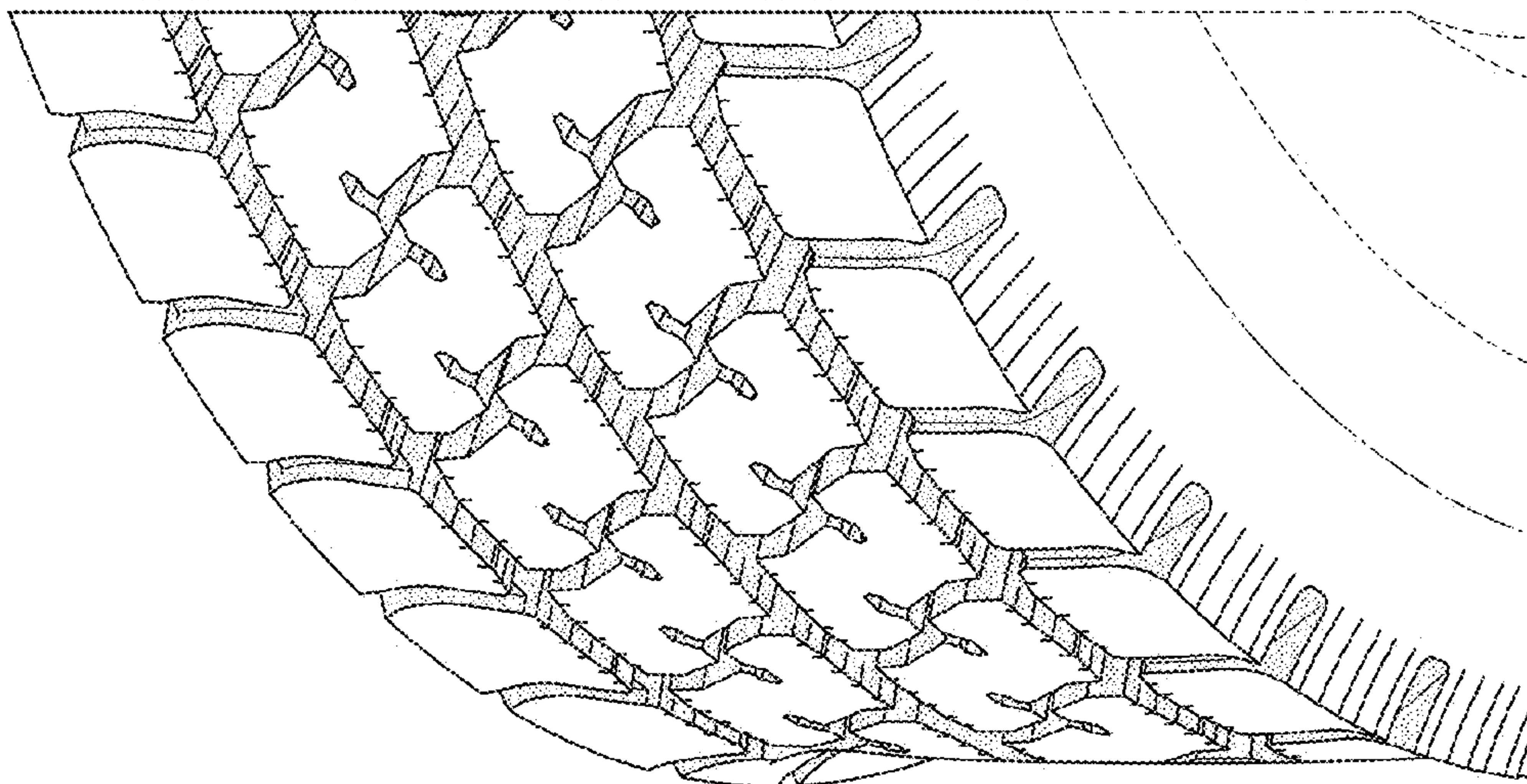


FIG. 9

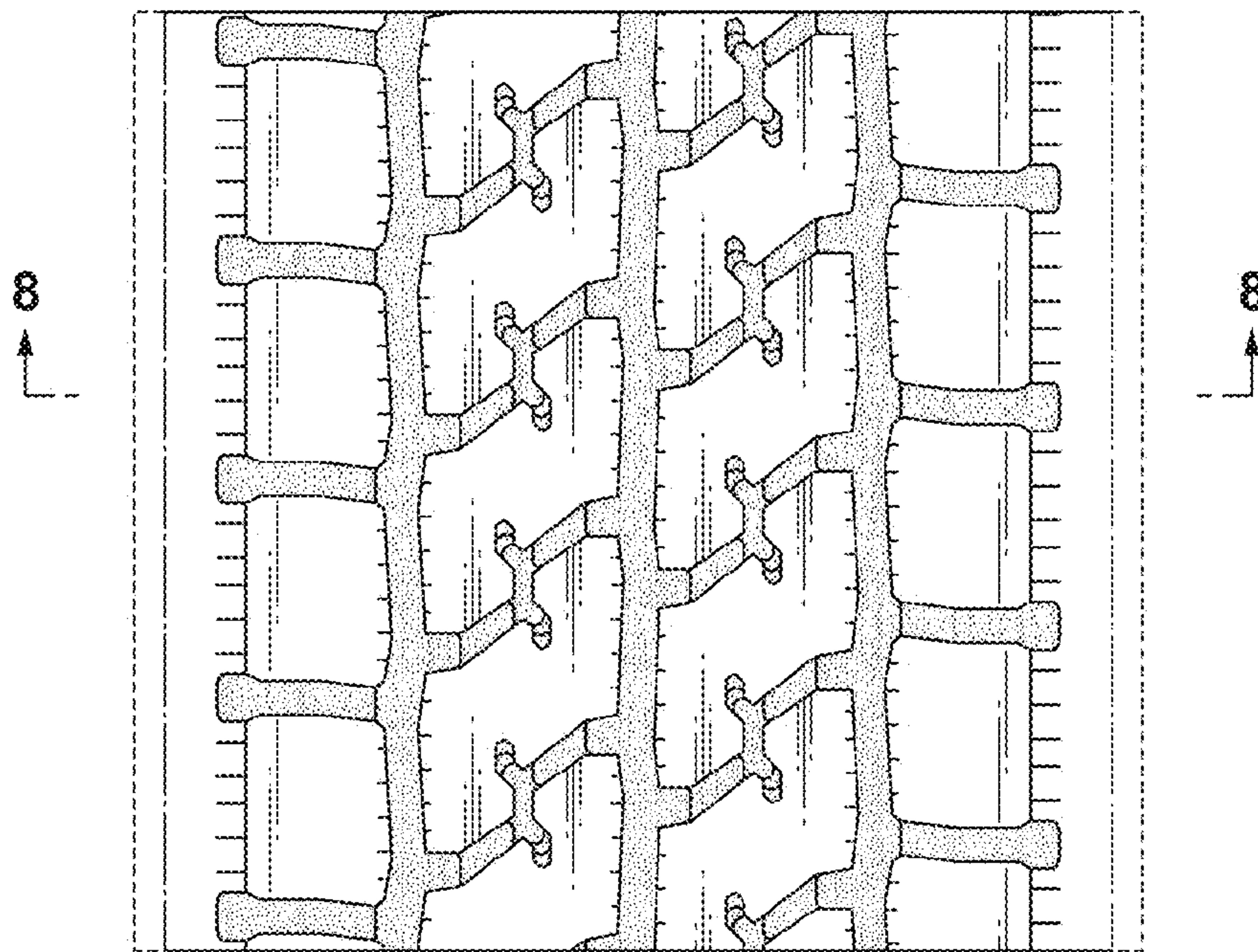


FIG. 10

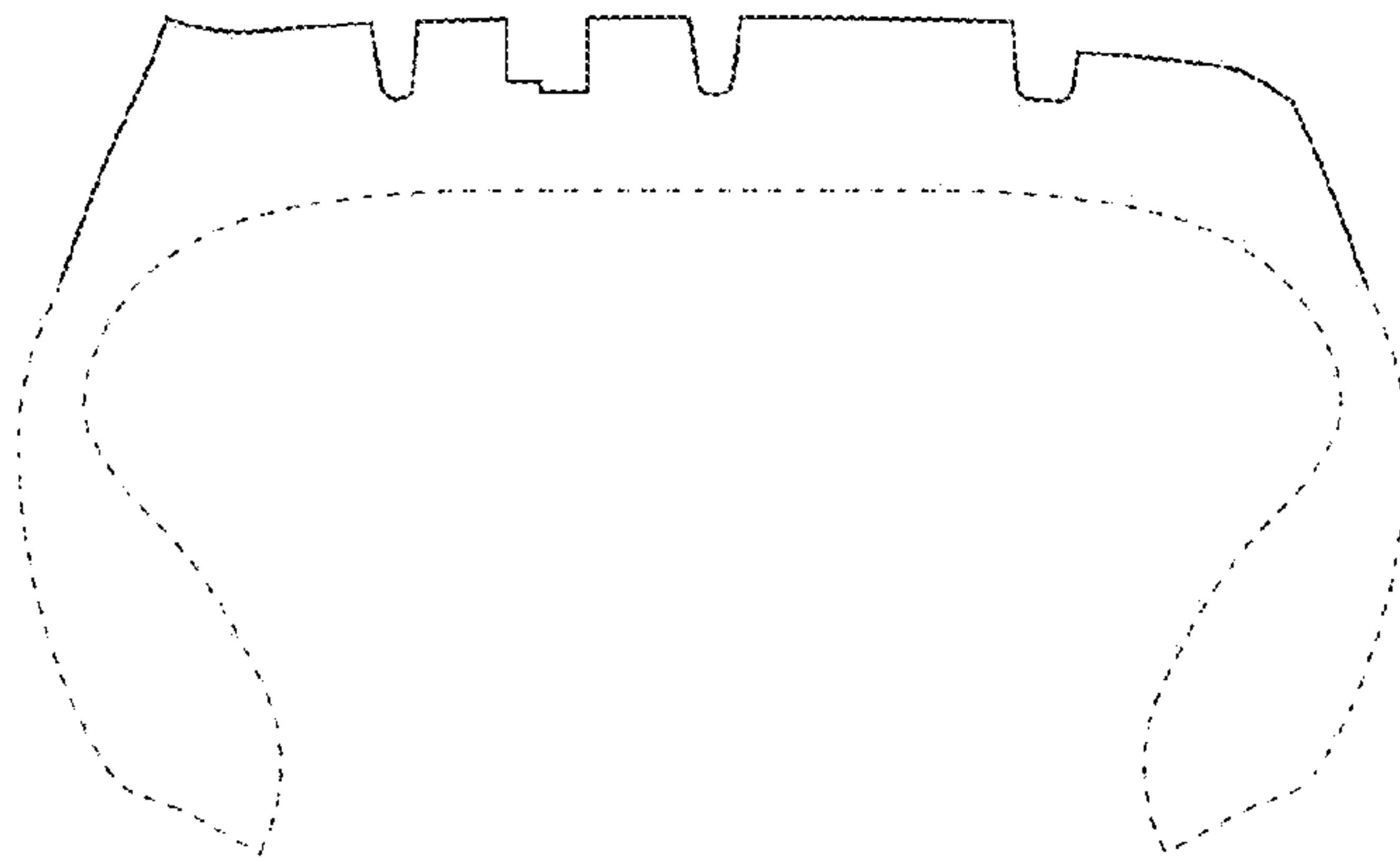


FIG. 11

