



US00D762551S

(12) **United States Design Patent**
Meckler et al.

(10) **Patent No.:** **US D762,551 S**

(45) **Date of Patent:** **** Aug. 2, 2016**

(54) **BICYCLE TOTE**

(56) **References Cited**

(71) Applicant: **CityBikeBasket LLC**, New York, NY
(US)

U.S. PATENT DOCUMENTS

1,802,509 A 4/1931 Hillyard
D135,108 S * 2/1943 White 220/555
2,697,460 A 12/1954 Barnett

(Continued)

(72) Inventors: **Alan M. Meckler**, New York, NY (US);
Evan Dierlam, New York, NY (US)

FOREIGN PATENT DOCUMENTS

(73) Assignee: **CityBikeBasket LLC**, New York, NY
(US)

CN 202476678 10/2012
CN 202827876 3/2013
WO 9113794 9/1991

OTHER PUBLICATIONS

(**) Term: **14 Years**

Citi Bike, Meet the Bike, Copyright 2013 NYC Bike Share, LLC. (10 pages).

(Continued)

(21) Appl. No.: **29/524,076**

(22) Filed: **Apr. 16, 2015**

Primary Examiner — Philip S Hyder
Assistant Examiner — Darlington Ly

(74) *Attorney, Agent, or Firm* — Michael D. Downs;
Fincham Downs, LLC

Related U.S. Application Data

(62) Division of application No. 29/488,152, filed on Apr. 16, 2014, now Pat. No. Des. 742,457.

(51) **LOC (10) Cl.** **12-16**

(52) **U.S. Cl.**
USPC **D12/407**

(58) **Field of Classification Search**

USPC D12/11-114, 406, 407, 408; 224/42.11,
224/42.13, 400, 412, 419-427; 280/202,
280/278, 282, 287, 281.1, 288.1-288.3, 62,
280/263, 270, 271, 259, 211; D3/213,
D3/304-315; D6/333-335, 511;
D9/424-425; D19/75, 86, 92;
D21/432, 435, 423; D32/37;
206/503-507, 510, 513, 518; 220/485,
220/675-676, 760, 762, 764, 768-769,
220/773; 446/440
CPC B62J 7/04; B62J 7/06; B62J 9/00;
B62J 9/001; B62J 9/003

See application file for complete search history.

(57) **CLAIM**

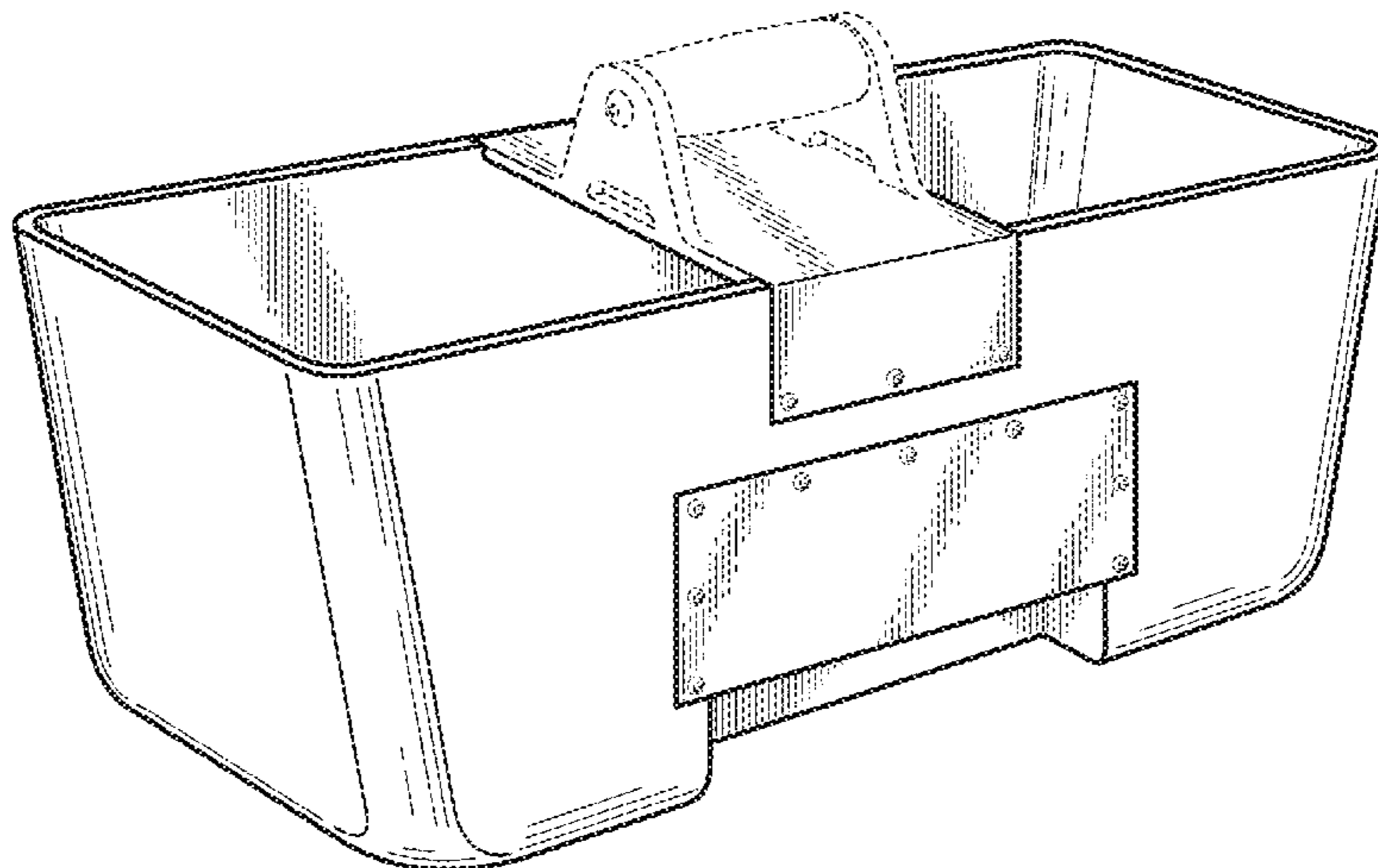
The ornamental design for a bicycle tote, as shown and described.

DESCRIPTION

FIG. 1 is a front and top perspective view of a bicycle tote in accordance with our invention and shown with an environmental handle structure and bicycle installation; FIG. 2 is a rear and top perspective view thereof; FIG. 3 is a left-side elevation view thereof; FIG. 4 is a right-side elevation view thereof; FIG. 5 is a rear elevation view thereof; FIG. 6 is a front elevation view thereof; FIG. 7 is a top plan view thereof; and, FIG. 8 is a bottom plan view thereof.

The broken lines showing the bicycle and handle structure are provided for the purpose of illustrating environmental structures and form no part of the claimed design. Furthermore, the broken line showing the rivets/bolts illustrate portions of the article that form no part of the claimed design.

1 Claim, 4 Drawing Sheets



(56)

References Cited

U.S. PATENT DOCUMENTS

3,695,496 A * 10/1972 Humlong B62J 9/003
224/420
D237,483 S * 11/1975 Utiz D12/407
3,995,803 A * 12/1976 Uitz B62J 7/06
224/417
4,003,508 A 1/1977 Hoops
D259,099 S * 5/1981 Davis D3/309
4,390,088 A 6/1983 Brenner
4,730,758 A * 3/1988 McMurtrey B62D 7/06
224/417
D326,550 S * 5/1992 Waterman D3/304
5,282,554 A * 2/1994 Thomas B62J 7/06
224/421
5,353,973 A 10/1994 McMurtrey
5,406,816 A 4/1995 Thomas
D364,272 S * 11/1995 Brightbill D3/312
D400,355 S * 11/1998 Apenes D3/309
D404,571 S * 1/1999 Evans D3/312
D497,253 S * 10/2004 Alves D3/309
D509,063 S * 9/2005 Giampavolo D3/314
D594,812 S * 6/2009 Helgerson D12/407
D611,709 S * 3/2010 Ceravolo D3/304
D626,493 S * 11/2010 Dallaire D12/407

8,074,852 B2 12/2011 Crum, Jr. et al.
8,322,583 B2 12/2012 Crum, Jr. et al.
D676,370 S * 2/2013 Pawsat D12/223
D687,148 S * 7/2013 Knieriem D24/185
D716,553 S * 11/2014 Wang D3/307
D722,946 S * 2/2015 Armstrong D12/407
2010/0133309 A1 * 6/2010 Lee B62J 7/04
224/420
2012/0152993 A1 * 6/2012 Chen B62J 9/00
224/419
2013/0233755 A1 9/2013 Lampe
2013/0263896 A1 10/2013 Garnett

OTHER PUBLICATIONS

Bike World, Axiom QR Dual-Function Premium Pet Basket, San Antonio, Texas, Feb. 13, 2014. (5 pages).
Notice of Allowance for U.S. Pat. No. D742,457 dated Jun. 19, 2015; 7 pps.
Office Action for U.S. Pat. No. D742,457 dated Jan. 22, 2015; 6 pps.
Notice of Allowance for U.S. Appl. No. 29/524,074 dated Mar. 23, 2016; 9 pages.
Office Action for U.S. Appl. No. 29/524,079 dated May 19, 2016; 6 pages.

* cited by examiner

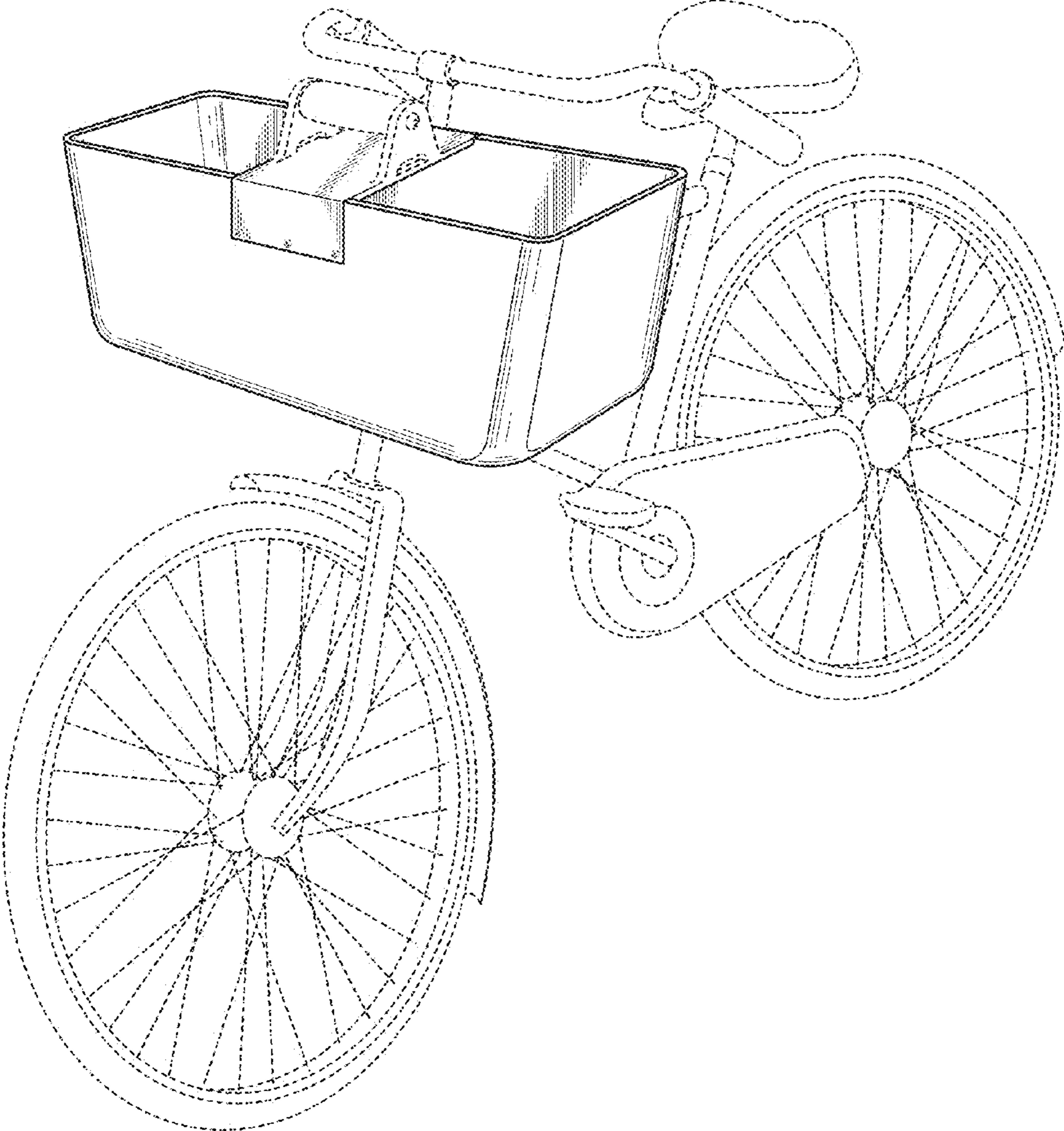


FIG. 1

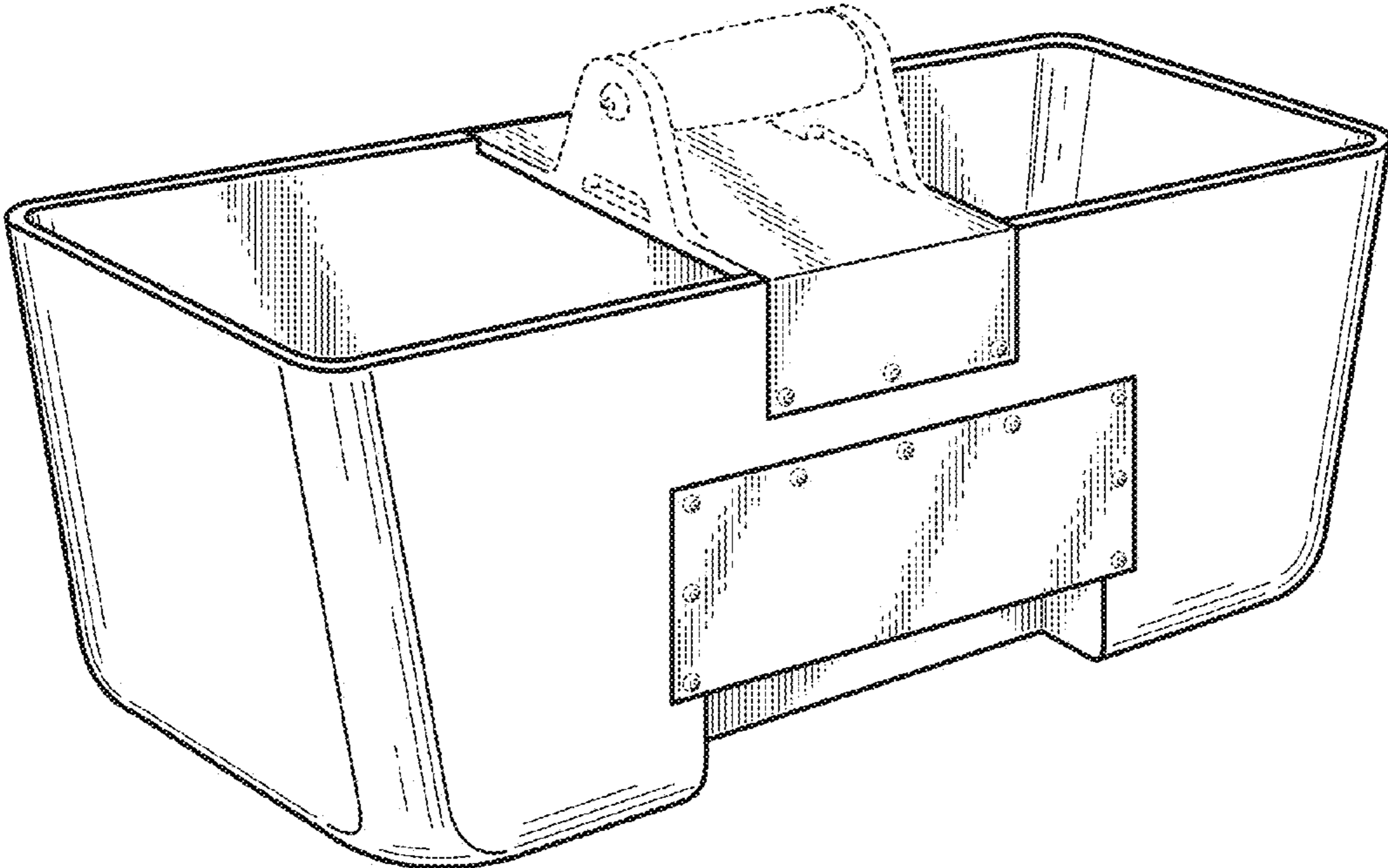


FIG. 2

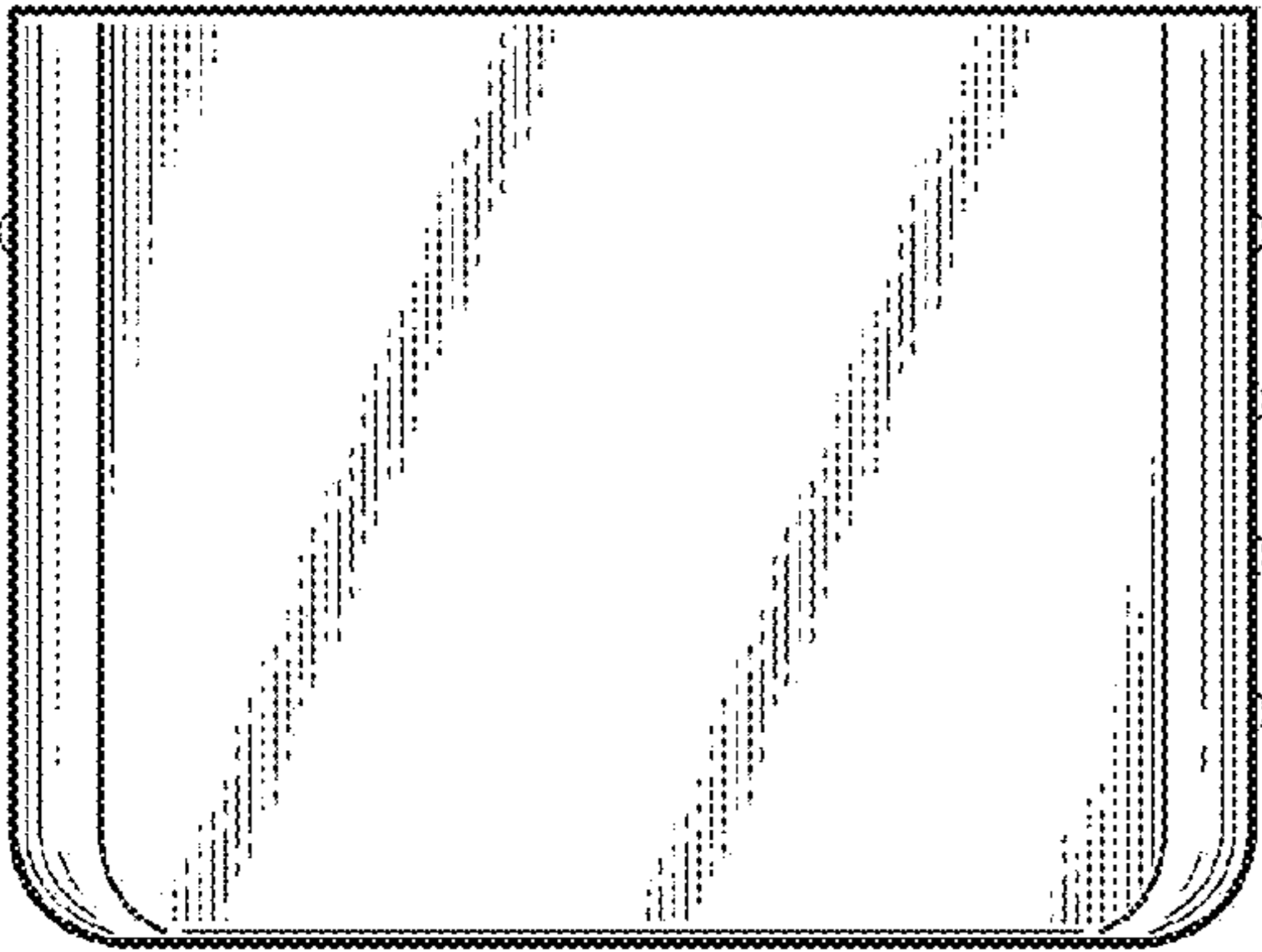


FIG. 3

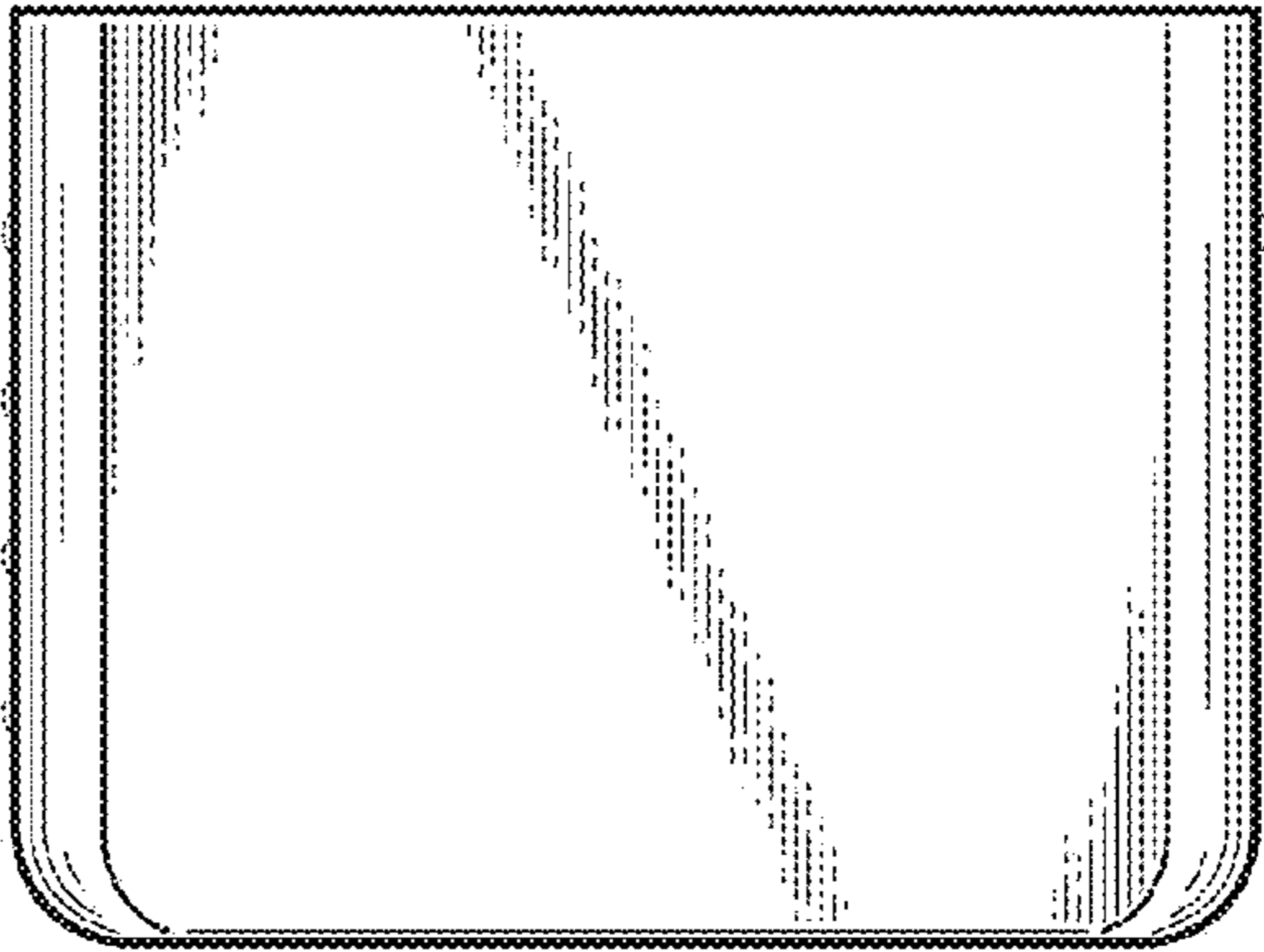


FIG. 4

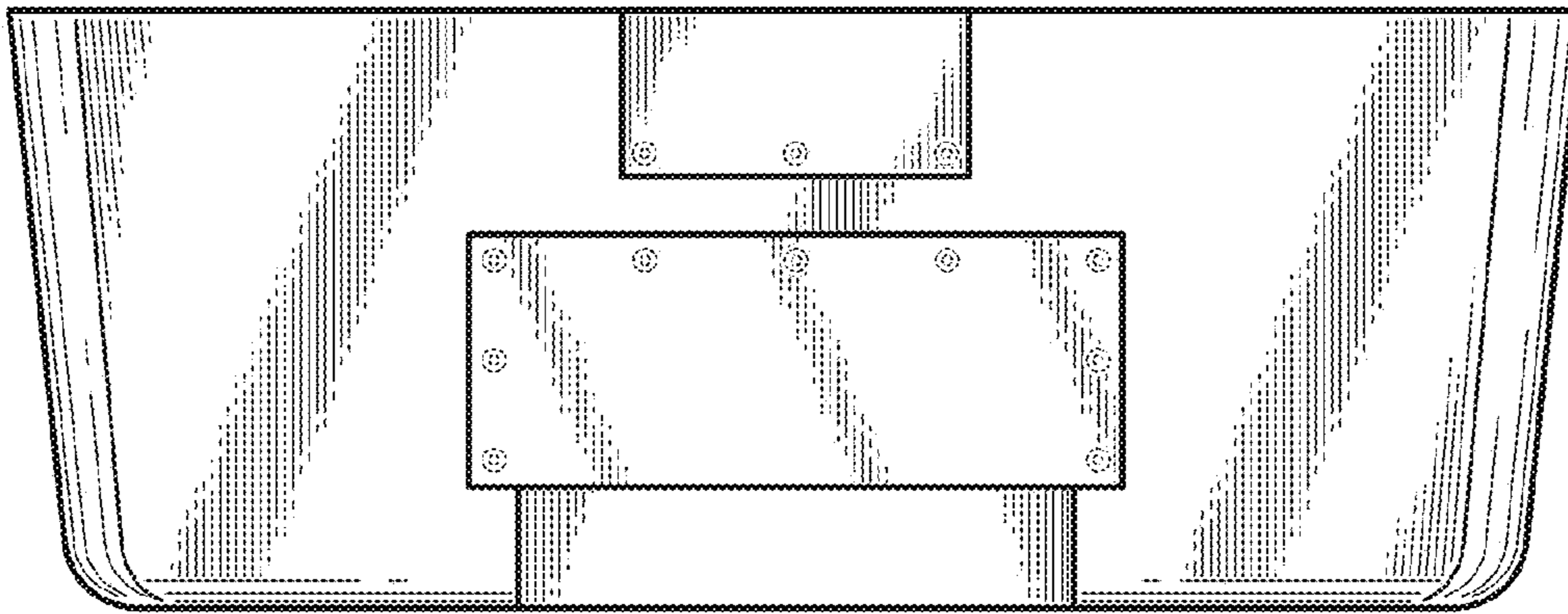


FIG. 5

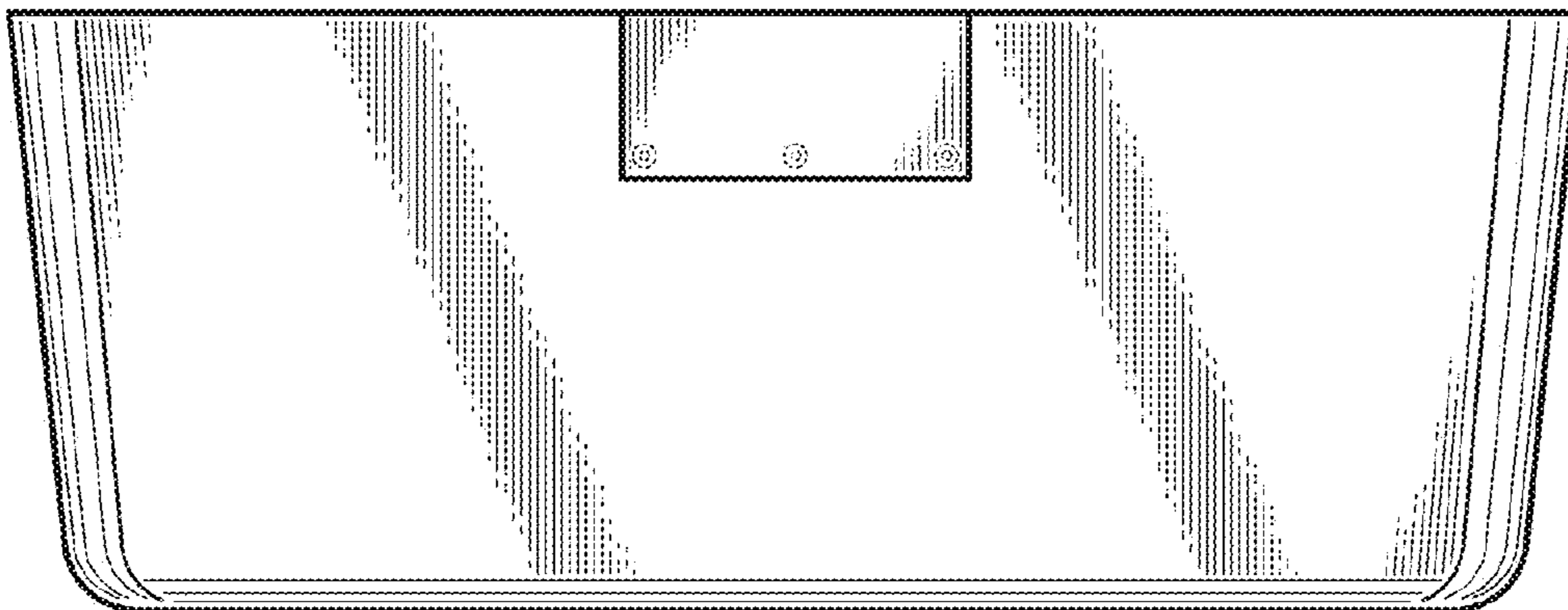


FIG. 6

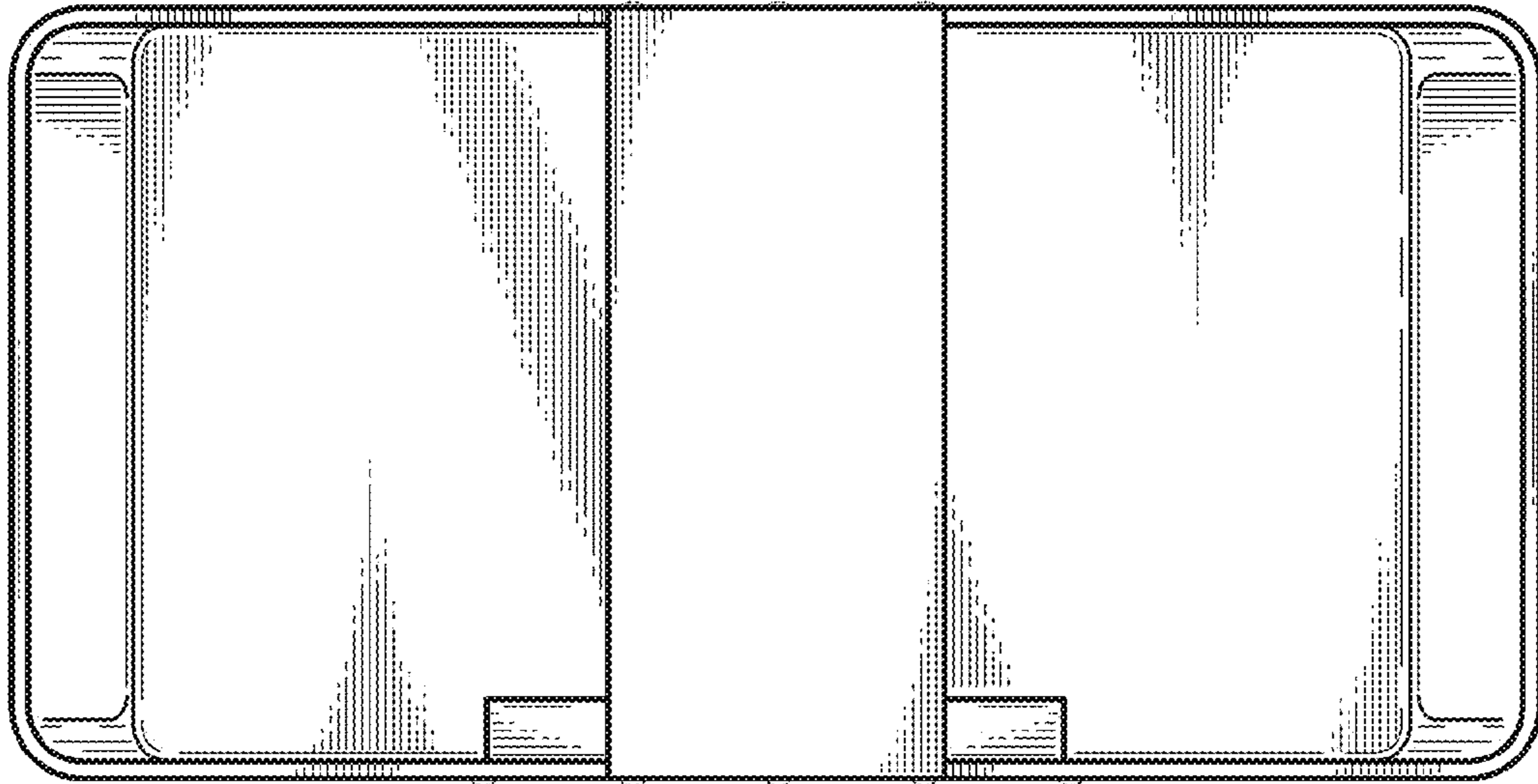


FIG. 7

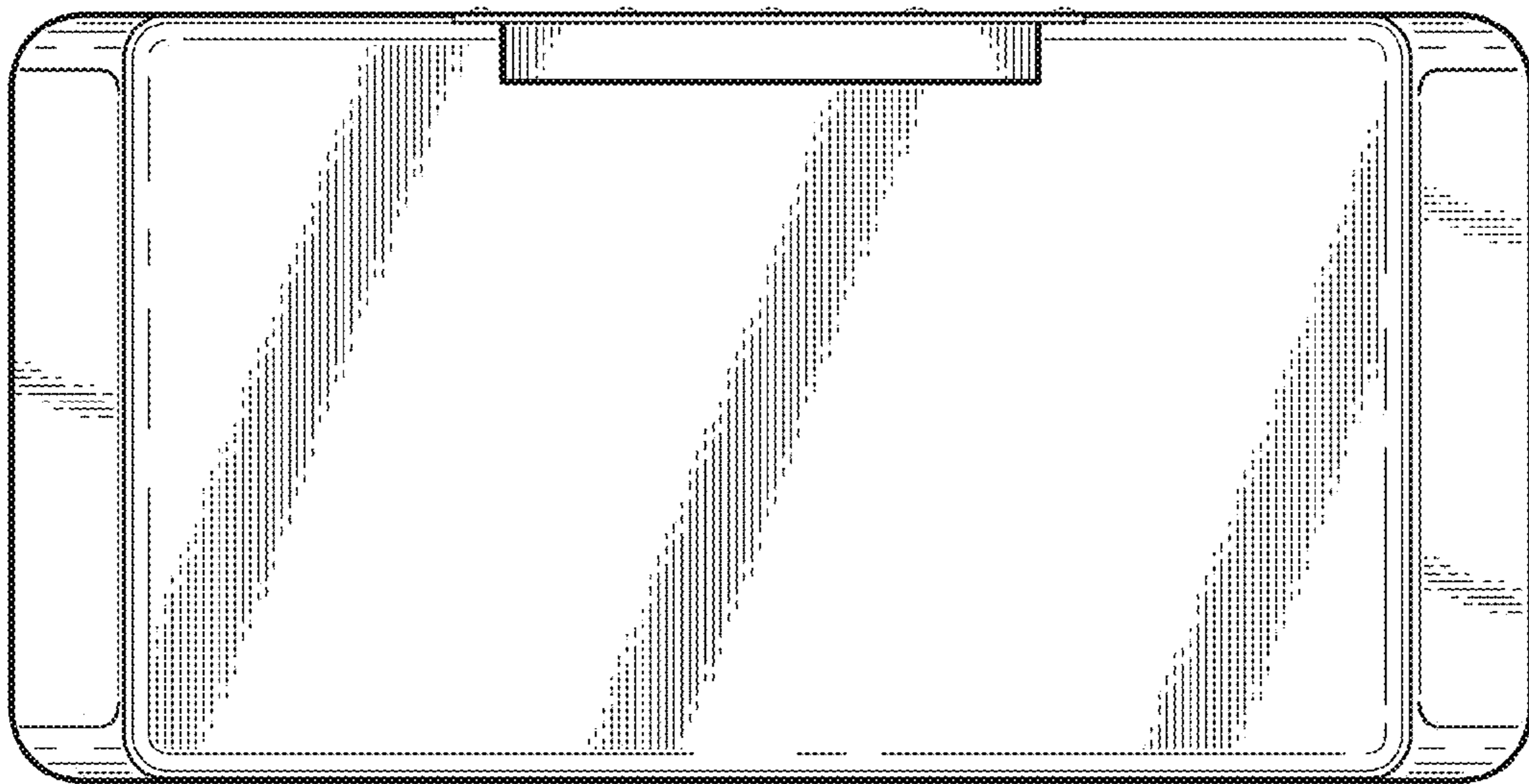


FIG. 8