



US00D762550S

(12) **United States Design Patent**  
**Meckler et al.**

(10) **Patent No.:** **US D762,550 S**  
(45) **Date of Patent:** **\*\* Aug. 2, 2016**

(54) **BICYCLE TOTE**

- (71) Applicant: **CityBikeBasket LLC**, New York, NY (US)
- (72) Inventors: **Alan M. Meckler**, New York, NY (US);  
**Evan Dierlam**, New York, NY (US)
- (73) Assignee: **CityBikeBasket LLC**, New York, NY (US)
- (\*\*) Term: **14 Years**
- (21) Appl. No.: **29/524,074**
- (22) Filed: **Apr. 16, 2015**

**Related U.S. Application Data**

- (62) Division of application No. 29/488,152, filed on Apr. 16, 2014, now Pat. No. Des. 742,457.
- (51) **LOC (10) Cl.** ..... **12-16**
- (52) **U.S. Cl.**  
USPC ..... **D12/407**
- (58) **Field of Classification Search**  
USPC ..... D12/11-114, 406, 407, 408; 224/42.11, 224/42.13, 400, 412, 419-427; 280/202, 280/278, 282, 287, 281.1, 288.1-288.3, 62, 280/263, 270, 271, 259, 211; D3/213, D3/304-315; D6/333-335, 511; D9/424-425; D19/75, 86, 92; D21/432, 435, 423; D32/37; 206/503-507, 510, 513, 518; 220/485, 220/675-676, 760, 762, 764, 768-769, 220/773; 446/440  
CPC ..... B62J 7/04; B62J 7/06; B62J 9/00; B62J 9/001; B62J 9/003  
See application file for complete search history.

(56) **References Cited**

**U.S. PATENT DOCUMENTS**

- 1,802,509 A 4/1931 Hillyard
  - D135,108 S \* 2/1943 White ..... 220/555
- (Continued)

**FOREIGN PATENT DOCUMENTS**

- CN 202476678 10/2012
- CN 202827876 3/2013
- WO 9113794 9/1991

**OTHER PUBLICATIONS**

Citi Bike, Meet the Bike, Copyright 2013 NYC Bike Share, LLC. (10 pages).

(Continued)

*Primary Examiner* — Philip S Hyder  
*Assistant Examiner* — Darlington Ly

(74) *Attorney, Agent, or Firm* — Michael D. Downs; Fincham Downs, LLC

(57) **CLAIM**

The ornamental design for a bicycle tote, as shown and described.

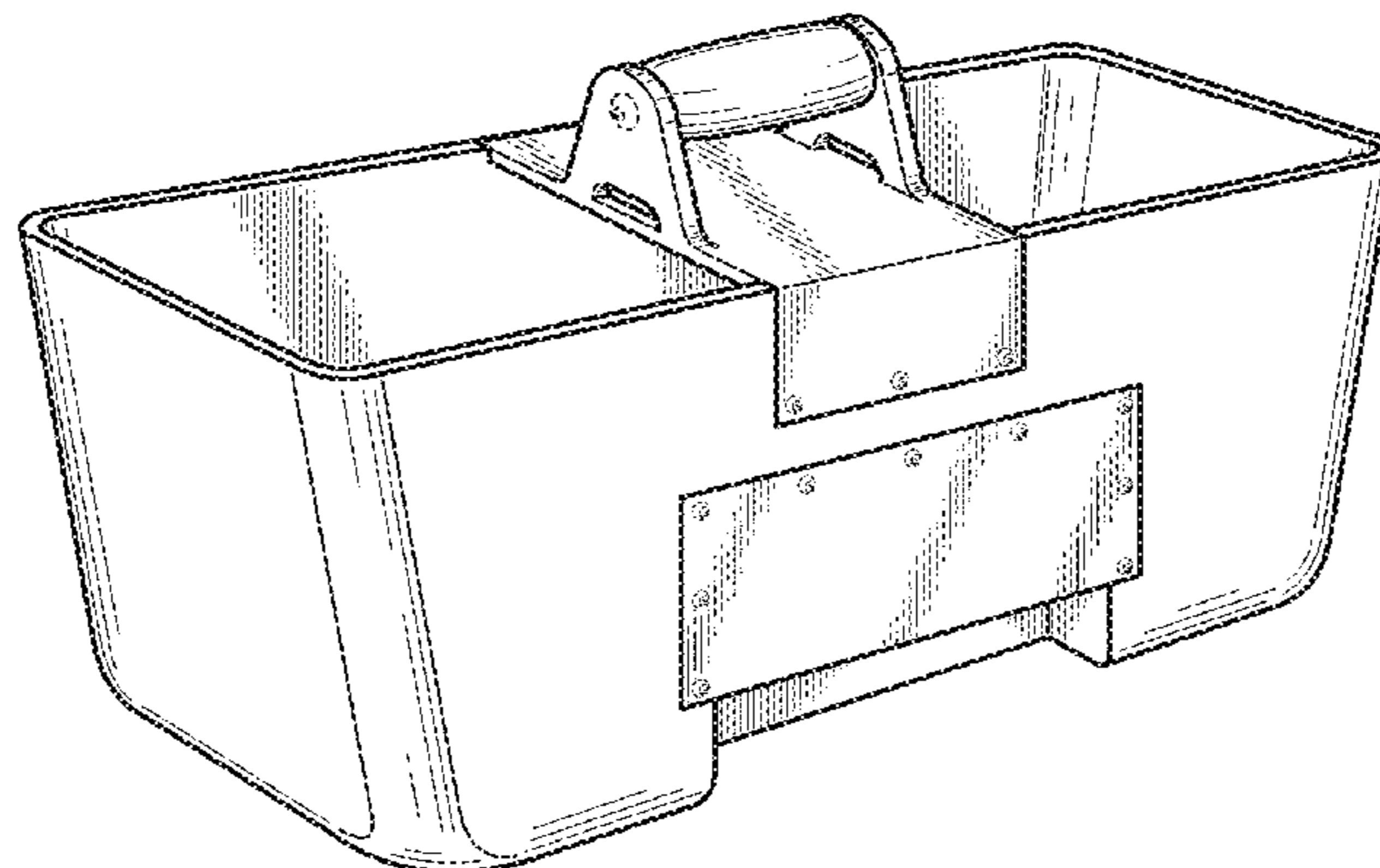
**DESCRIPTION**

This application further relates to, claims priority to and the benefit of, and incorporates by reference herein U.S. patent application Ser. No. 29/524,076, filed on Apr. 16, 2015, titled "Bicycle Tote;" and U.S. patent application Ser. No. 14/688,289, filed on Apr. 16, 2015, titled "Bicycle Supplemental Carrier Container and Associated Methods."

FIG. 1 is a front and top perspective view of a bicycle tote in accordance with a first embodiment of our invention and shown with an environmental bicycle installation;  
 FIG. 2 is a rear and top perspective view thereof;  
 FIG. 3 is a left-side elevation view thereof;  
 FIG. 4 is a right-side elevation view thereof;  
 FIG. 5 is a rear elevation view thereof;  
 FIG. 6 is a front elevation view thereof;  
 FIG. 7 is a top plan view thereof;  
 FIG. 8 is a bottom plan view thereof;  
 FIG. 9 is a front and top perspective view of a bicycle tote in accordance with a second embodiment of our invention and shown with an environmental bicycle installation;  
 FIG. 10 is a rear and top perspective view of FIG. 9;  
 FIG. 11 is a left-side elevation view of FIG. 9;  
 FIG. 12 is a right-side elevation view of FIG. 9;  
 FIG. 13 is a rear elevation view of FIG. 9;  
 FIG. 14 is a front elevation view of FIG. 9;  
 FIG. 15 is a top plan view of FIG. 9; and,  
 FIG. 16 is a bottom plan view of FIG. 9.

The broken lines showing the bicycle are provided for the purpose of illustrating environmental structure and form no part of the claimed design. Furthermore, the broken lines showing elements of the bicycle tote illustrate portions of the article that form no part of the claimed design.

**1 Claim, 8 Drawing Sheets**



(56)

References Cited

U.S. PATENT DOCUMENTS

2,697,460 A 12/1954 Barnett  
 3,695,496 A \* 10/1972 Humlong ..... B62J 9/003  
 224/420  
 D237,483 S \* 11/1975 Uitz et al. .... D12/407  
 3,995,803 A \* 12/1976 Uitz ..... B62J 7/06  
 224/417  
 4,003,508 A 1/1977 Hoops  
 D259,099 S \* 5/1981 Davis ..... D3/309  
 4,390,088 A 6/1983 Brenner  
 4,730,758 A \* 3/1988 McMurtrey ..... B62J 7/06  
 224/417  
 D326,550 S \* 5/1992 Waterman ..... D3/304  
 5,282,554 A \* 2/1994 Thomas ..... B62J 7/06  
 224/421  
 5,353,973 A 10/1994 McMurtrey  
 5,406,816 A 4/1995 Thomas  
 D364,272 S \* 11/1995 Brightbill ..... D3/312  
 D400,355 S \* 11/1998 Apenes ..... D3/309  
 D404,571 S \* 1/1999 Evans ..... D3/312  
 D497,253 S \* 10/2004 Alves ..... D3/309  
 D509,063 S \* 9/2005 Giampavolo ..... D3/314  
 D594,812 S \* 6/2009 Helgerson ..... D12/407  
 D611,709 S \* 3/2010 Ceravolo ..... D3/304

D626,493 S \* 11/2010 Dallaire ..... D12/407  
 8,074,852 B2 12/2011 Crum, Jr. et al.  
 8,322,583 B2 12/2012 Crum, Jr. et al.  
 D676,370 S \* 2/2013 Pawsat ..... D12/223  
 D687,148 S \* 7/2013 Knieriem ..... D24/185  
 D716,553 S \* 11/2014 Wang ..... D3/307  
 D722,946 S \* 2/2015 Armstrong ..... D12/407  
 2010/0133309 A1 \* 6/2010 Lee ..... B62J 7/04  
 224/420  
 2012/0152993 A1 \* 6/2012 Chen ..... B62J 9/00  
 224/419  
 2013/0233755 A1 9/2013 Lampe  
 2013/0263896 A1 10/2013 Garnett

OTHER PUBLICATIONS

Bike World, Axiom QR Dual-Function Premium Pet Basket, San Antonio, Texas, Feb. 13, 2014. (5 pages).  
 Notice of Allowance for U.S. Pat. No. D742,457 dated Jun. 19, 2015; 7 pps.  
 Office Action for U.S. Pat. No. D742,457 dated Jan. 22, 2015; 6 pps.  
 Notice of Allowance for U.S. Appl. No. 29/524,076 dated Mar. 29, 2016; 8 pages.  
 Office Action for U.S. Appl. No. 29/524,079 dated May 19, 2016; 6 pages.

\* cited by examiner

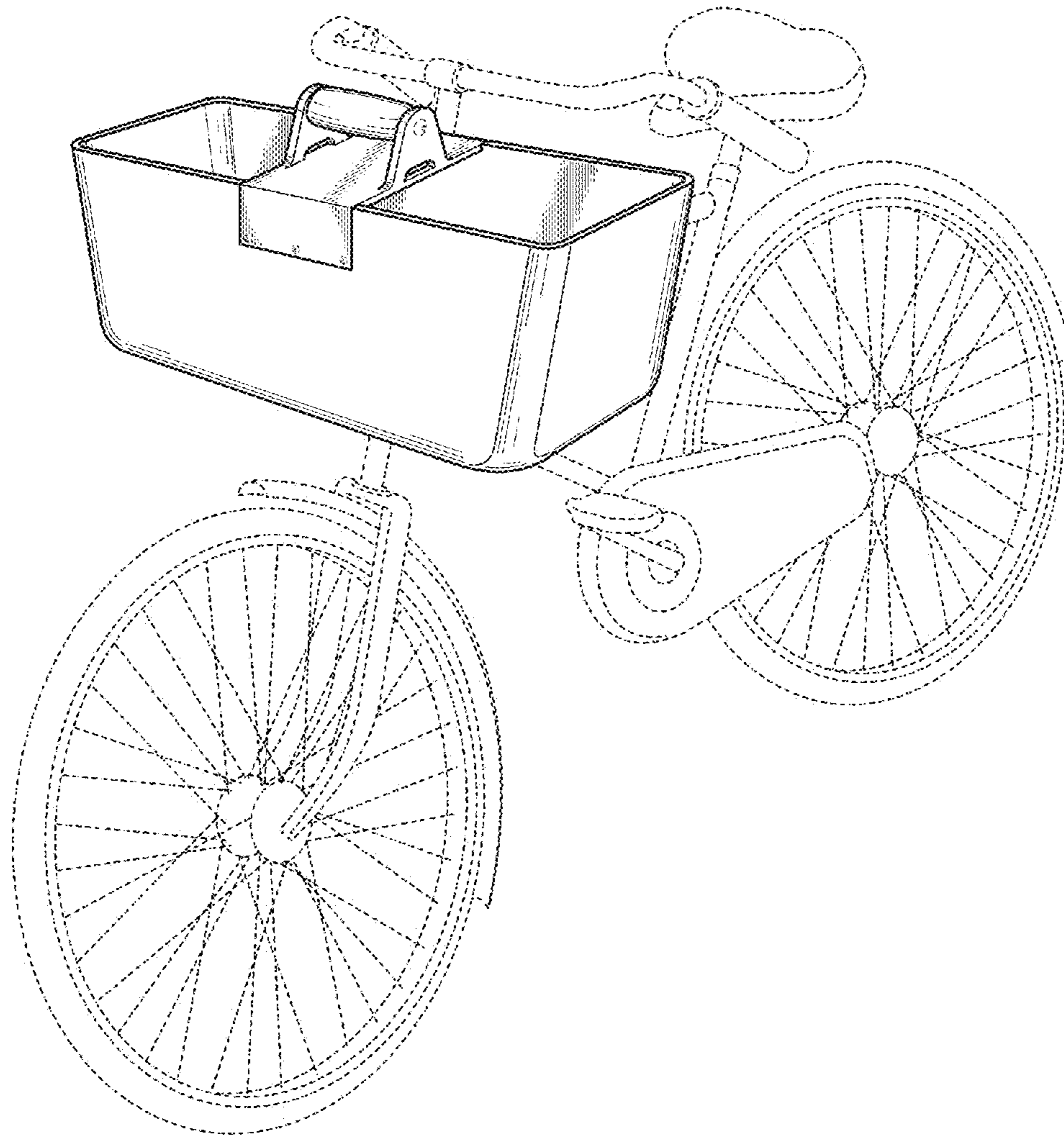


FIG. 1

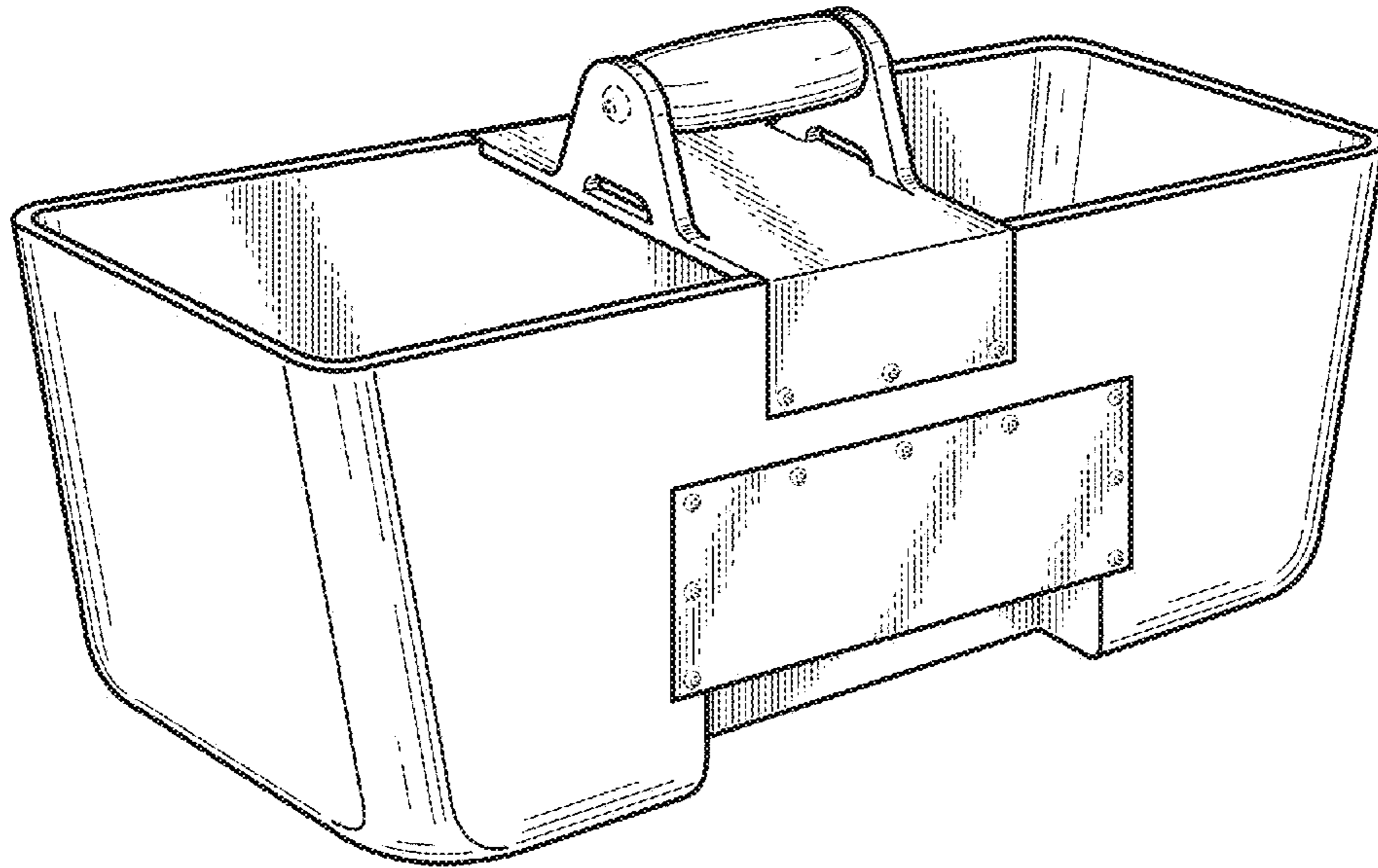


FIG. 2



FIG. 3

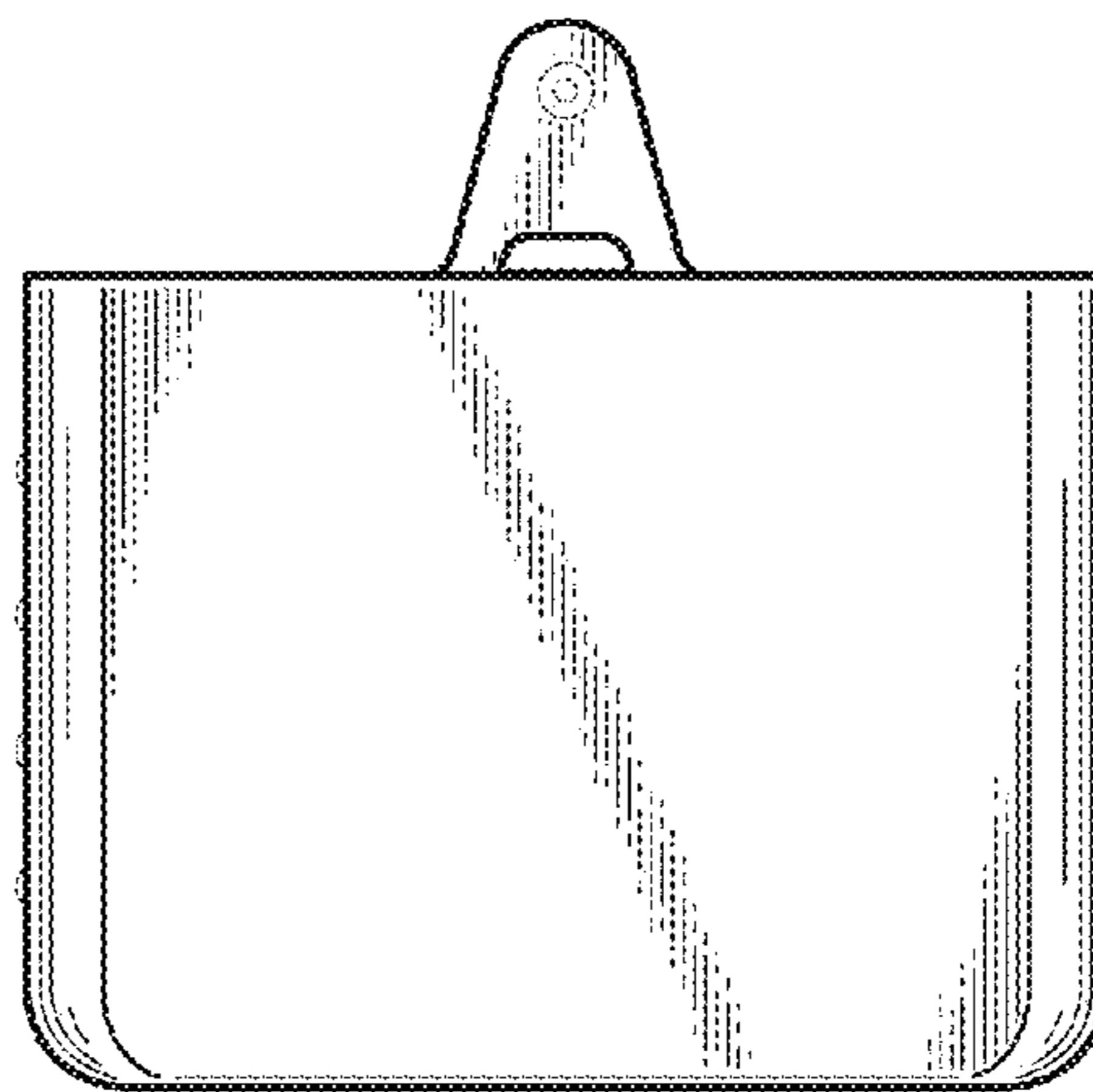


FIG. 4

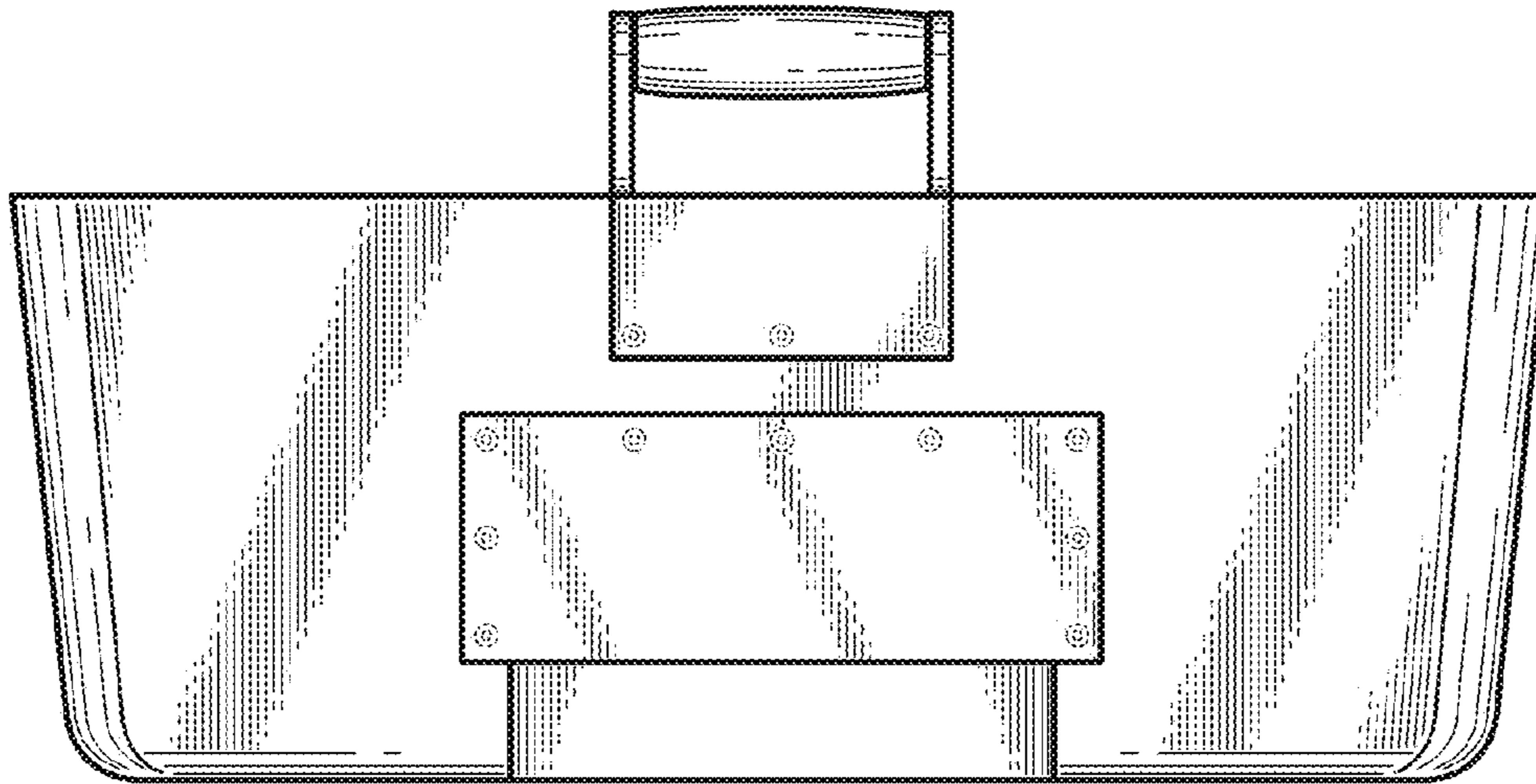


FIG. 5

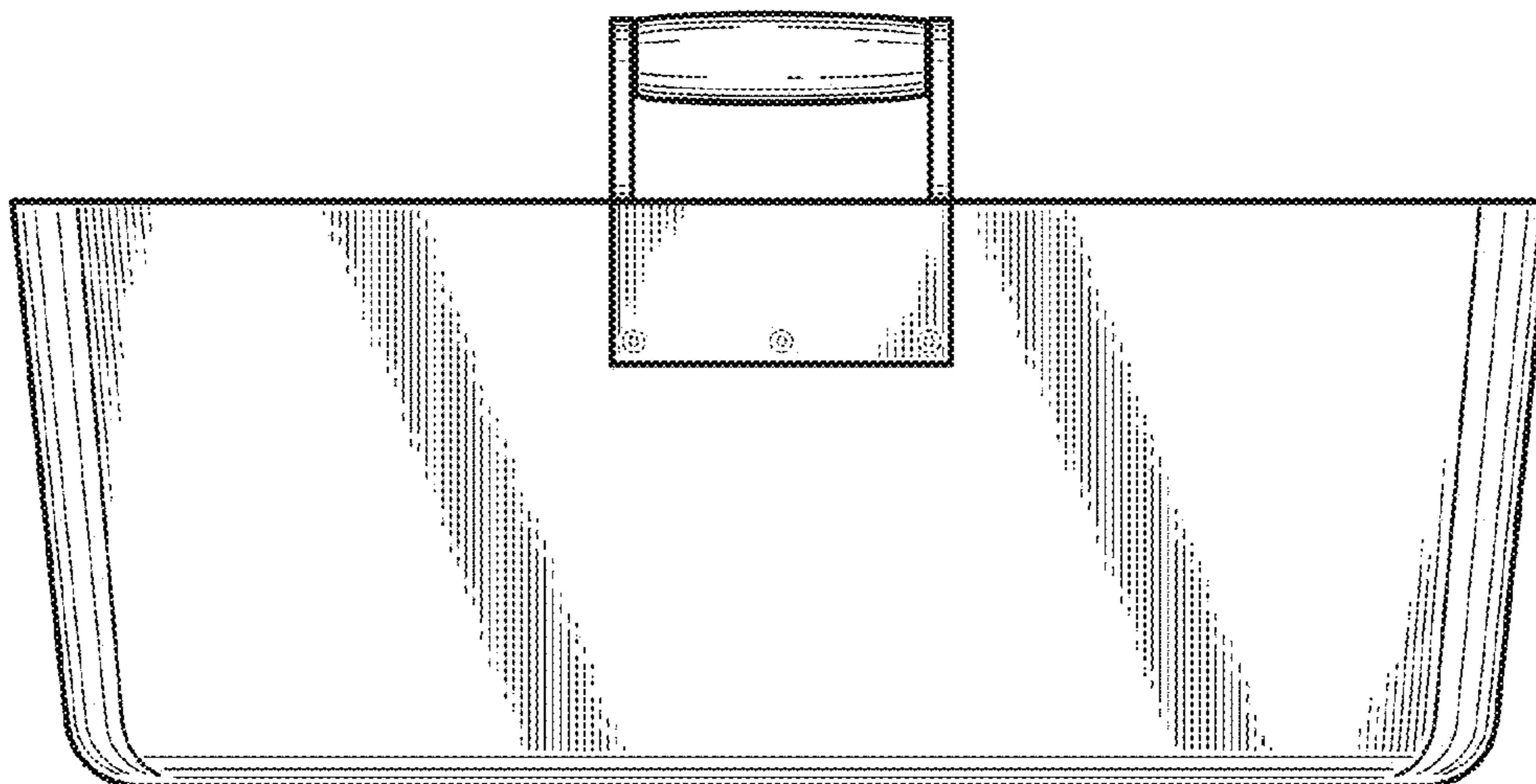


FIG. 6

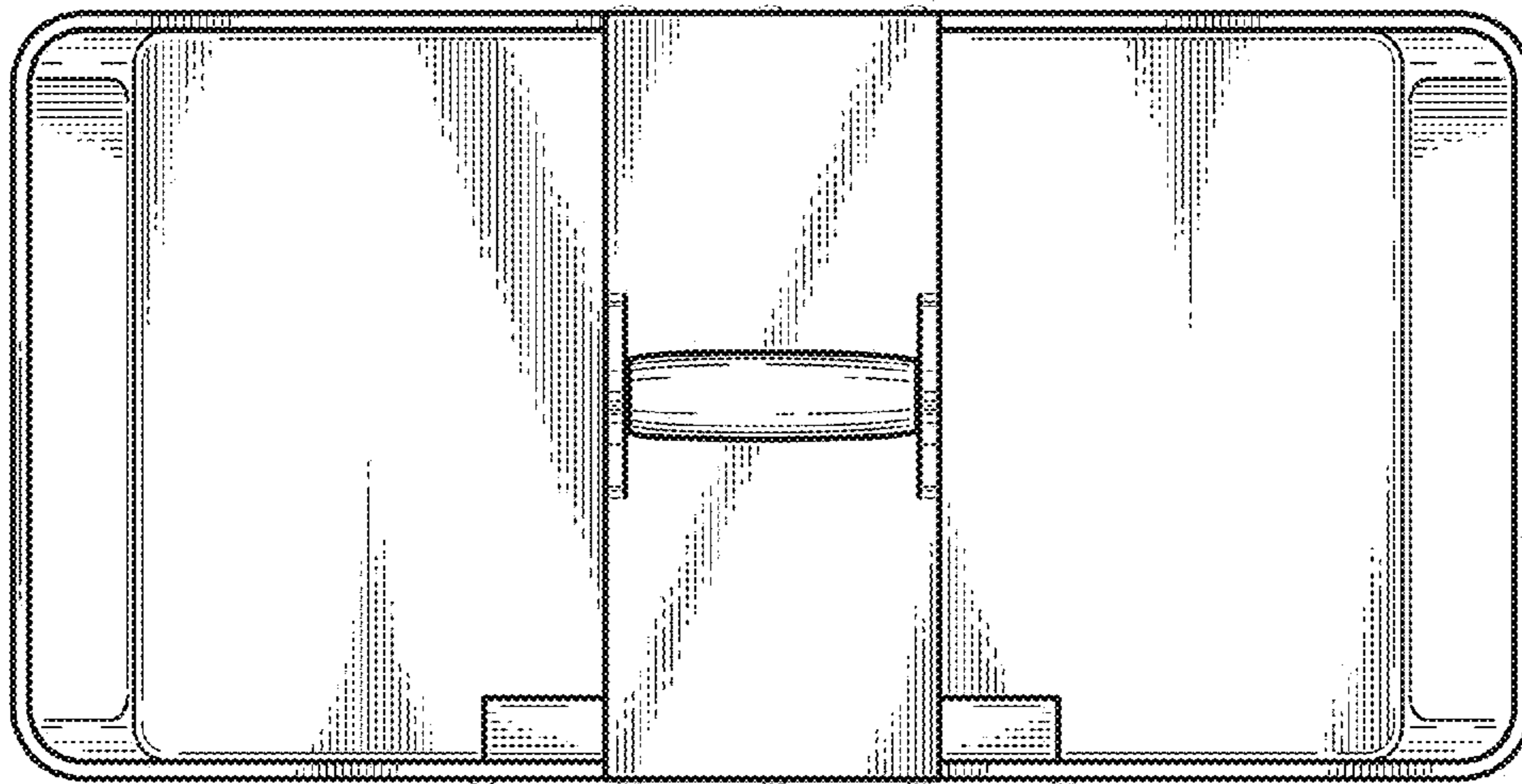


FIG. 7

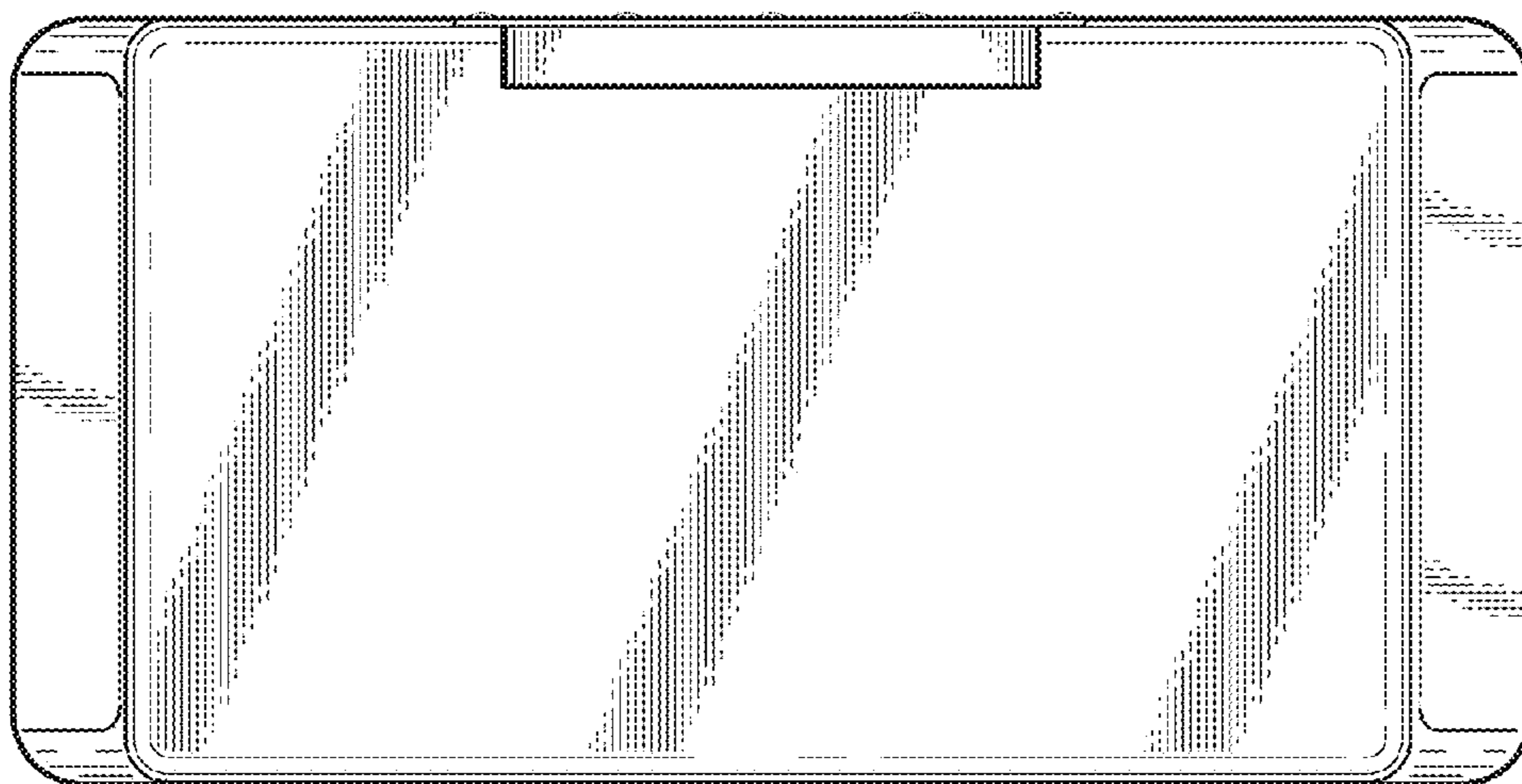


FIG. 8

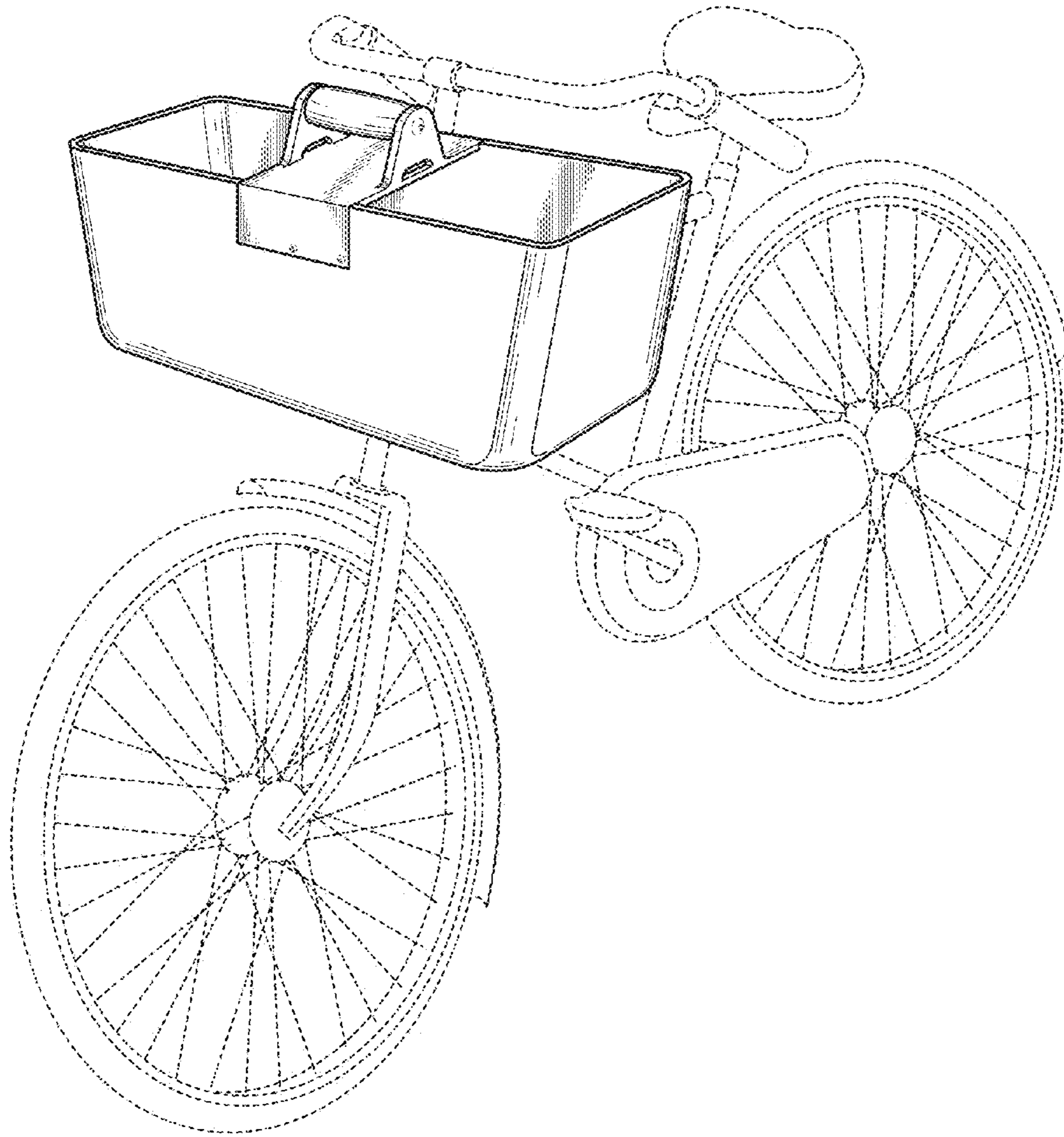


FIG. 9

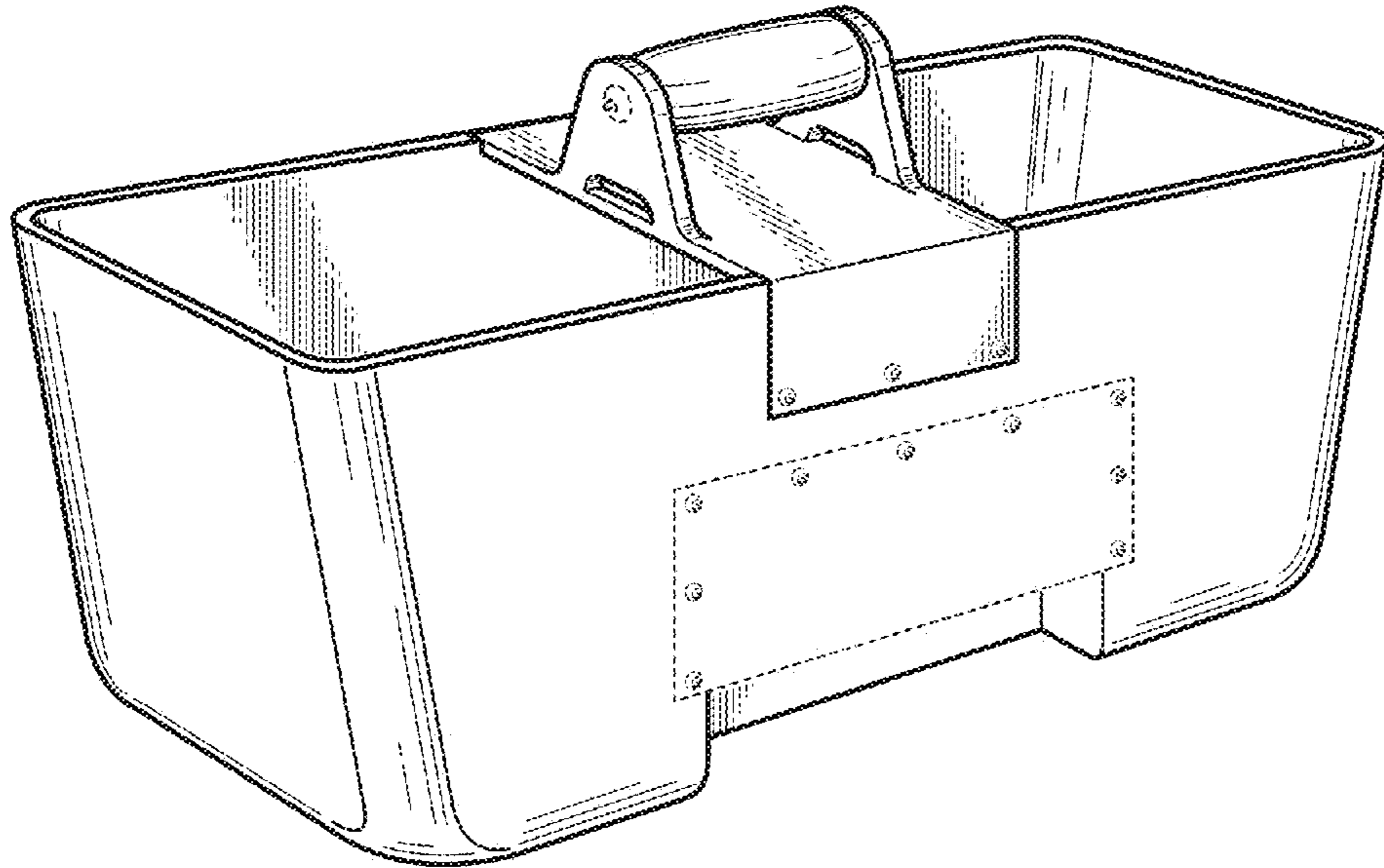


FIG. 10

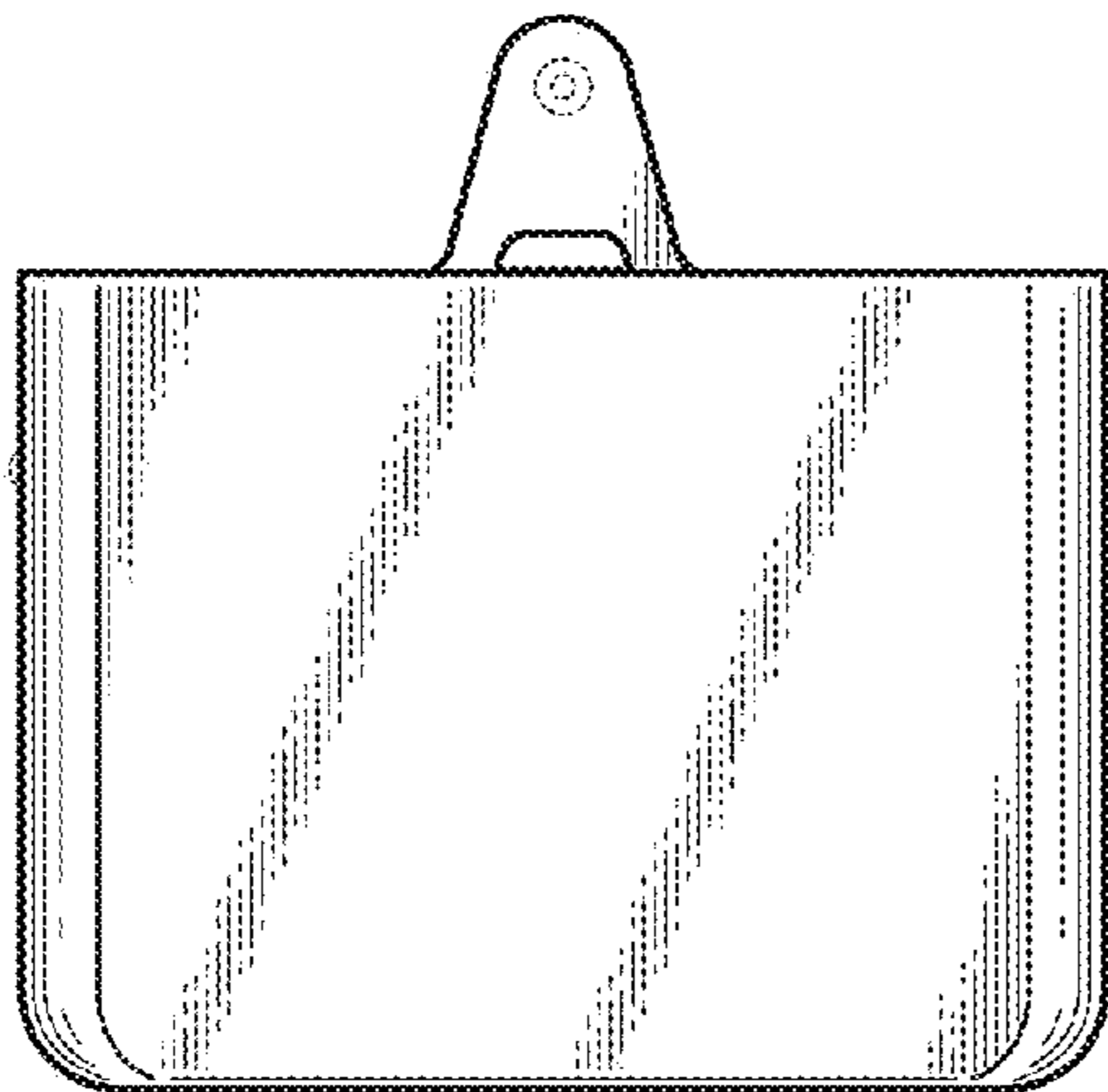


FIG. 11

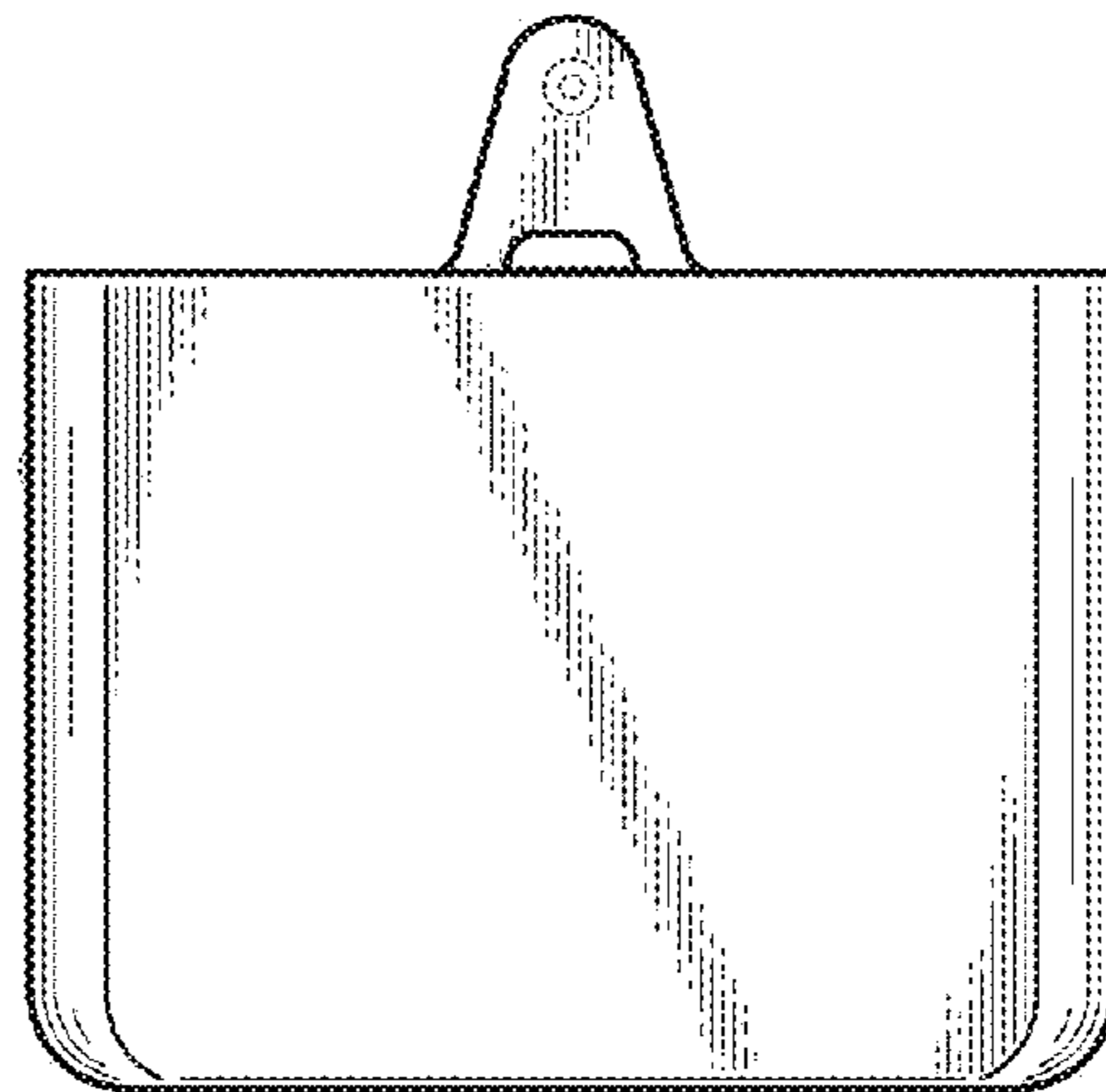


FIG. 12



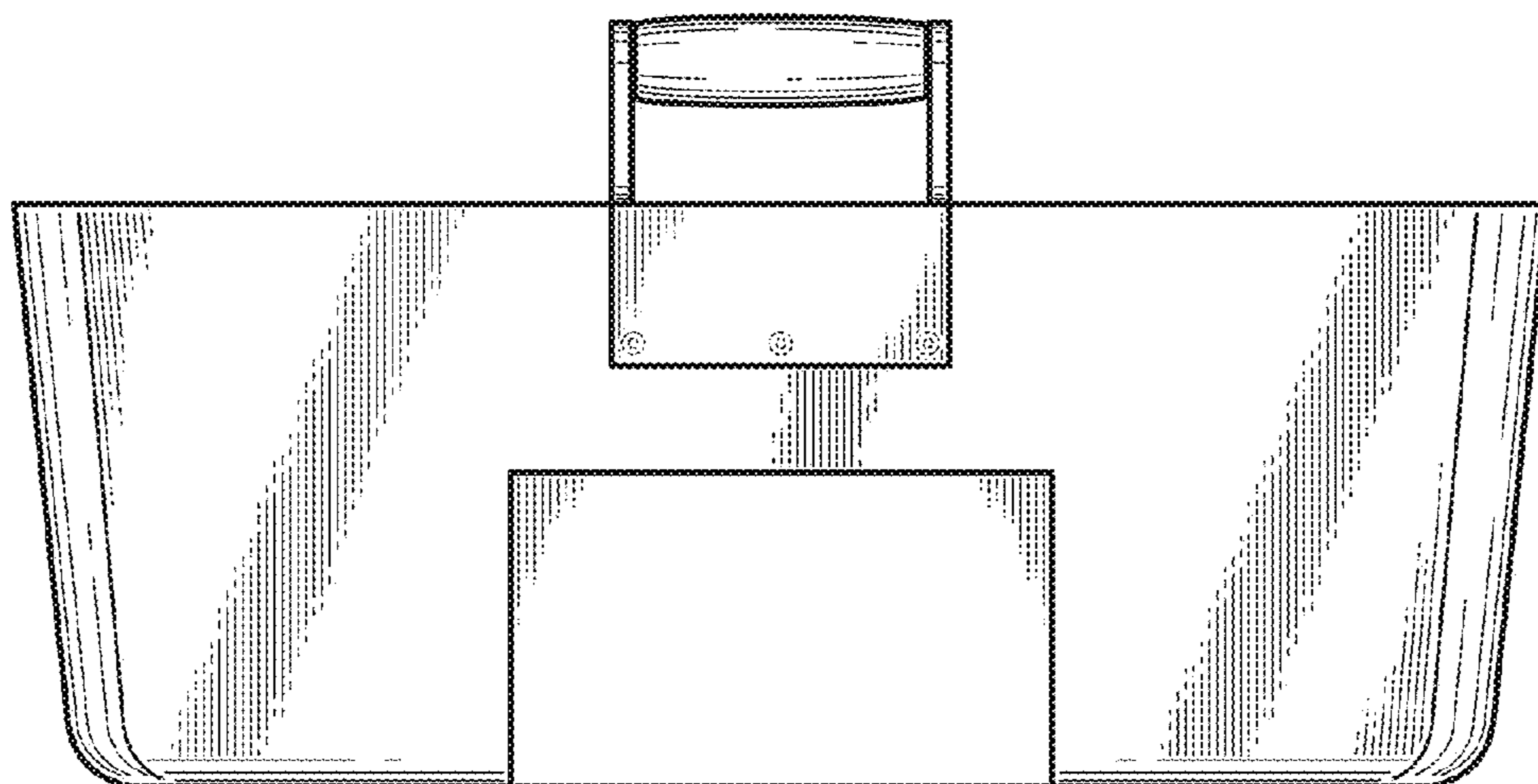


FIG. 13

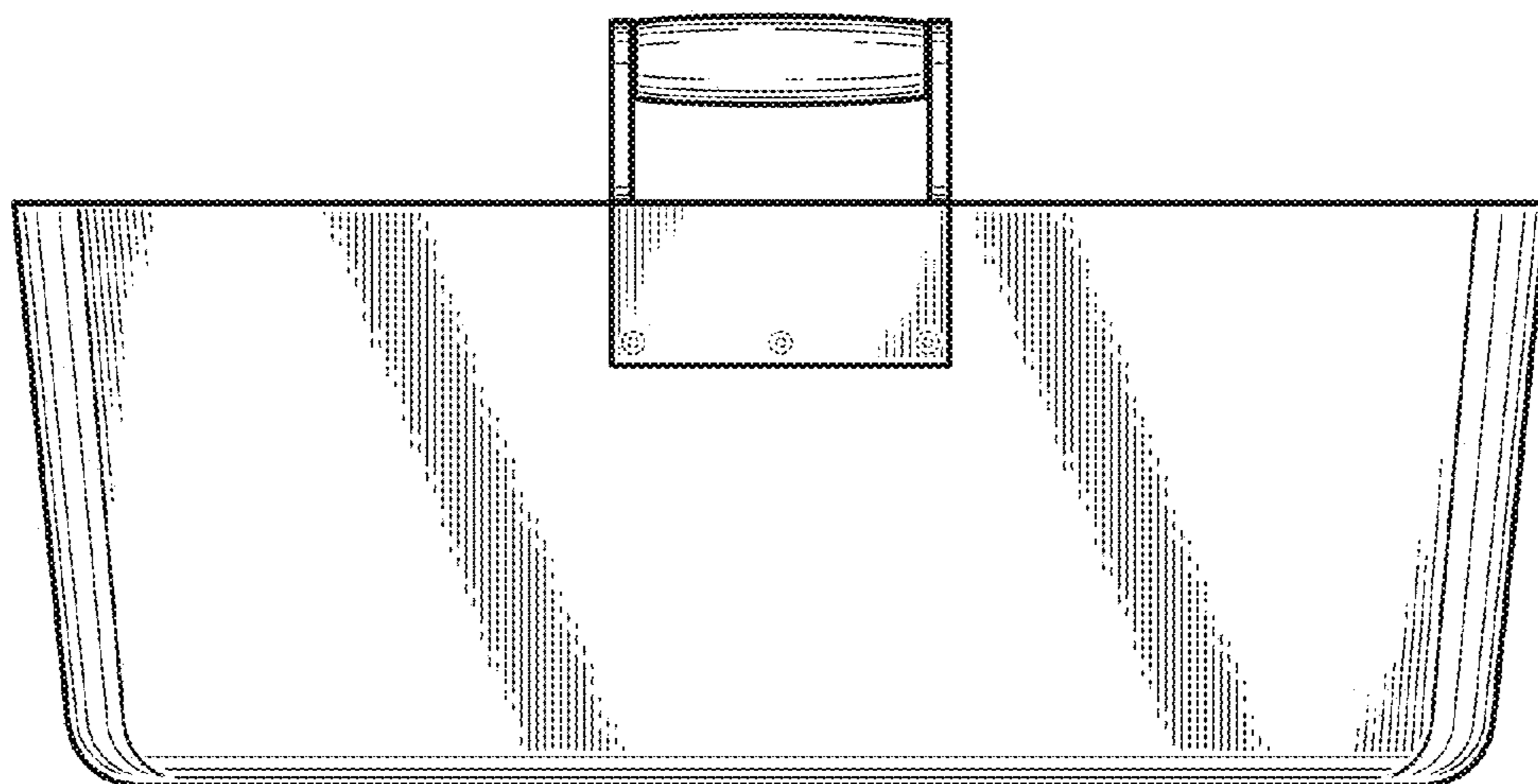


FIG. 14

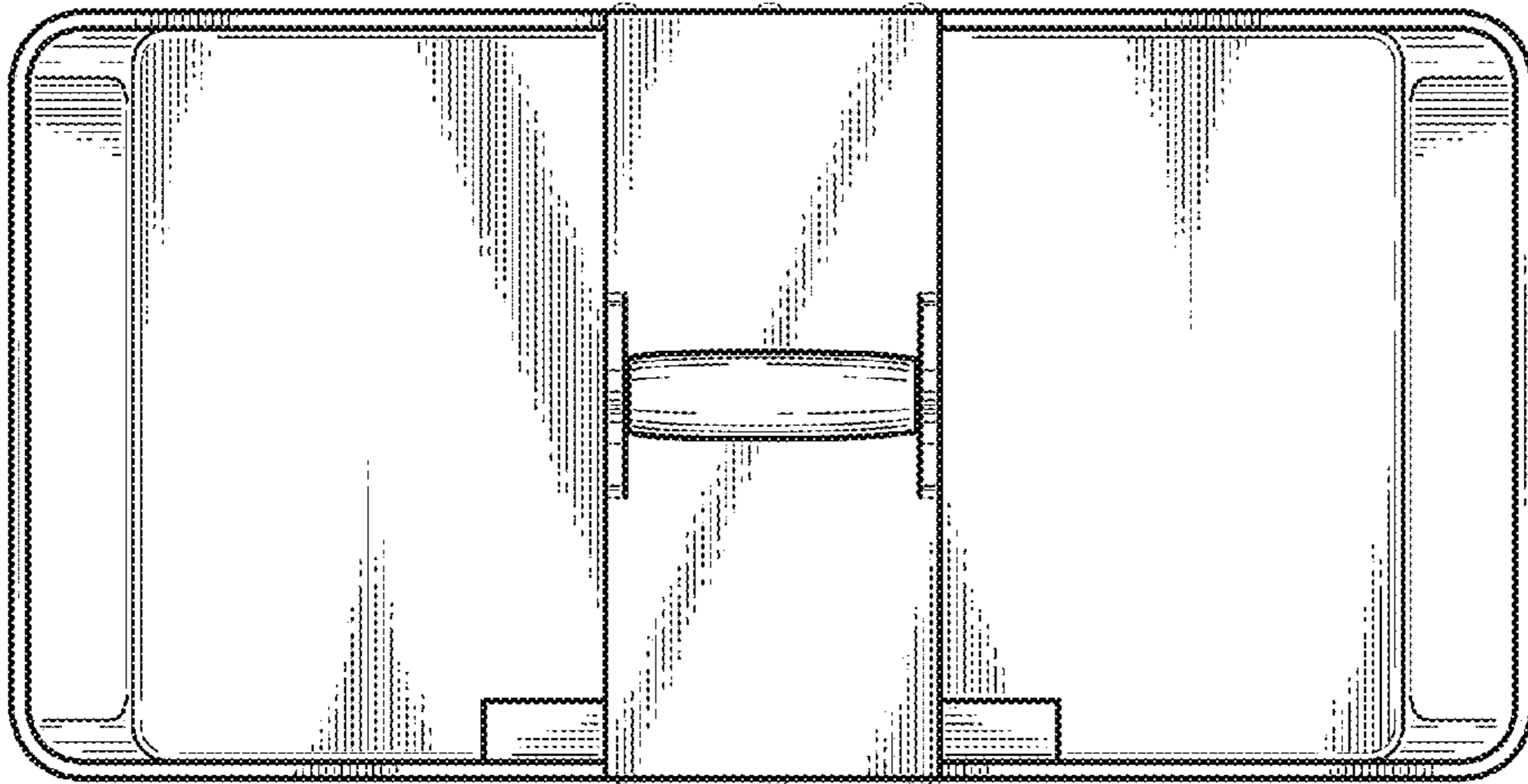


FIG. 15

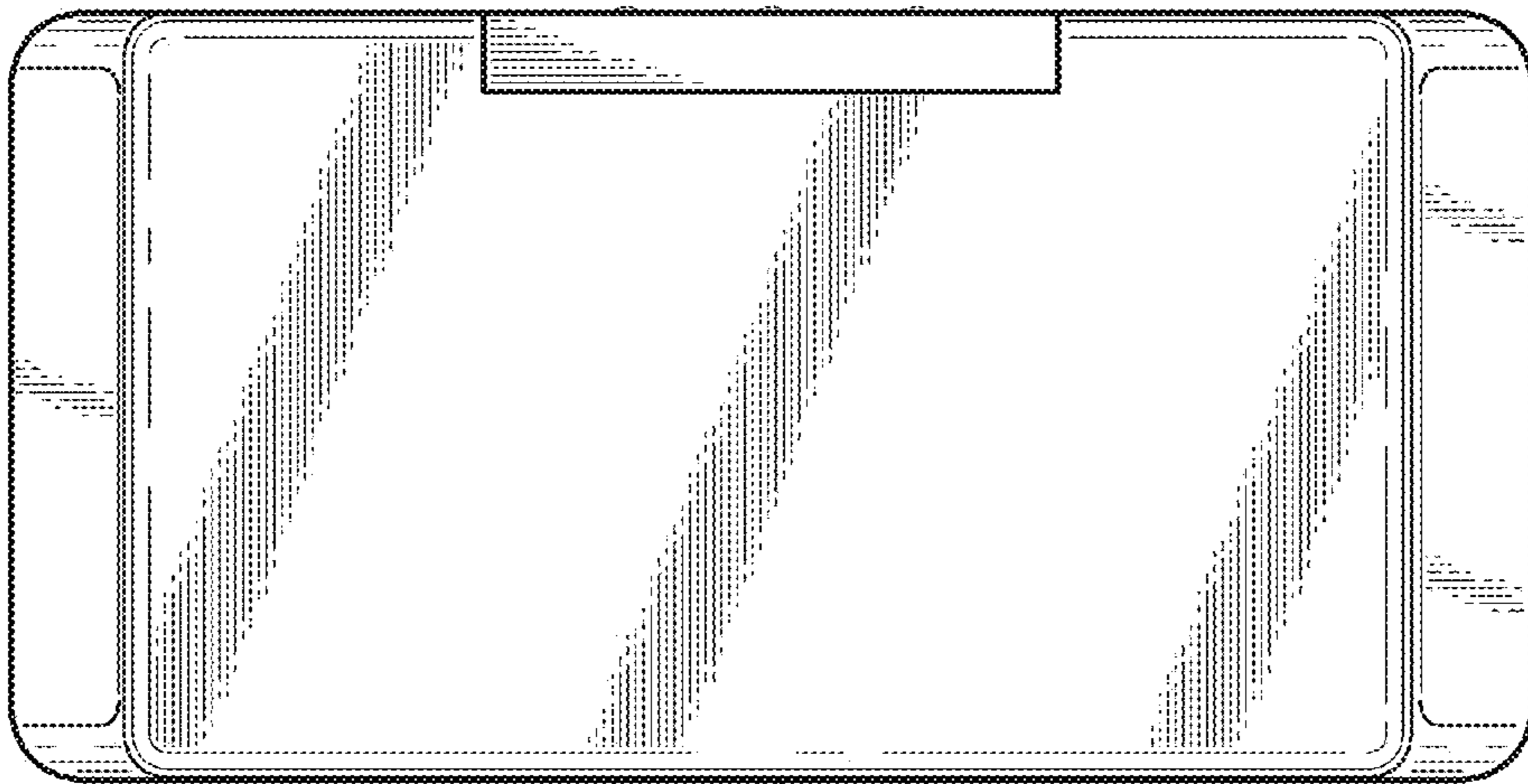


FIG. 16