

US00D762545S

(12) **United States Design Patent**
Hodges

(10) **Patent No.:** **US D762,545 S**

(45) **Date of Patent:** **** Aug. 2, 2016**

(54) **WHEEL**

(71) Applicant: **Frank J. Hodges**, Corona, CA (US)

(72) Inventor: **Frank J. Hodges**, Corona, CA (US)

(**) Term: **15 Years**

(21) Appl. No.: **29/534,301**

(22) Filed: **Jul. 28, 2015**

(51) **LOC (10) Cl.** **12-16**

(52) **U.S. Cl.**
USPC **D12/209**

(58) **Field of Classification Search**
USPC D12/204-213
CPC B60B 7/00; B60B 7/02; B60B 7/04;
B60B 7/01; B60B 7/06; B60B 3/02; B60B
3/04; B60B 3/06; B60B 3/10; B60B 1/00;
B60B 1/08; B60B 1/10; B60B 1/12
See application file for complete search history.

(56) **References Cited**

U.S. PATENT DOCUMENTS

D396,443 S * 7/1998 Neepser D12/209
D419,944 S * 2/2000 Chen D12/209

D440,933 S * 4/2001 Vian D12/209
D567,166 S * 4/2008 Bogani D12/209
D574,311 S * 8/2008 Chung D12/209
D597,014 S * 7/2009 Nissl D12/211
D619,071 S * 7/2010 Christensen D12/211
D630,565 S * 1/2011 Ebel D12/209
D630,566 S * 1/2011 Ebel D12/209
D644,158 S * 8/2011 Nissl D12/211
D651,959 S * 1/2012 Groom D12/209
D683,689 S * 6/2013 Fahr-Becker D12/211
D686,135 S * 7/2013 Borkert D12/211
D695,194 S * 12/2013 Kong D12/211
D697,005 S * 1/2014 Juergens D12/209
D698,720 S * 2/2014 Fahr-Becker D12/211
D725,568 S * 3/2015 Hodges D12/209

* cited by examiner

Primary Examiner — Stacia Cadmus

(74) *Attorney, Agent, or Firm* — Eric B. Alspaugh

(57) **CLAIM**

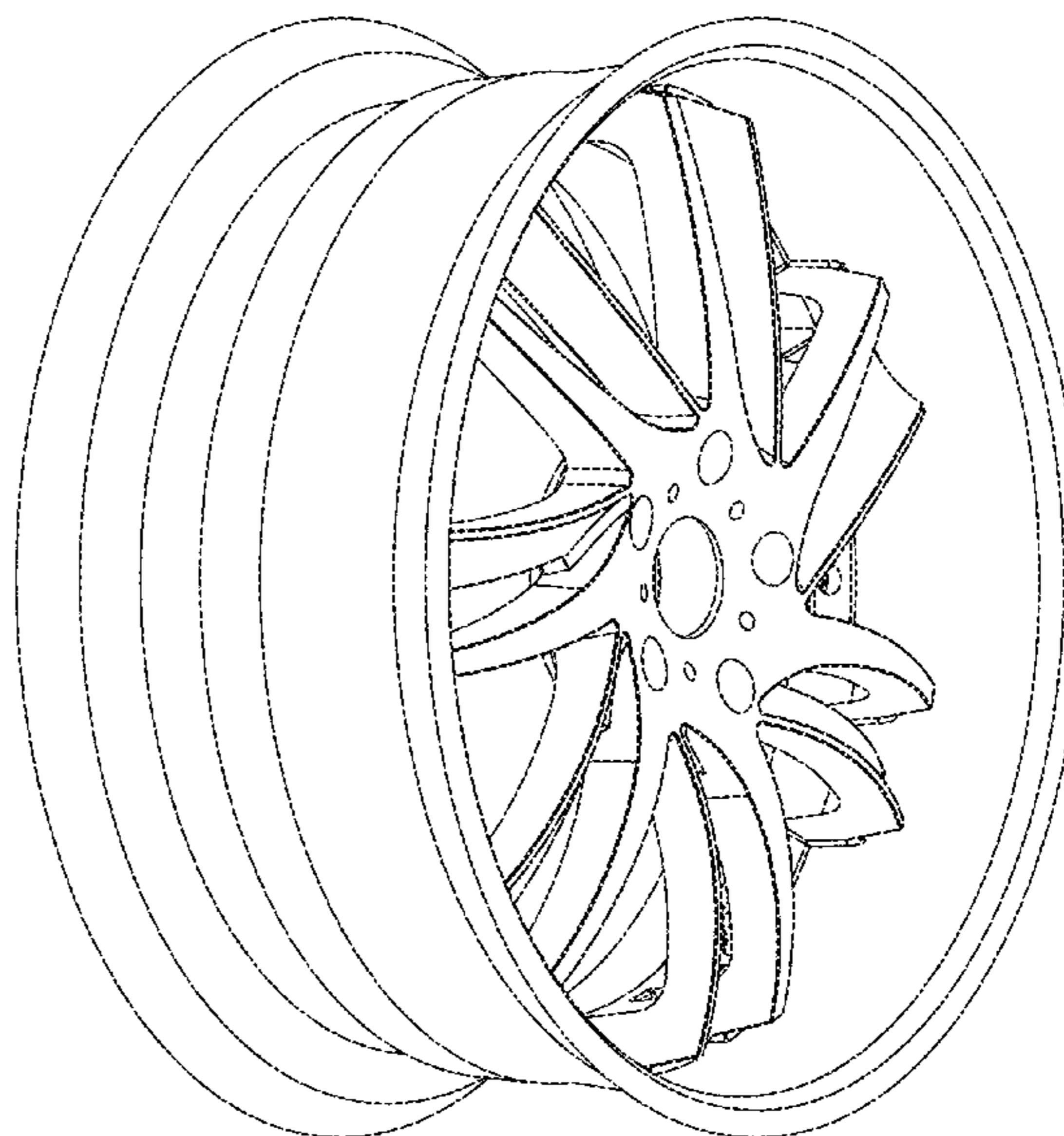
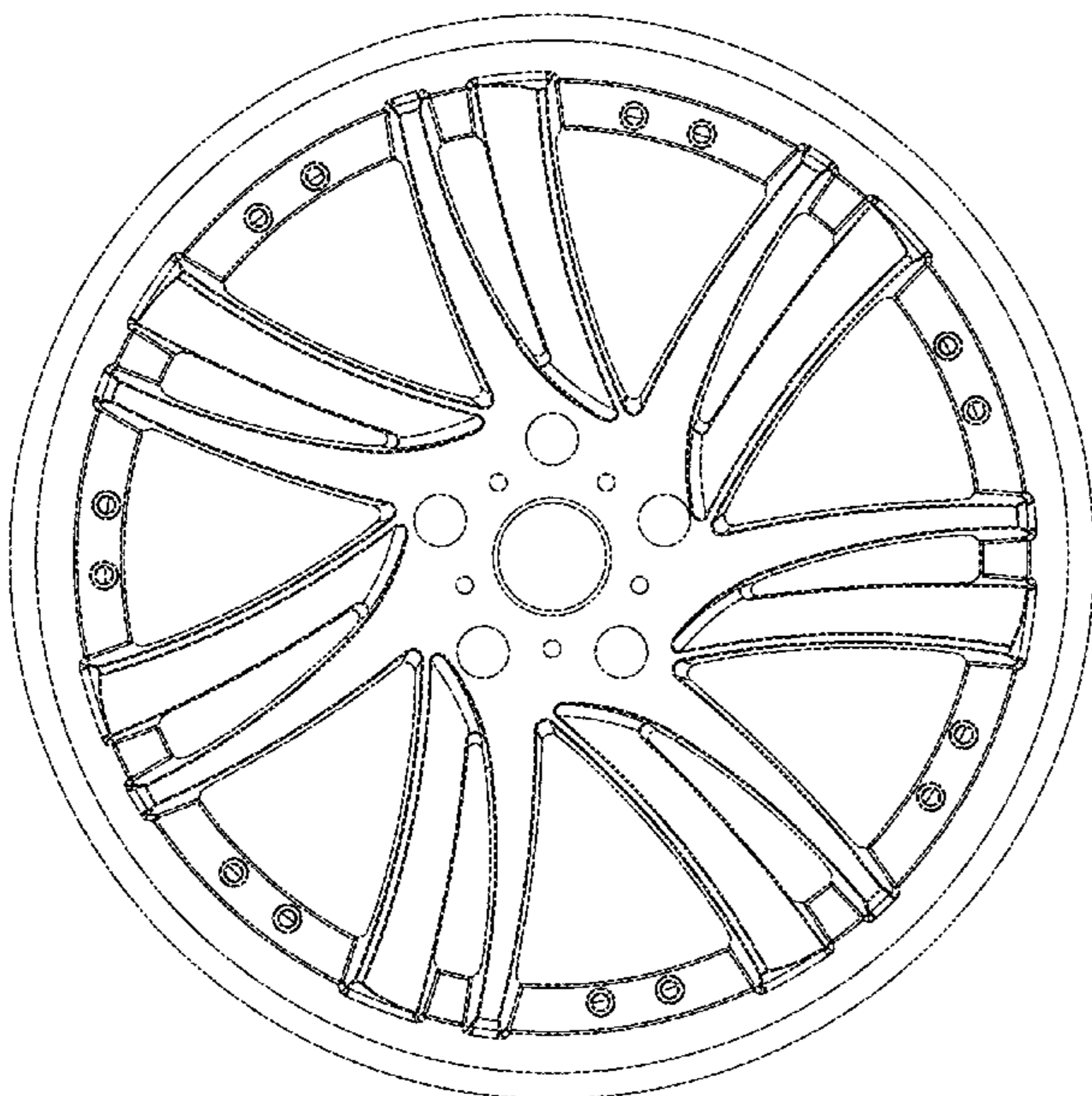
The ornamental design for a wheel, as shown and described.

DESCRIPTION

FIG. 1 is a front view of a wheel, showing my new design; and,

FIG. 2 is a perspective view thereof.

1 Claim, 2 Drawing Sheets



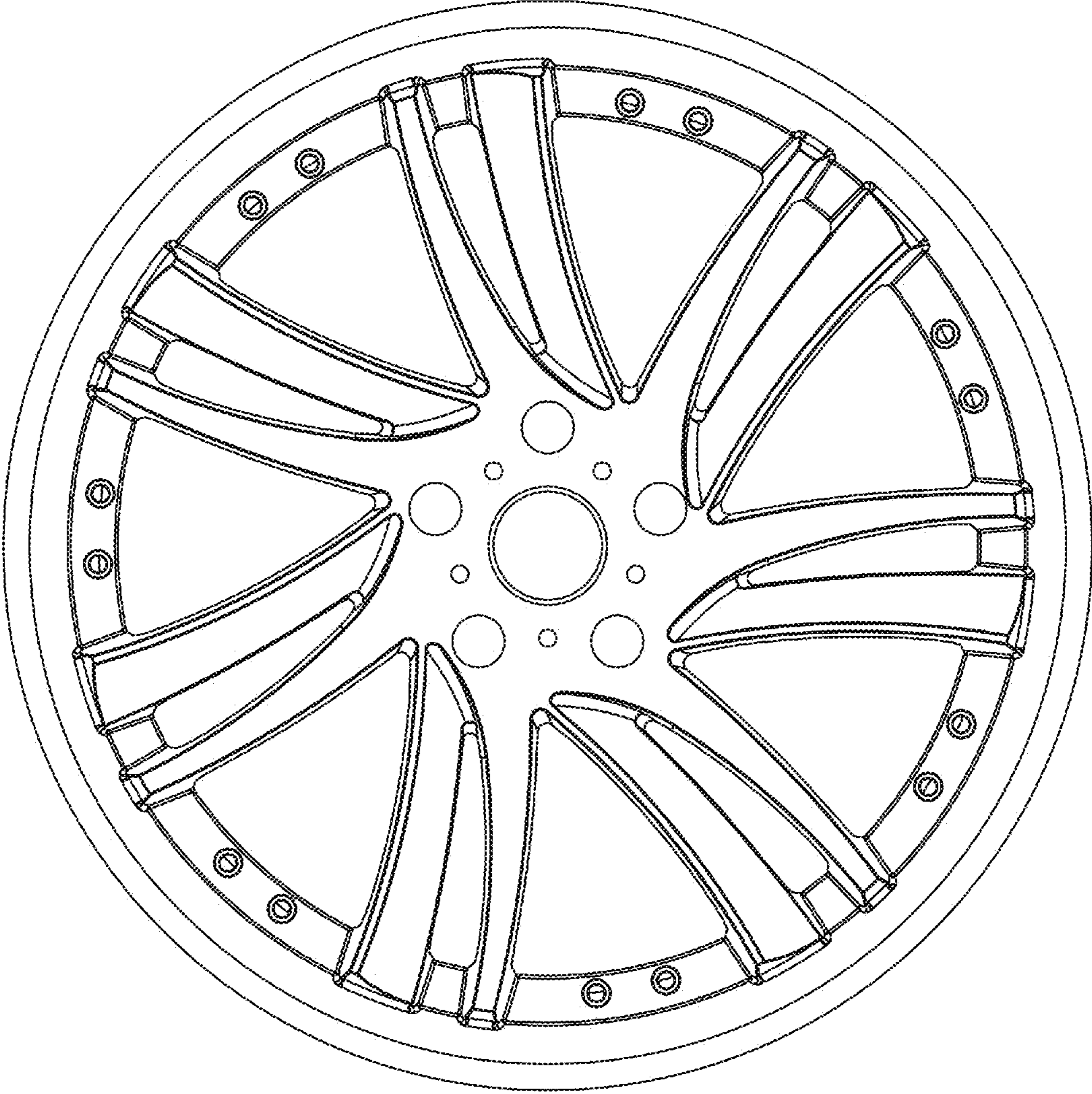


Fig. 1

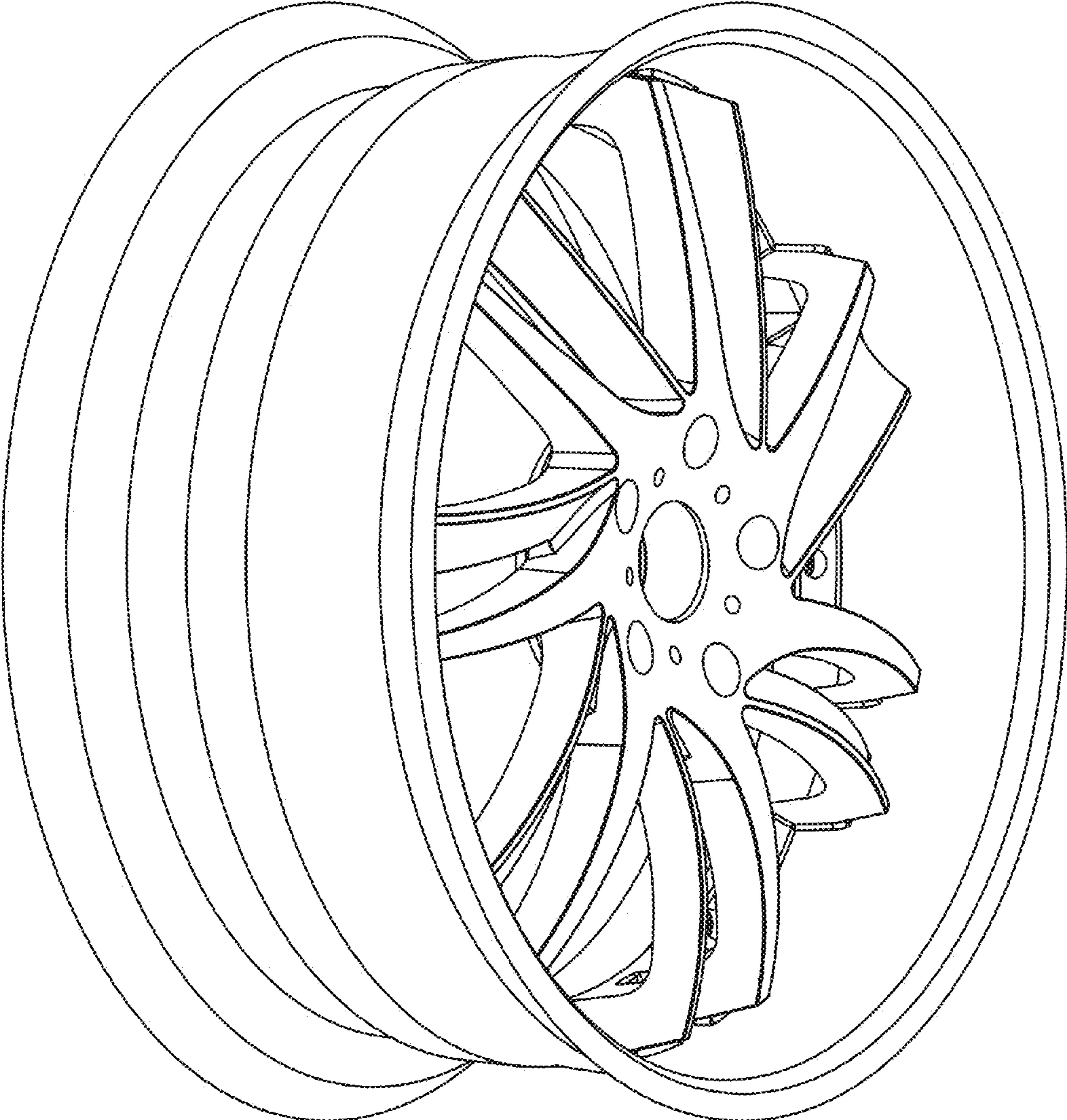


Fig. 2