



US00D762544S

(12) **United States Design Patent**
Hashimoto

(10) **Patent No.:** **US D762,544 S**
(45) **Date of Patent:** **** Aug. 2, 2016**

(54) **VEHICLE WHEEL**

(71) Applicant: **Kawasaki Jukogyo Kabushiki Kaisha,**
Hyogo (JP)

(72) Inventor: **Naoki Hashimoto,** Kakogawa (JP)

(73) Assignee: **Kawasaki Jukogyo Kabushiki Kaisha,**
Hyogo (JP)

(**) Term: **15 Years**

(21) Appl. No.: **29/528,687**

(22) Filed: **May 29, 2015**

(51) **LOC (10) Cl.** **12-16**

(52) **U.S. Cl.**
USPC **D12/209**

(58) **Field of Classification Search**
USPC D12/204–213
CPC B60B 7/00; B60B 7/02; B60B 7/04;
B60B 7/01; B60B 7/06; B60B 3/02; B60B
3/04; B60B 3/06; B60B 3/10; B60B 1/00;
B60B 1/08; B60B 1/10; B60B 1/12
See application file for complete search history.

(56) **References Cited**

U.S. PATENT DOCUMENTS

D96,307 S * 7/1935 Horn D12/209
D278,526 S * 4/1985 Giugiaro D12/204
D285,916 S * 9/1986 Walter D12/211

D444,117 S * 6/2001 Manton D12/211
D476,939 S * 7/2003 Francis D12/209
D517,969 S * 3/2006 Brouillette D12/209
D519,431 S * 4/2006 Francis D12/209
D528,493 S * 9/2006 Stacy D12/209
D548,160 S * 8/2007 Viandante D12/209
D620,422 S * 7/2010 George D12/209
D623,998 S * 9/2010 Holstein D12/209
D626,487 S * 11/2010 Leng D12/209
D675,144 S * 1/2013 Mueller-Stolz D12/211
D683,684 S * 6/2013 Campbell D12/209

* cited by examiner

Primary Examiner — Stacia Cadmus

(57) **CLAIM**

The ornamental design for a vehicle wheel, as shown and described.

DESCRIPTION

FIG. 1 is a front elevational view of a vehicle wheel showing my new design;
FIG. 2 is a rear elevational view thereof;
FIG. 3 is a left side elevational view thereof, the right side view being a mirror image of that shown;
FIG. 4 is a top plan view thereof, the bottom plan view being a mirror image of that shown;
FIG. 5 is a front right perspective view thereof; and,
FIG. 6 is a rear left perspective view thereof.

The dark and light grayed surfaces do not represent a color nor a pattern but are intended to represent shading on the surface of the drawings.

1 Claim, 6 Drawing Sheets

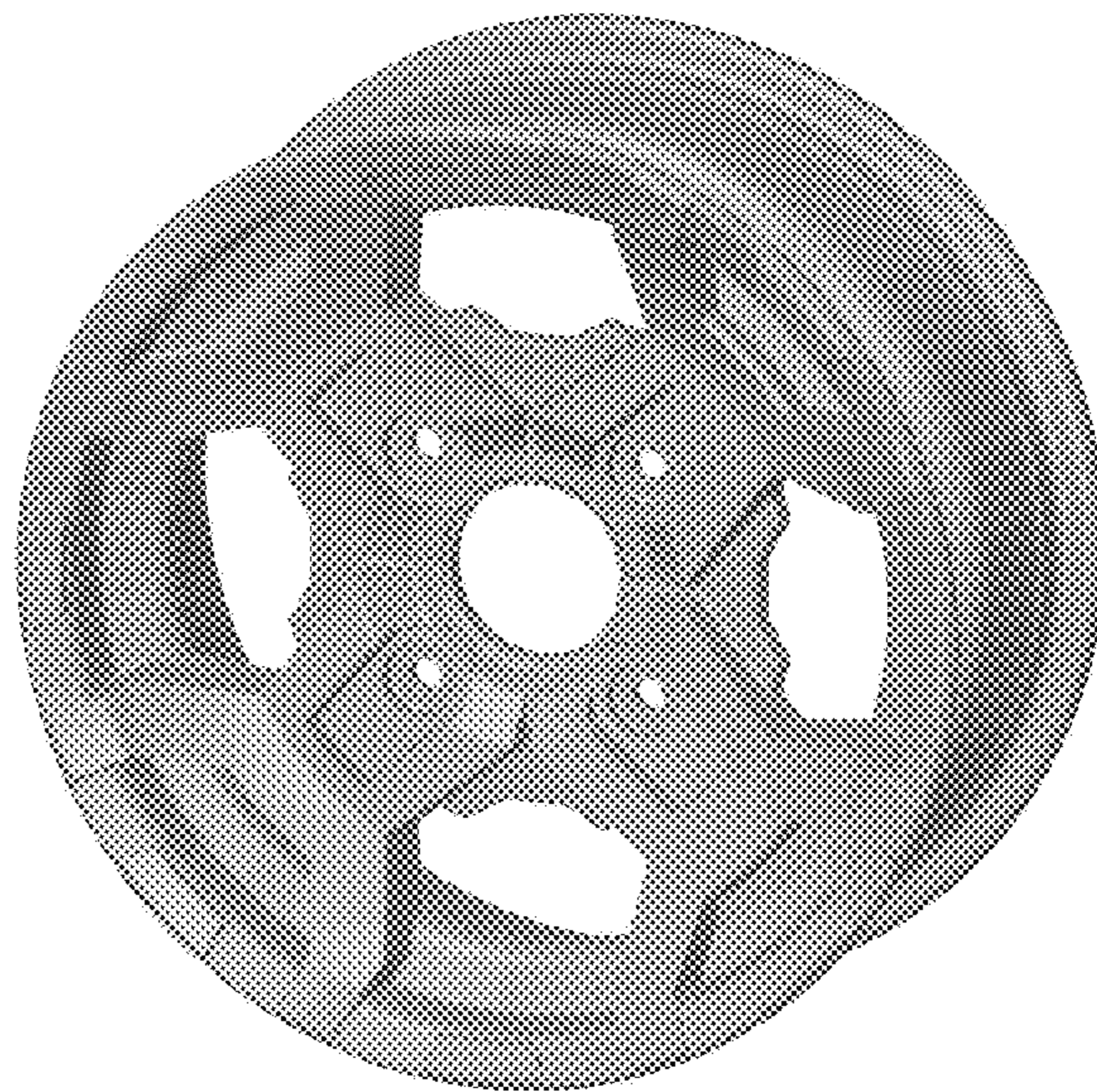
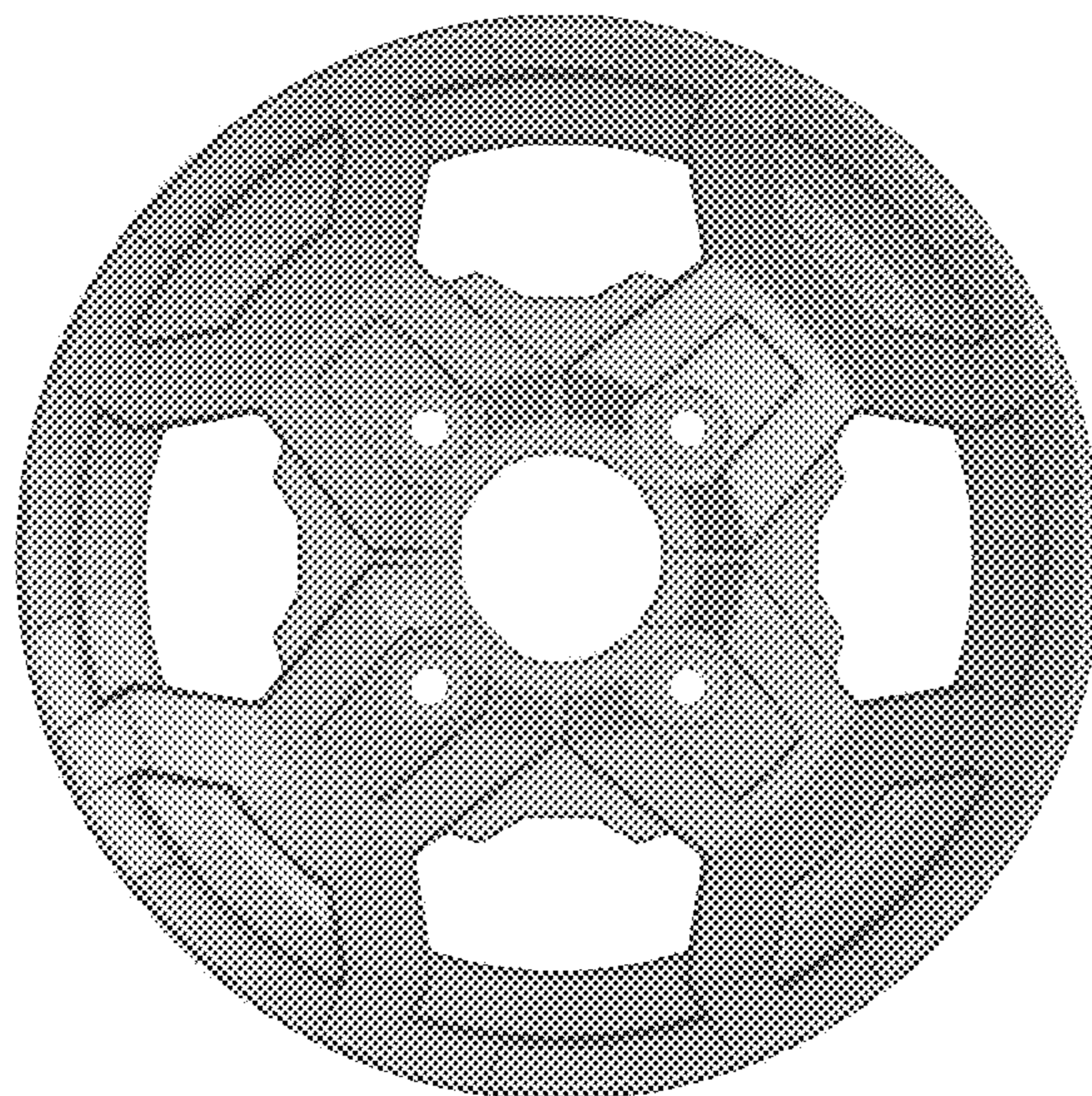


Fig. 1

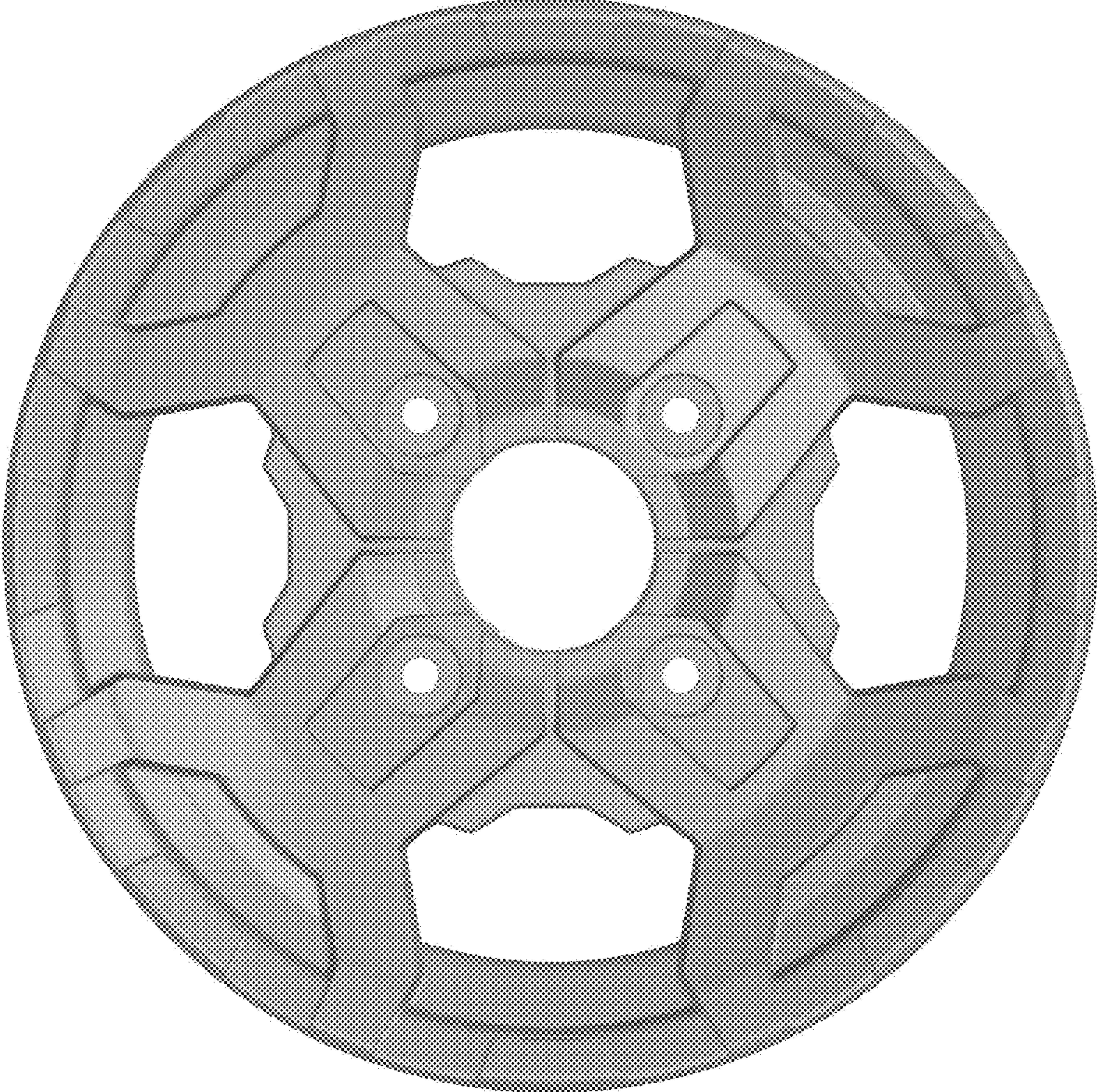


Fig. 2



Fig. 3

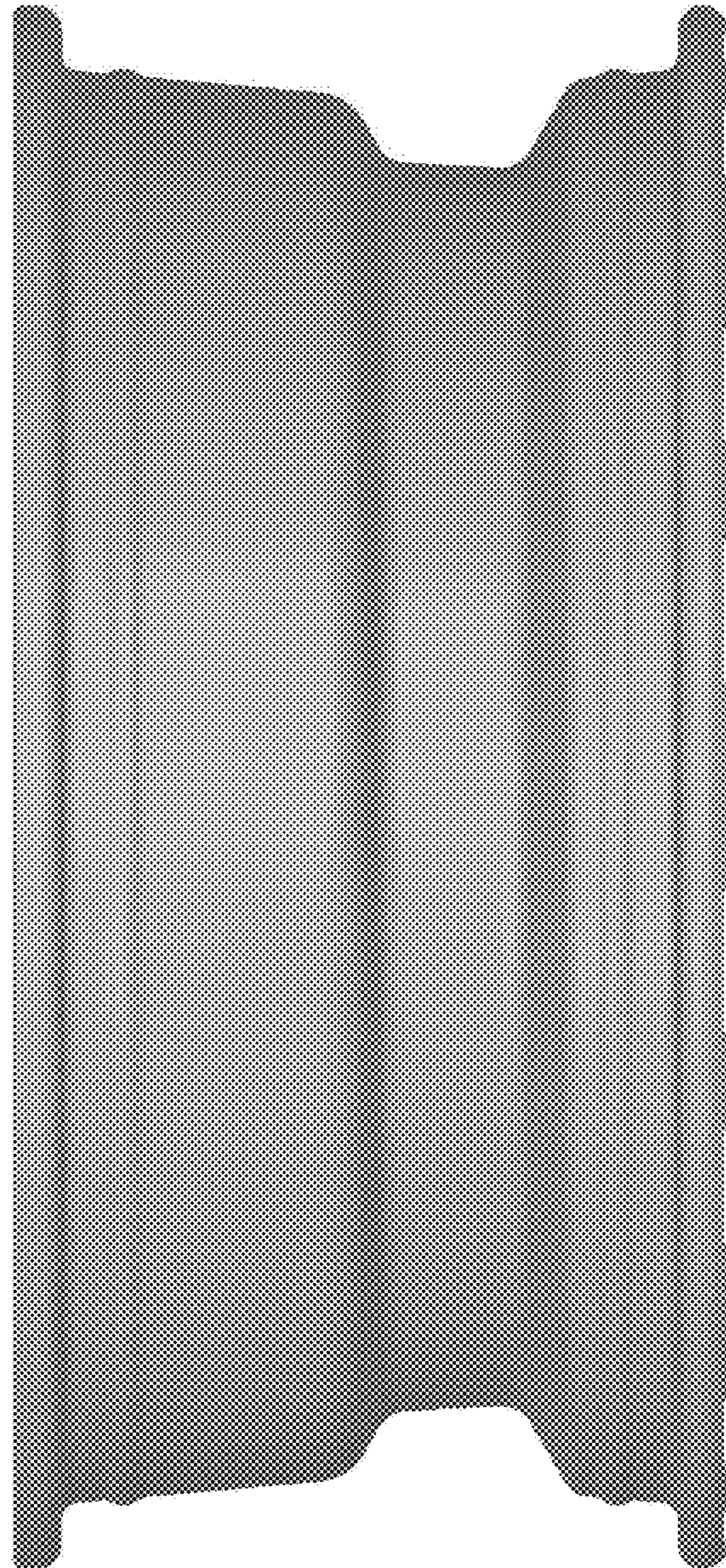


Fig. 4

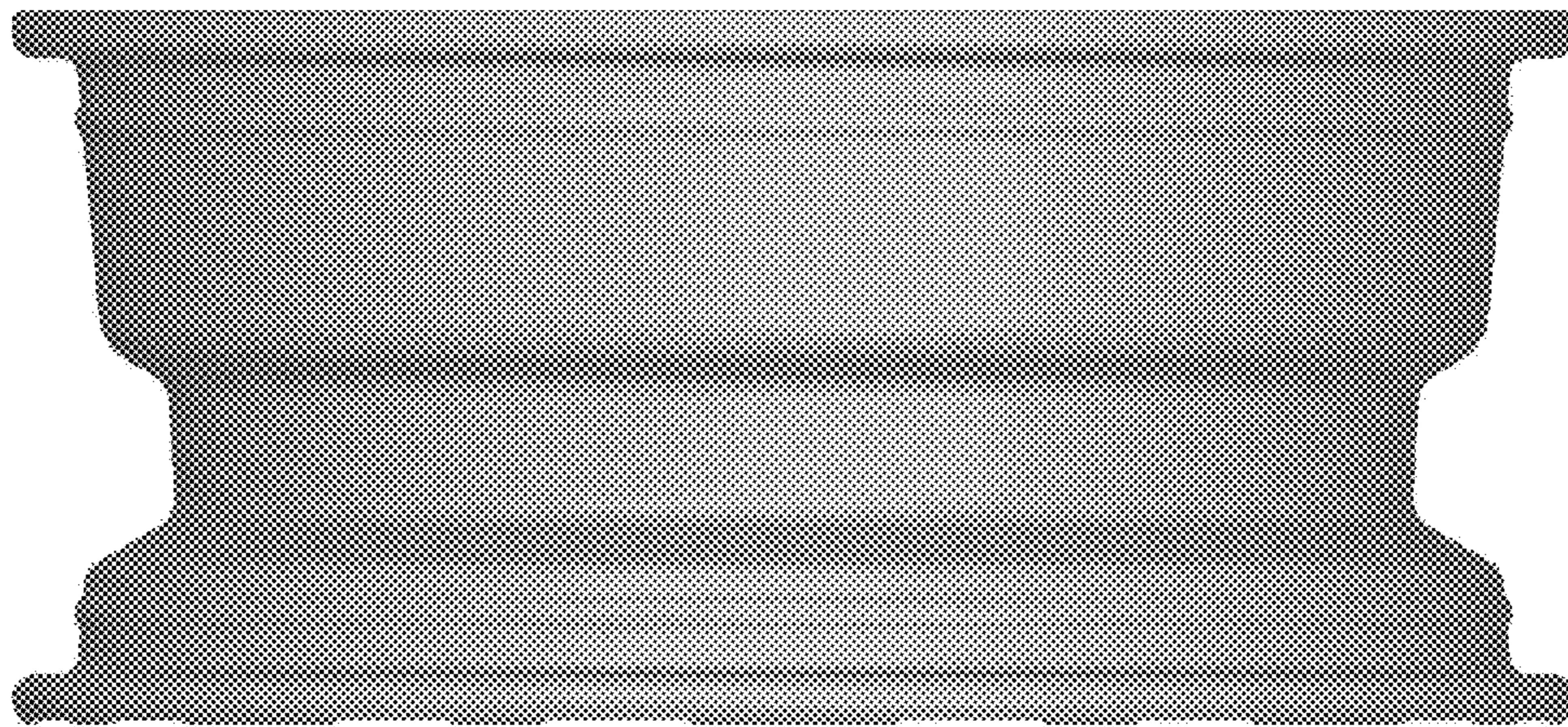


Fig. 5



Fig. 6

