



US00D762543S

(12) **United States Design Patent**
Hara

(10) **Patent No.:** **US D762,543 S**
(45) **Date of Patent:** **** Aug. 2, 2016**

(54) **WHEEL FOR AUTOMOBILE**

(71) Applicant: **Honda Motor Co., Ltd.**, Tokyo (JP)

(72) Inventor: **Dai Hara**, Wako (JP)

(73) Assignee: **Honda Motor Co., Ltd.**, Tokyo (JP)

(**) Term: **14 Years**

(21) Appl. No.: **29/520,895**

(22) Filed: **Mar. 18, 2015**

(30) **Foreign Application Priority Data**

Feb. 6, 2015 (JP) 2015-002300

(51) **LOC (10) Cl.** **12-16**

(52) **U.S. Cl.**
USPC **D12/209**

(58) **Field of Classification Search**
USPC D12/204–213
CPC B60B 7/00; B60B 7/02; B60B 7/04;
B60B 7/01; B60B 7/06; B60B 3/02; B60B
3/04; B60B 3/06; B60B 3/10; B60B 1/00;
B60B 1/08; B60B 1/10; B60B 1/12
See application file for complete search history.

(56) **References Cited**

U.S. PATENT DOCUMENTS

D399,811 S * 10/1998 Echazabal D12/209
D400,154 S * 10/1998 Noriega D12/209
D435,004 S * 12/2000 Noriega D12/209

D458,885 S * 6/2002 Kuribayashi D12/209
D594,800 S * 6/2009 Blasi D12/209
D669,833 S * 10/2012 Pollmann D12/209
D671,475 S * 11/2012 Juergens D12/209
D682,761 S * 5/2013 Pollmann D12/209
D683,681 S * 6/2013 Juergens D12/209
D685,709 S * 7/2013 Hanaoka D12/209
D686,132 S * 7/2013 Truebsbach D12/209
D695,186 S * 12/2013 Pollmann D12/209
D695,187 S * 12/2013 Mielke D12/209
D695,669 S * 12/2013 Pollmann D12/209
D697,467 S * 1/2014 Pollmann D12/209
D710,286 S * 8/2014 Yamaguchi D12/209
D713,315 S * 9/2014 Juergens D12/209
D725,569 S * 3/2015 Komukai D12/209
D726,086 S * 4/2015 Muntada Roura D12/209
D729,138 S * 5/2015 Davidson D12/209
D744,401 S * 12/2015 Back D12/209
D744,928 S * 12/2015 Valencia Pollex D12/209

* cited by examiner

Primary Examiner — Stacia Cadmus

(74) *Attorney, Agent, or Firm* — Plumsea Law Group, LLC

(57) **CLAIM**

The ornamental design for a wheel for automobile, as shown and described.

DESCRIPTION

FIG. 1 is a front perspective view of a wheel for automobile; and,
FIG. 2 is a front elevation view thereof.
The broken lines shown in the drawings illustrate portions of the wheel that form no part of claimed design.

1 Claim, 2 Drawing Sheets

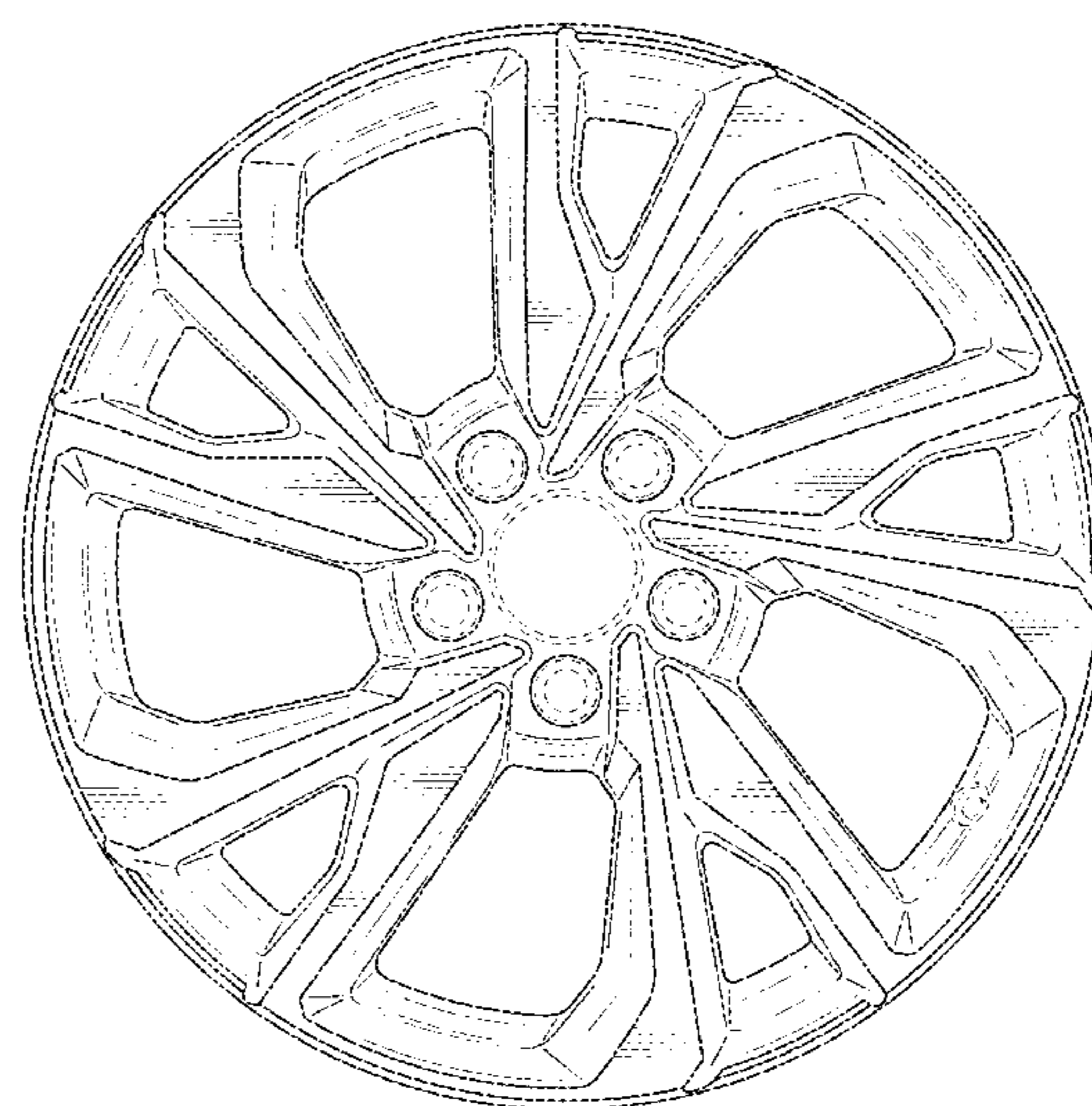
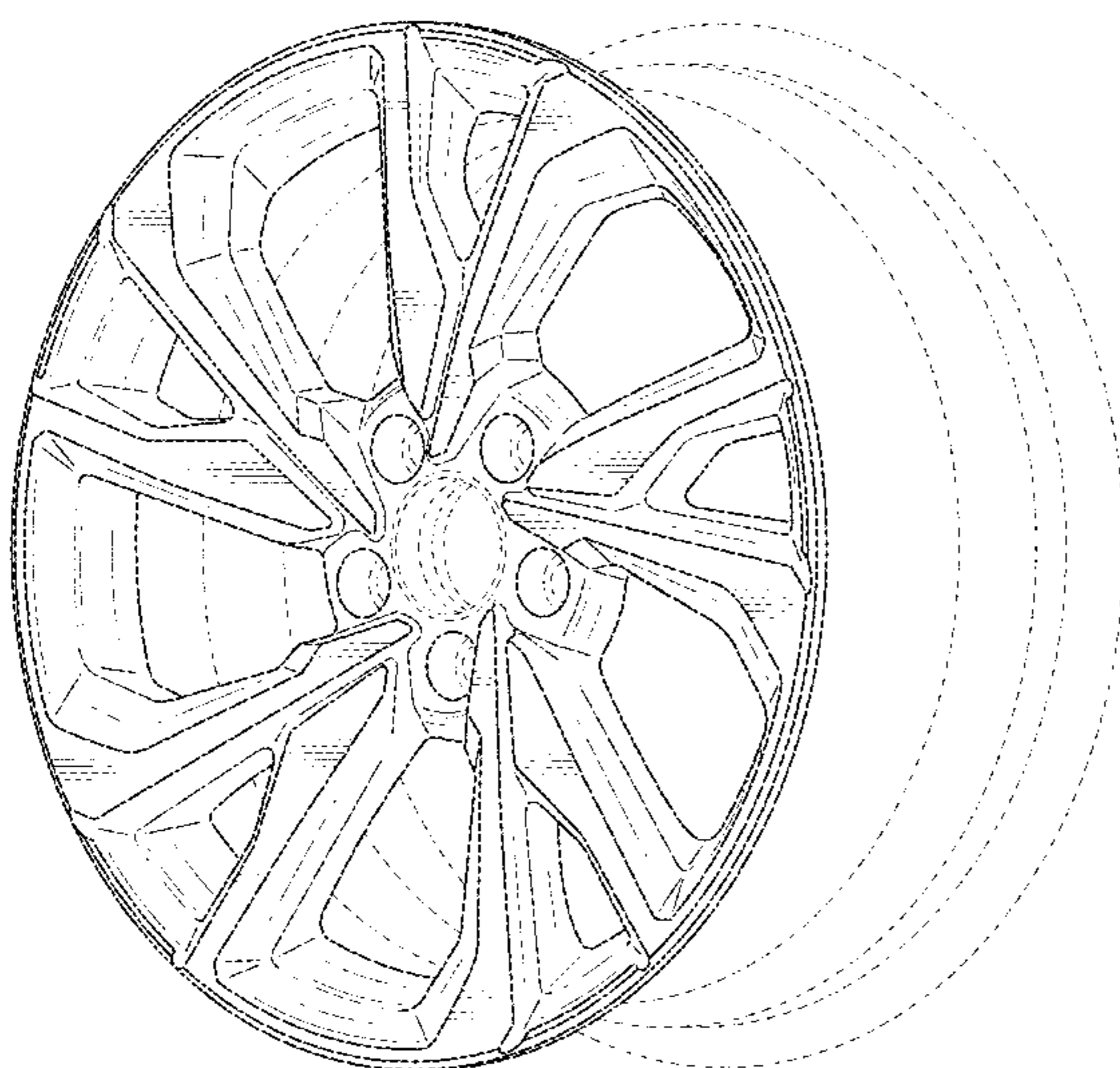


FIG. 1

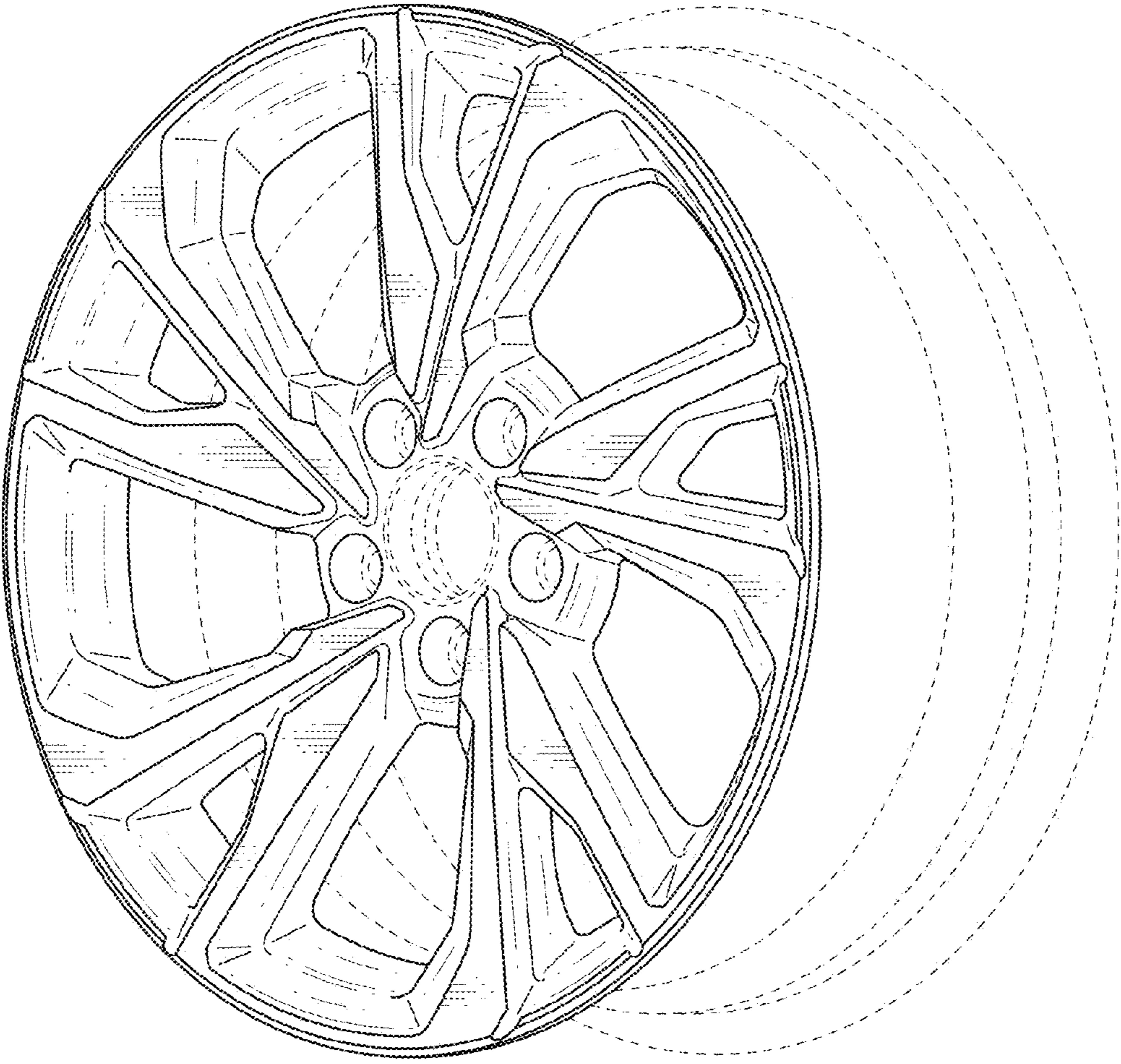


FIG. 2

