

US00D762539S

(12) **United States Design Patent**
Marcus et al.

(10) **Patent No.:** **US D762,539 S**
(45) **Date of Patent:** **** Aug. 2, 2016**

(54) **CURVED VISOR**

(71) Applicant: **Marcus Automotive, LLC**, Holland, MI (US)

(72) Inventors: **Jonathan P. Marcus**, Holland, MI (US);
William J. Fluharty, Holland, MI (US)

(73) Assignee: **Marcus Automotive, LLC**, Holland, MI (US)

(**) Term: **14 Years**

(21) Appl. No.: **29/517,959**

(22) Filed: **Feb. 19, 2015**

Related U.S. Application Data

(63) Continuation of application No. 13/658,223, filed on Oct. 23, 2012, now Pat. No. 9,205,724.

(51) **LOC (10) Cl.** **12-16**

(52) **U.S. Cl.**
USPC **D12/191**

(58) **Field of Classification Search**
USPC D12/191, 181, 183-185, 106, 417,
D12/311-312, 400
CPC B60J 3/02; B60J 3/0208
See application file for complete search history.

(56) **References Cited**

U.S. PATENT DOCUMENTS

4,600,234	A	7/1986	Jonsas	
4,640,543	A	2/1987	Bradley	
5,390,973	A	2/1995	Melotti	
D378,206	S *	2/1997	Kulla	D12/191
5,611,590	A	3/1997	Filgueiras	
D405,746	S *	2/1999	Larson	D12/191
D566,636	S *	4/2008	Ma	D12/191
7,461,887	B1 *	12/2008	Federle	B60J 3/0234 296/97.4
D597,912	S *	8/2009	Tsay	D12/191
7,992,918	B2	8/2011	Mac	
D658,569	S *	5/2012	Horton	D12/191
D739,799	S *	9/2015	Aoki	D12/191
D740,189	S *	10/2015	Lopez-Ross	D12/191

* cited by examiner

Primary Examiner — Katrina A Betton

(74) *Attorney, Agent, or Firm* — Price Heneveld LLP

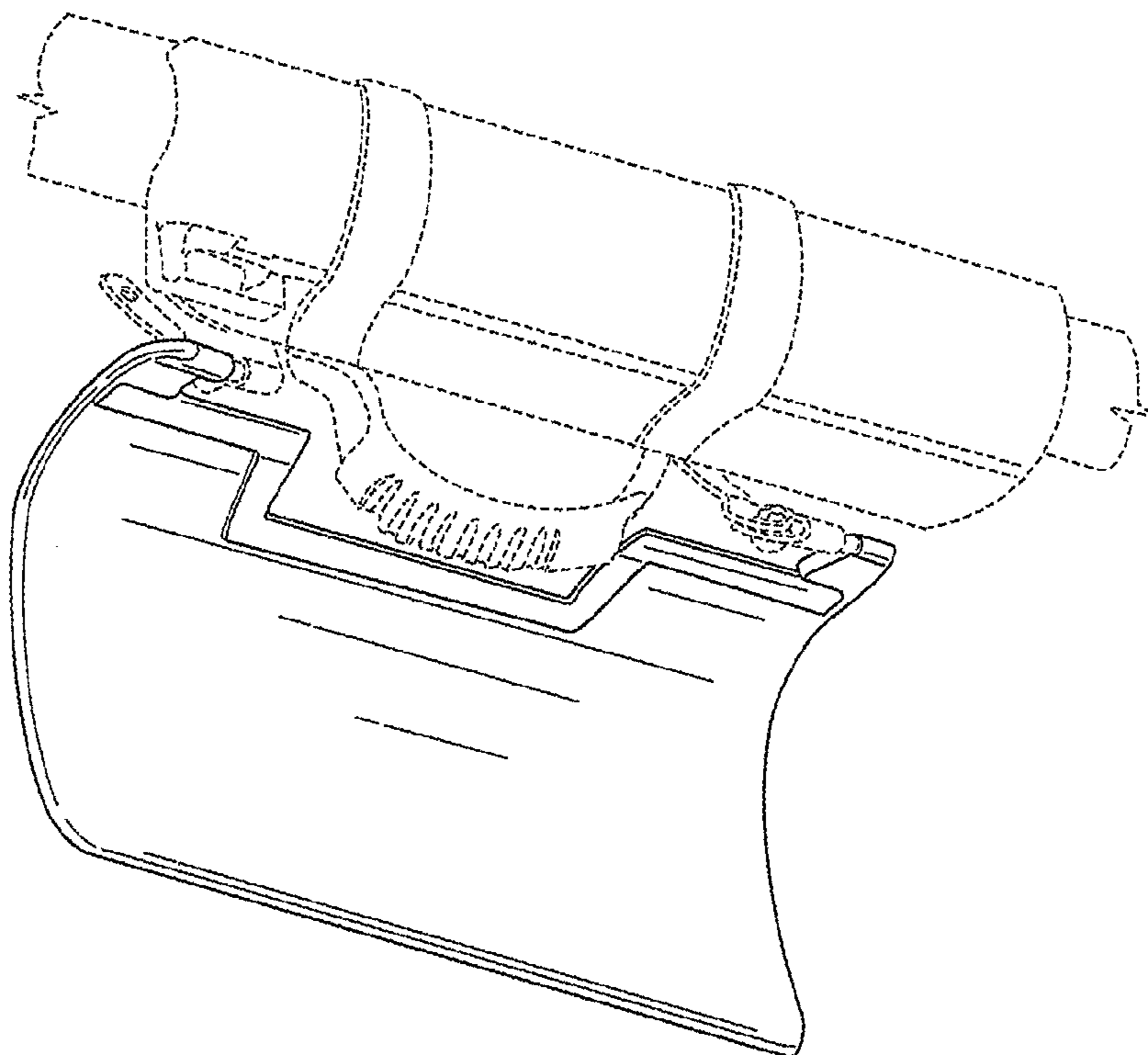
(57) **CLAIM**

The ornamental design for a curved visor, as shown.

DESCRIPTION

FIG. 1 is a front elevation view of a curved visor;
FIG. 2 is a rear elevation view of a curved visor;
FIG. 3 is a perspective view of a curved visor; and,
FIG. 4 is another perspective view of a curved visor.

1 Claim, 2 Drawing Sheets



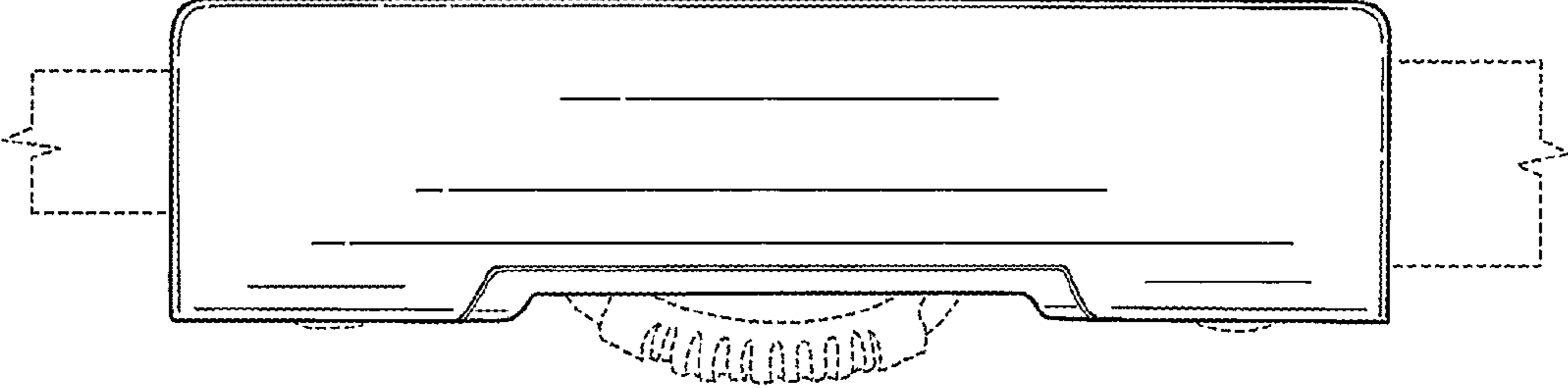


FIG. 1

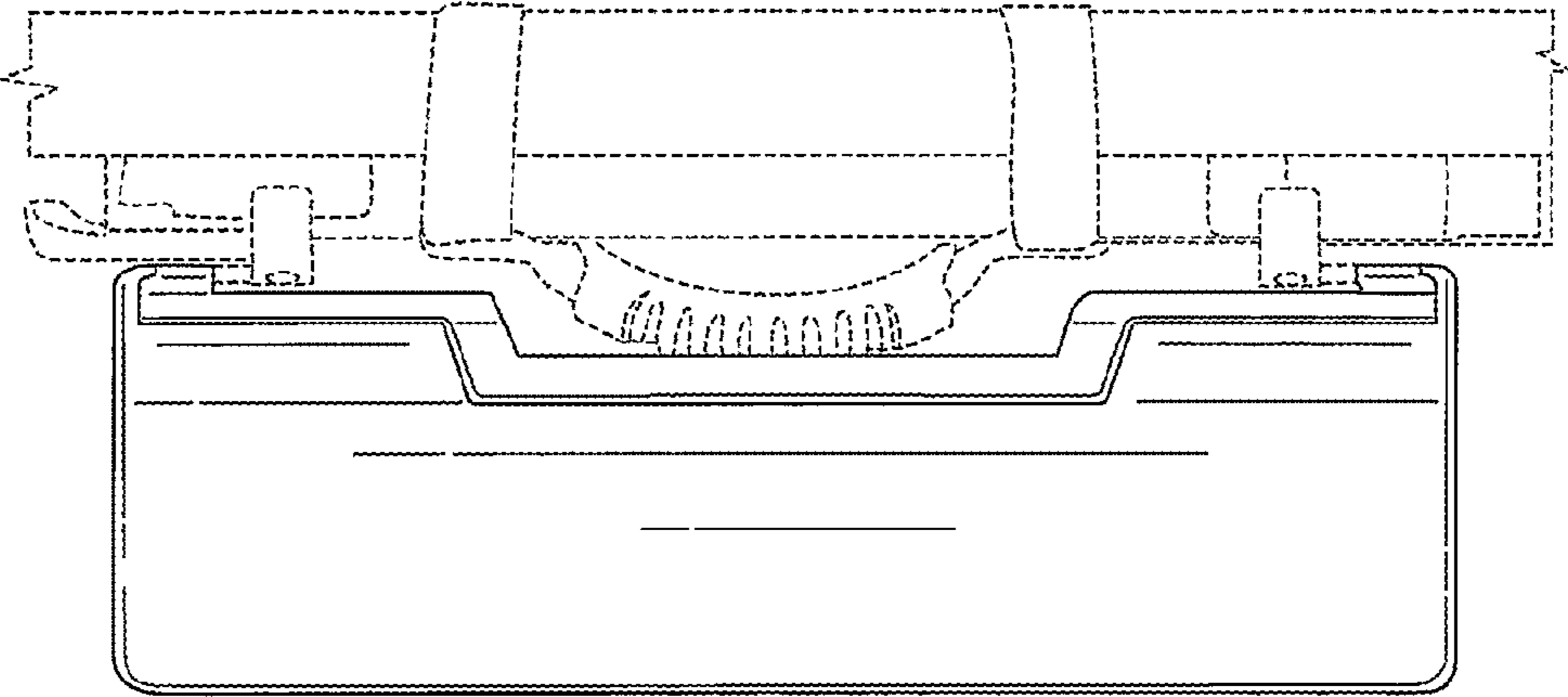


FIG. 2

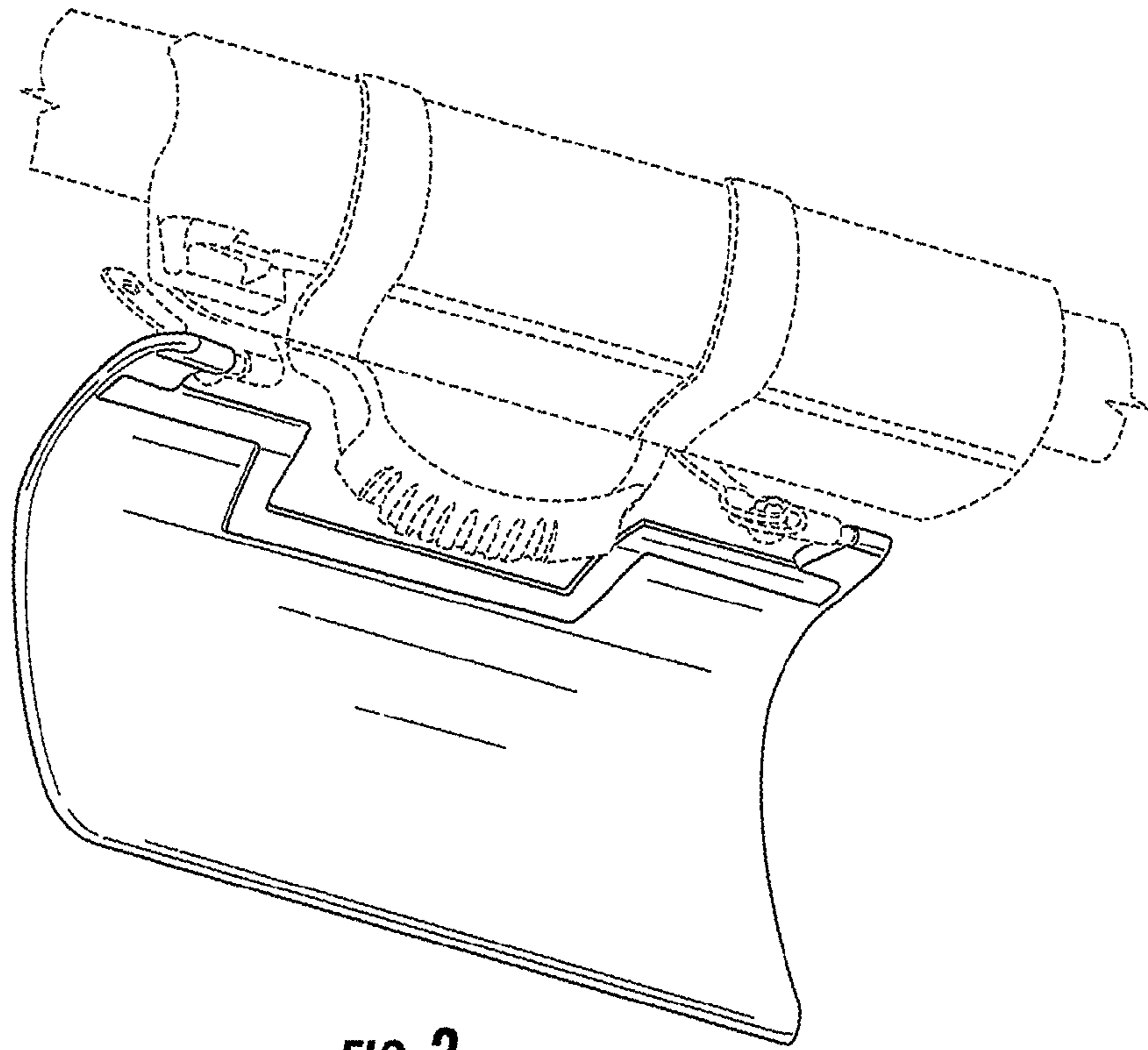


FIG. 3

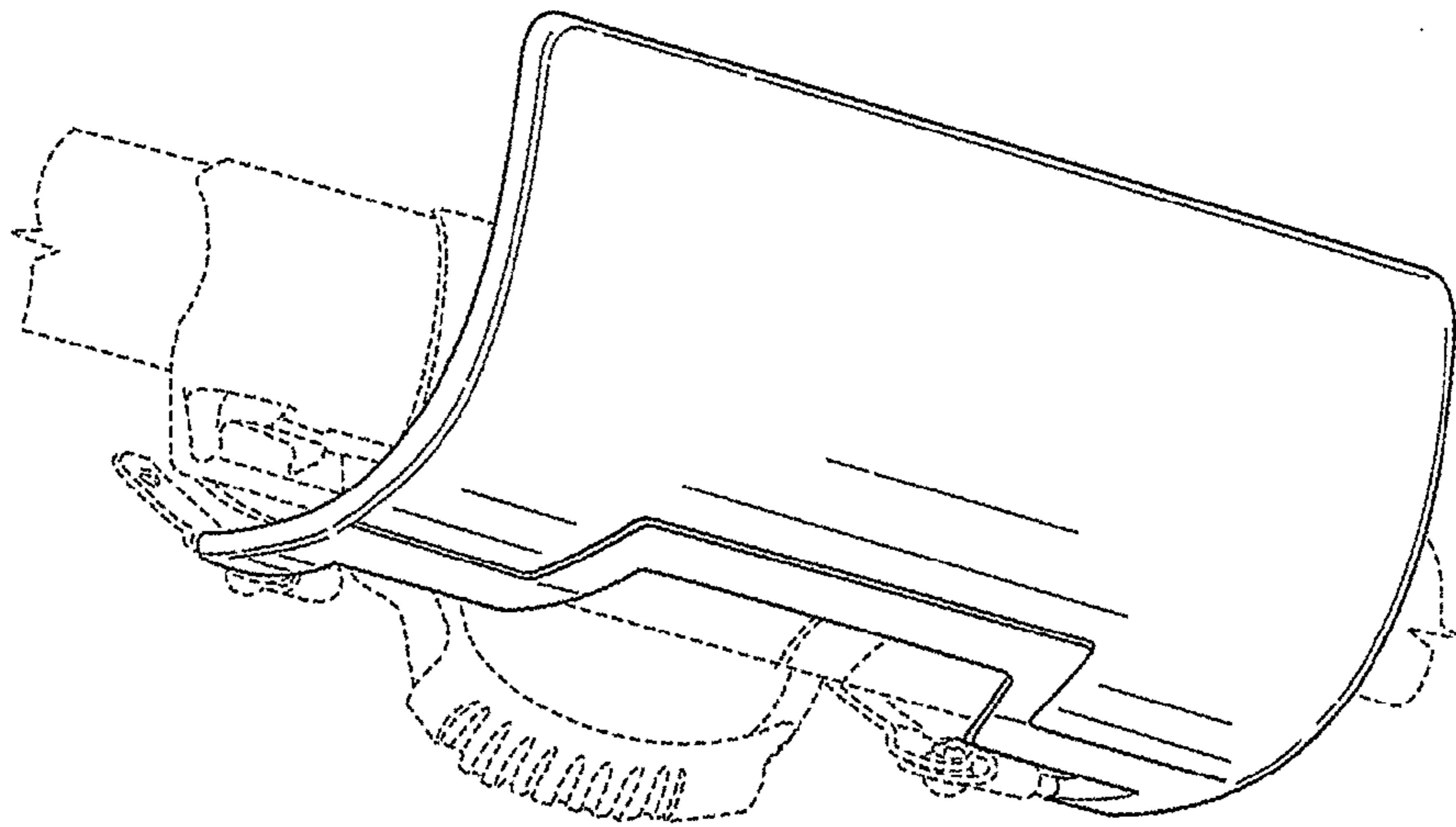


FIG. 4