

US00D762538S

(12) **United States Design Patent**  
**Platto et al.**

(10) **Patent No.:** **US D762,538 S**

(45) **Date of Patent:** **\*\* Aug. 2, 2016**

(54) **VEHICLE FENDER**

(71) Applicant: **Ford Motor Company**, Dearborn, MI (US)

(72) Inventors: **Gordon Platto**, Troy, MI (US); **Sean Tant**, Livonia, MI (US); **William K. Moore**, West Bloomfield, MI (US); **Richard Howard**, Brighton, MI (US)

(73) Assignee: **Ford Motor Company**, Dearborn, MI (US)

(\*\*) Term: **15 Years**

(21) Appl. No.: **29/537,735**

(22) Filed: **Aug. 28, 2015**

(51) **LOC (10) Cl.** ..... **12-16**

(52) **U.S. Cl.**  
USPC ..... **D12/184**

(58) **Field of Classification Search**  
USPC ..... D12/88, 90, 91, 92, 181, 184, 196, 400;  
D21/424, 433, 434; 280/847, 848, 849,  
280/727, 770; 296/180.1, 180.2, 180.5  
CPC ..... B62D 25/18; B62D 25/184; B62D 25/02;  
B62D 25/16; B62D 25/161; B62D 25/168  
See application file for complete search history.

(56) **References Cited**

**U.S. PATENT DOCUMENTS**

D524,876 S *	7/2006	Augustin	.....	D21/433
D562,202 S *	2/2008	Tant	.....	D12/184
D593,466 S *	6/2009	Williams	.....	D12/184
D626,045 S *	10/2010	Cogswell	.....	D12/181
D629,344 S *	12/2010	Komuro	.....	D12/181
D631,412 S *	1/2011	Matei	.....	D12/181
D641,671 S *	7/2011	Reid	.....	D12/181

D642,101 S *	7/2011	Faghihzadeh	.....	D12/181
D642,966 S *	8/2011	Messale	.....	D12/181
D645,803 S *	9/2011	Kumai	.....	D12/181
D683,679 S *	6/2013	Platto	.....	D12/184
D686,552 S *	7/2013	Weil	.....	D12/184
D693,272 S *	11/2013	Burki	.....	D12/90
D699,644 S *	2/2014	Futschik	.....	D12/181
D707,600 S *	6/2014	Johnson	.....	D12/184
D716,709 S *	11/2014	Thole	.....	D12/184
D718,688 S *	12/2014	Thole	.....	D12/184
D721,314 S *	1/2015	Platto	.....	D12/184
D731,924 S *	6/2015	Lian	.....	D12/91
2015/0108792 A1 *	4/2015	Mildner	.....	B60K 15/05 296/198
2016/0059901 A1 *	3/2016	Joseph	.....	B62D 25/18 296/198

\* cited by examiner

*Primary Examiner* — Rosemary K Tarcza

*Assistant Examiner* — Yolanda Robinson

(74) *Attorney, Agent, or Firm* — Damian Porcari

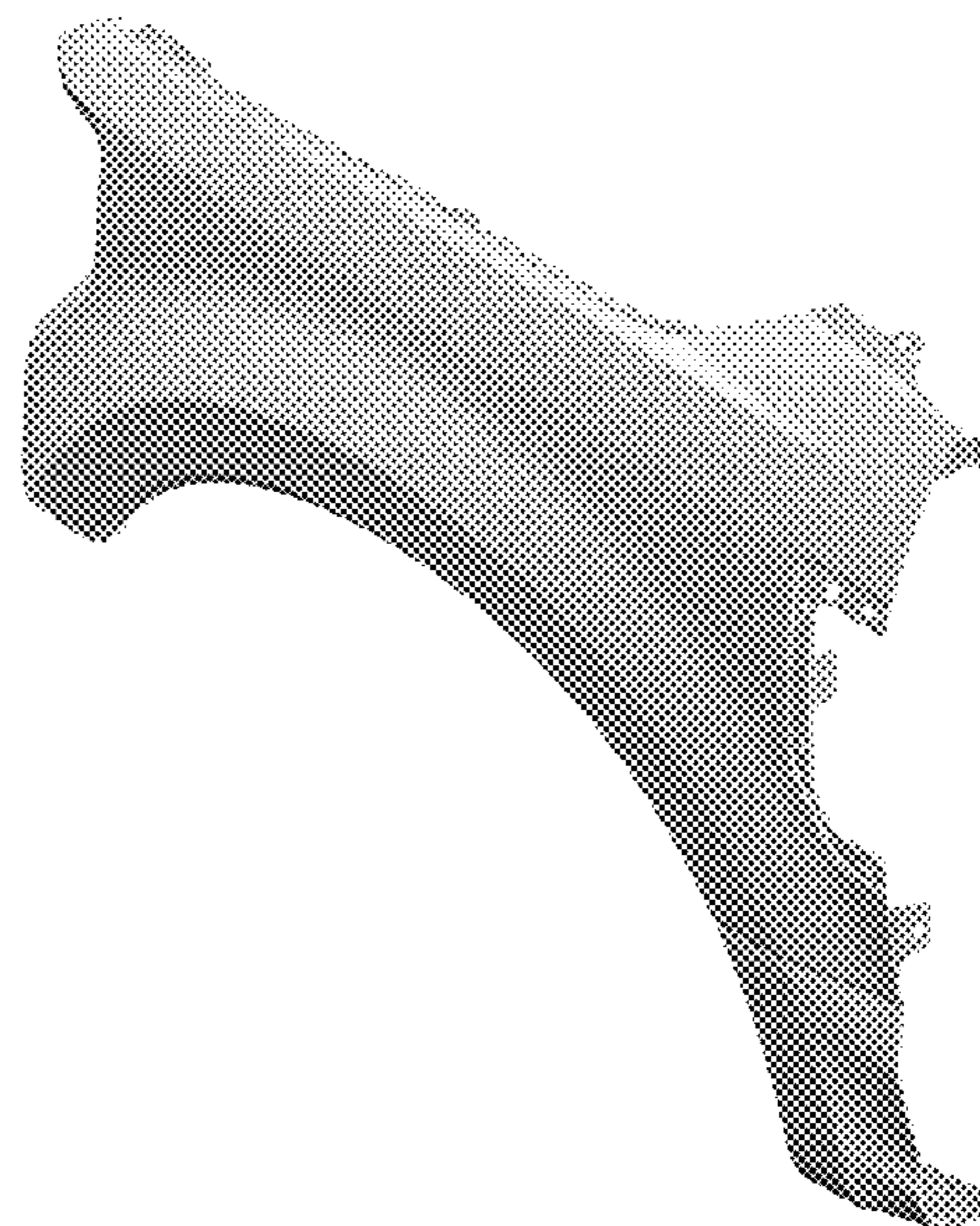
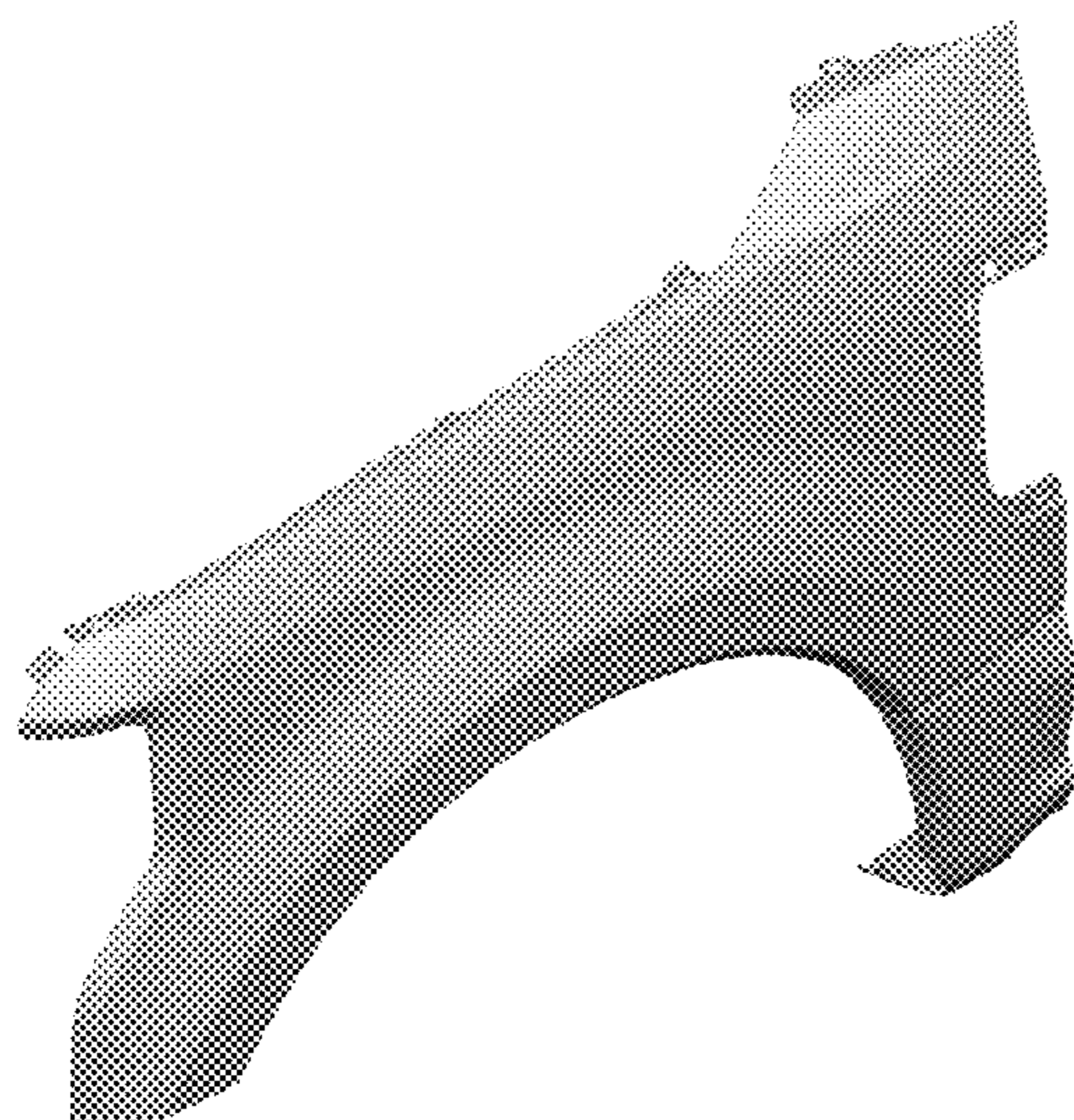
(57) **CLAIM**

The ornamental design for a vehicle fender, as shown and described.

**DESCRIPTION**

FIG. 1 is a top perspective view of a left vehicle fender (the right vehicle fender being a mirror image, and is not shown); FIG. 2 is a top perspective view thereof; FIG. 3 is a top rear perspective view thereof; FIG. 4 is a front elevational view thereof; FIG. 5 is a rear elevational view thereof; FIG. 6 is a left side elevational view thereof; FIG. 7 is a right side elevational view thereof; FIG. 8 is a top plan view thereof; and, FIG. 9 is a bottom plan view thereof.

**1 Claim, 9 Drawing Sheets**



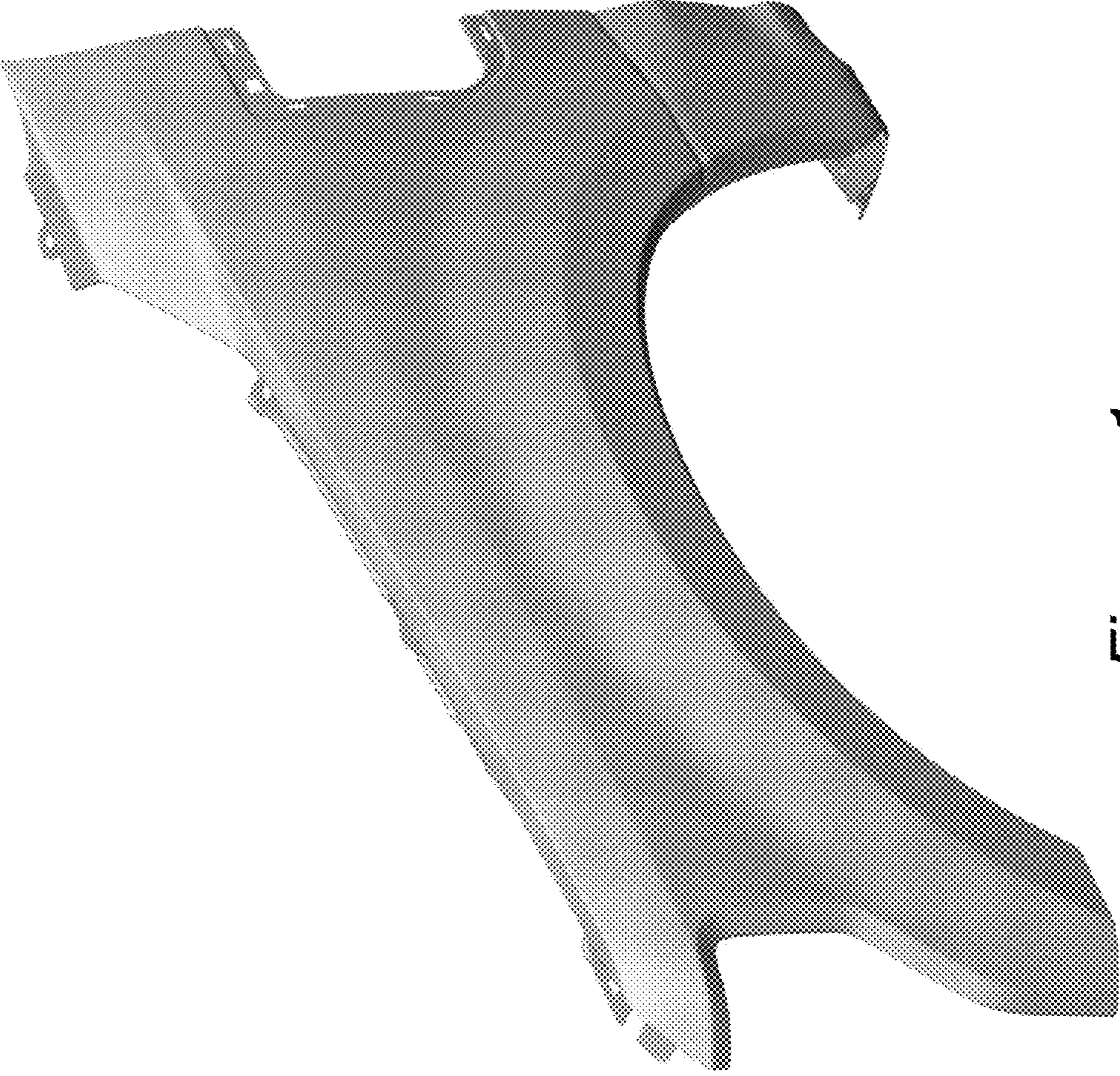


Figure 1

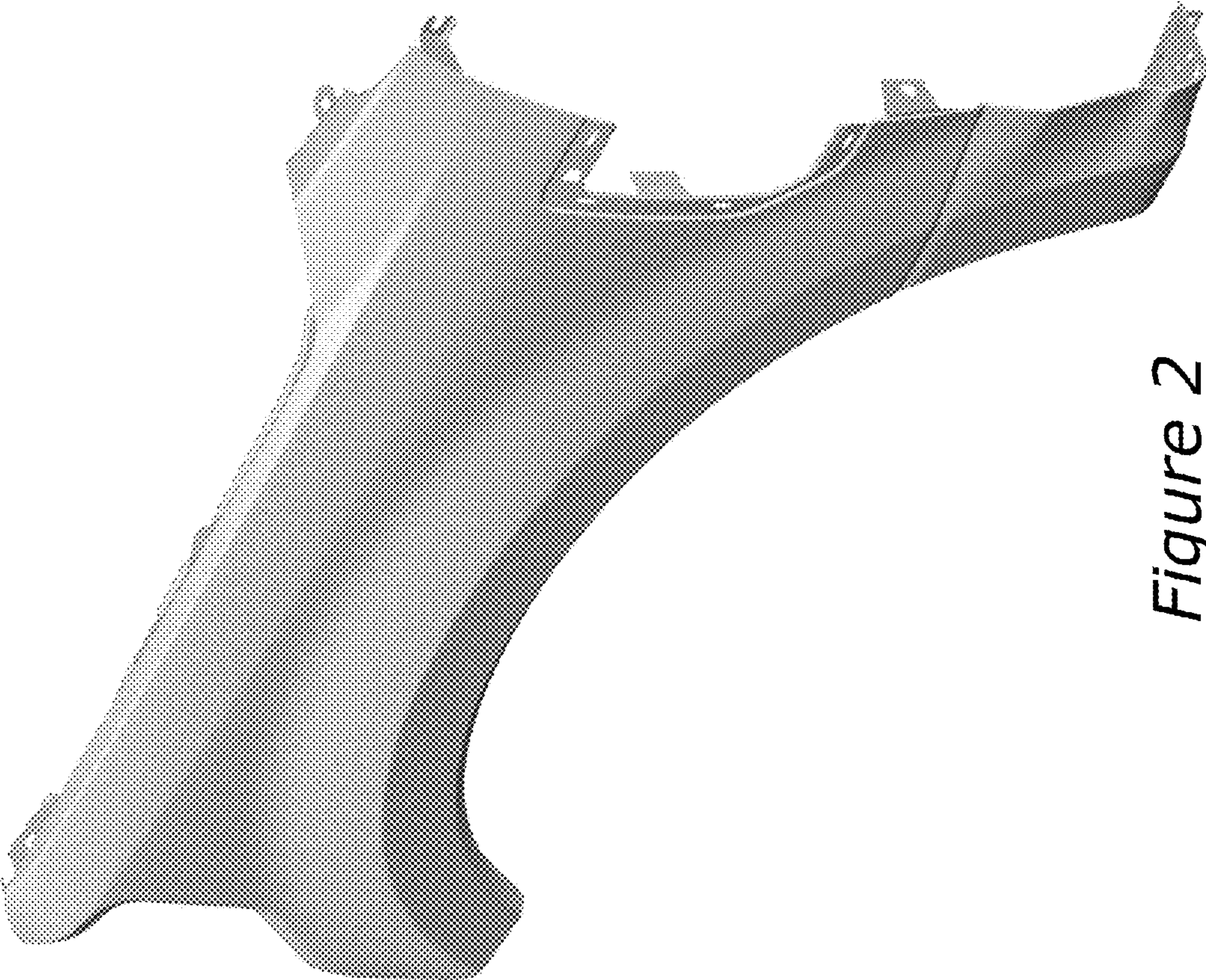


Figure 2

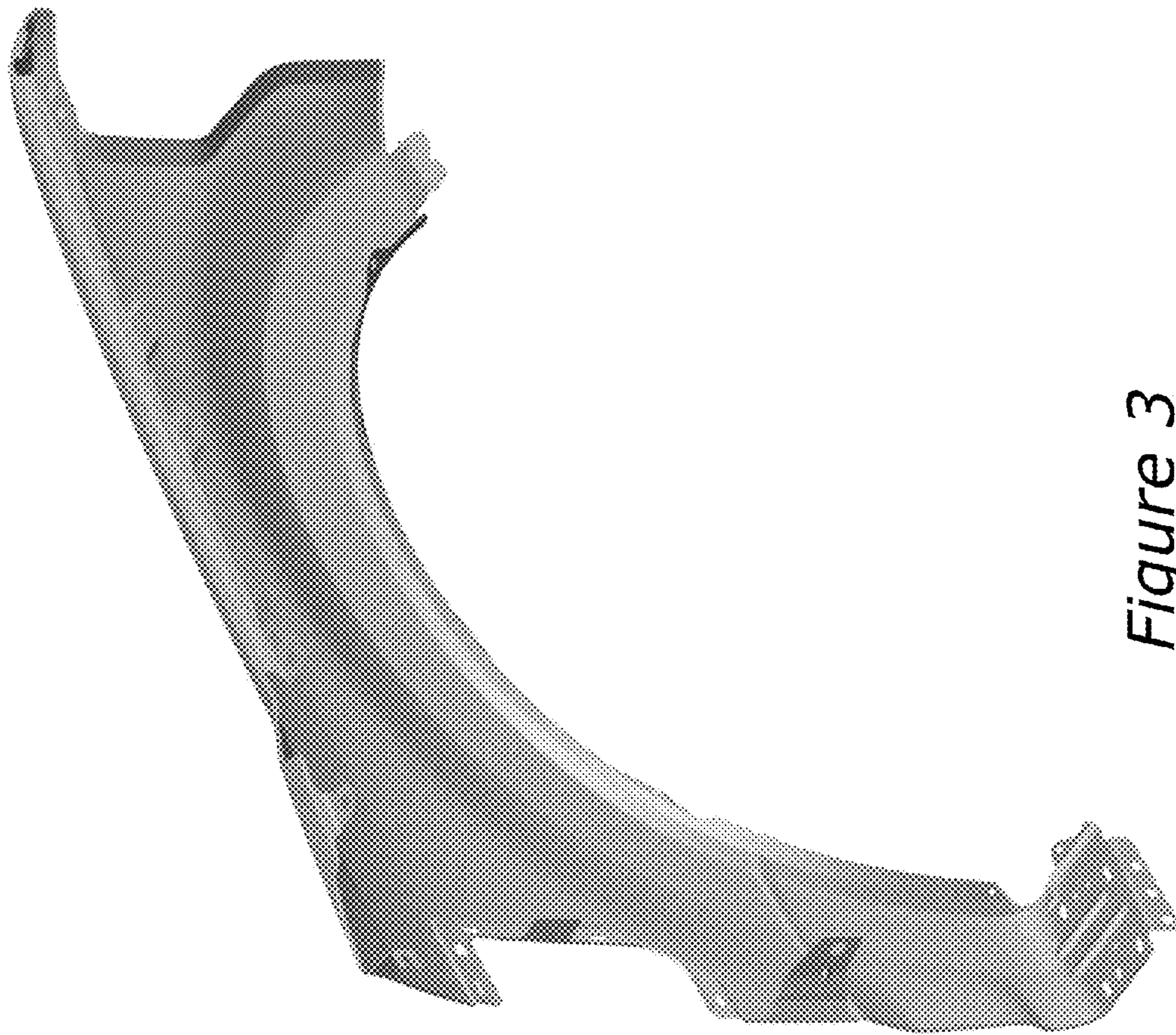


Figure 3

Figure 4

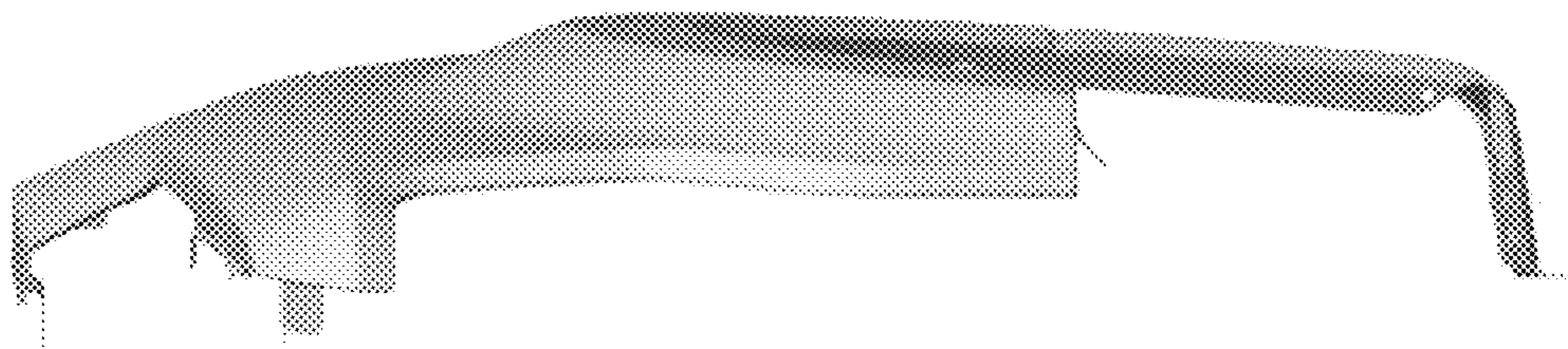




Figure 5



Figure 6

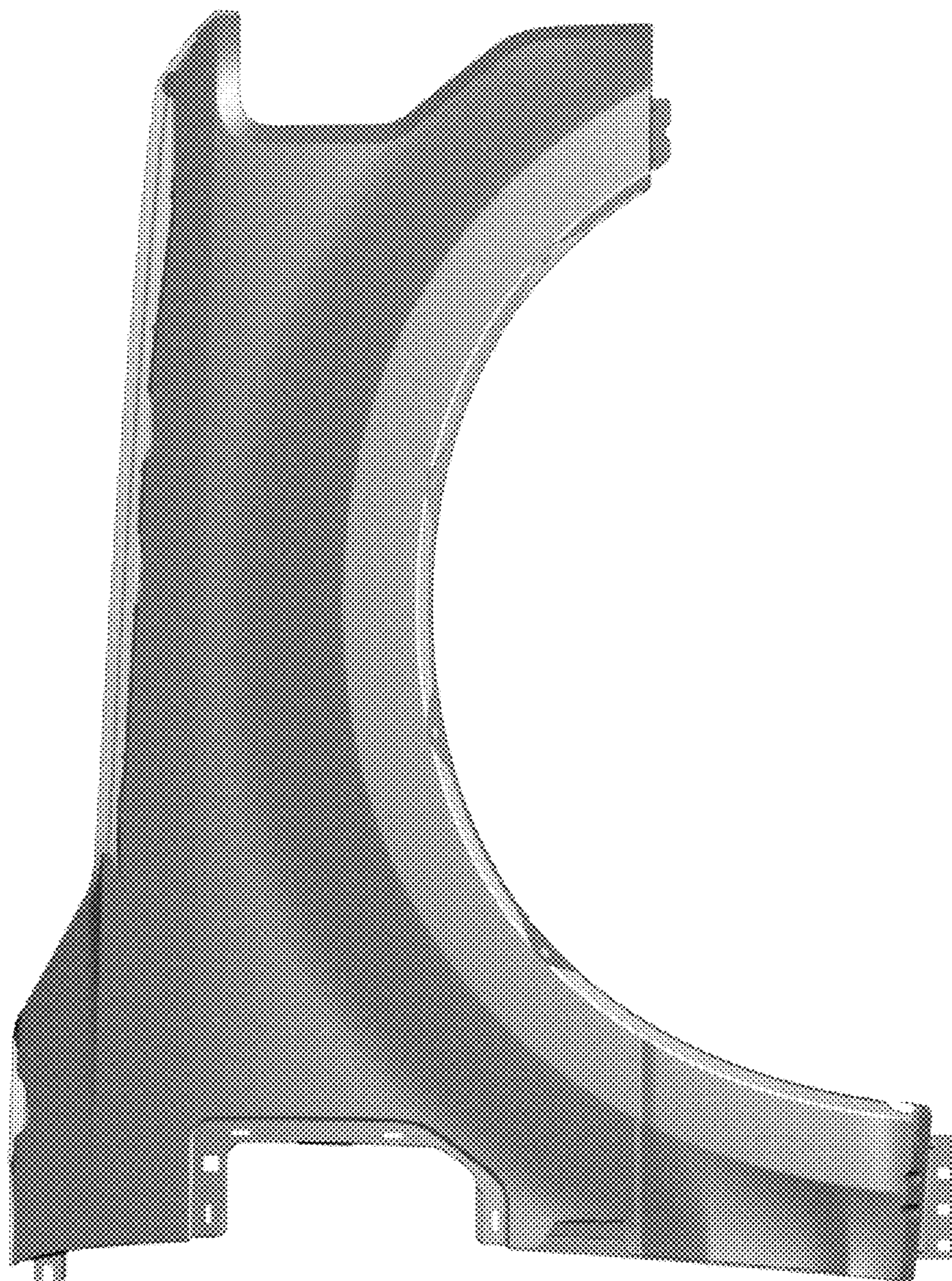


Figure 7



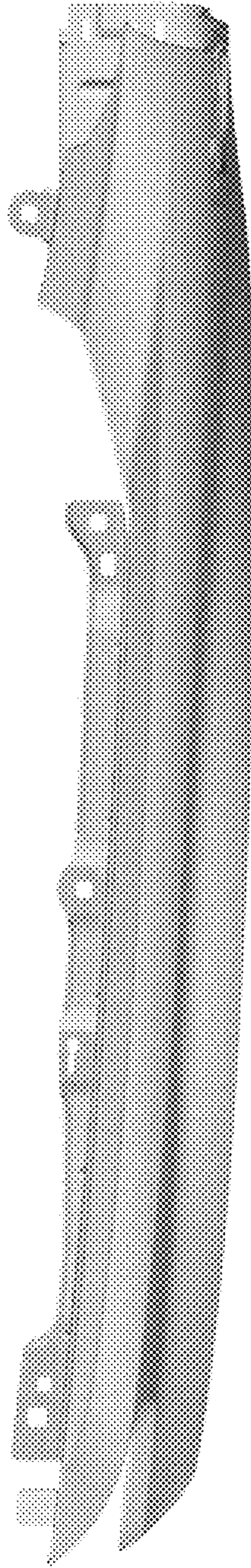


Figure 8

Figure 9

