



US00D762537S

(12) **United States Design Patent**
Owaku

(10) **Patent No.:** **US D762,537 S**
(45) **Date of Patent:** **** Aug. 2, 2016**

- (54) **STEERING PAD FOR AUTOMOBILE**
- (71) Applicant: **HONDA MOTOR CO., LTD.**, Tokyo (JP)
- (72) Inventor: **Yu Owaku**, Wako (JP)
- (73) Assignee: **HONDA MOTOR CO., LTD.**, Tokyo (JP)
- (**) Term: **15 Years**
- (21) Appl. No.: **29/531,893**
- (22) Filed: **Jun. 30, 2015**
- (30) **Foreign Application Priority Data**
Jan. 6, 2015 (JP) 2015-000136
- (51) **LOC (10) Cl.** **12-16**
- (52) **U.S. Cl.**
USPC **D12/177**
- (58) **Field of Classification Search**
USPC D12/175, 176, 177; D14/401, 414; D21/333, 385, 477, 566; 340/475; 280/728.2, 728.3, 731; 74/552, 558, 74/558.5
CPC B60R 21/00; B60R 2/203; B60R 21/215; B60R 21/216; B62D 1/04; B60Q 3/004
See application file for complete search history.

- 8,651,680 B2 * 2/2014 Rick B60Q 3/008 280/731
- 8,672,346 B2 * 3/2014 Uehara B60R 21/2037 200/61.55
- D708,100 S * 7/2014 Nakai D12/177
- D710,270 S * 8/2014 Kanki D12/176
- 8,925,959 B2 * 1/2015 Bosch B60R 21/203 280/728.3
- 9,027,955 B2 * 5/2015 Muramatsu B60R 21/2165 280/728.2
- 2007/0210562 A1 * 9/2007 Vigeant B60R 21/2035 280/731
- 2009/0085334 A1 * 4/2009 Matsu B60R 21/2037 280/731
- 2009/0261560 A1 * 10/2009 Nakagawa B60R 21/2037 280/731
- 2010/0102538 A1 * 4/2010 Paxton B60Q 3/004 280/728.3
- 2011/0101653 A1 * 5/2011 Rick B60R 21/21656 280/728.3
- 2011/0109066 A1 * 5/2011 Rick B60R 21/21656 280/728.3
- 2011/0116251 A1 * 5/2011 Rick B60Q 3/008 362/84

(Continued)

Primary Examiner — Rosemary K Tarcza
Assistant Examiner — Yolanda Robinson
(74) *Attorney, Agent, or Firm* — Westerman, Hattori, Daniels & Adrian, LLP

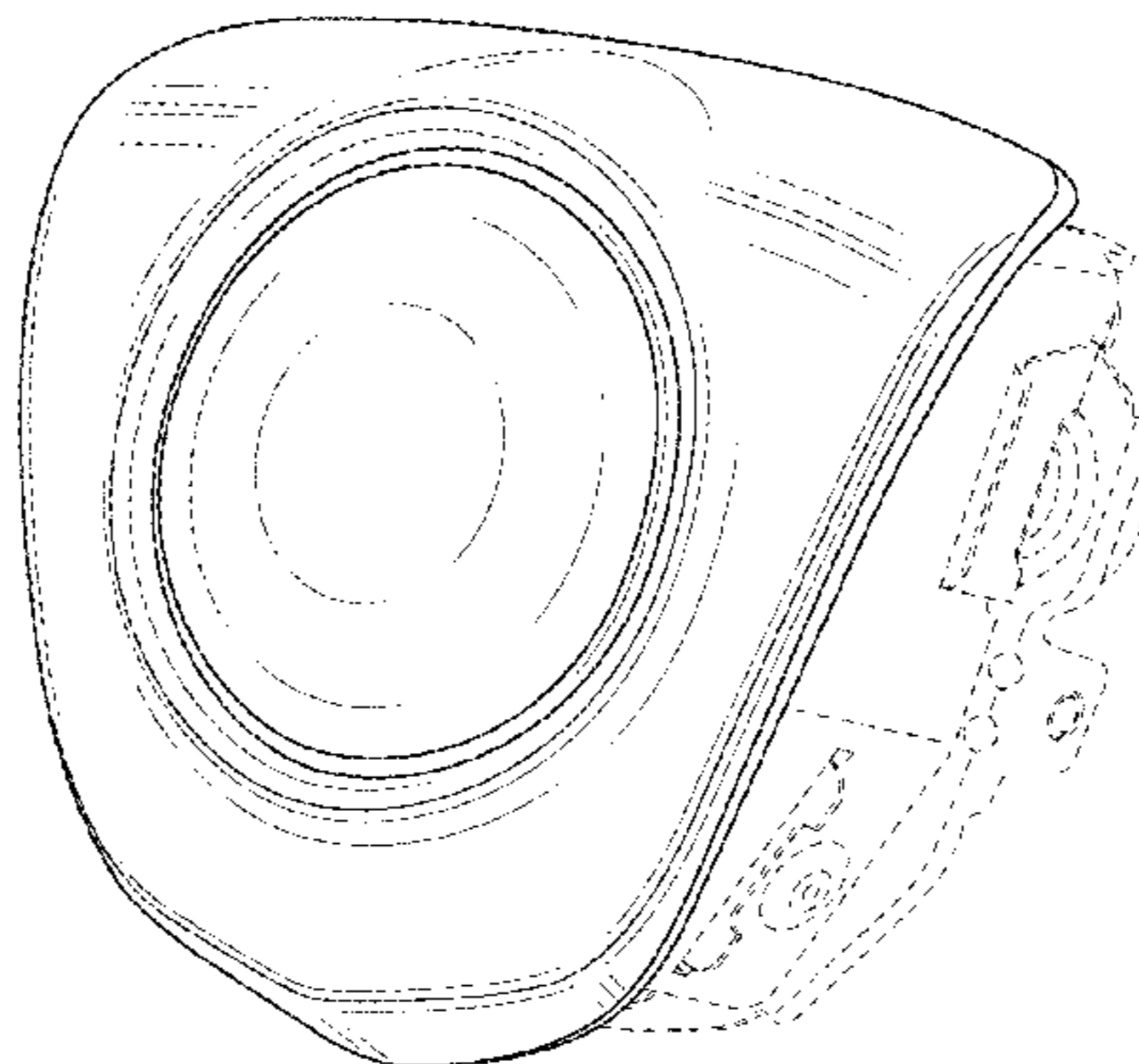
(57) **CLAIM**
The ornamental design for a steering pad for automobile, as shown and described.

- (56) **References Cited**
U.S. PATENT DOCUMENTS
7,390,013 B2 * 6/2008 Chavez B60R 21/21656 280/728.3
- 7,556,282 B2 * 7/2009 Vigeant B60R 21/2035 280/728.2
- D679,637 S * 4/2013 Mihashi D12/177
- 8,419,052 B2 * 4/2013 Yamaji B60R 21/2037 280/728.2
- 8,448,982 B2 * 5/2013 Yamaji B60R 21/2037 280/728.2
- 8,585,082 B2 * 11/2013 Yamaji B60Q 5/003 280/731

DESCRIPTION

FIG. 1 is a perspective view from the front side of a steering pad for automobile.
FIG. 2 is a front elevation view thereof.
FIG. 3 is a top plan view thereof.
FIG. 4 is a bottom plan view thereof; and,
FIG. 5 is a right side elevation view thereof.
The broken lines shown in the drawings illustrate portions of the steering pad for automobile that form no part of the claimed design.

1 Claim, 5 Drawing Sheets



(56)

References Cited

U.S. PATENT DOCUMENTS

2012/0228855	A1 *	9/2012	Yamaji	B60Q 5/003				
					280/731				
2012/0242065	A1 *	9/2012	Hayashi	B60R 21/2155				
					280/728.3				
2012/0306183	A1 *	12/2012	Yamaji	B60R 21/2037				
					280/731				
2012/0306184	A1 *	12/2012	Yamaji	B60R 21/2037				
					280/731				
2012/0313357	A1 *	12/2012	Yamaji	B60R 21/203				
					280/731				
2013/0106082	A1 *	5/2013	Uehara	B60R 21/2037				
					280/731				
2013/0277952	A1 *	10/2013	Jung	B60R 21/2165				
					280/728.3				
2013/0285355	A1 *	10/2013	Muramatsu	B60R 21/215				
					280/728.3				
2014/0062067	A1 *	3/2014	Hardin	B60R 21/21656				
					280/728.3				
2014/0210190	A1 *	7/2014	Bosch	B60R 21/203				
					280/728.3				
2014/0210191	A1 *	7/2014	Bosch	B60R 21/203				
					280/728.3				
2015/0069740	A1 *	3/2015	Onohara	B60R 21/203				
					280/728.3				
2015/0091277	A1 *	4/2015	Nonoyama	B60R 21/215				
					280/728.3				
2015/0108742	A1 *	4/2015	Bosch	B60R 21/203				
					280/728.3				
2015/0210239	A1 *	7/2015	Sakaguchi	B60R 21/203				
					280/728.2				
2015/0239417	A1 *	8/2015	Kawabe	B60R 13/005				
					280/728.2				
2015/0307050	A1 *	10/2015	Smith	B60R 21/217				
					280/728.2				
2015/0336529	A1 *	11/2015	Nebel	B60R 21/2037				
					280/728.2				
2015/0344059	A1 *	12/2015	Kim	B62D 1/046				
					74/552				
2015/0353046	A1 *	12/2015	Smith	B60R 21/217				
					280/728.2				

* cited by examiner

FIG. 1

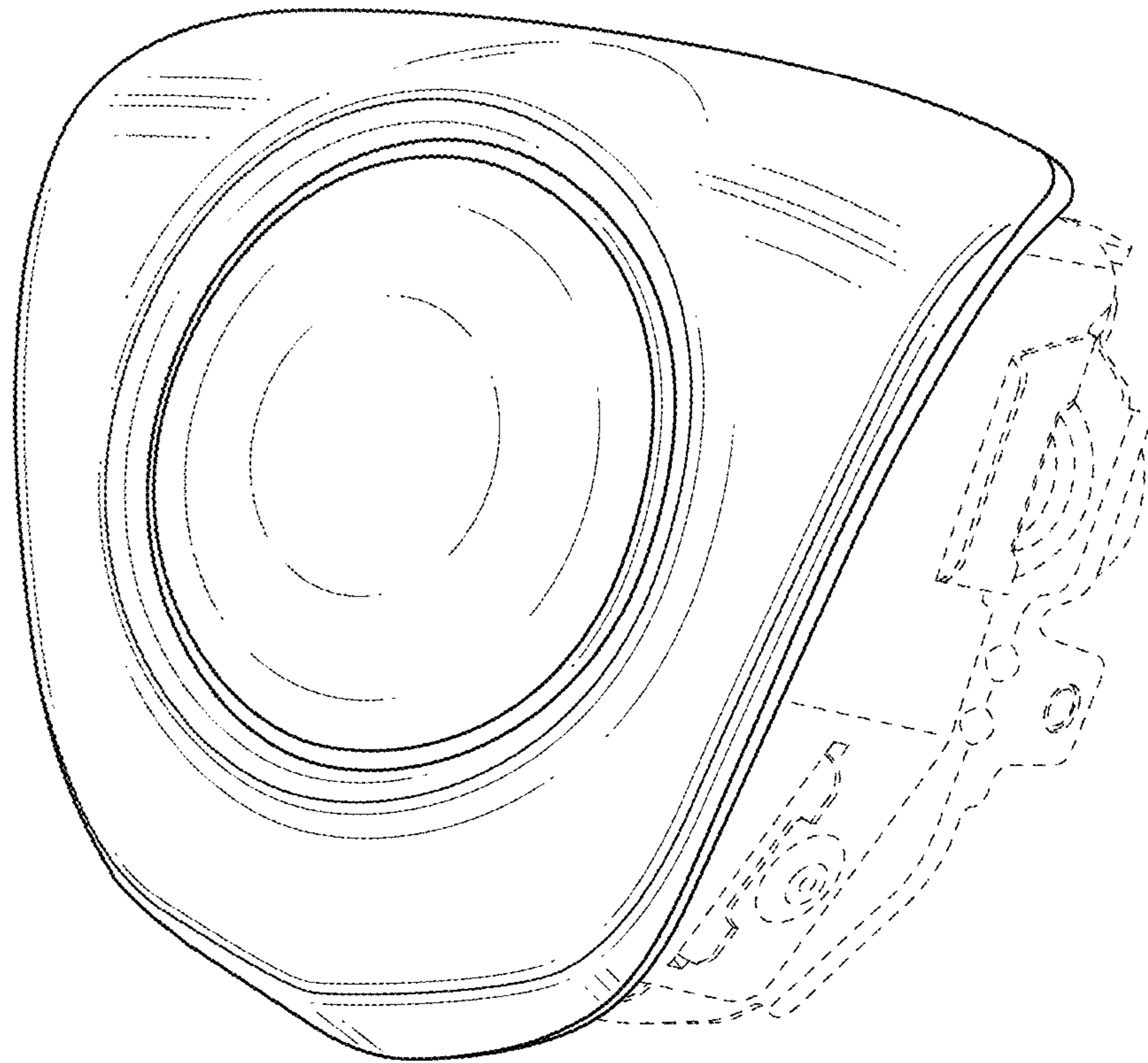


FIG. 2

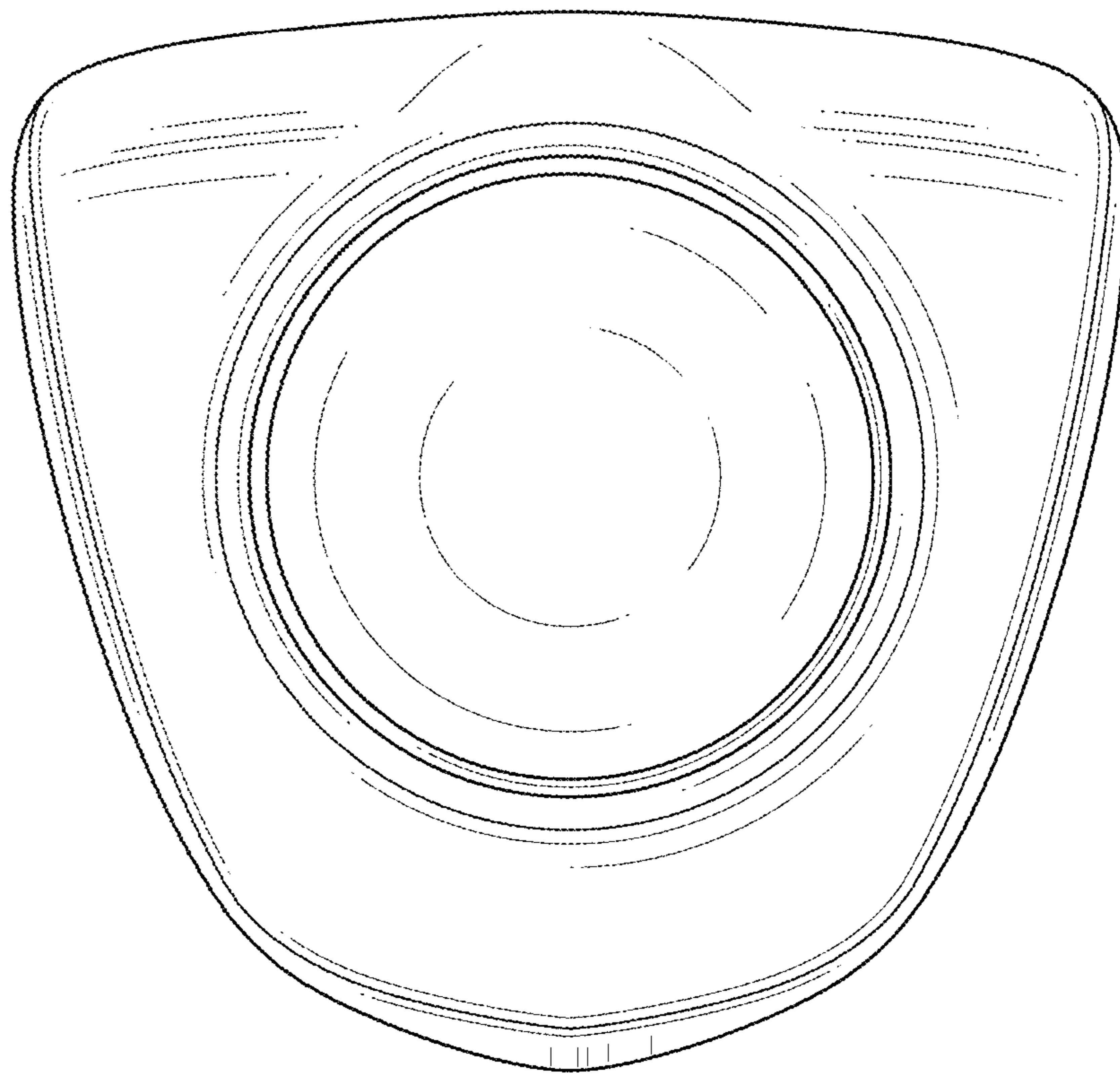


FIG. 3

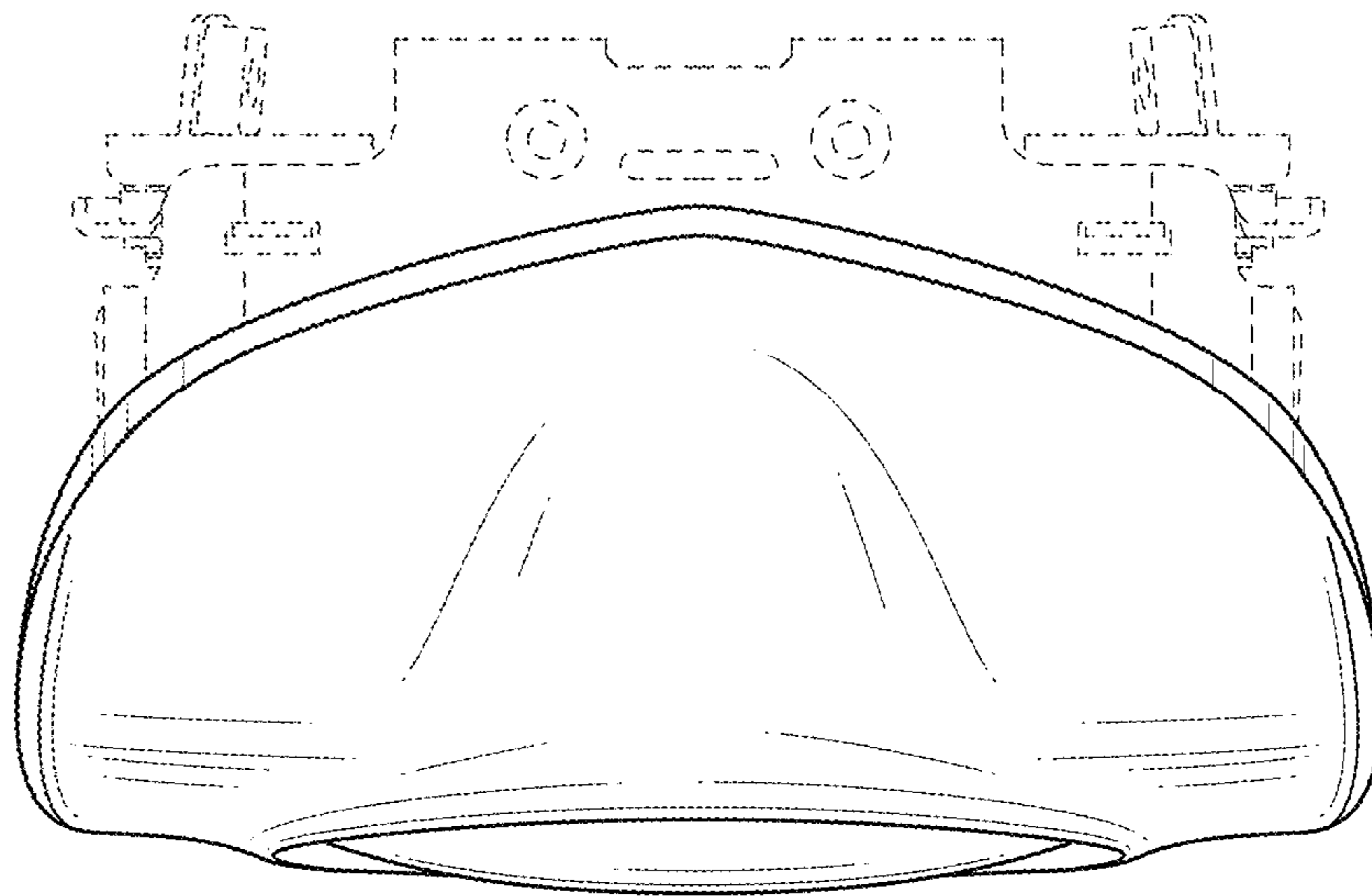


FIG. 4

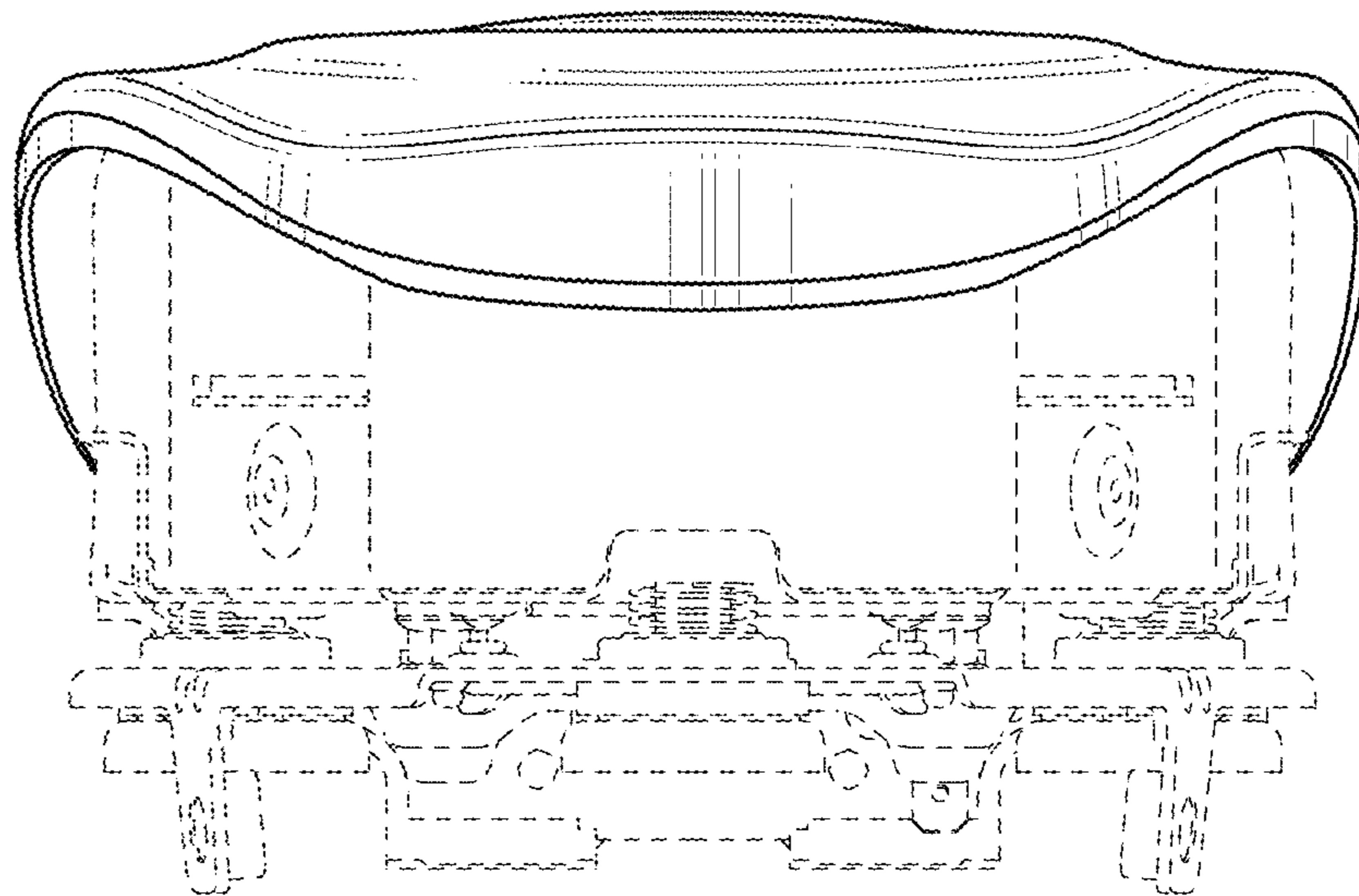


FIG. 5

