

US00D762531S

(12) **United States Design Patent**
Platto et al.

(10) **Patent No.:** **US D762,531 S**

(45) **Date of Patent:** **** Aug. 2, 2016**

(54) **VEHICLE FRONT UPPER BUMPER COVER**

(56) **References Cited**

(71) Applicant: **Ford Motor Company**, Dearborn, MI (US)

U.S. PATENT DOCUMENTS

(72) Inventors: **Gordon M Platto**, Troy, MI (US);
Bradley A Richards, Beverly Hills, MI (US); **Dong H Park**, Royal Oak, MI (US); **William K Moore**, West Bloomfield, MI (US)

D680,922 S *	4/2013	Jara	D12/169
D701,801 S *	4/2014	Campbell	D12/169
D704,106 S *	5/2014	Borkert	D12/169
D711,794 S *	8/2014	Okamura	D12/169
D733,625 S *	7/2015	Morikawa	D12/169
D748,543 S *	2/2016	Nissl	D12/169

* cited by examiner

(73) Assignee: **Ford Motor Company**, Dearborn, MI (US)

Primary Examiner — Melody N Brown

(74) *Attorney, Agent, or Firm* — Damian Porcari

(**) Term: **14 Years**

(57) **CLAIM**

The ornamental design for a vehicle front upper bumper cover, as shown and described.

(21) Appl. No.: **29/513,832**

DESCRIPTION

(22) Filed: **Jan. 6, 2015**

(51) **LOC (10) Cl.** **12-16**

(52) **U.S. Cl.**
USPC **D12/169**

(58) **Field of Classification Search**
USPC D12/169, 163, 196, 171, 90-92, 216;
293/102, 113, 115, 117, 120;
296/180.1, 180.2

FIG. 1 is a top left perspective view of a vehicle front upper bumper cover;
FIG. 2 is a top right perspective view thereof;
FIG. 3 is a top rear perspective view thereof;
FIG. 4 is a front elevational view thereof;
FIG. 5 is a rear elevational view thereof;
FIG. 6 is a left side elevational view thereof;
FIG. 7 is a right side elevational view thereof;
FIG. 8 is a top plan view thereof; and,
FIG. 9 is a bottom plan view thereof.

CPC ... B60R 19/52; B60R 2019/25; B62D 25/084
See application file for complete search history.

1 Claim, 9 Drawing Sheets



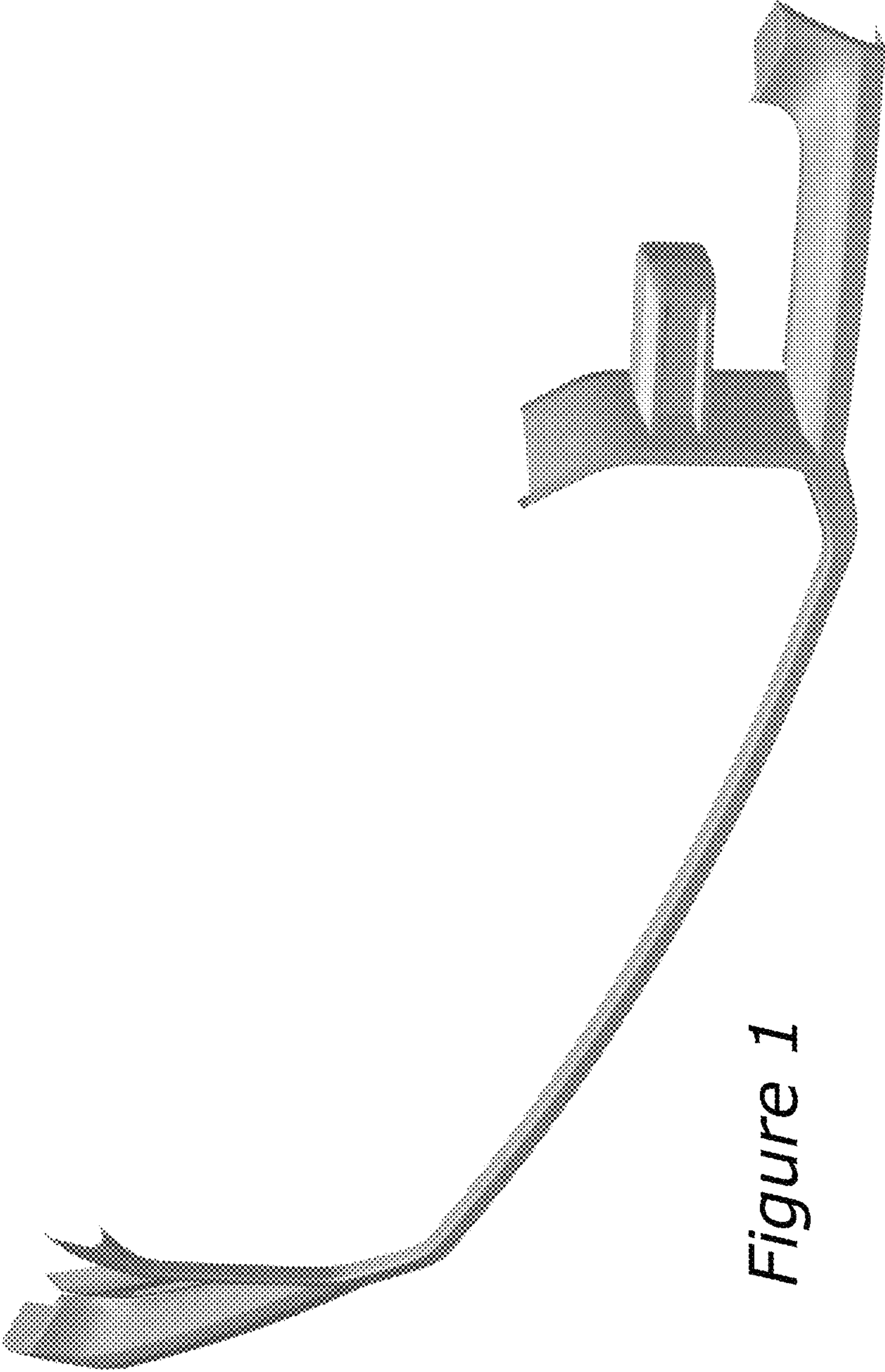


Figure 1

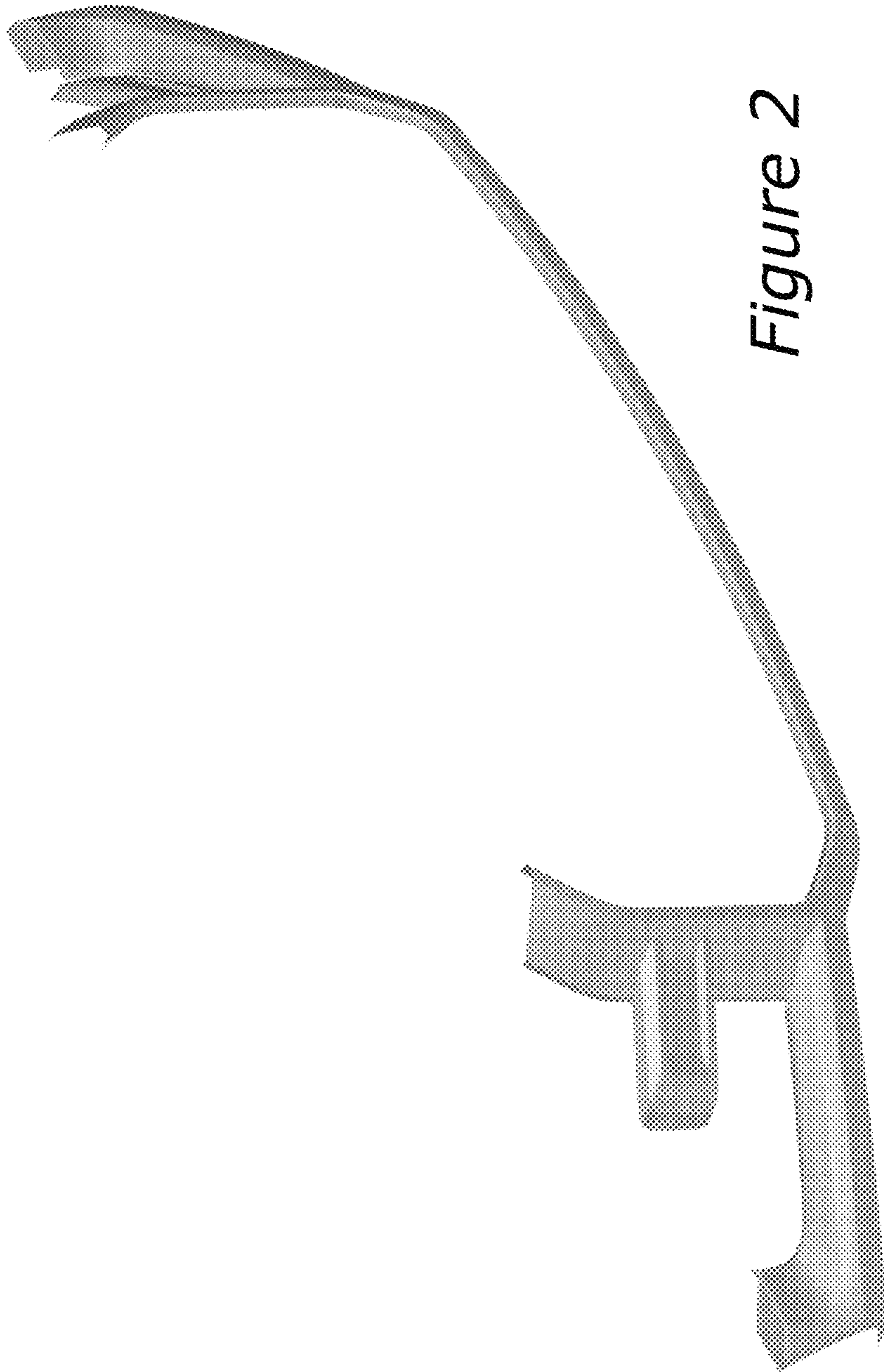


Figure 2

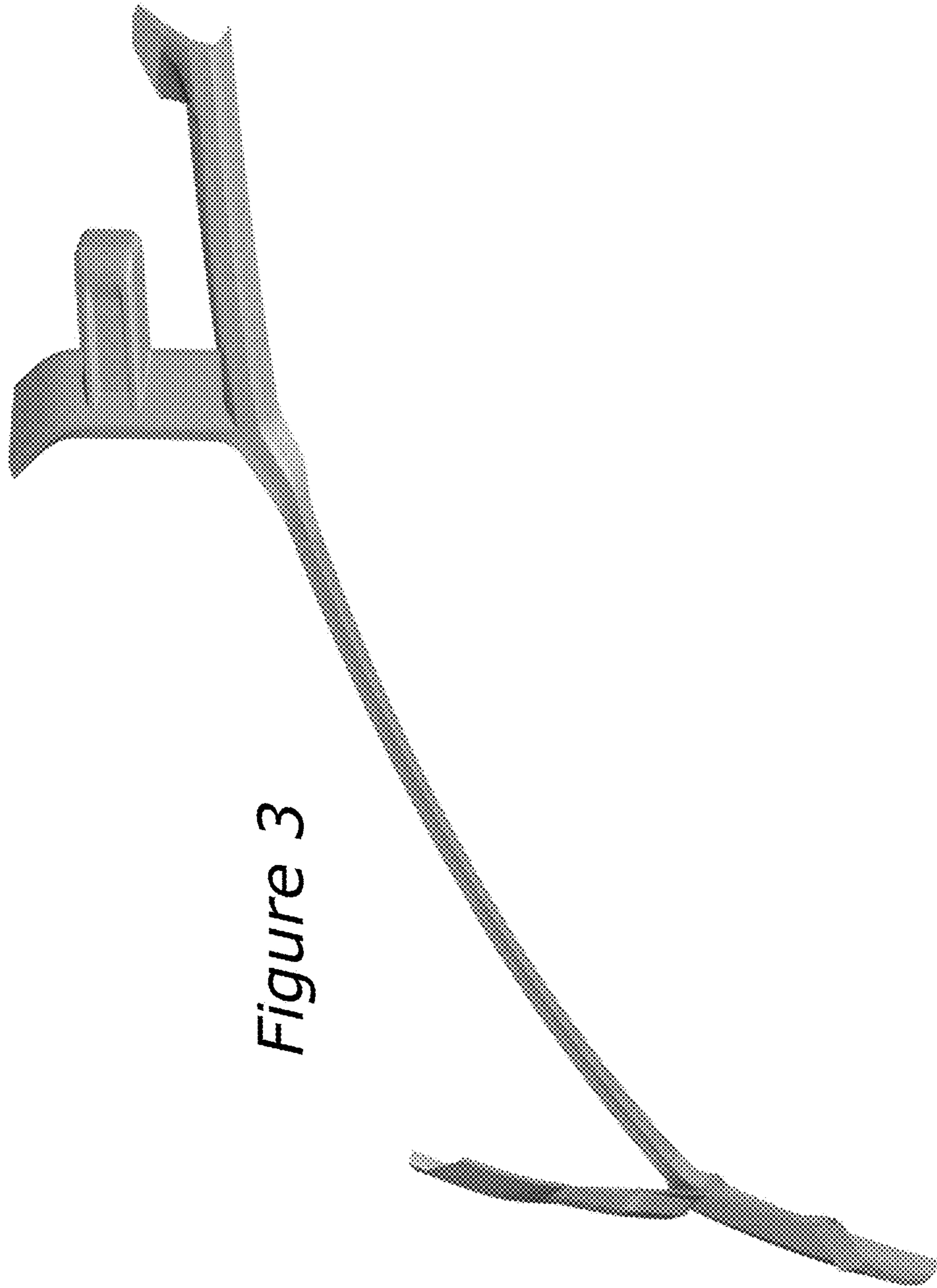


Figure 3



Figure 4



Figure 5

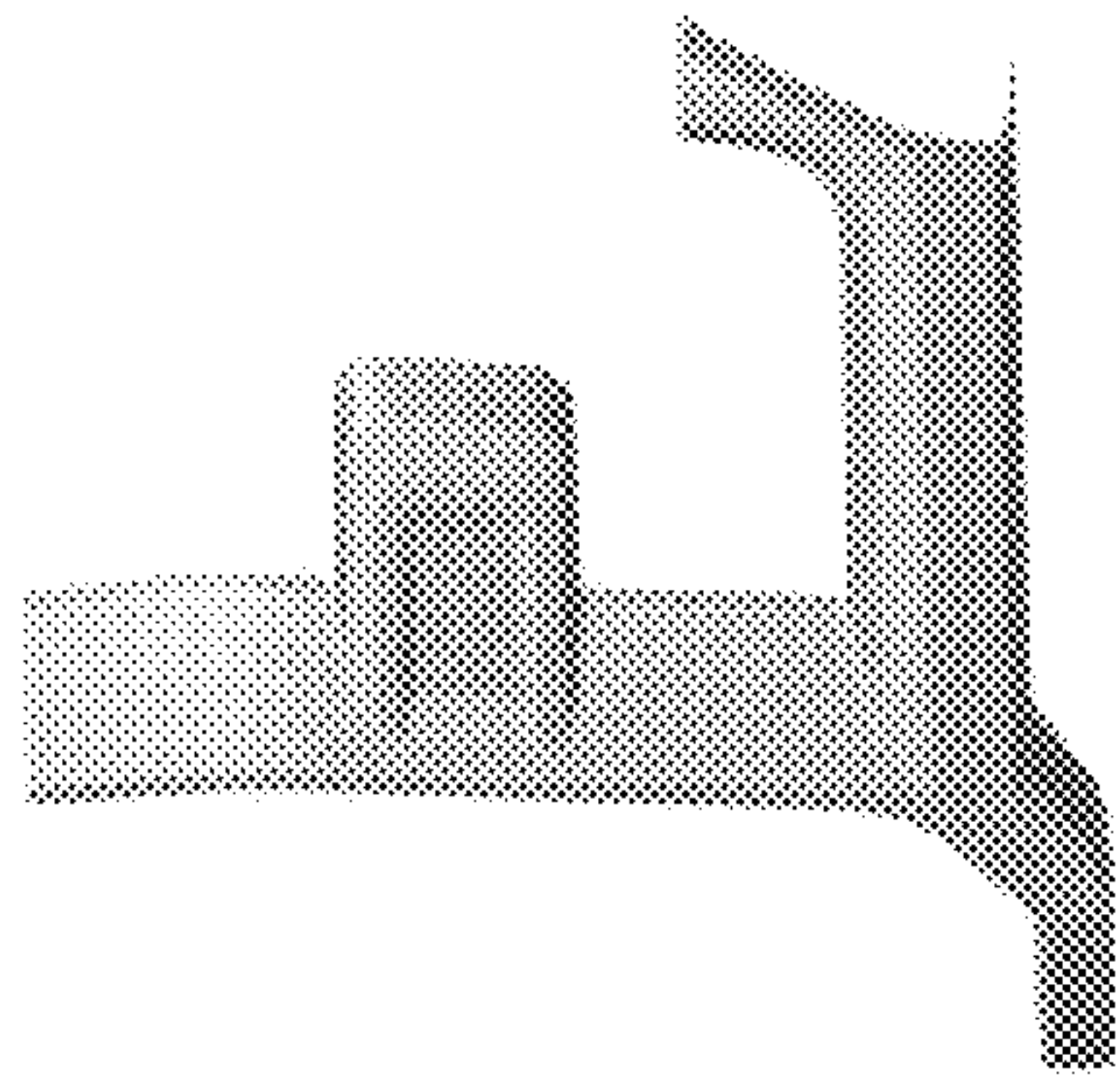


Figure 6

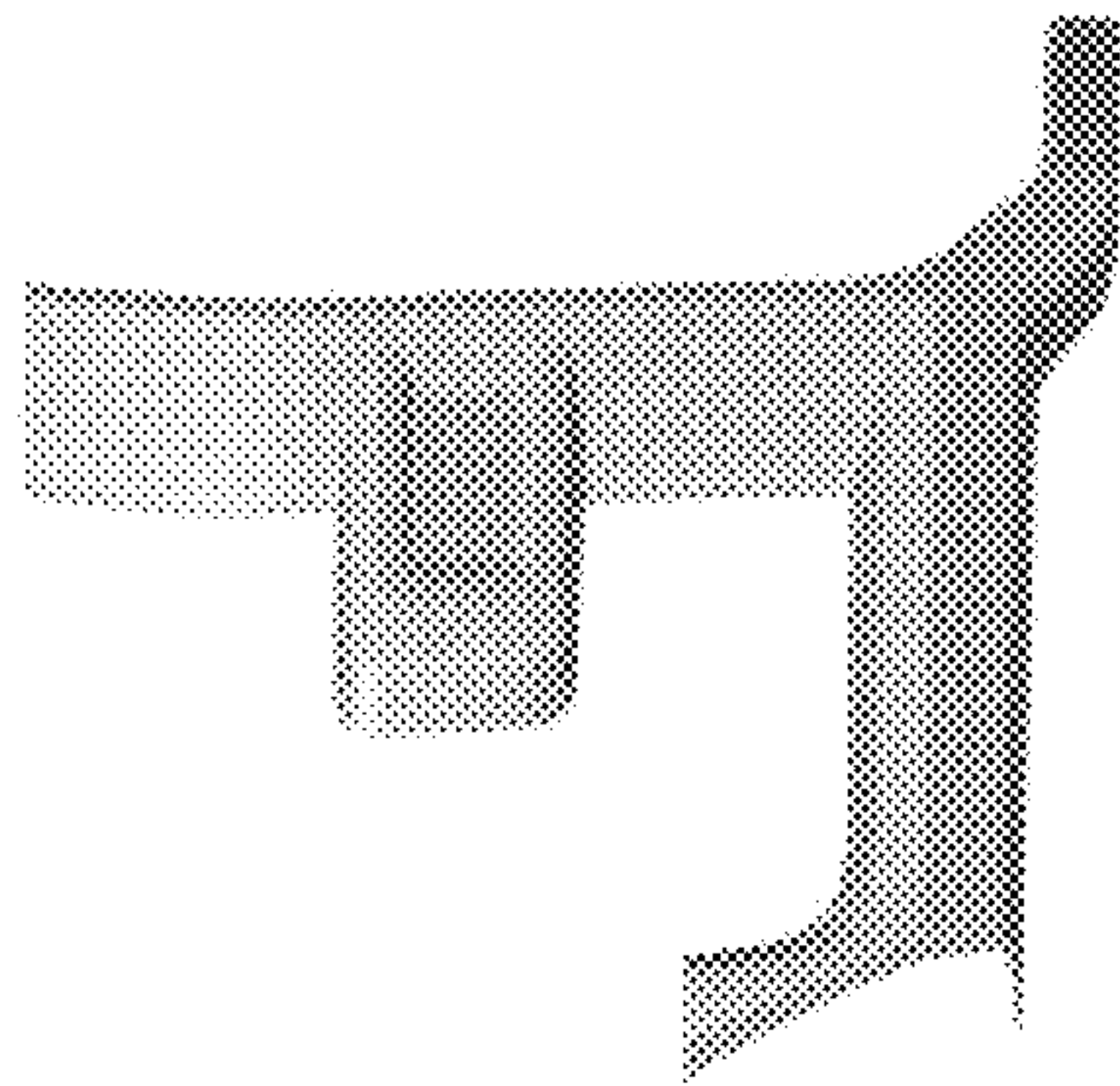


Figure 7

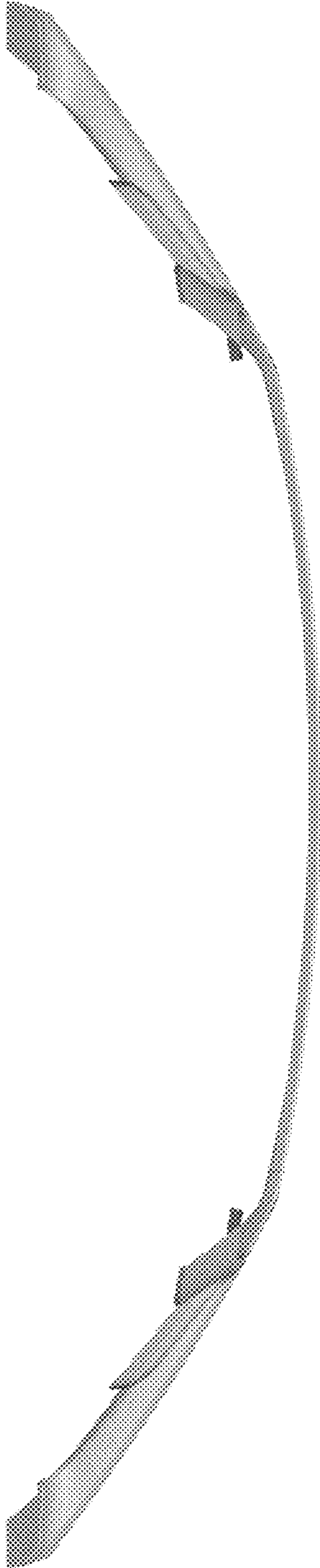


Figure 8

Figure 9

