

US00D762528S

(12) **United States Design Patent**
Allard et al.

(10) **Patent No.:** **US D762,528 S**
(45) **Date of Patent:** **** Aug. 2, 2016**

- (54) **VENT HOUSING**
- (71) Applicant: **DOMETIC SWEDEN AB**, Solna (SE)
- (72) Inventors: **James Allard**, Davisburg, MI (US);
Mark L. Smith, Buchanan, MI (US);
Hari Sunkara, Elkhart, IN (US)
- (73) Assignee: **Dometic Sweden AB**, Solna (SE)
- (**) Term: **14 Years**
- (21) Appl. No.: **29/493,405**
- (22) Filed: **Jun. 9, 2014**
- (51) **LOC (10) Cl.** **12-10**
- (52) **U.S. Cl.**
USPC **D12/106**
- (58) **Field of Classification Search**
USPC D12/100–106, 19, 129, 111–112;
D21/425, 435; D34/21–26, 12, 16–19
CPC B62D 35/02; B62D 35/00; B60P 3/1033;
B60P 3/10; A62B 3/005
See application file for complete search history.

6,179,034 B1 * 1/2001 Fuss B60J 7/003
160/105
7,021,006 B2 * 4/2006 Farrar B60J 1/2094
49/375
2015/0352924 A1 12/2015 Allard et al.

FOREIGN PATENT DOCUMENTS

AU	359397	12/2014
AU	359396	2/2015
CA	159763	11/2014
CN	201430506186.9	12/2014
EP	002591586	2/2015
WO	2015191029	12/2015

* cited by examiner

Primary Examiner — Katrina A Betton

(74) *Attorney, Agent, or Firm* — Middleton Reutlinger

(57) **CLAIM**

We claim the ornamental design for a vent housing, as shown and described.

DESCRIPTION

Cross-reference is made to U.S. patent application Ser. No. 14/299,903 entitled “Shrouded Roof Vent for a Vehicle,” filed on Jun. 9, 2014, the same day as the present application and is expressly incorporated herein by reference.

FIG. 1 is a rear perspective view of a vent housing according to our new design;

FIG. 2 is a front perspective view of FIG. 1;

FIG. 3 is a front elevation view of FIG. 1, with the rear elevation view being a mirror image of FIG. 3; and,

FIG. 4 is a first side elevation view of FIG. 1, the second side elevation view being a mirror image of FIG. 4.

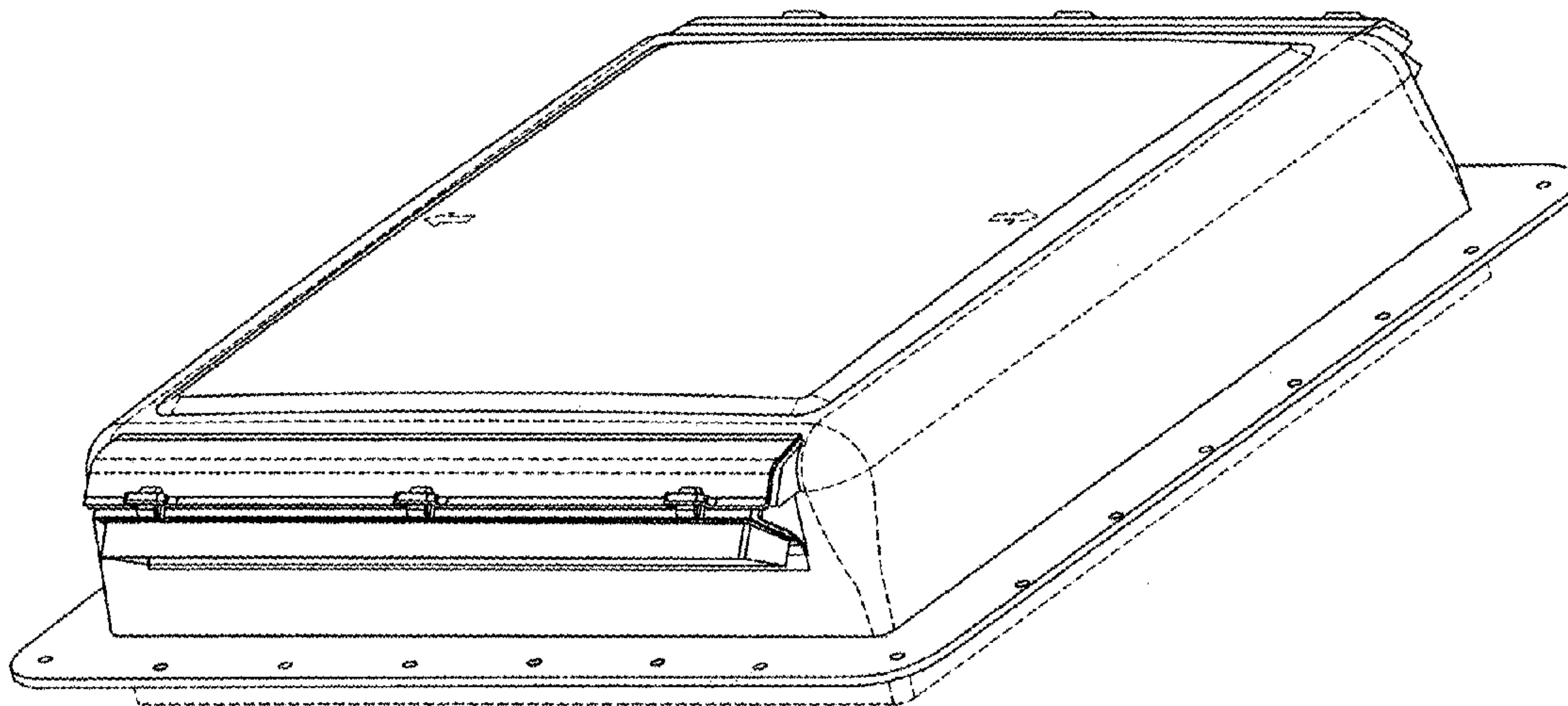
In the drawings, the broken lines depict portions of the article that form no part of the claimed design.

1 Claim, 4 Drawing Sheets

(56) **References Cited**

U.S. PATENT DOCUMENTS

536,156 A *	3/1895	Rice	F02D 1/00 73/508
3,016,952 A *	1/1962	Shero	B60J 1/2011 160/105
4,395,939 A *	8/1983	Hough	B60H 1/262 160/92
4,872,722 A *	10/1989	Farmont	B60J 7/0015 160/120
5,984,405 A *	11/1999	Ciacci	B60J 7/11 160/354



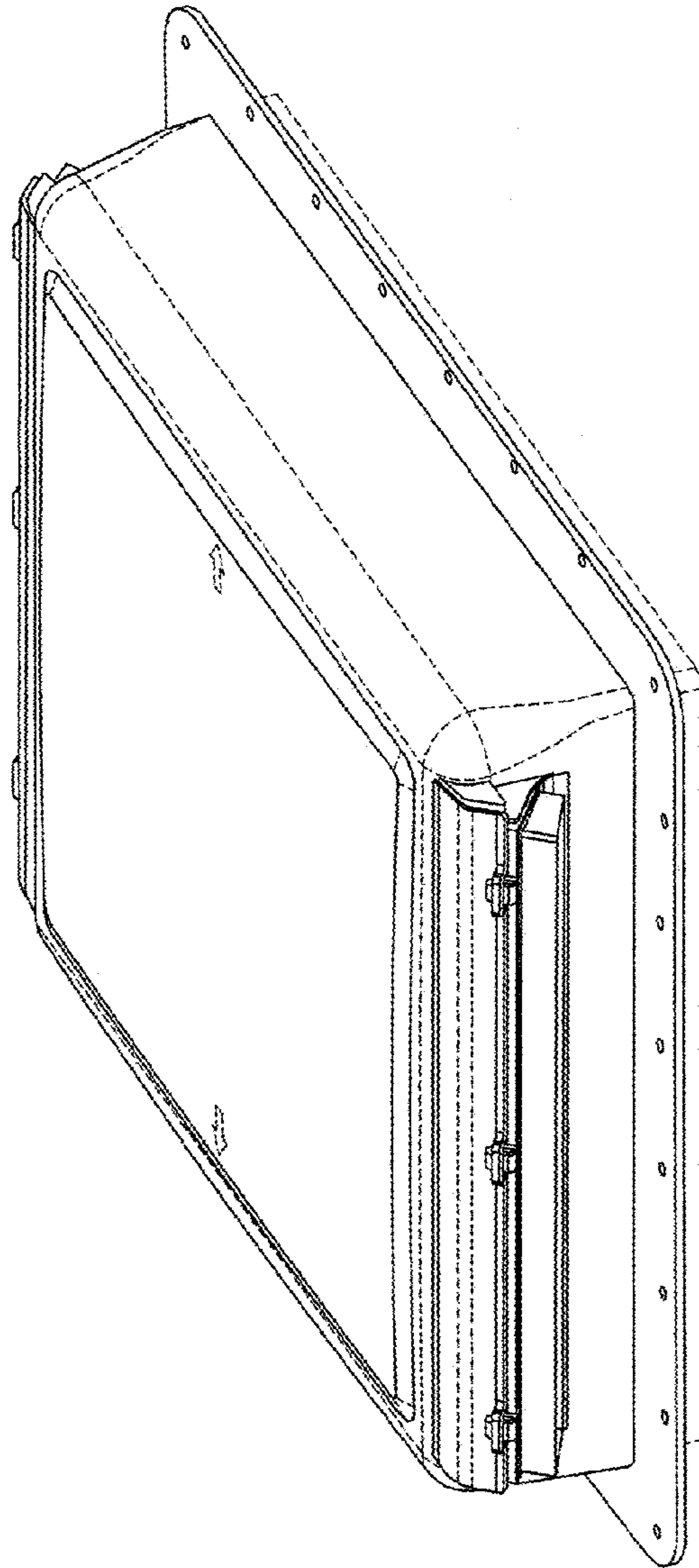


FIG. 1

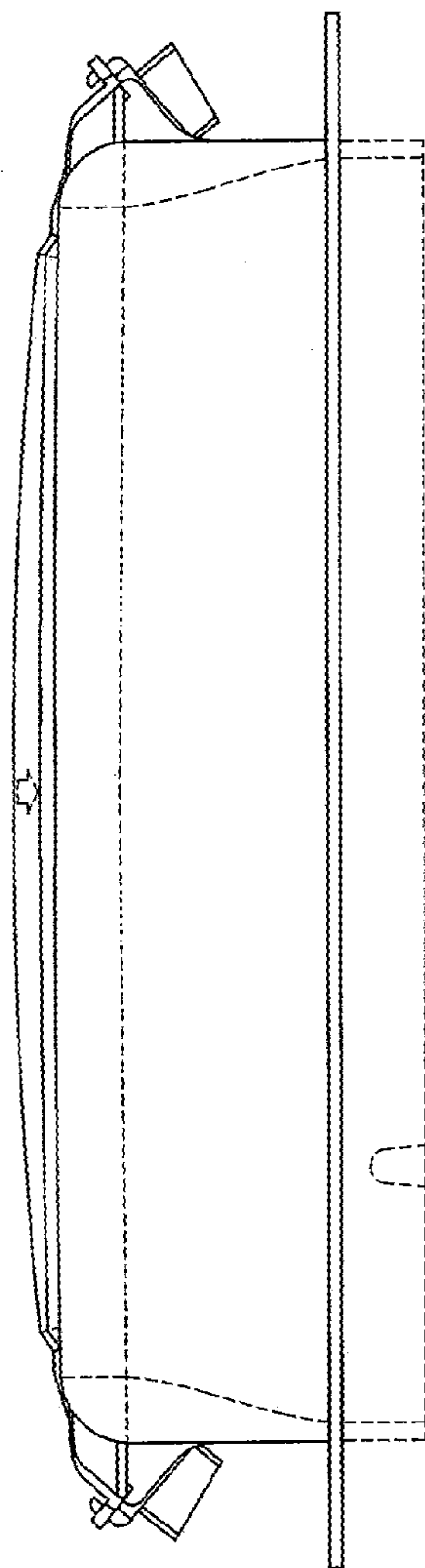


FIG. 2

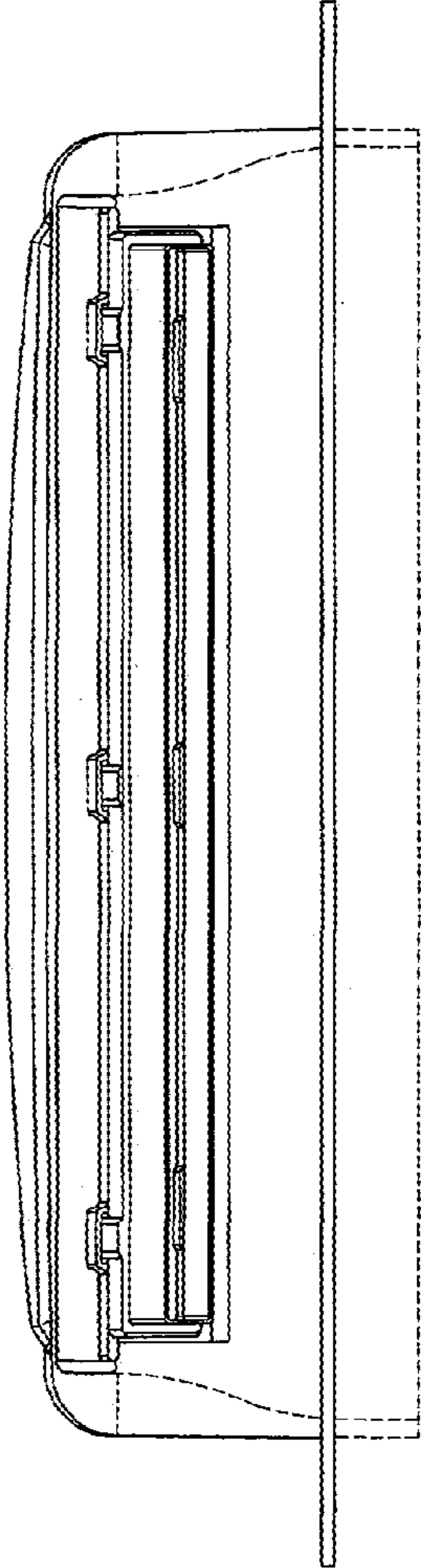


FIG. 3

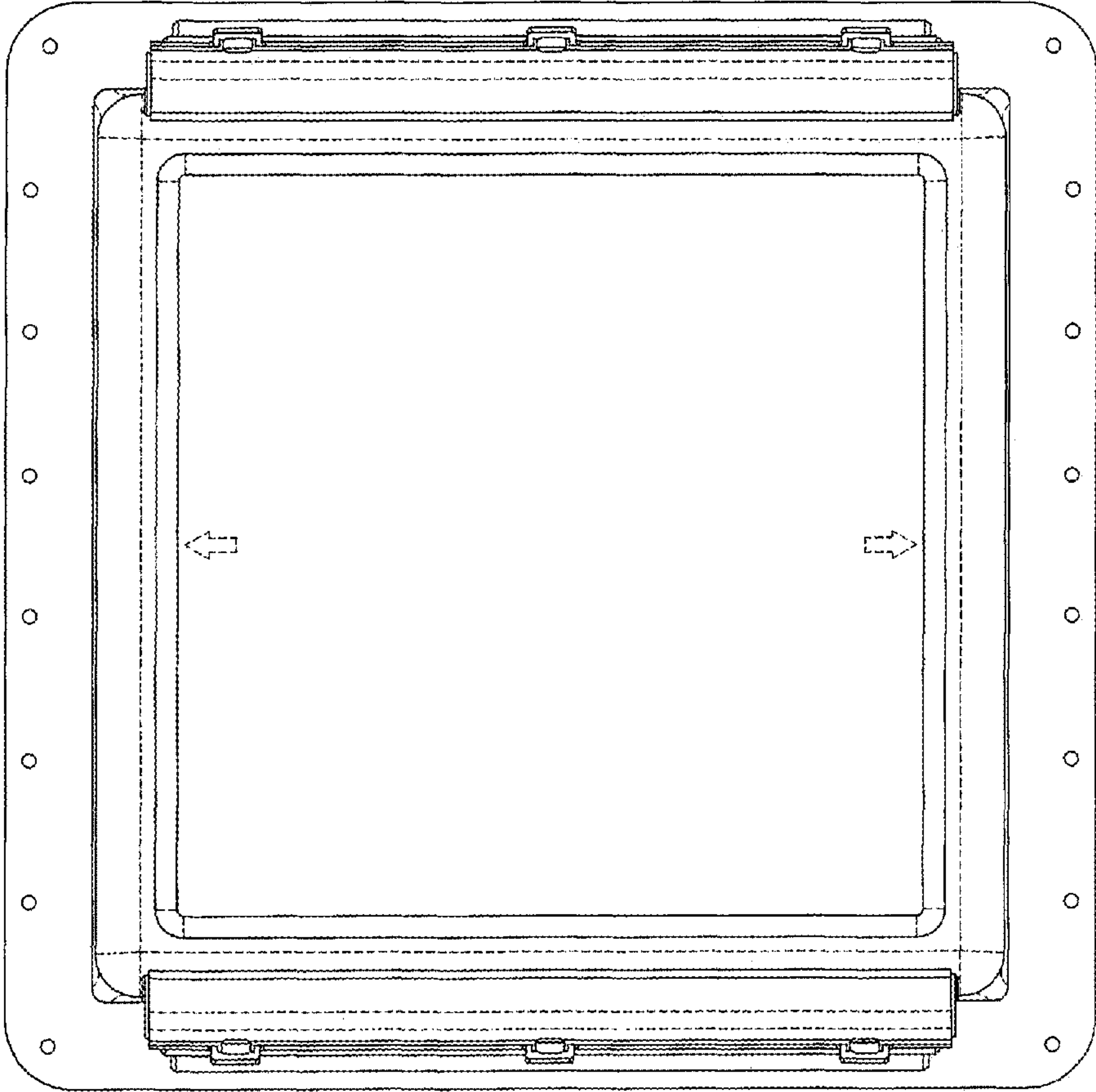


FIG. 4