

US00D762527S

(12) **United States Design Patent**  
**Willing et al.**

(10) **Patent No.:** **US D762,527 S**

(45) **Date of Patent:** **\*\* Aug. 2, 2016**

(54) **VEHICLE EXTERIOR**

- (71) Applicant: **Ford Motor Company**, Dearborn, MI (US)
- (72) Inventors: **Todd Willing**, Mont Albert (AU);  
**Moray S Callum**, Ann Arbor, MI (US);  
**Christopher Svensson**, Chelmsford (GB); **Ehab N Kaoud**, Canton, MI (US);  
**Eric Stoddard**, Birmingham, MI (US)
- (73) Assignee: **Ford Motor Company**, Dearborn, MI (US)

(\*\*) Term: **14 Years**

(21) Appl. No.: **29/523,558**

(22) Filed: **Apr. 10, 2015**

(51) **LOC (10) Cl.** ..... **12-08**

(52) **U.S. Cl.**  
USPC ..... **D12/92**

(58) **Field of Classification Search**  
USPC ..... D12/86, 90-92, 88; D21/421, 433, 434;  
296/181.1, 181.5  
CPC ..... B62D 35/00; B62D 25/00; B62D 25/06;  
B62D 33/00

See application file for complete search history.

(56) **References Cited**

U.S. PATENT DOCUMENTS

D500,710 S *	1/2005	Saito	.....	D12/92
D525,174 S *	7/2006	Minowa	.....	D12/92
D528,943 S *	9/2006	Otsubo	.....	D12/90
D531,548 S *	11/2006	Hagino	.....	D12/92
D537,383 S *	2/2007	Kato	.....	D12/91
D564,414 S *	3/2008	Okue	.....	D12/92
D599,706 S *	9/2009	Tanaka	.....	D12/92
D603,297 S *	11/2009	Takahashi	.....	D12/92
D630,555 S *	1/2011	Koshino	.....	D12/92
D649,911 S *	12/2011	Okumoto	.....	D12/92
D686,531 S *	7/2013	Lamm	.....	D12/91
D718,661 S *	12/2014	Tabata	.....	D12/91
D727,211 S *	4/2015	Rupar	.....	D12/91

\* cited by examiner

*Primary Examiner* — Melody N Brown

(74) *Attorney, Agent, or Firm* — Damian Porcari

(57) **CLAIM**

The ornamental design for a vehicle exterior, as shown and described.

**DESCRIPTION**

FIG. 1 is a top front and left side perspective view of a vehicle exterior;  
FIG. 2 is a top rear and left side perspective view thereof;  
FIG. 3 is a front elevational view thereof;  
FIG. 4 is a rear elevational view thereof;  
FIG. 5 is a left side elevational view thereof;  
FIG. 6 is a right side elevational view thereof; and,  
FIG. 7 is a top plan view thereof.

**1 Claim, 7 Drawing Sheets**



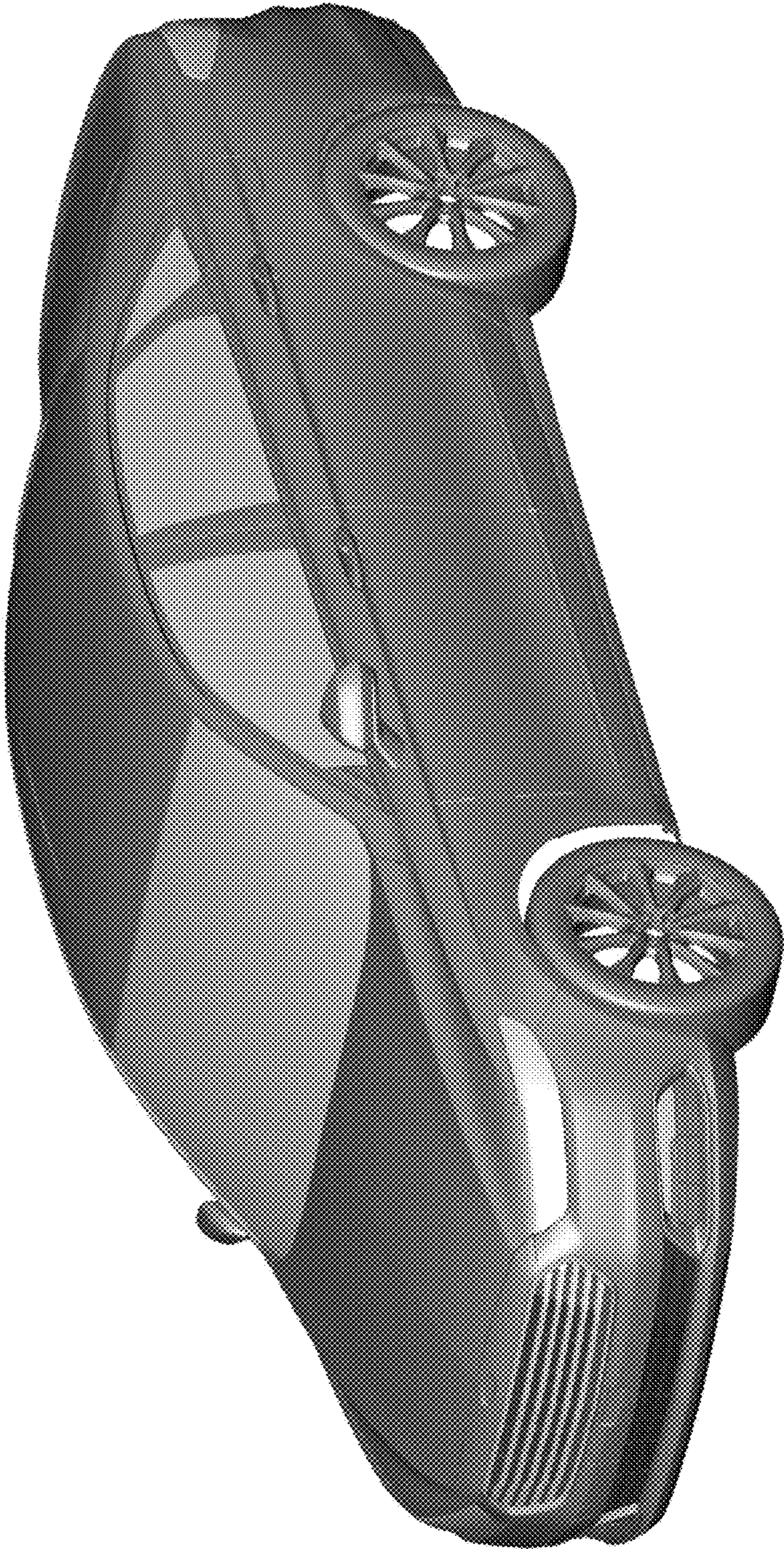


FIG. 1

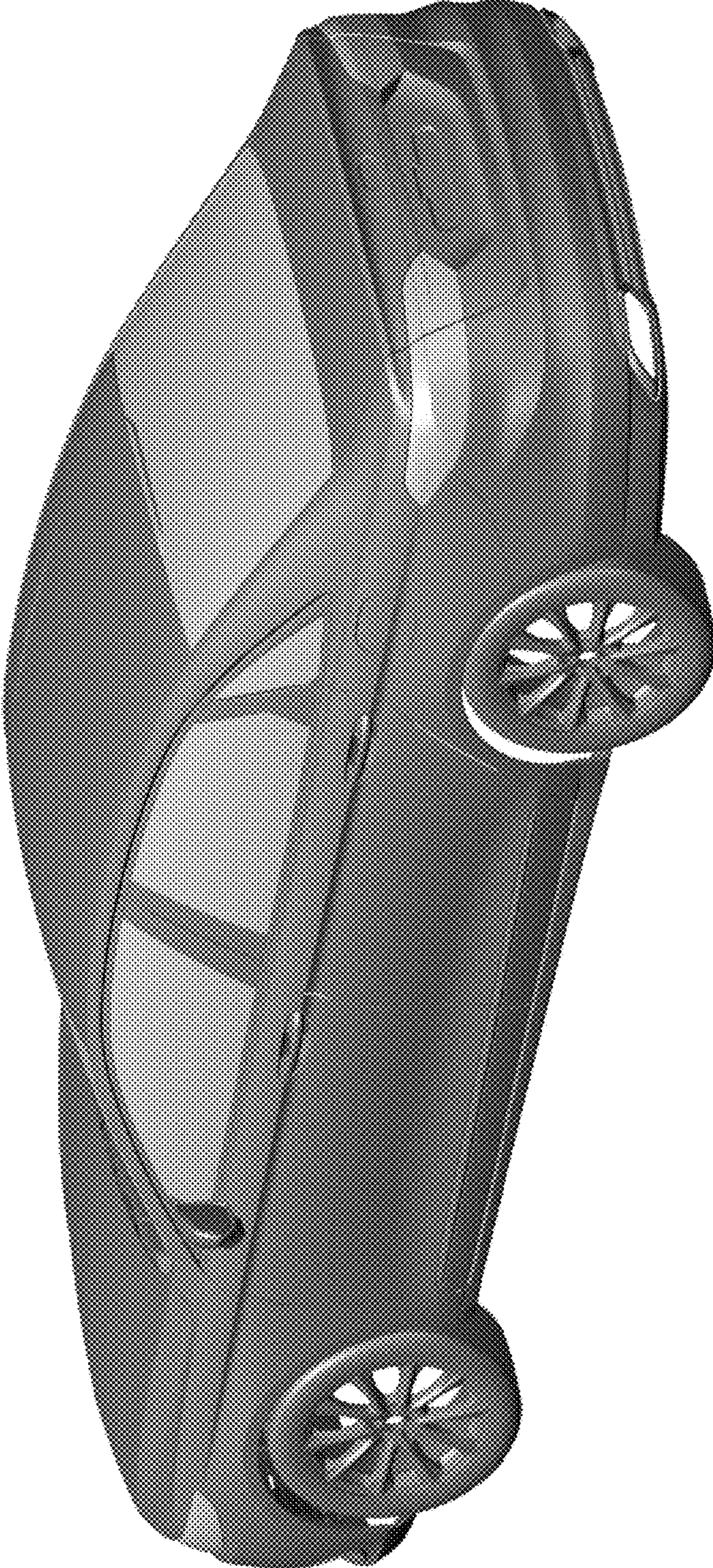


FIG. 2

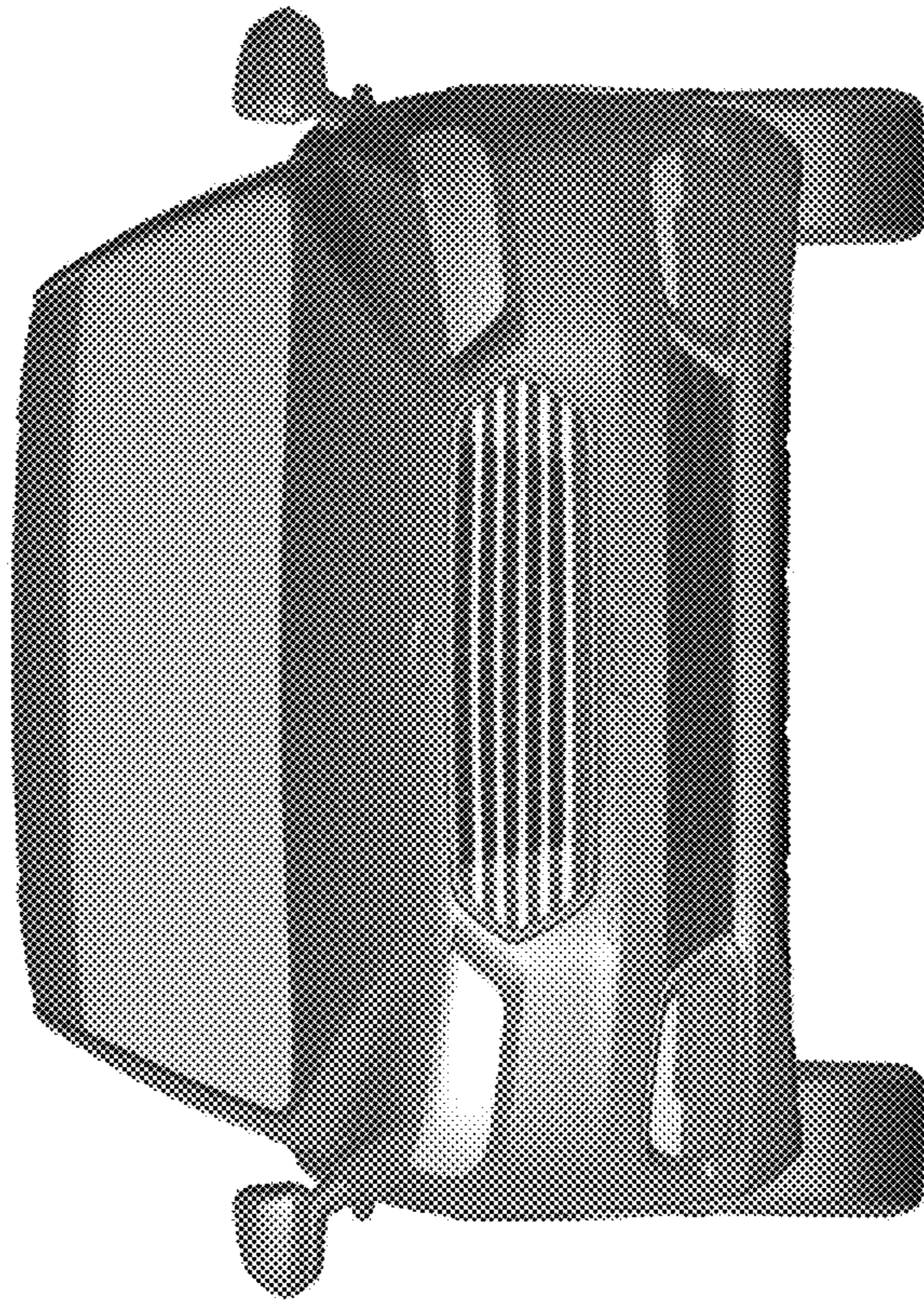


FIG. 3

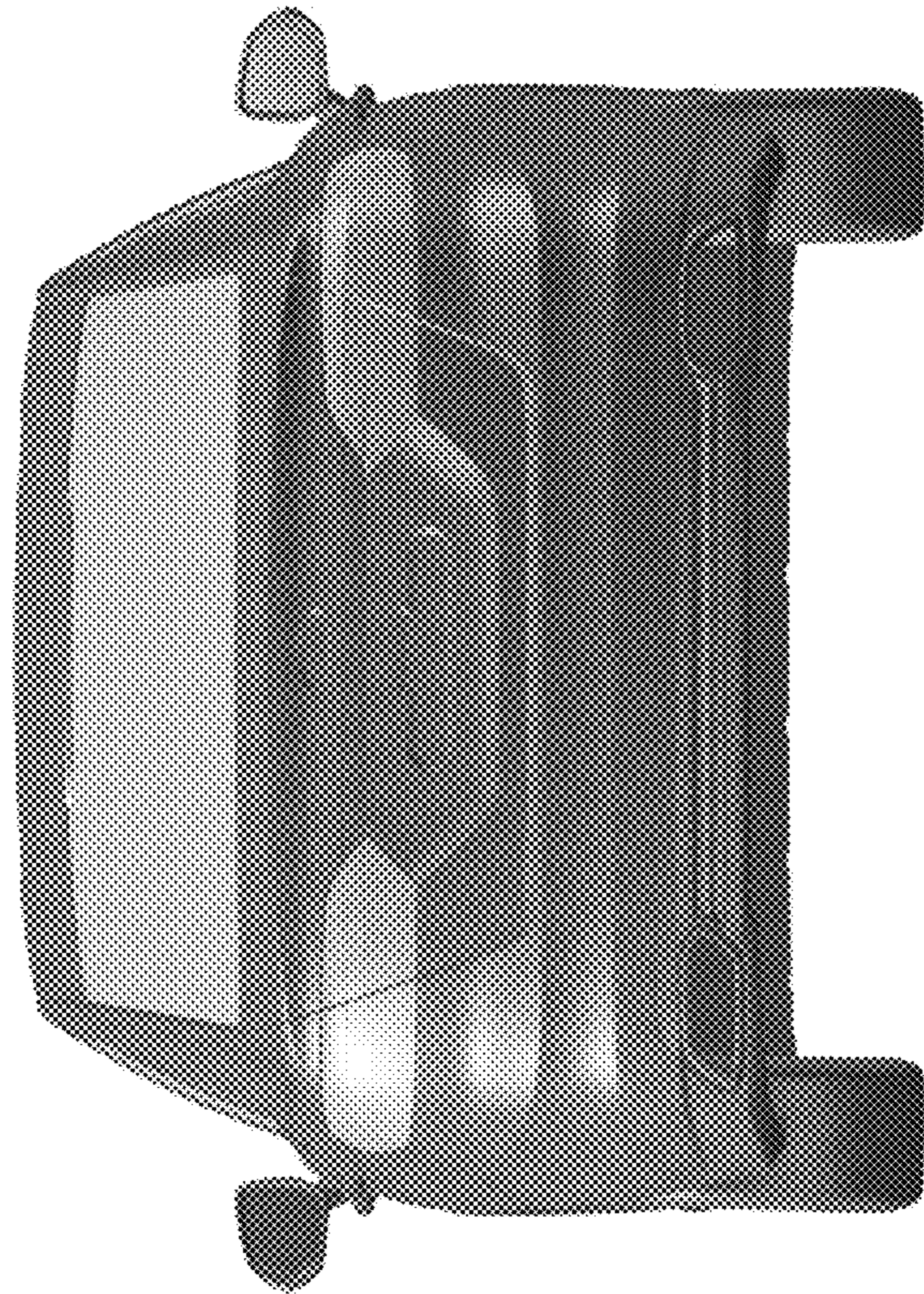


FIG. 4



FIG. 5

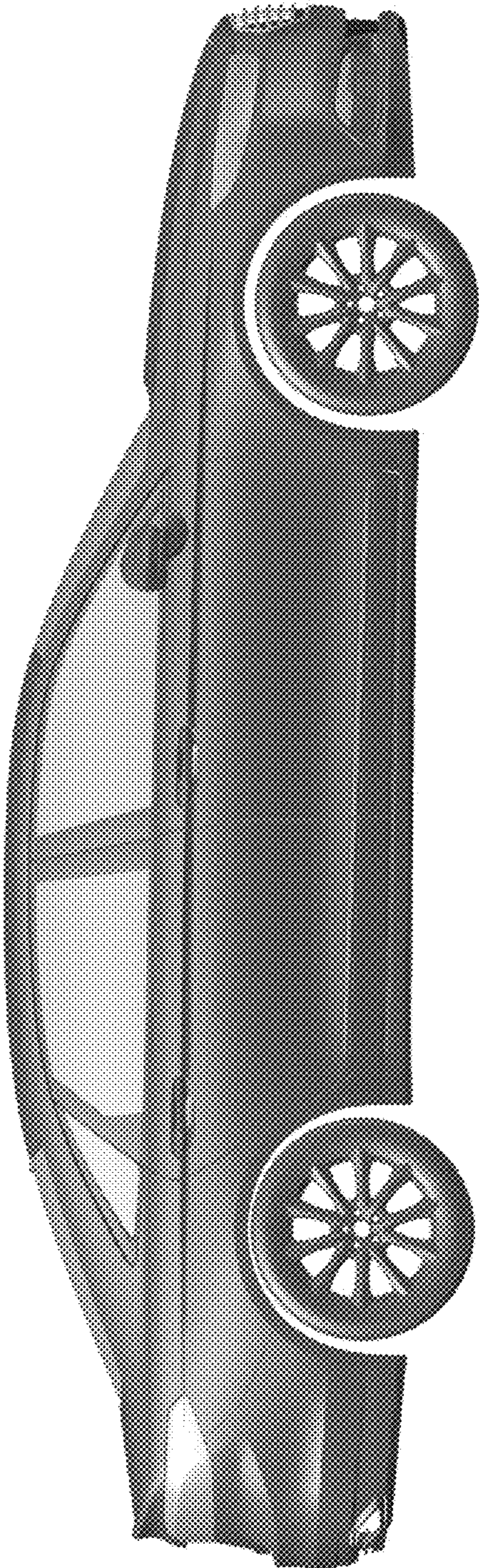


FIG. 6

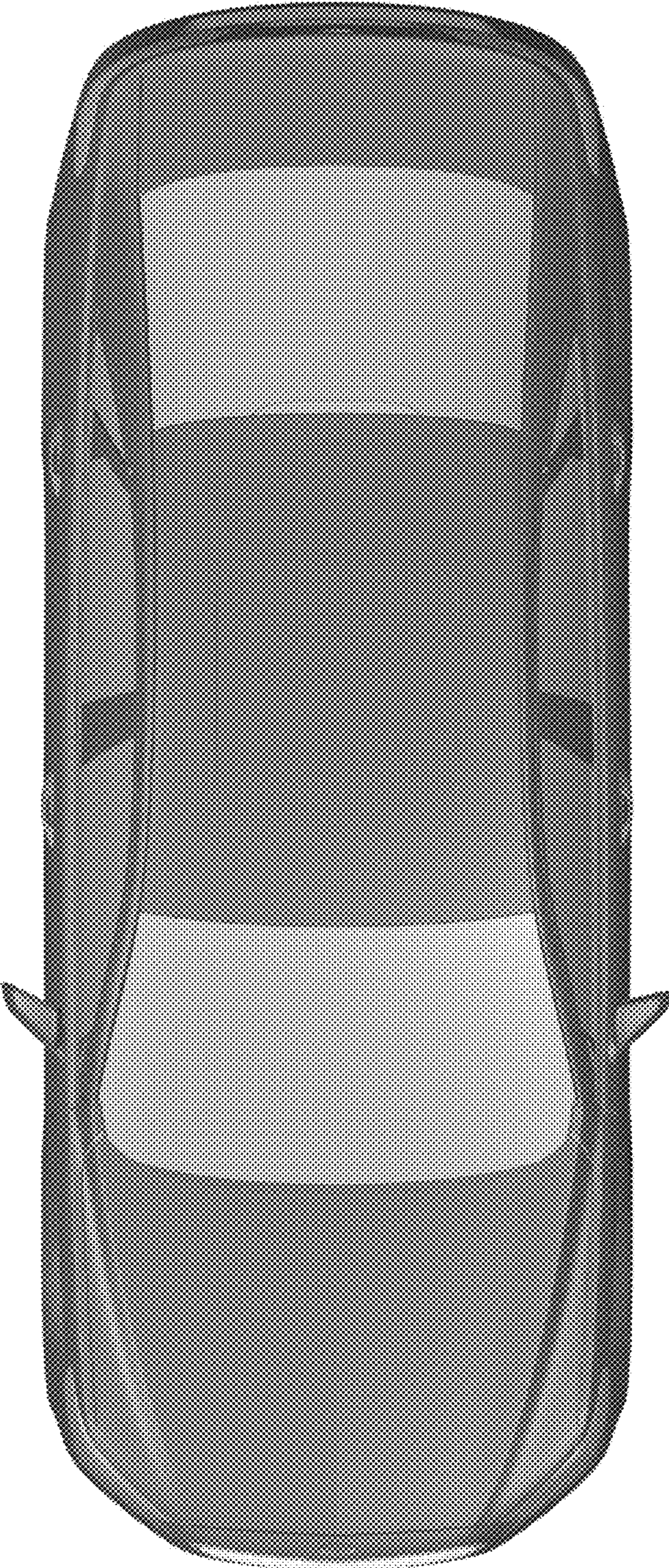


FIG. 7