



US00D762526S

(12) **United States Design Patent**
Minami

(10) **Patent No.:** **US D762,526 S**

(45) **Date of Patent:** **** Aug. 2, 2016**

(54) **AUTOMOBILE, TOY REPLICA AND/OR
OTHER REPLICAS**

(71) Applicant: **Honda Motor Co., Ltd.**, Tokyo (JP)

(72) Inventor: **Toshinobu Minami**, Wako (JP)

(73) Assignee: **Honda Motor Co., Ltd.**, Tokyo (JP)

(**) Term: **14 Years**

(21) Appl. No.: **29/520,902**

(22) Filed: **Mar. 18, 2015**

(30) **Foreign Application Priority Data**

Sep. 24, 2014 (JP) 2014-021097

(51) **LOC (10) Cl.** **12-08**

(52) **U.S. Cl.**
USPC **D12/92**

(58) **Field of Classification Search**
USPC D12/86, 90, 91, 92, 98; 296/37.6,
296/181.1, 181.5, 183.1; D21/424, 433,
D21/434

CPC B62D 25/00; B62D 25/06; B62D 33/00;
B62D 35/00

See application file for complete search history.

(56) **References Cited**

U.S. PATENT DOCUMENTS

D500,709 S *	1/2005	van Hooydonk	D12/92
D516,464 S *	3/2006	Parkinson	D12/92
D521,907 S *	5/2006	Elmitt	D12/92
D525,175 S *	7/2006	Konaka	D12/92
D552,015 S *	10/2007	Pfeiffer	D12/92
D563,280 S *	3/2008	Xing	D12/92
D565,468 S *	4/2008	Abe	D12/92
D567,714 S *	4/2008	Sawai	D12/92
D581,318 S *	11/2008	Gabath	D12/92
D583,711 S *	12/2008	Elmitt	D12/92
D596,078 S *	7/2009	Pfeiffer	D12/92

D601,455 S *	10/2009	Pfeiffer	D12/92
D603,298 S *	11/2009	Irie	D12/92
D618,594 S *	6/2010	Sonoda	D12/92
D619,503 S *	7/2010	Ishibashi	D12/92
D626,887 S *	11/2010	Suzuki	D12/92
D635,893 S *	4/2011	Baur	D12/92
D671,036 S *	11/2012	Inatomi	D12/92
D685,293 S *	7/2013	Badstuebner	D12/82
D686,111 S *	7/2013	Kido	D12/92
D689,797 S *	9/2013	Kubo	D12/92
D704,103 S *	5/2014	Mack	D12/92
D704,597 S *	5/2014	Kubo	D12/92

(Continued)

OTHER PUBLICATIONS

“2016 Honda Civic.” Honda Electronic Brochure., Nov. 5, 2015 [online]. [retrieved on Mar. 12, 2016]. Retrieved from the Internet <URL: <http://automobiles.honda.com/images/2016/civic-sedan/downloads/2016-civic-sedan-brochure.pdf>>.*

(Continued)

Primary Examiner — Philip S Hyder

Assistant Examiner — Darlington Ly

(74) *Attorney, Agent, or Firm* — Plumsea Law Group, LLC

(57) **CLAIM**

The ornamental design for an automobile, toy replica and/or other replicas, as shown and described.

DESCRIPTION

FIG. 1 is a perspective view from the front side of an automobile.

FIG. 2 is a perspective view from the rear side thereof.

FIG. 3 is a right side elevation view thereof.

FIG. 4 is a left side elevation view thereof.

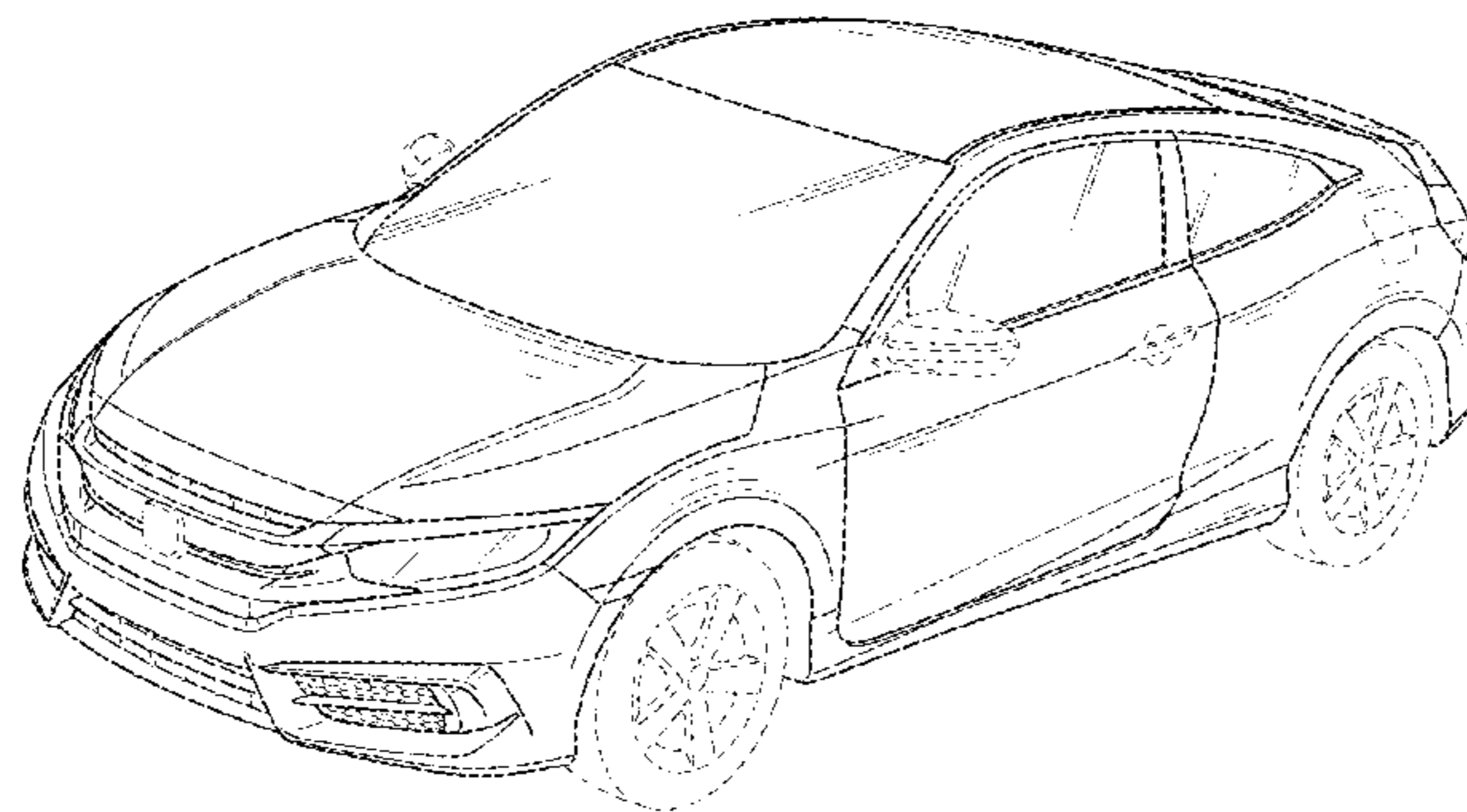
FIG. 5 is a front elevation view thereof.

FIG. 6 is a rear elevation view thereof; and,

FIG. 7 is a top plan view thereof.

The broken lines shown in the drawings illustrate portions of the automobile that form no part of claimed design.

1 Claim, 7 Drawing Sheets



(56)

References Cited

OTHER PUBLICATIONS

U.S. PATENT DOCUMENTS

D710,762 S * 8/2014 Mays D12/92
D713,298 S * 9/2014 Dyson D12/92
D714,687 S * 10/2014 Selvaag D12/92
D716,700 S * 11/2014 Matsumoto D12/92
D717,212 S * 11/2014 Thurner D12/92

Design U.S. Appl. No. 29/520,899, filed Mar. 18, 2015, U.S. counterpart of Priority Japanese Application No. 2014-021096.

* cited by examiner

FIG. 1

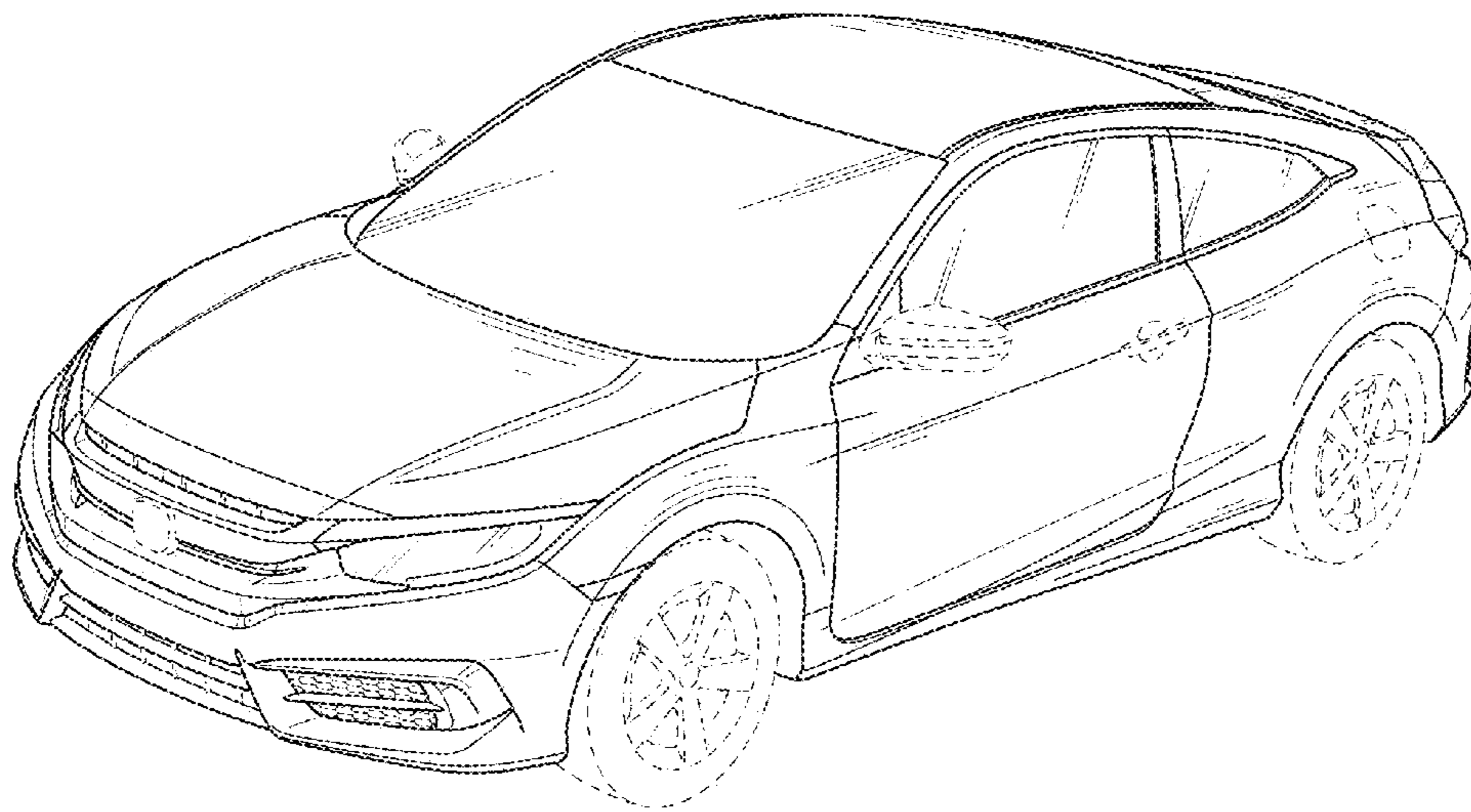


FIG. 2

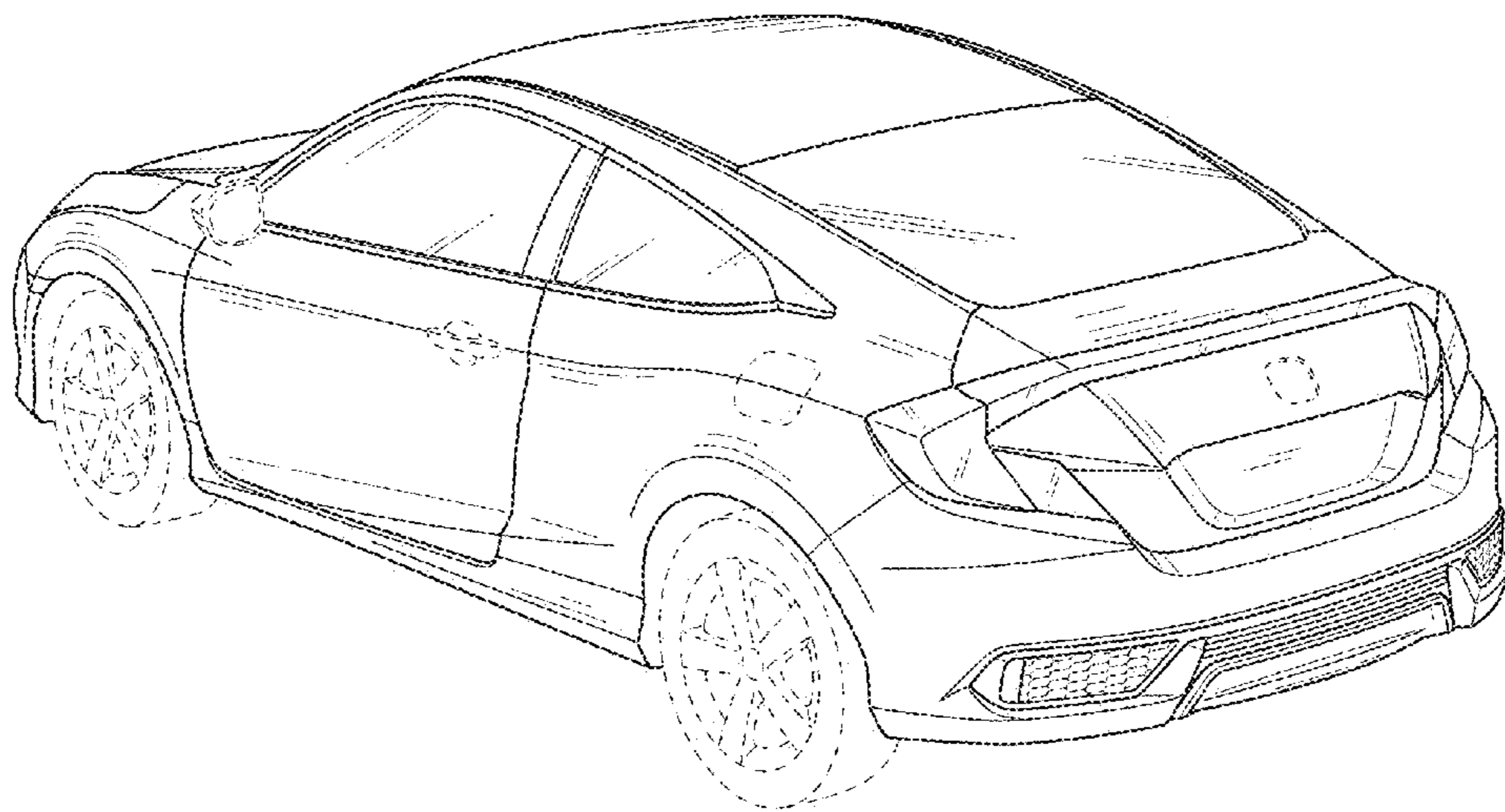


FIG. 3

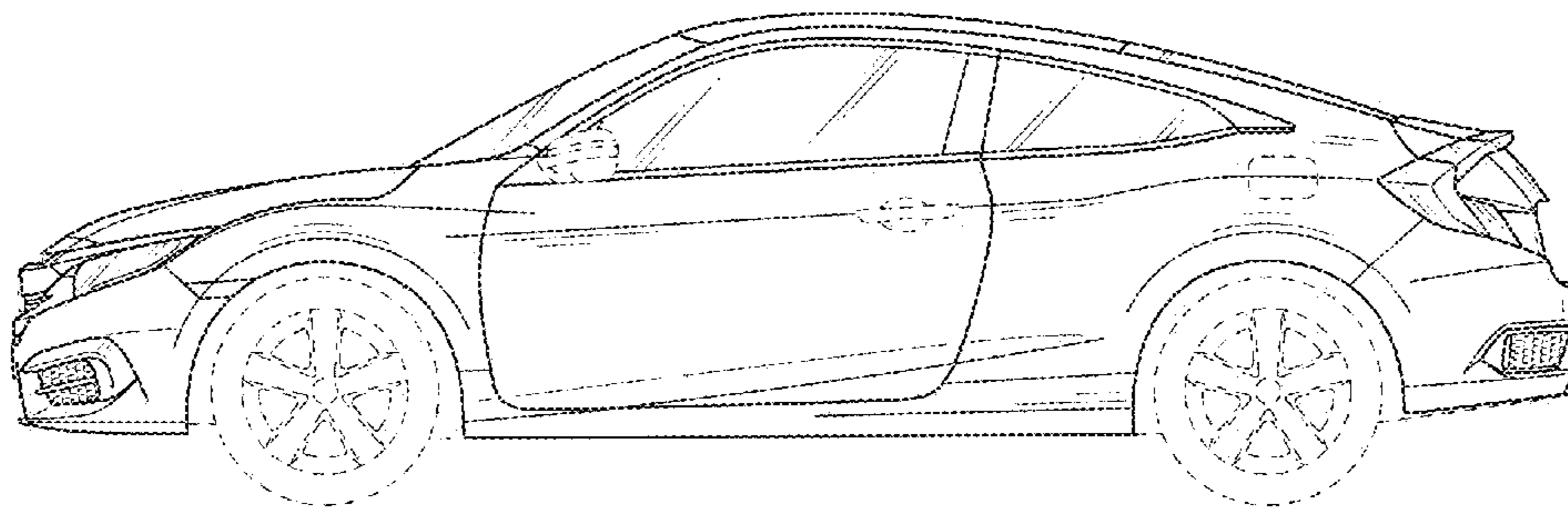


FIG. 4

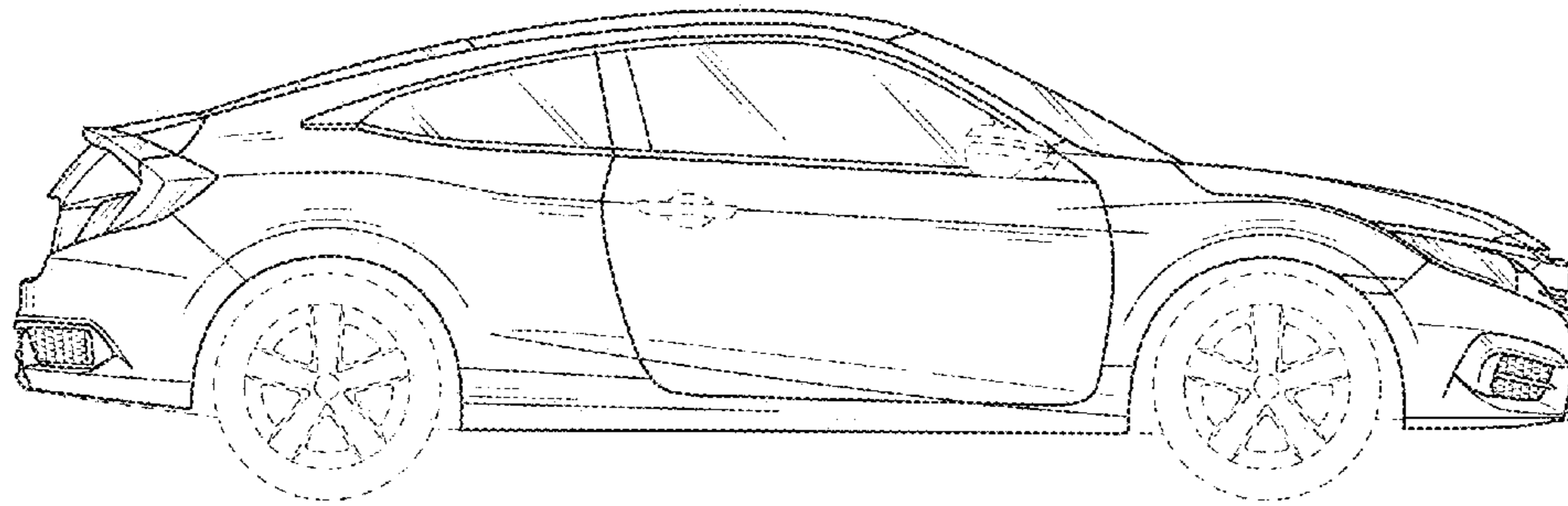


FIG. 5

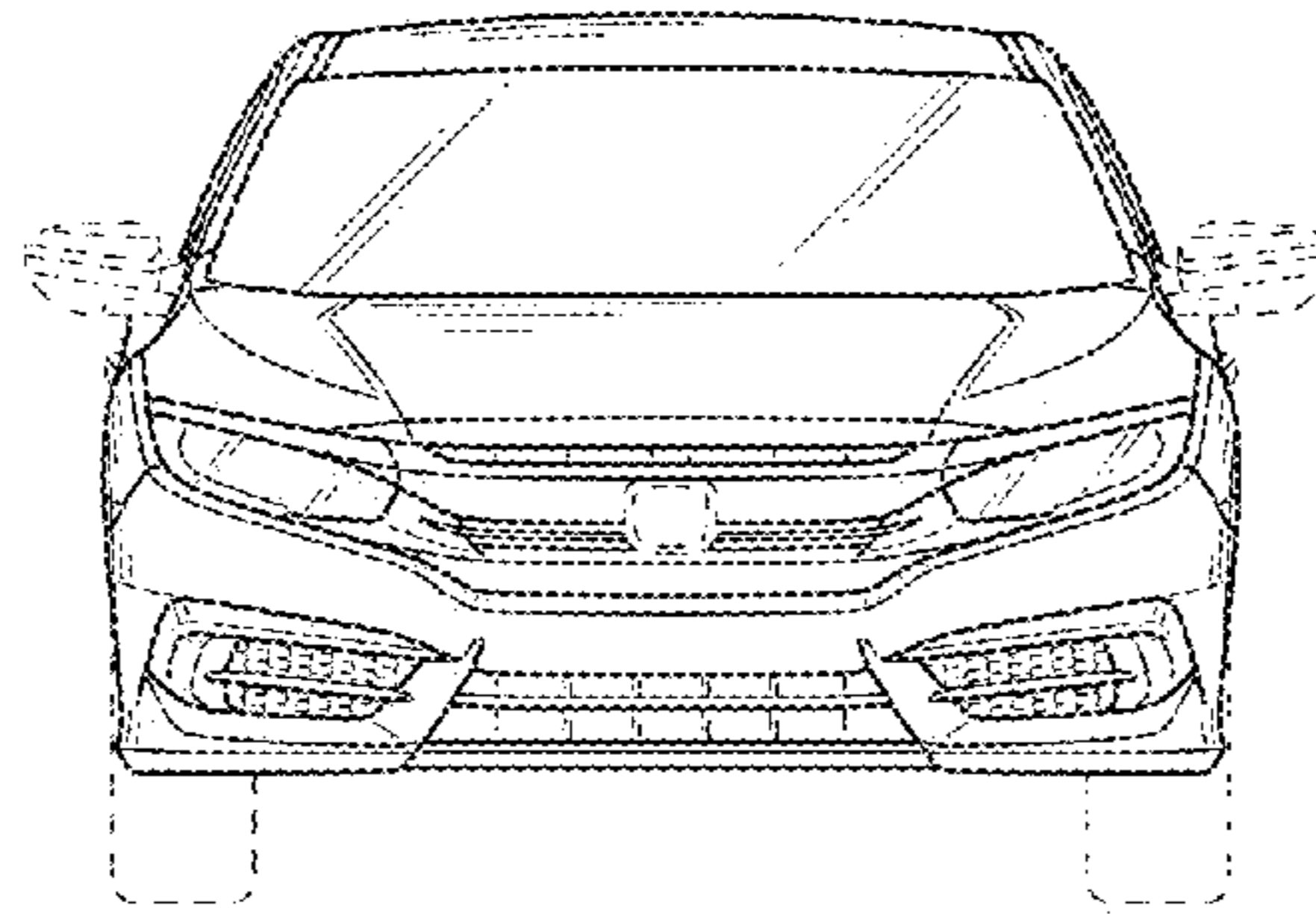


FIG. 6

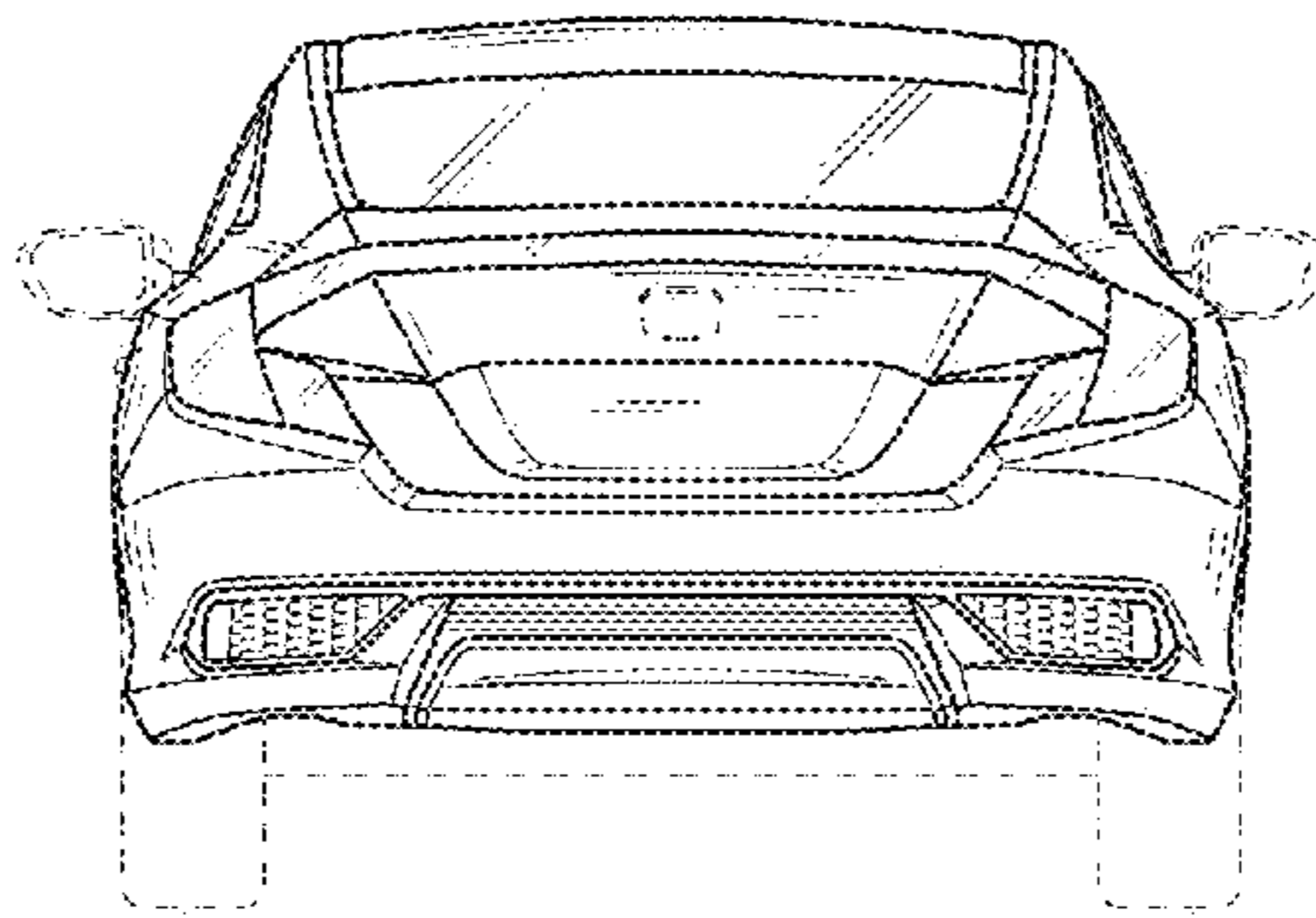


FIG. 7

