



US00D762525S

(12) **United States Design Patent**
Stopka

(10) **Patent No.:** **US D762,525 S**

(45) **Date of Patent:** **** Aug. 2, 2016**

(54) **MOTOR VEHICLE, TOY AND/OR REPLICA**

(71) Applicant: **Dr. Ing. h.c. F. Porsche**
Aktiengesellschaft, Stuttgart (DE)

(72) Inventor: **Thomas Stopka, Stuttgart (DE)**

(73) Assignee: **Dr. Ing. h.c. F. Porsche**
Aktiengesellschaft (DE)

(**) Term: **14 Years**

(21) Appl. No.: **29/479,530**

(22) Filed: **Jan. 17, 2014**

(30) **Foreign Application Priority Data**

Jul. 19, 2013 (DE) 40 2013 100 676

(51) **LOC (10) Cl.** **12-08**

(52) **U.S. Cl.**
USPC **D12/92**

(58) **Field of Classification Search**
USPC D12/86, 90-92; D21/421, 433, 434;
296/181.1, 181.5
See application file for complete search history.

(56) **References Cited**

U.S. PATENT DOCUMENTS

D651,134 S	12/2011	Kulla et al.	
D651,135 S	12/2011	Varga	
D651,944 S *	1/2012	Steinmetz	D12/92
D659,593 S	5/2012	Robinson	
D661,226 S	6/2012	Varga	

D661,227 S	6/2012	Varga	
D661,228 S *	6/2012	Armbruster	D12/92
D663,239 S *	7/2012	Saracoglu	D12/92
D663,240 S	7/2012	Scheinhutte	
D669,001 S	10/2012	Varga	
D673,484 S	1/2013	Robinson	
D684,896 S	6/2013	Scheinhutte	
D701,146 S *	3/2014	Varga	D12/92
D704,099 S *	5/2014	Varga	D12/92
D704,596 S *	5/2014	Saracoglu	D12/92
D705,131 S *	5/2014	Larson	D12/92

* cited by examiner

Primary Examiner — Melody N Brown

(74) *Attorney, Agent, or Firm* — Gerald E. Hespos; Michael J. Porco; Matthew T. Hespos

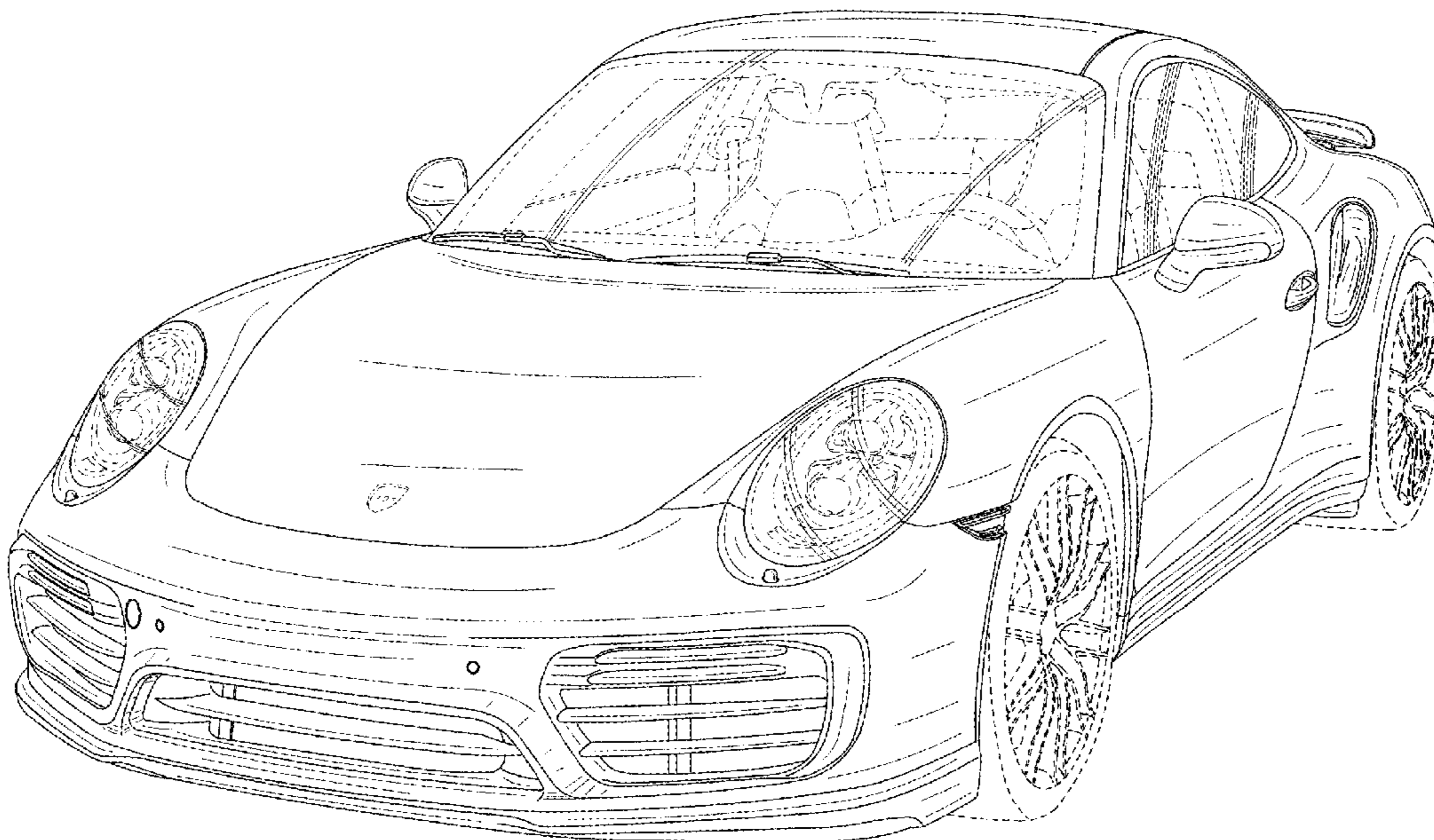
(57) **CLAIM**

The ornamental design of a motor vehicle, toy and/or replica, as shown and described.

DESCRIPTION

FIG. 1 is a front and side perspective of a motor vehicle, toy and/or replica in accordance with my design;
FIG. 2 is a top plan view thereof;
FIG. 3 is a bottom plan view thereof;
FIG. 4 is a side elevational view taken from the left side in FIG. 1;
FIG. 5 is a side elevational view taken from the right side in FIG. 1;
FIG. 6 is a front elevational view thereof; and,
FIG. 7 is a rear elevational view thereof.
The broken lines are for illustrative purposes only and form no part of the claimed design.

1 Claim, 7 Drawing Sheets



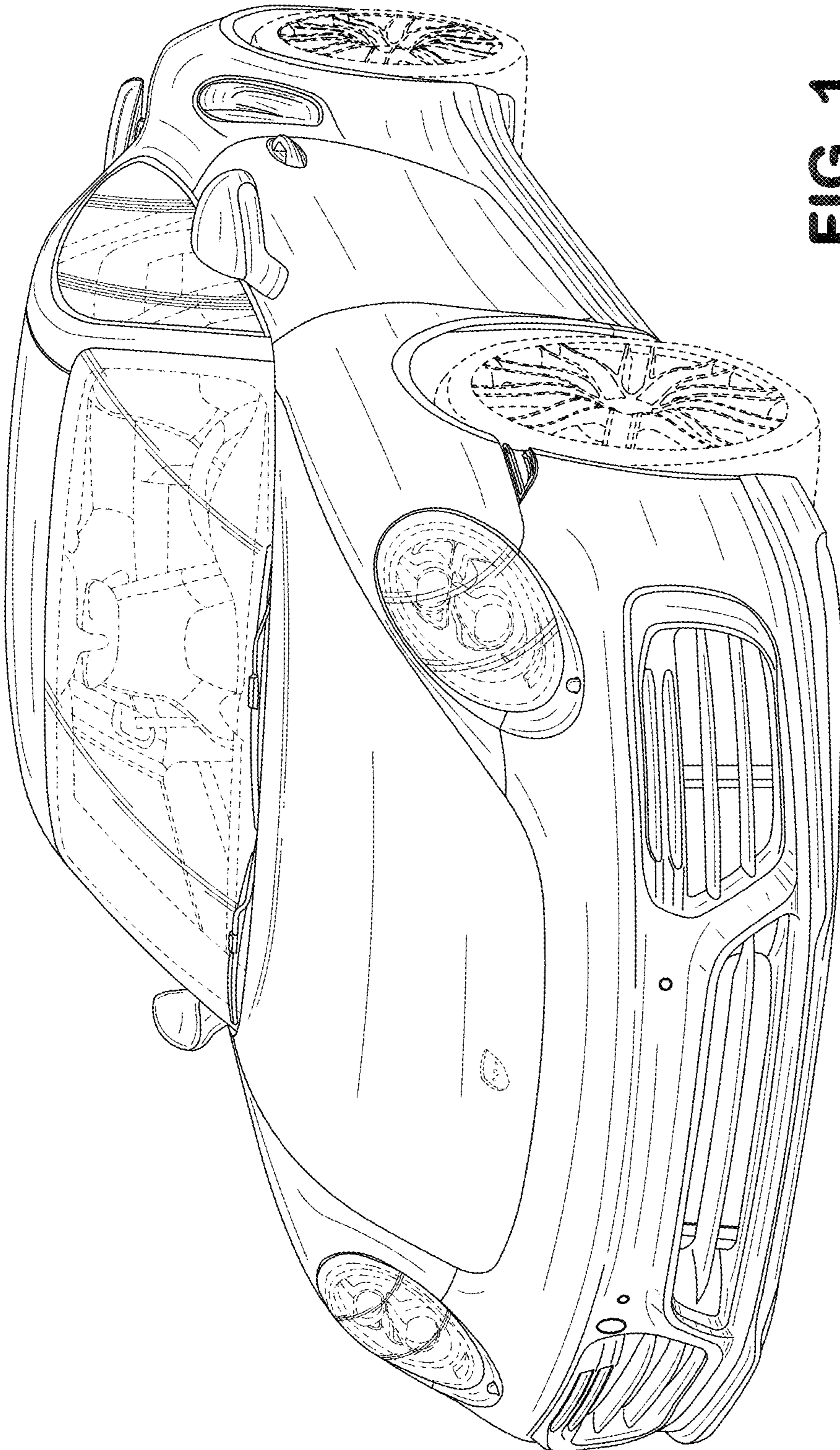


FIG. 1

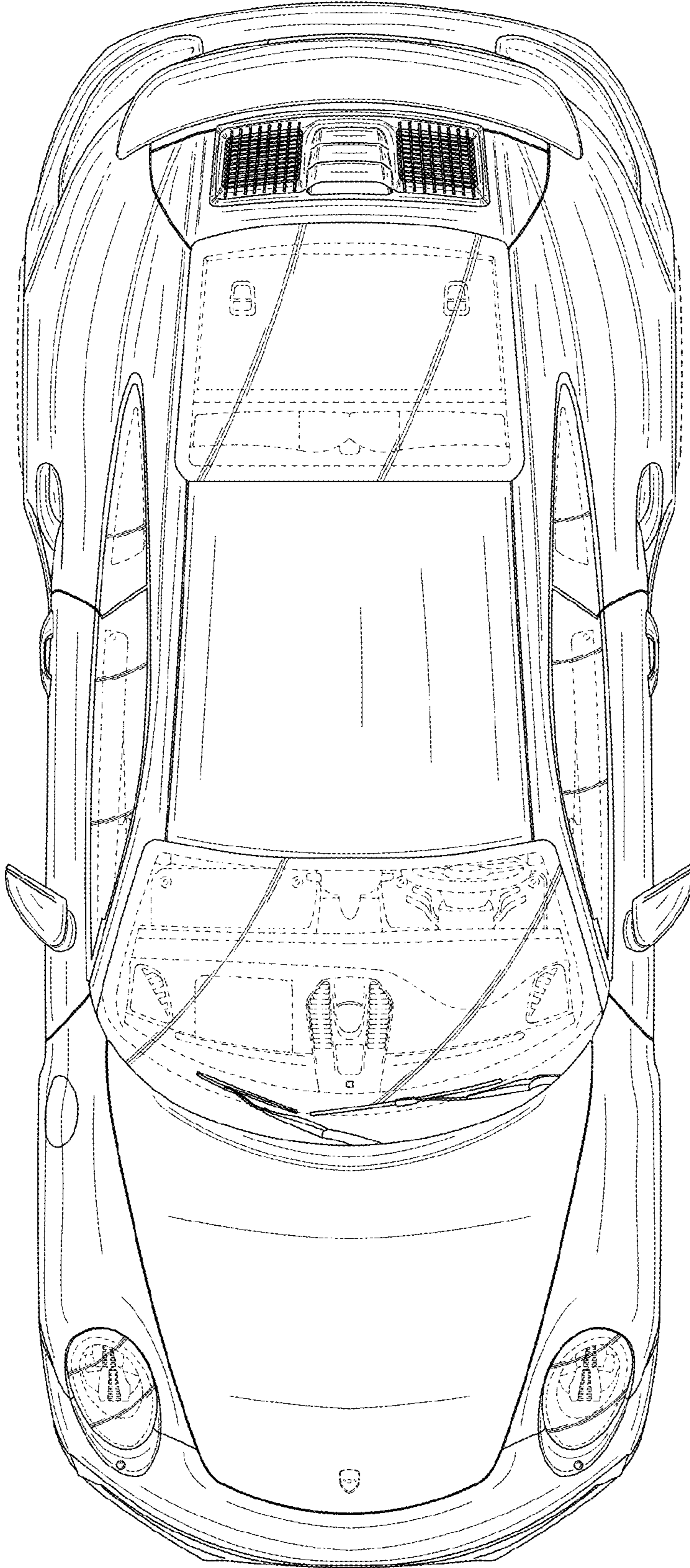


FIG. 2

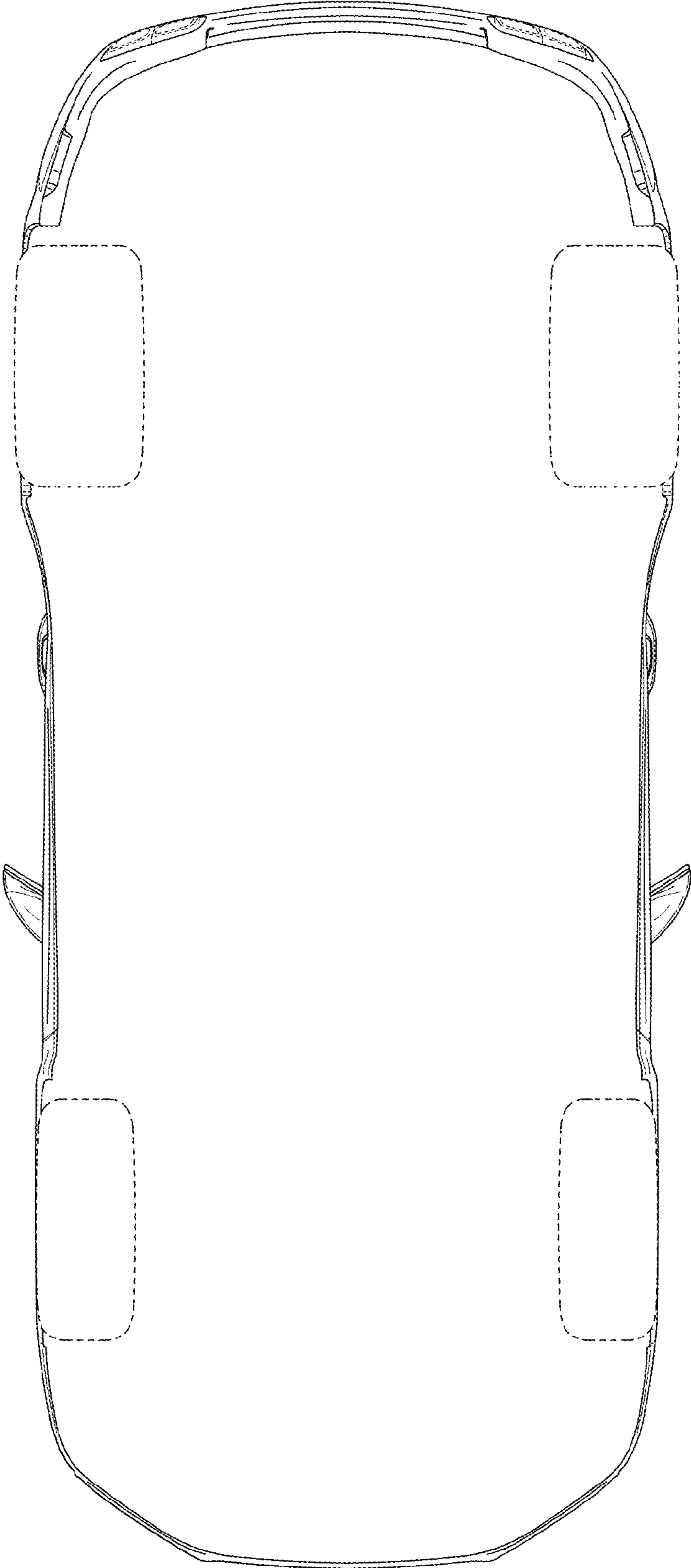


FIG. 3

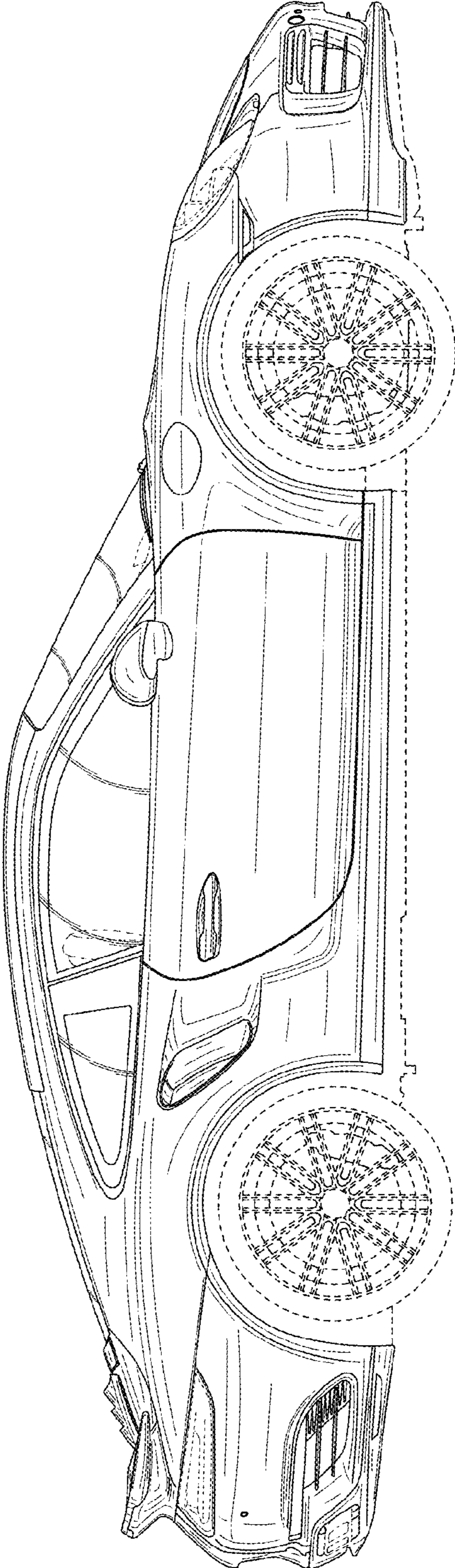


FIG. 4

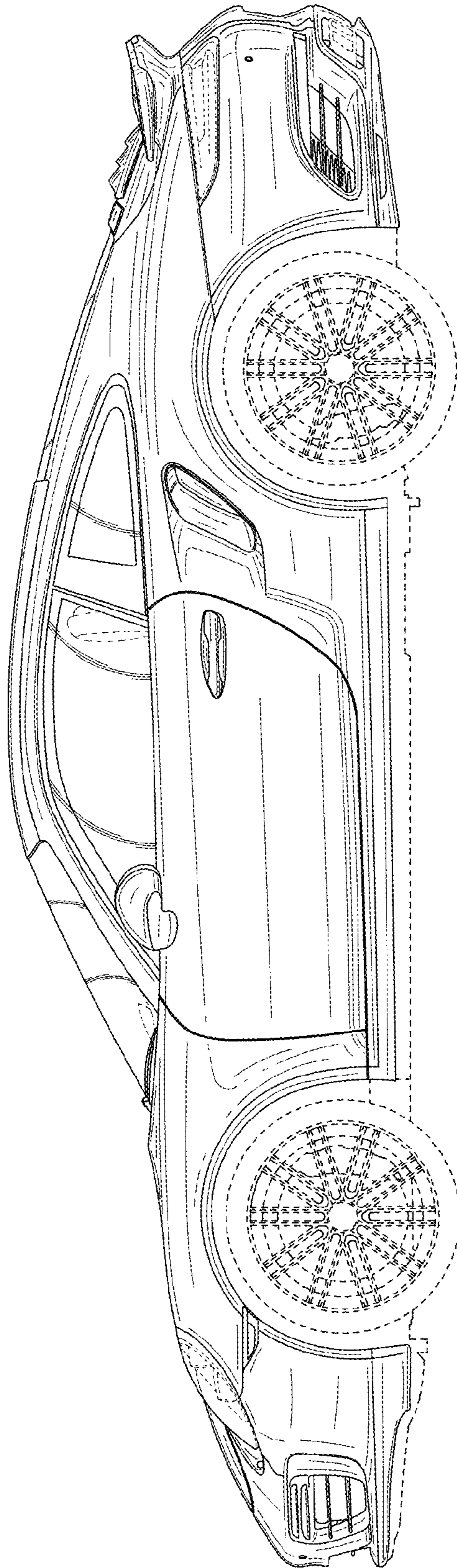


FIG. 5

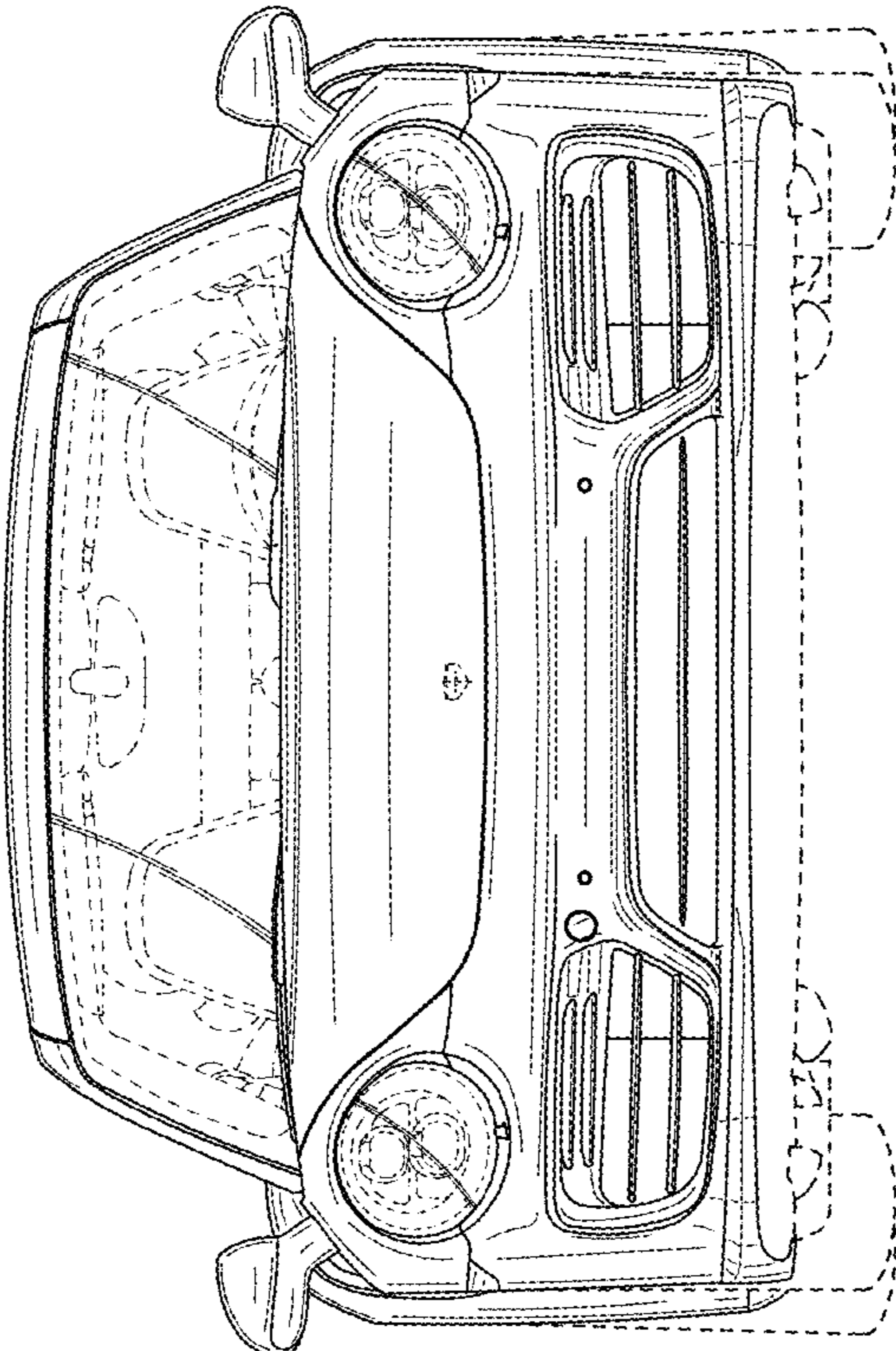


FIG. 6

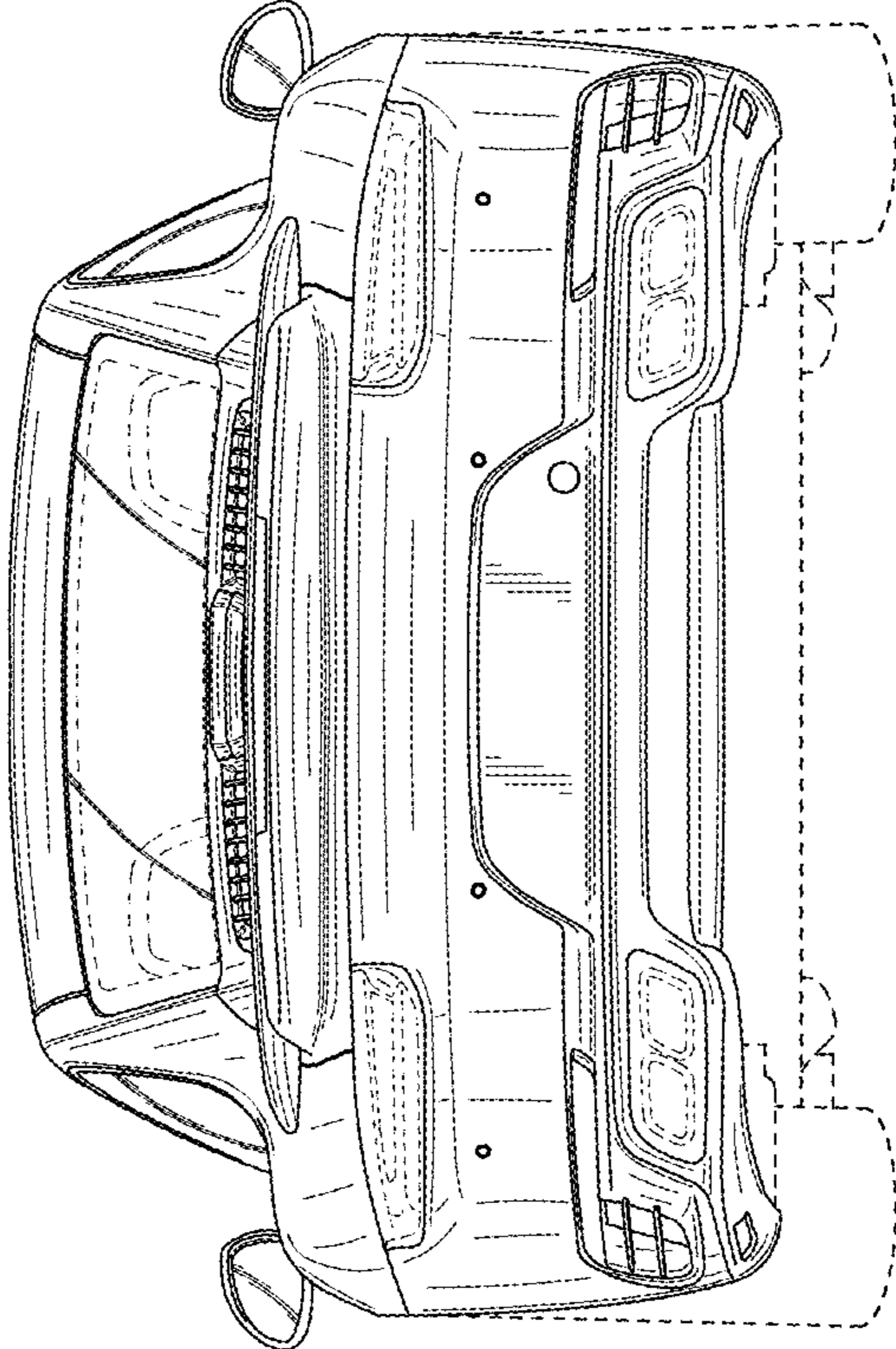


FIG. 7