



US00D762522S

(12) **United States Design Patent**  
**Kinoshita**

(10) **Patent No.:** **US D762,522 S**

(45) **Date of Patent:** **\*\* Aug. 2, 2016**

- (54) **FOUR WHEELED VEHICLE**
- (71) Applicant: **Yamaha Hatsudoki Kabushiki Kaisha**,  
Shizuoka-ken (JE)
- (72) Inventor: **Shogo Kinoshita**, Tokyo-to (JP)
- (73) Assignee: **YAMAHA HATSUDOKI**  
**KABUSHIKI KAISHA (JP)**

- D641,288 S \* 7/2011 Sun ..... D12/87
- D650,311 S \* 12/2011 Bracy ..... D12/87
- D660,746 S \* 5/2012 Bracy ..... D12/87
- D662,855 S \* 7/2012 Wang ..... D12/87
- 8,613,335 B2 \* 12/2013 Deckard ..... B60K 13/02  
180/68.1
- D701,469 S \* 3/2014 Lai ..... D12/87
- D703,102 S \* 4/2014 Eck ..... D12/87
- 2012/0193163 A1 \* 8/2012 Wimpfheimer ..... B60G 3/20  
180/233

(\*\*) Term: **14 Years**

(21) Appl. No.: **29/522,287**

(22) Filed: **Mar. 30, 2015**

(51) **LOC (10) Cl.** ..... **12-08**

(52) **U.S. Cl.**  
USPC ..... **D12/87**

(58) **Field of Classification Search**  
 USPC ..... D12/3, 4, 5, 14, 85, 86, 87, 107, 110;  
 280/183–185, DIG. 5, 1, 16, 82, 88, 90,  
 280/14; 180/233, 908  
 CPC ..... A01B 59/02; A61G 3/08; B62B 5/04;  
 B62B 13/10; B62B 19/04; B62B 2202/404;  
 B62C 9/00; B62D 7/22; B62K 5/01; B60K  
 23/0808

See application file for complete search history.

(56) **References Cited**

**U.S. PATENT DOCUMENTS**

- D301,849 S \* 6/1989 Oba ..... D12/87
- D327,237 S \* 6/1992 Miyamoto ..... D12/87
- D549,133 S \* 8/2007 LePage ..... D12/87
- D555,036 S \* 11/2007 Eck ..... D12/87
- D622,631 S \* 8/2010 Lai ..... D12/87
- 7,819,220 B2 \* 10/2010 Sundahl ..... B62D 21/183  
180/312
- D640,171 S \* 6/2011 Danisi ..... D12/87

**OTHER PUBLICATIONS**

“2016 YXZ1000R—The World’s First Pure Sport Side-by-Side.”  
Yamaha Motor Sports., Dec. 2015 [online], [retrieved on Nov. 12,  
2016]. Retrieved from the Internet <URL: <https://www.yamahamotorsports.com/sport-side-by-side/models/2016/yxz1000r>>.\*

\* cited by examiner

*Primary Examiner* — Philip S Hyder  
*Assistant Examiner* — Darlington Ly  
(74) *Attorney, Agent, or Firm* — Ostrolenk Faber LLP

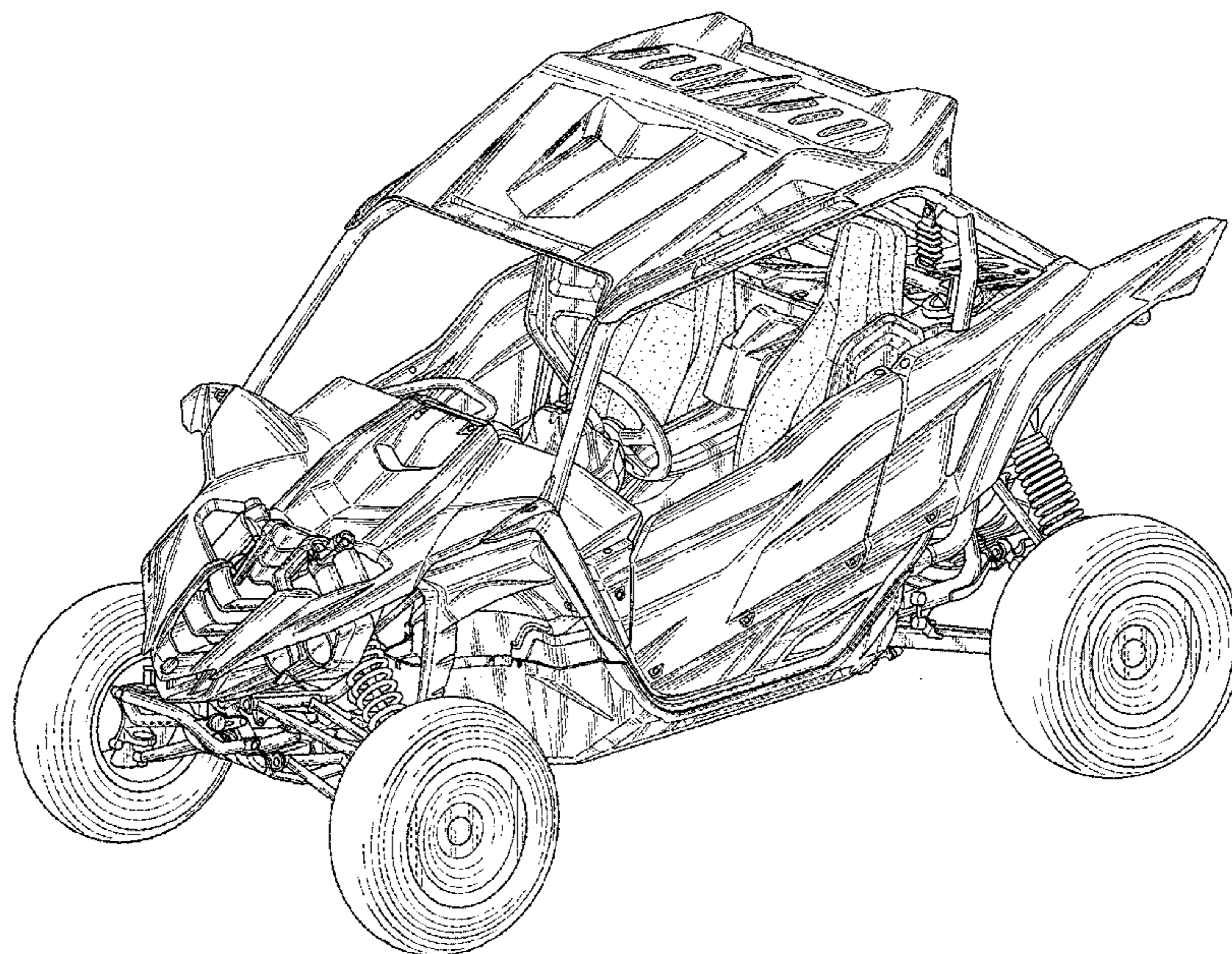
(57) **CLAIM**

The ornamental design for a four wheeled vehicle, as shown and described.

**DESCRIPTION**

FIG. 1 is a top, front and left side perspective view of a four wheeled vehicle showing my new design;  
FIG. 2 is a top, rear and right side perspective view thereof;  
FIG. 3 is a front elevation view thereof;  
FIG. 4 is a rear elevation view thereof;  
FIG. 5 is a right side elevation view thereof;  
FIG. 6 is a left side elevation view thereof; and,  
FIG. 7 is a top plan view thereof.

**1 Claim, 8 Drawing Sheets**



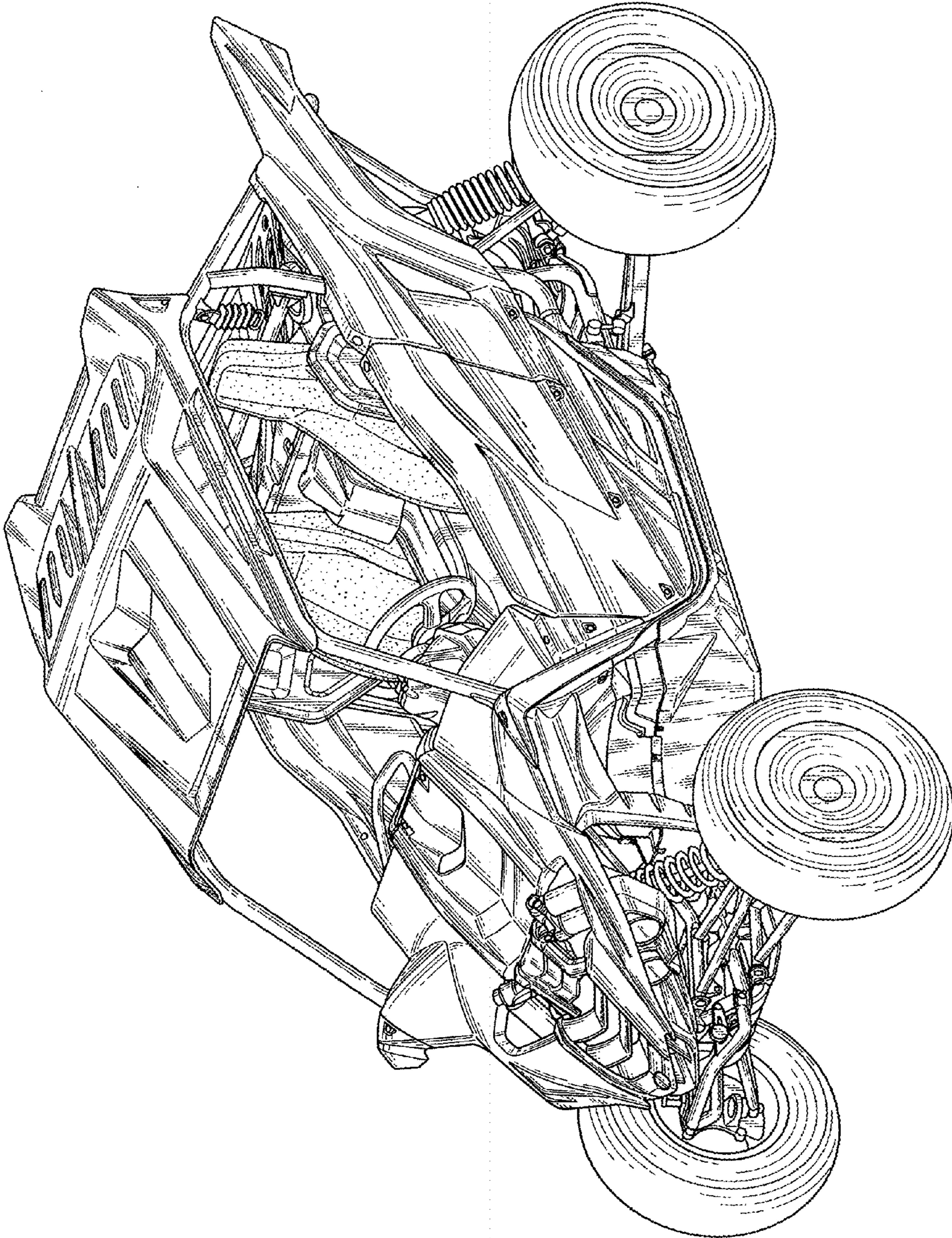


Fig. 1

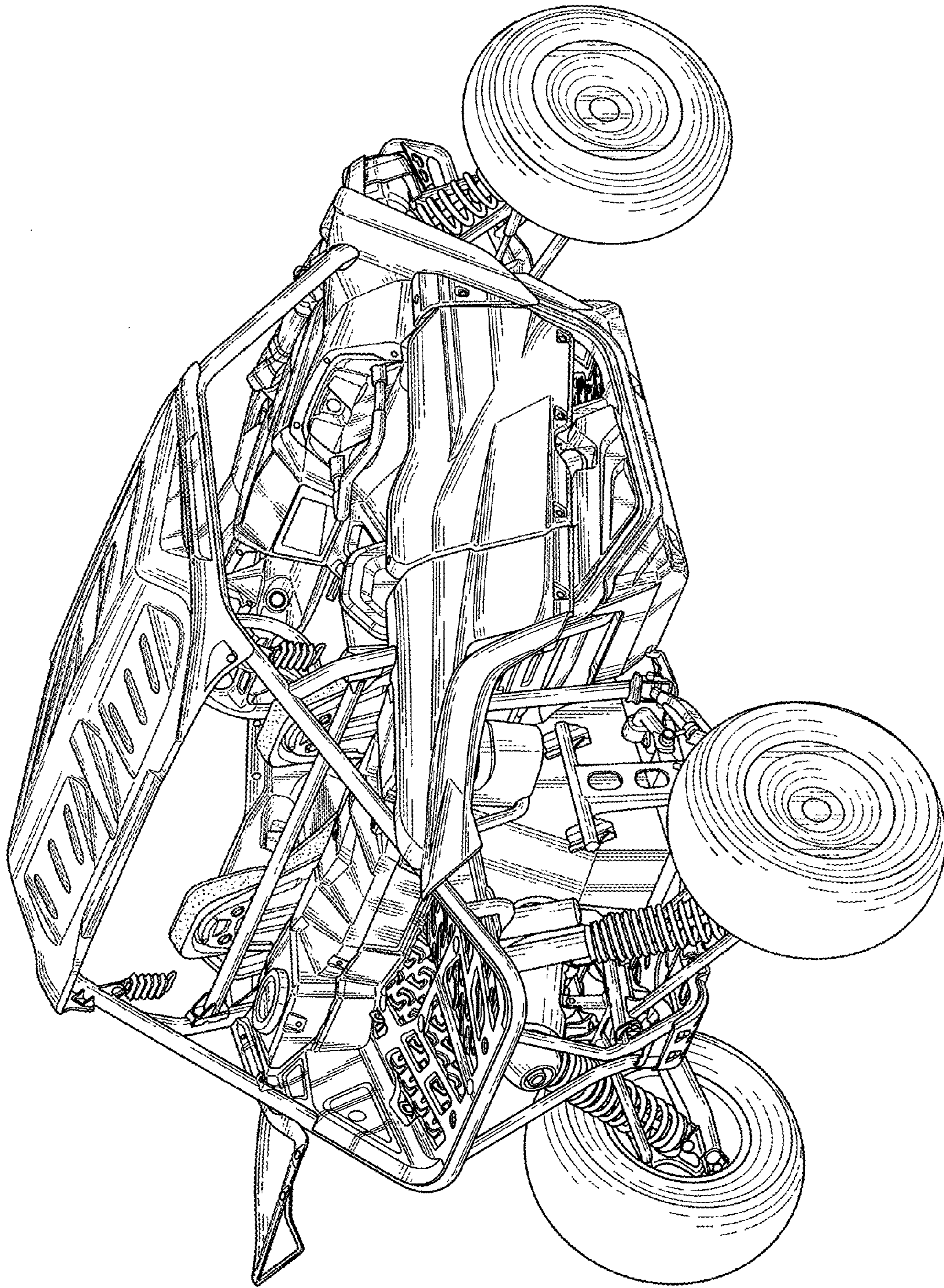


Fig. 2

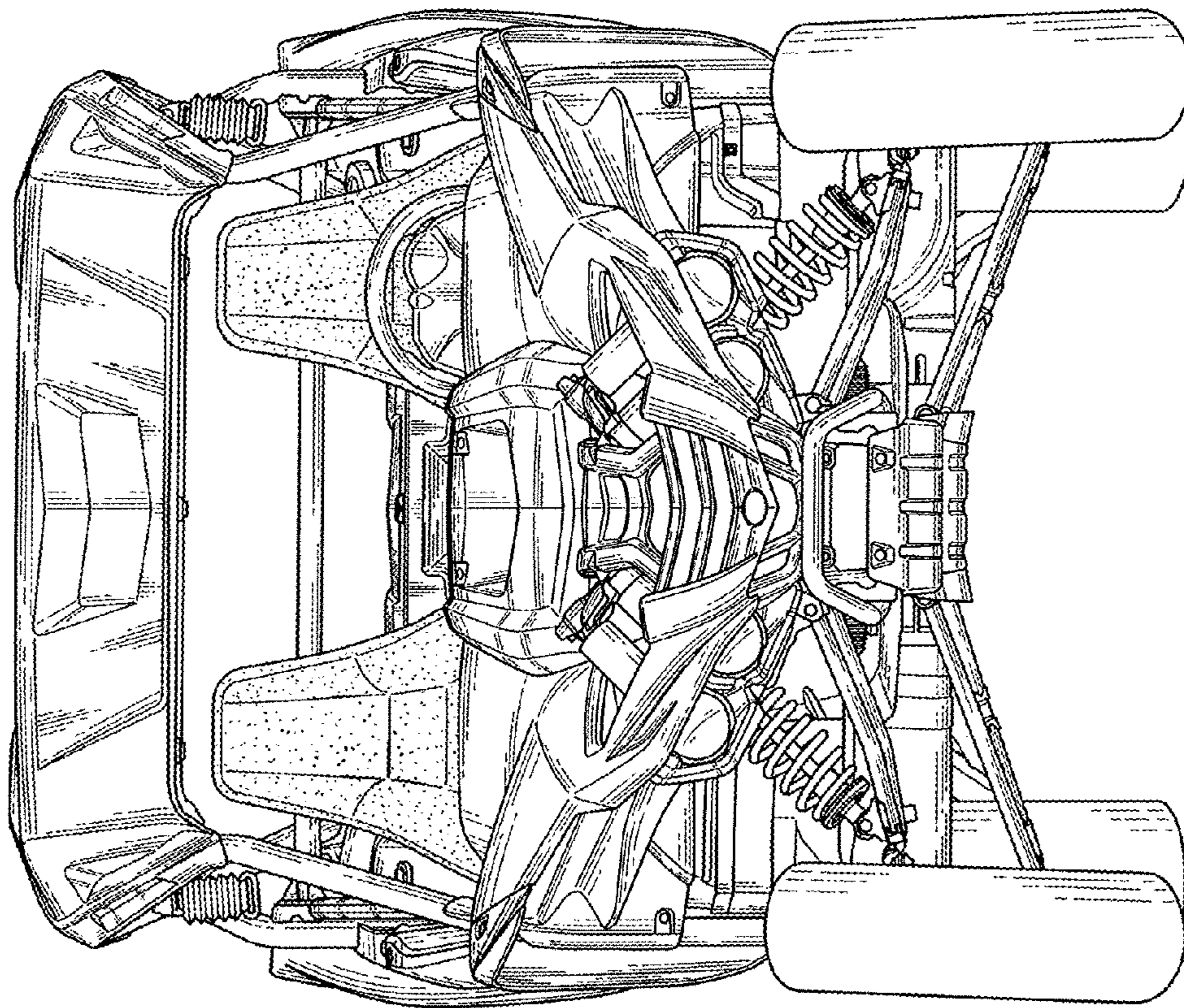


Fig. 3

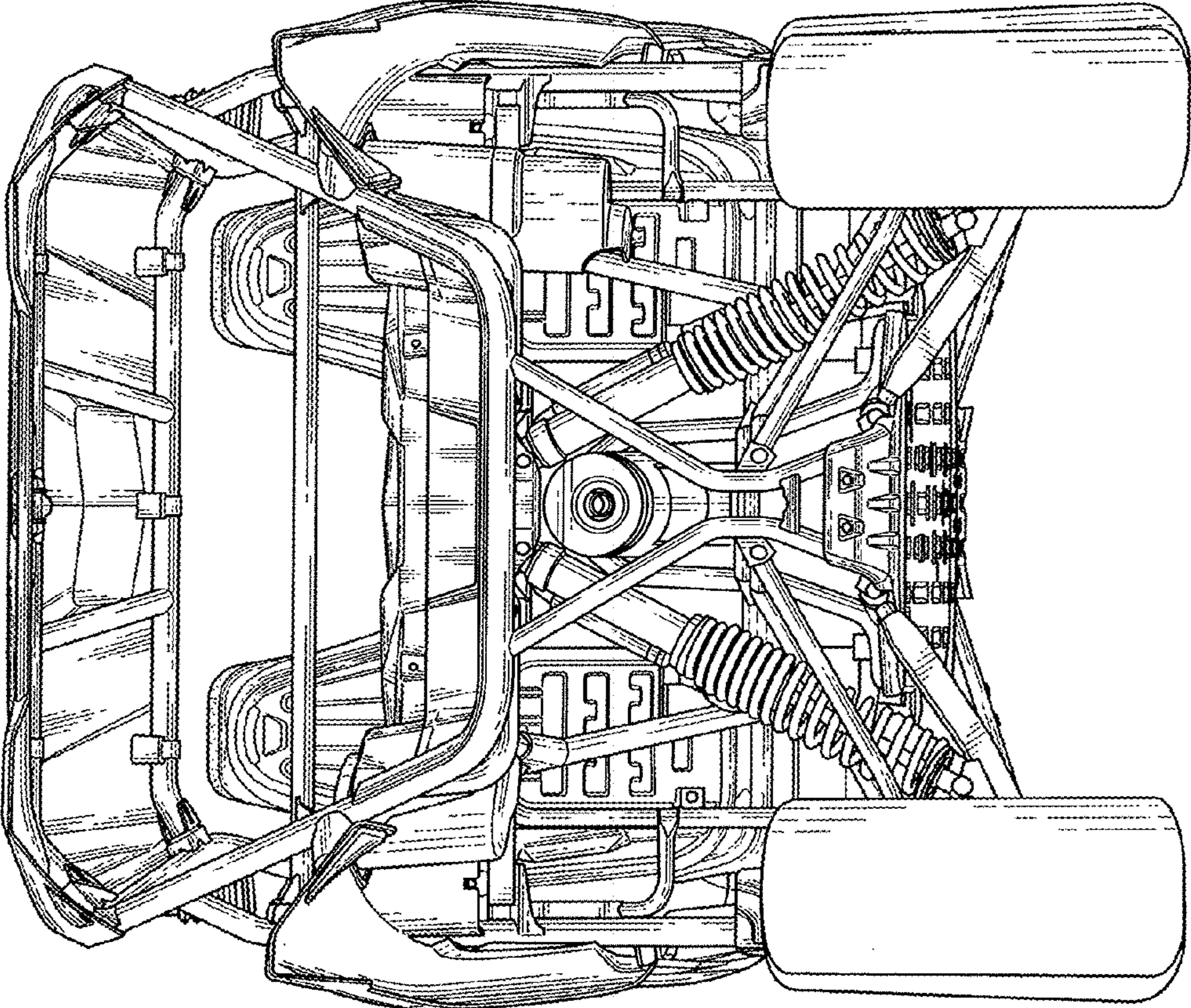


Fig. 4

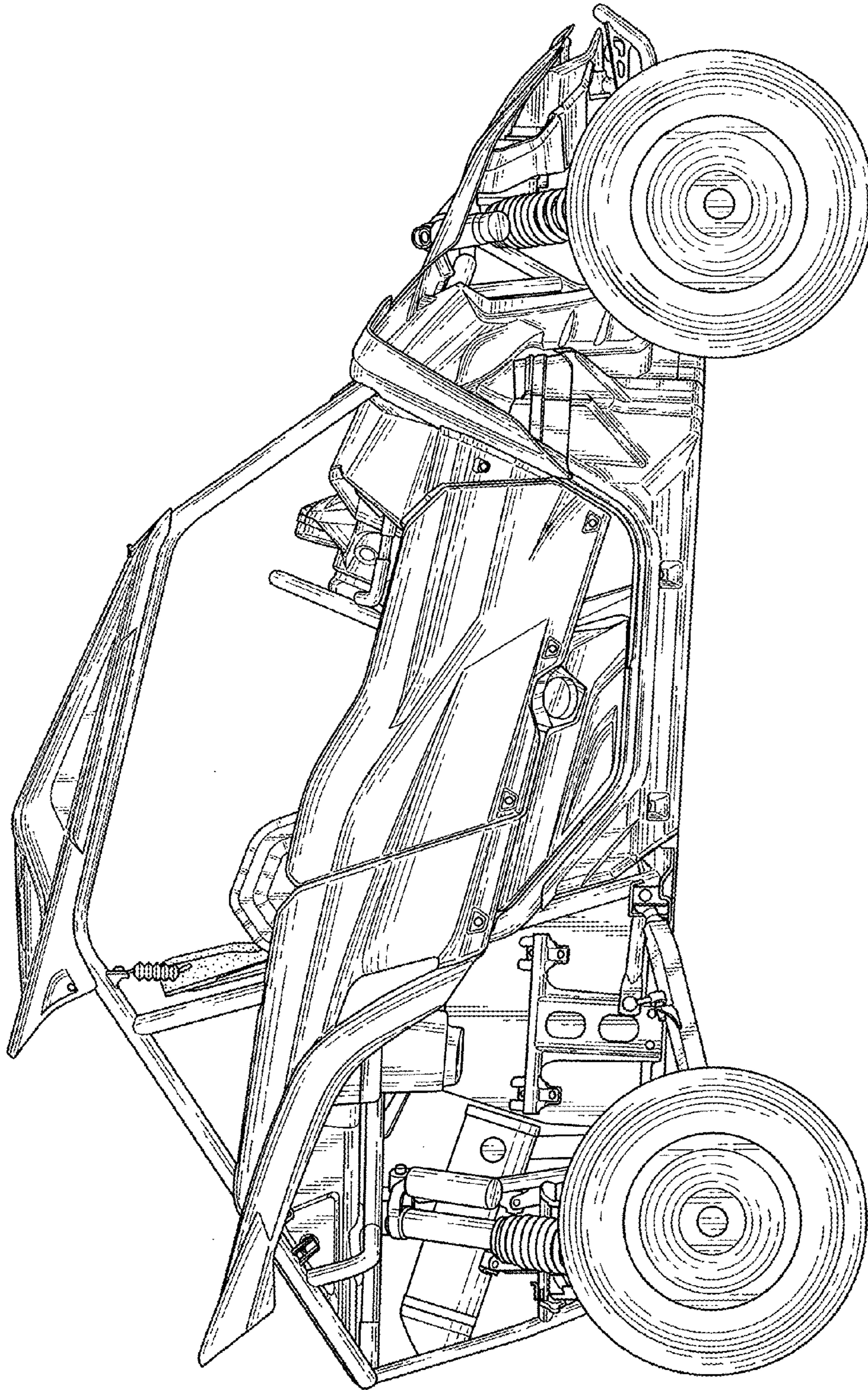


Fig. 5

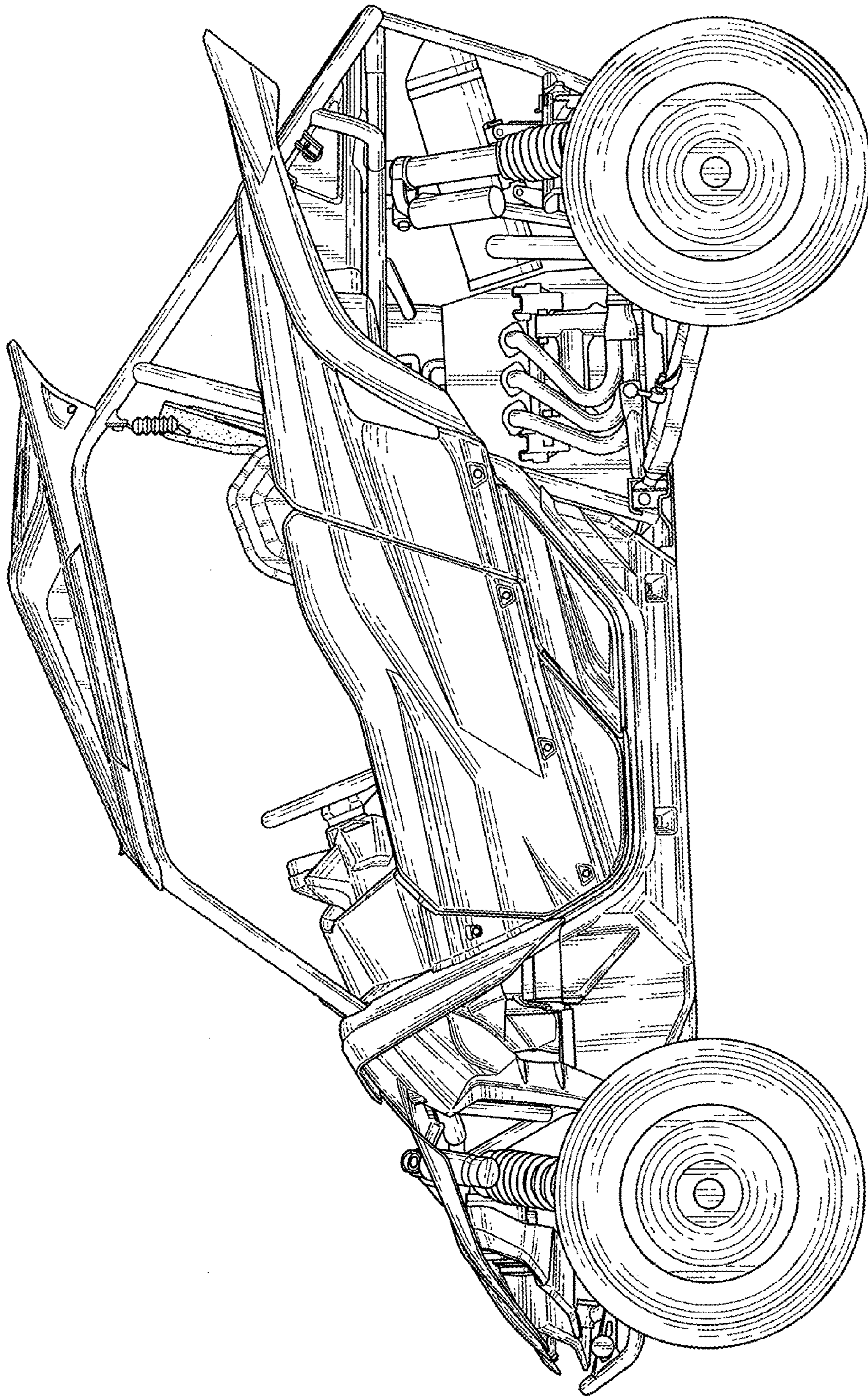


Fig. 6

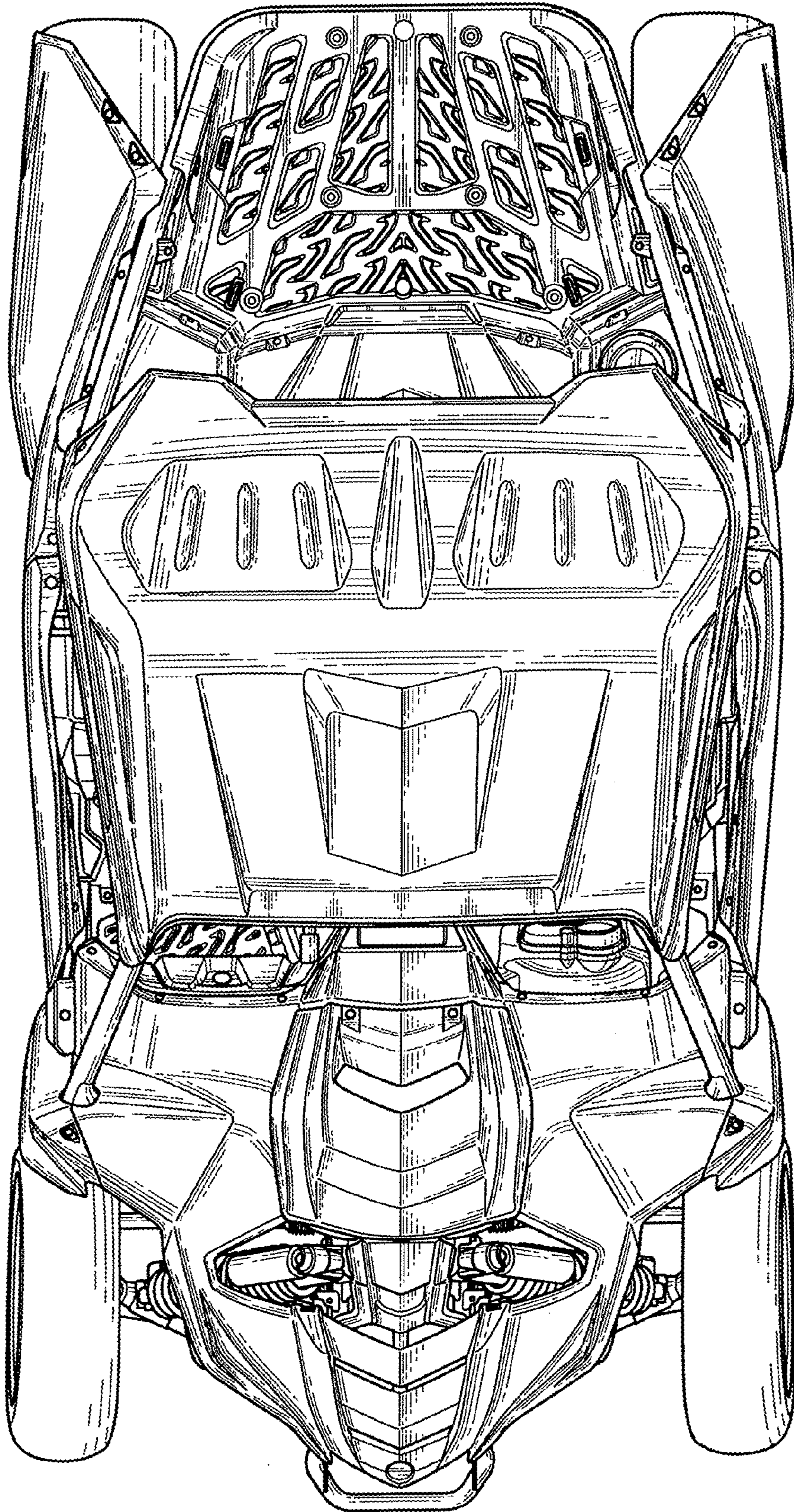


Fig. 7



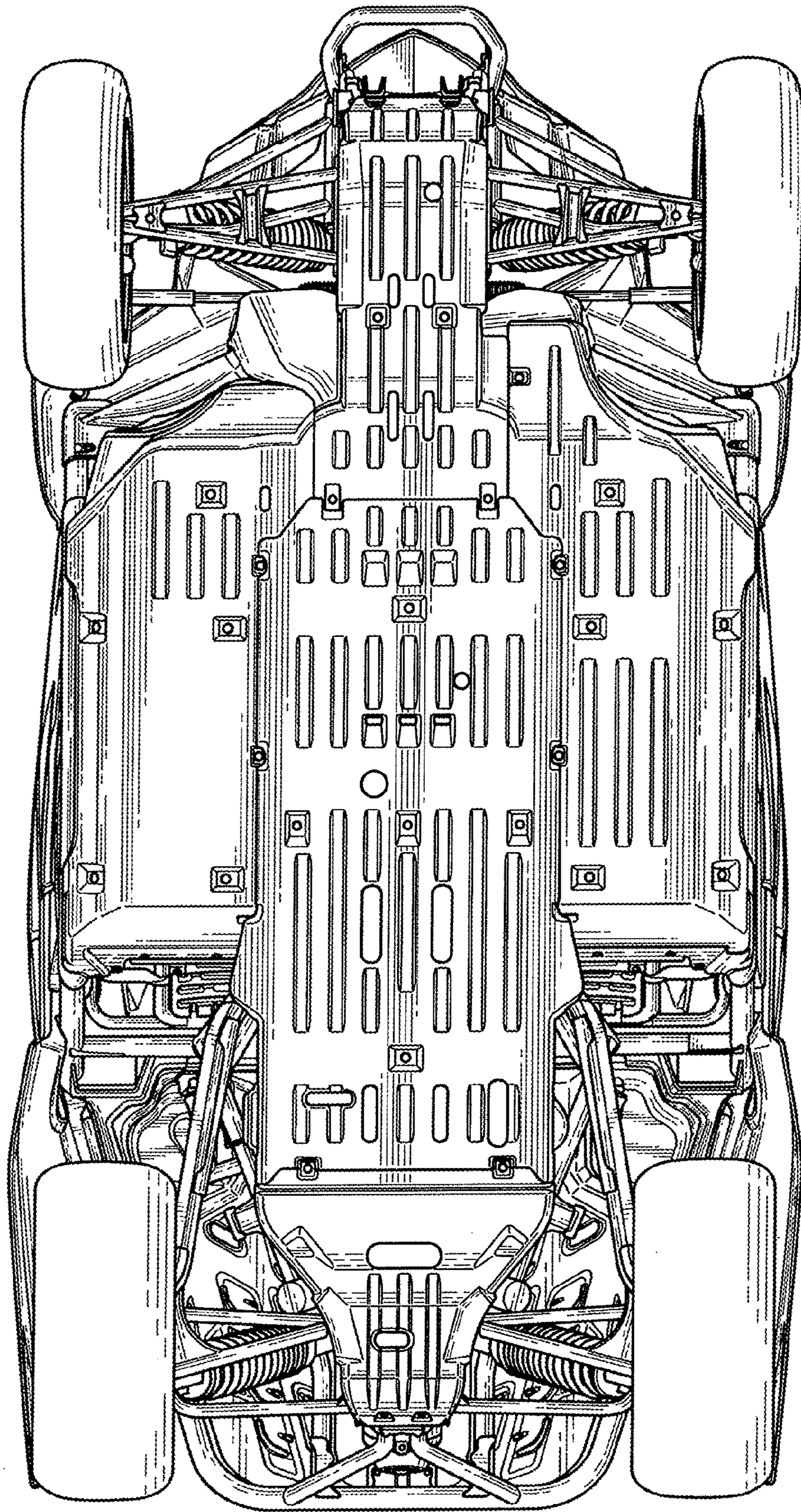


Fig. 8

UNITED STATES PATENT AND TRADEMARK OFFICE  
**CERTIFICATE OF CORRECTION**

PATENT NO. : D762,522 S  
APPLICATION NO. : 29/522287  
DATED : August 2, 2016  
INVENTOR(S) : Shogo Kinoshita

Page 1 of 1

It is certified that error appears in the above-identified patent and that said Letters Patent is hereby corrected as shown below:

On the Title Page

Below the DESCRIPTION section has been corrected to read: 1 Claim, 7 Drawing Sheets.

In the Drawings

Delete Sheet 8 of 8, consisting of Fig. 8.

Signed and Sealed this  
Twenty-first Day of February, 2017



Michelle K. Lee  
*Director of the United States Patent and Trademark Office*