



US00D762516S

(12) **United States Design Patent**
Cobos

(10) **Patent No.:** **US D762,516 S**
(45) **Date of Patent:** **** Aug. 2, 2016**

- (54) **PUMPKIN SHAPED EMBOSSED EASTER EGG**
- (71) Applicant: **Darcie Cobos**, Simi Valley, CA (US)
- (72) Inventor: **Darcie Cobos**, Simi Valley, CA (US)
- (**) Term: **14 Years**
- (21) Appl. No.: **29/519,950**
- (22) Filed: **Mar. 9, 2015**
- (51) **LOC (10) Cl.** **11-05**
- (52) **U.S. Cl.**
USPC **D11/125; D99/27**
- (58) **Field of Classification Search**
USPC D11/117, 121, 122, 125, 131, 157;
D99/25, 27; D1/106, 127, 199; 428/3,
428/7, 8, 9, 11
CPC A47G 33/00; A47G 33/008; A47G 33/02;
A47G 33/08; A47G 2033/0827
See application file for complete search history.

D478,681 S	8/2003	Newcomb	
D491,485 S *	6/2004	Kumar	D11/125
D525,837 S *	8/2006	Orozco	D11/125
D559,727 S *	1/2008	Garrison	D11/117
D574,291 S *	8/2008	Liuzzi	D11/117
D623,555 S *	9/2010	Reithlingshoefer	D11/125
D663,409 S *	7/2012	Browder	D23/367
D677,372 S *	3/2013	Browder	D23/367
D679,757 S *	4/2013	Fecso	D20/29
D697,422 S *	1/2014	Changpan	D9/629
D700,101 S *	2/2014	Dubow	D11/125
D706,670 S	6/2014	Cobos	
D731,351 S *	6/2015	Itskovitz	D11/125
2002/0033397 A1	3/2002	Henson	
2003/0156415 A1 *	8/2003	Blatherwick	A63H 33/22 362/293
2004/0142120 A1 *	7/2004	Kumar	G09F 19/00 428/7
2007/0017915 A1	1/2007	Weder et al.	
2007/0036920 A1 *	2/2007	Birkmann	B44C 1/18 428/7
2011/0204049 A1	8/2011	Weder et al.	

* cited by examiner

Primary Examiner — Elizabeth J Oswecki
(74) *Attorney, Agent, or Firm* — Law Office of Ken Dallara;
Ken Dallara

(56) **References Cited**

U.S. PATENT DOCUMENTS

715,379 A *	12/1902	Herd	F21V 35/00 362/806
764,207 A *	7/1904	Robinson	F21L 19/00 362/806
2,428,133 A *	9/1947	Yogan	G09F 19/02 206/822
4,124,135 A	11/1978	Weder et al.	
D312,845 S	12/1990	Matsuda	
D345,621 S *	3/1994	McLaughlin, II	D11/121
D347,166 S *	5/1994	Ross	D9/603
D356,167 S *	3/1995	Bohannon	D26/125
D373,744 S	9/1996	Wotton	
5,808,215 A	9/1998	Cohen	
5,811,160 A *	9/1998	Chapman	A41G 1/005 428/17
D403,461 S *	12/1998	Friedmann	D11/117
D413,833 S *	9/1999	Hollinger	D11/121
D421,216 S	2/2000	Abrams et al.	
D442,650 S	5/2001	Allen	
6,554,443 B2 *	4/2003	Fan	F21S 9/02 362/253

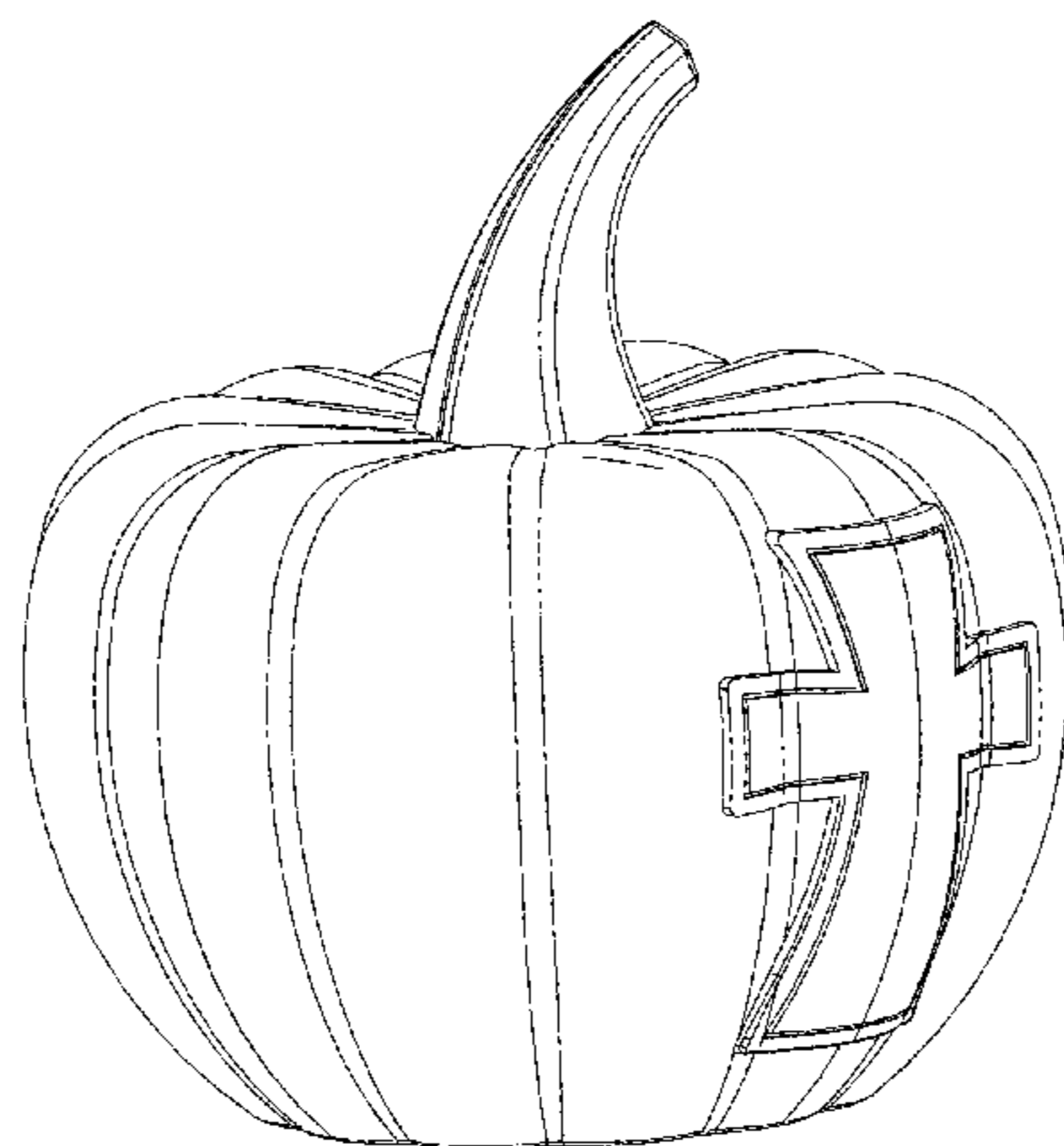
(57) **CLAIM**

The ornamental design for a pumpkin shaped embossed Easter egg, as shown and described.

DESCRIPTION

FIG. 1 is a top, left, front isometric view of a pumpkin shaped embossed Easter egg, showing my new design;
FIG. 2 is a top, left, front isometric view thereof;
FIG. 3 is a top, right, front isometric view thereof;
FIG. 4 is a bottom, left, front isometric view thereof;
FIG. 5 is a bottom, right, front isometric view thereof;
FIG. 6 is a top, left, rear isometric view thereof;
FIG. 7 is a top, right, rear isometric view thereof;
FIG. 8 is a bottom, left, rear isometric view thereof;
FIG. 9 is a bottom, right, rear isometric view thereof;
FIG. 10 is a top plan view thereof; and,
FIG. 11 is a bottom plan view thereof.

1 Claim, 4 Drawing Sheets



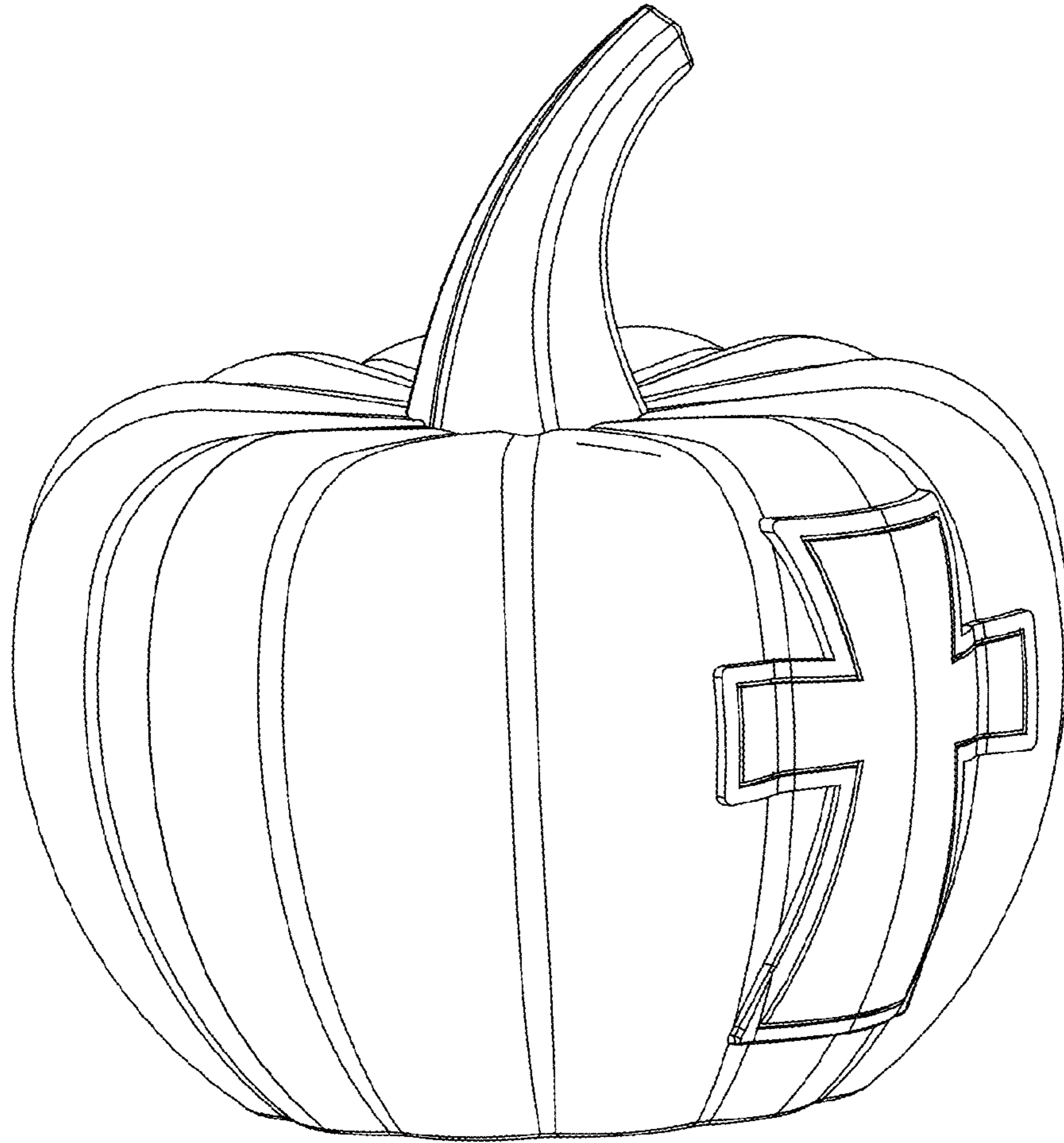


FIG. 1

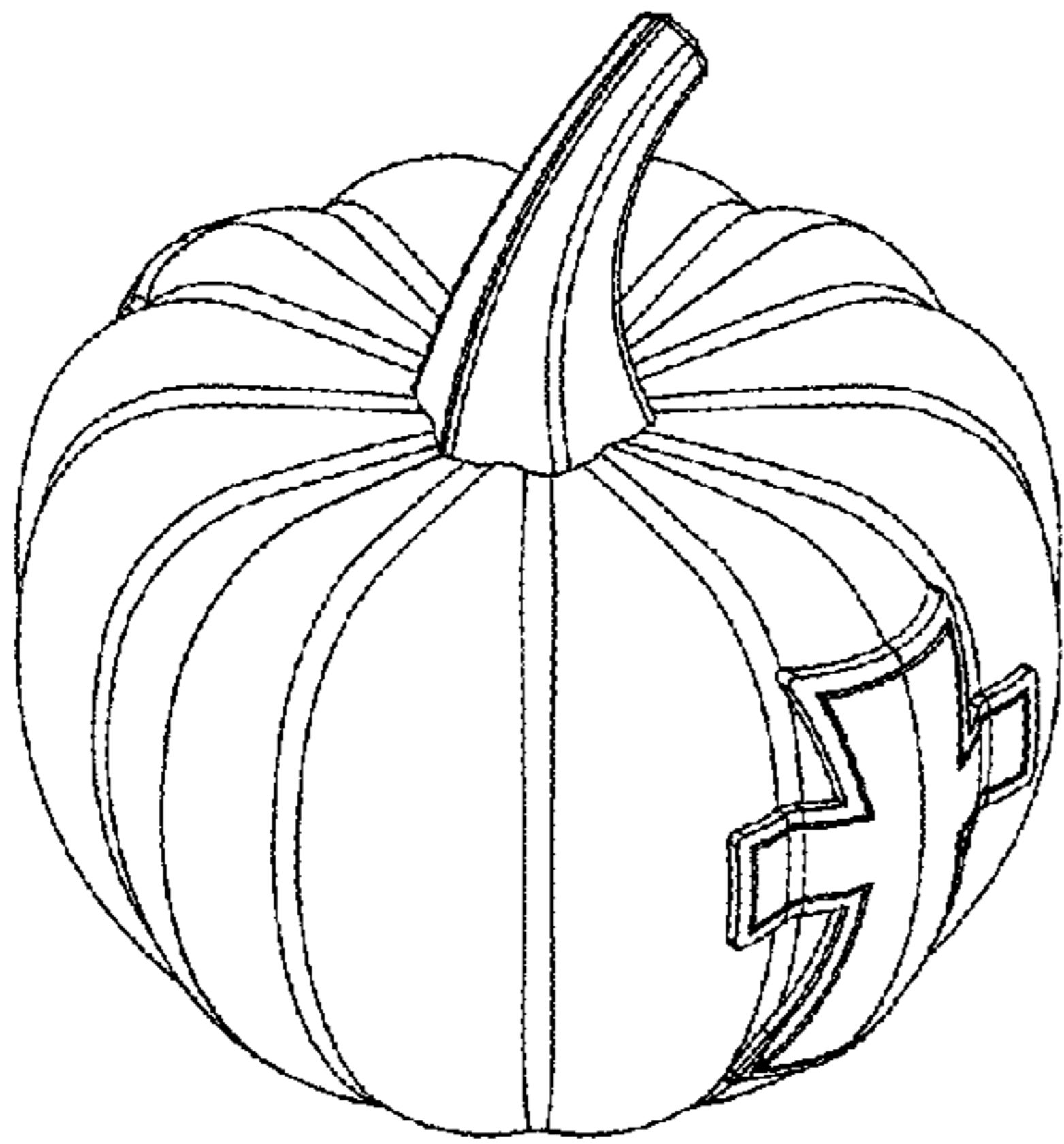


FIG. 2

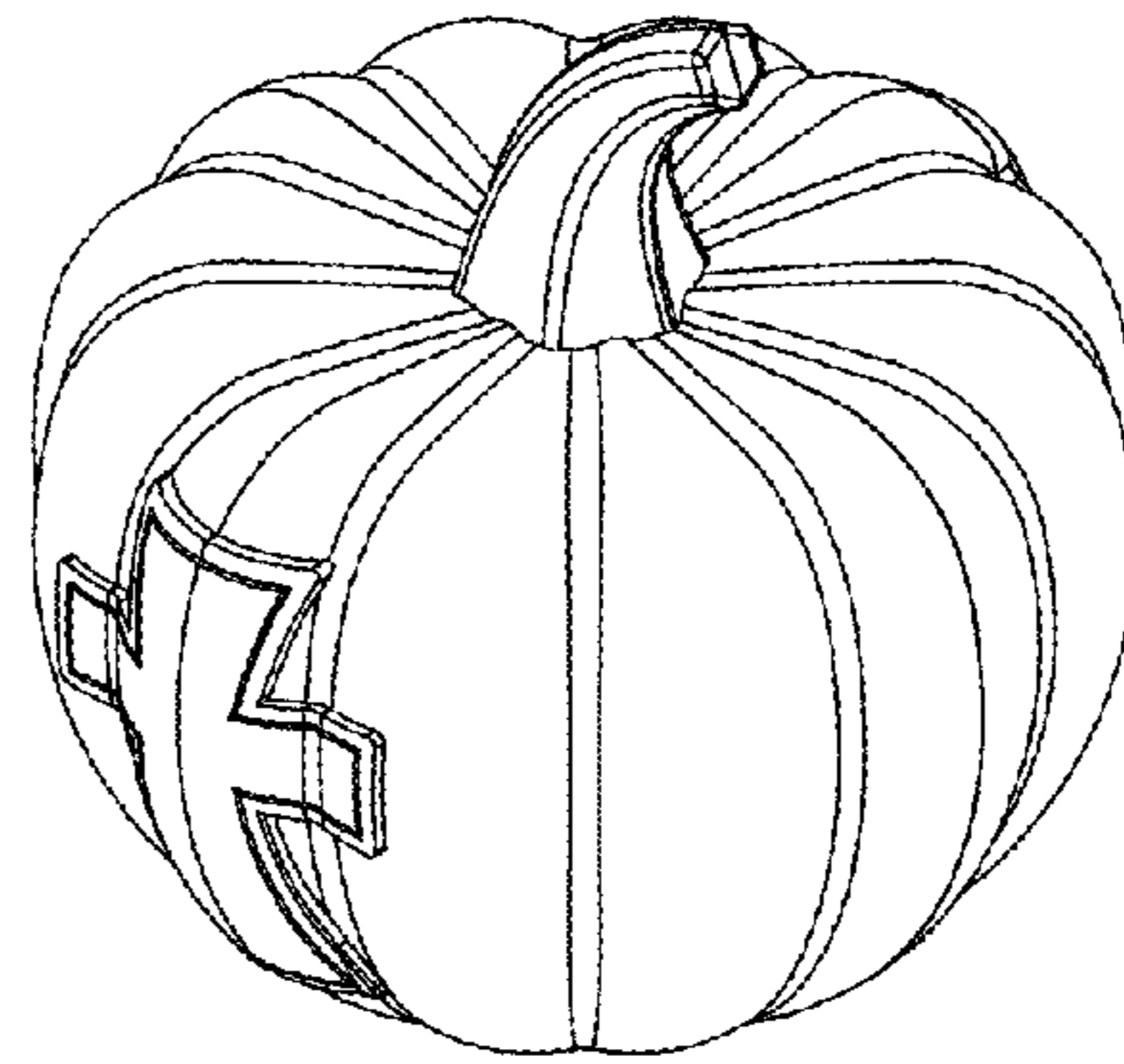


FIG. 3

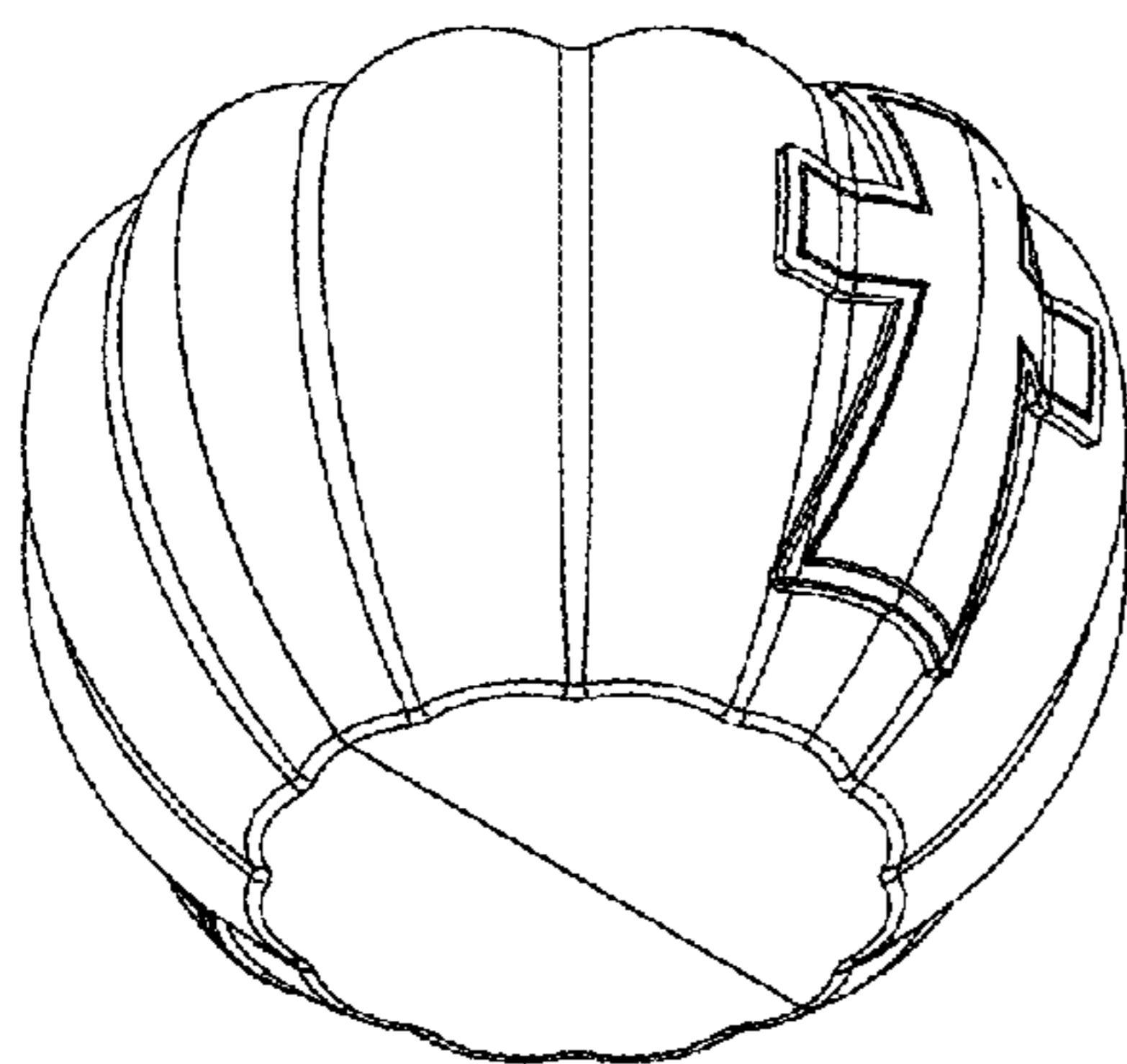


FIG. 4

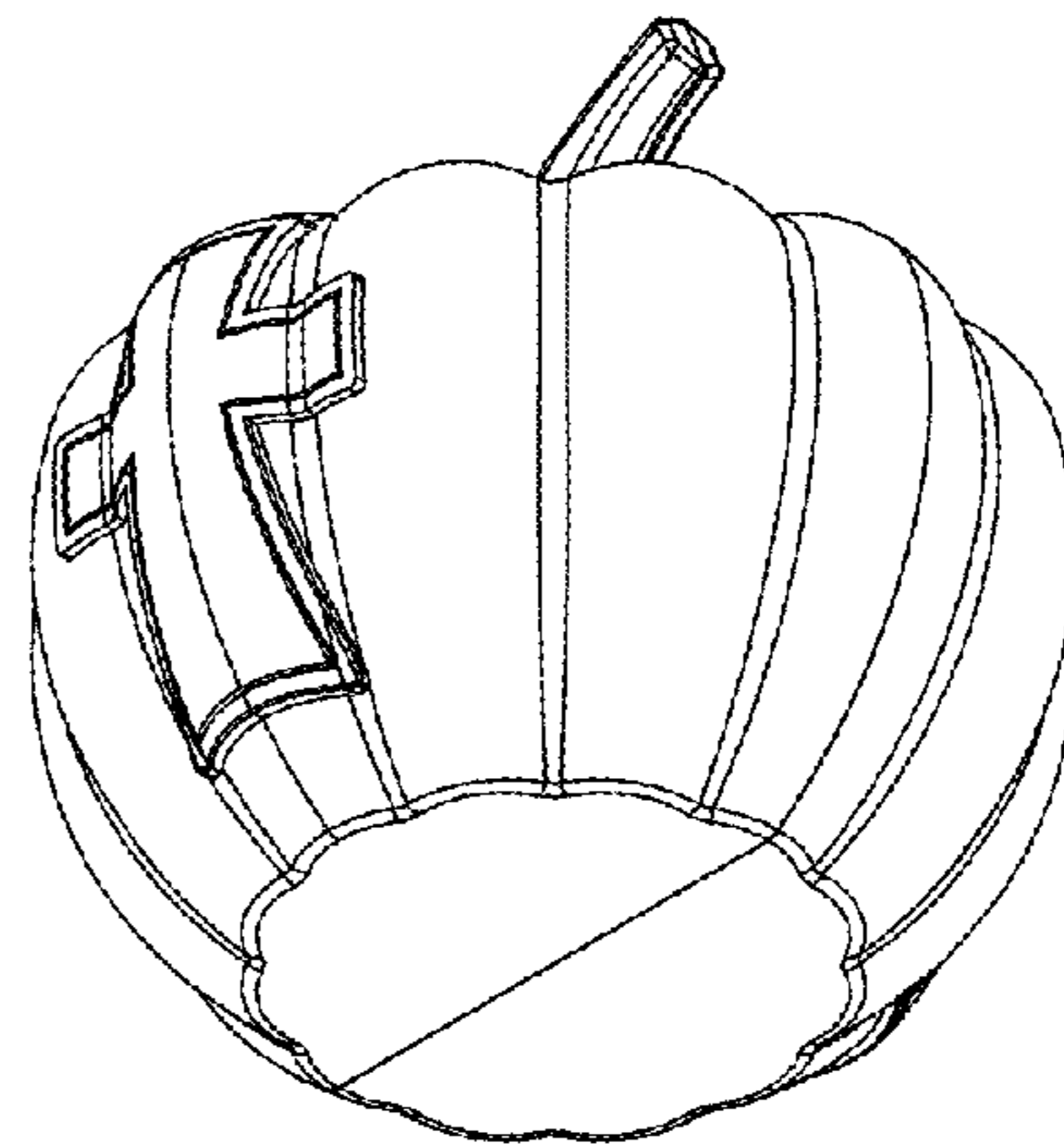


FIG. 5

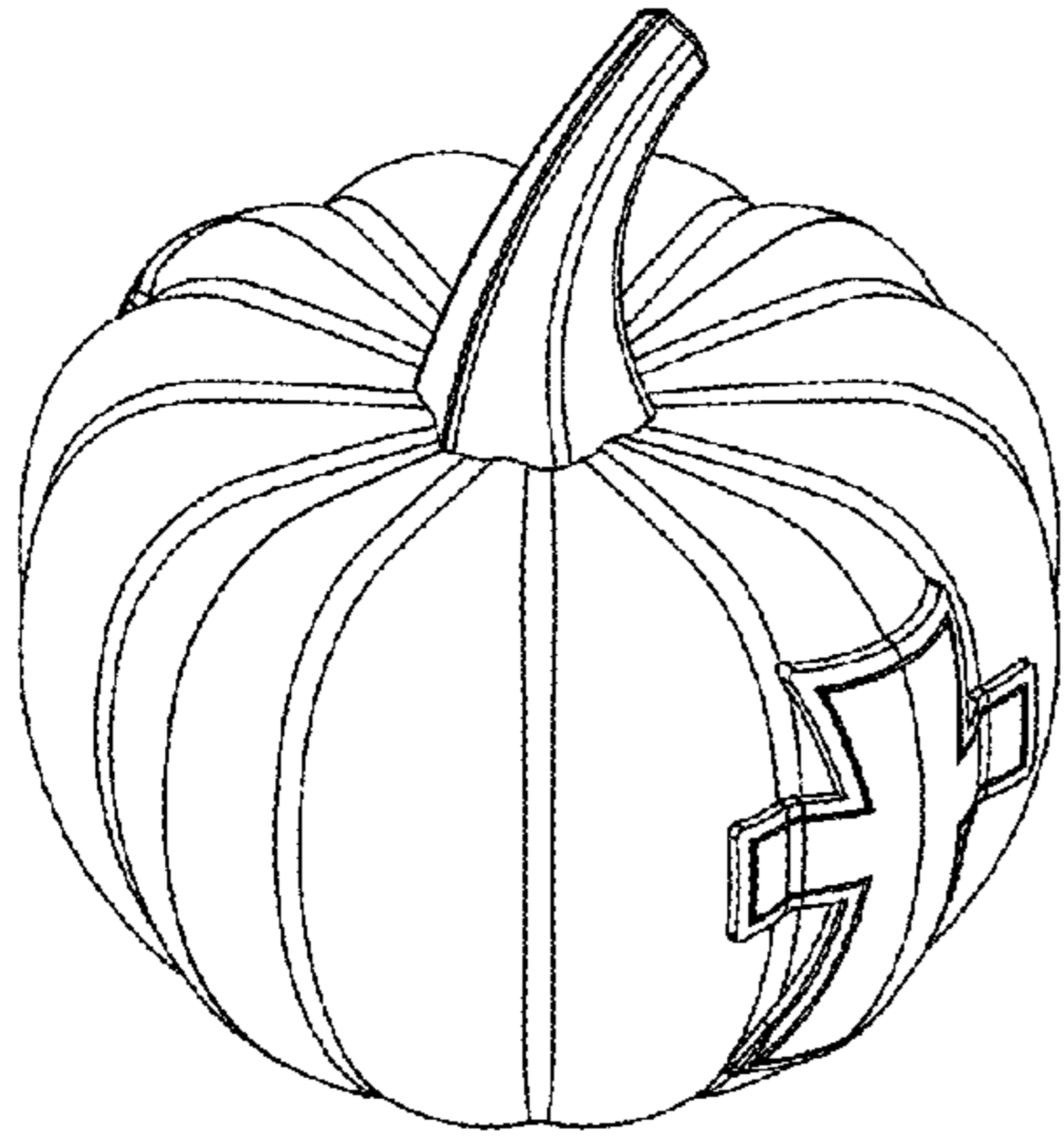


FIG. 6

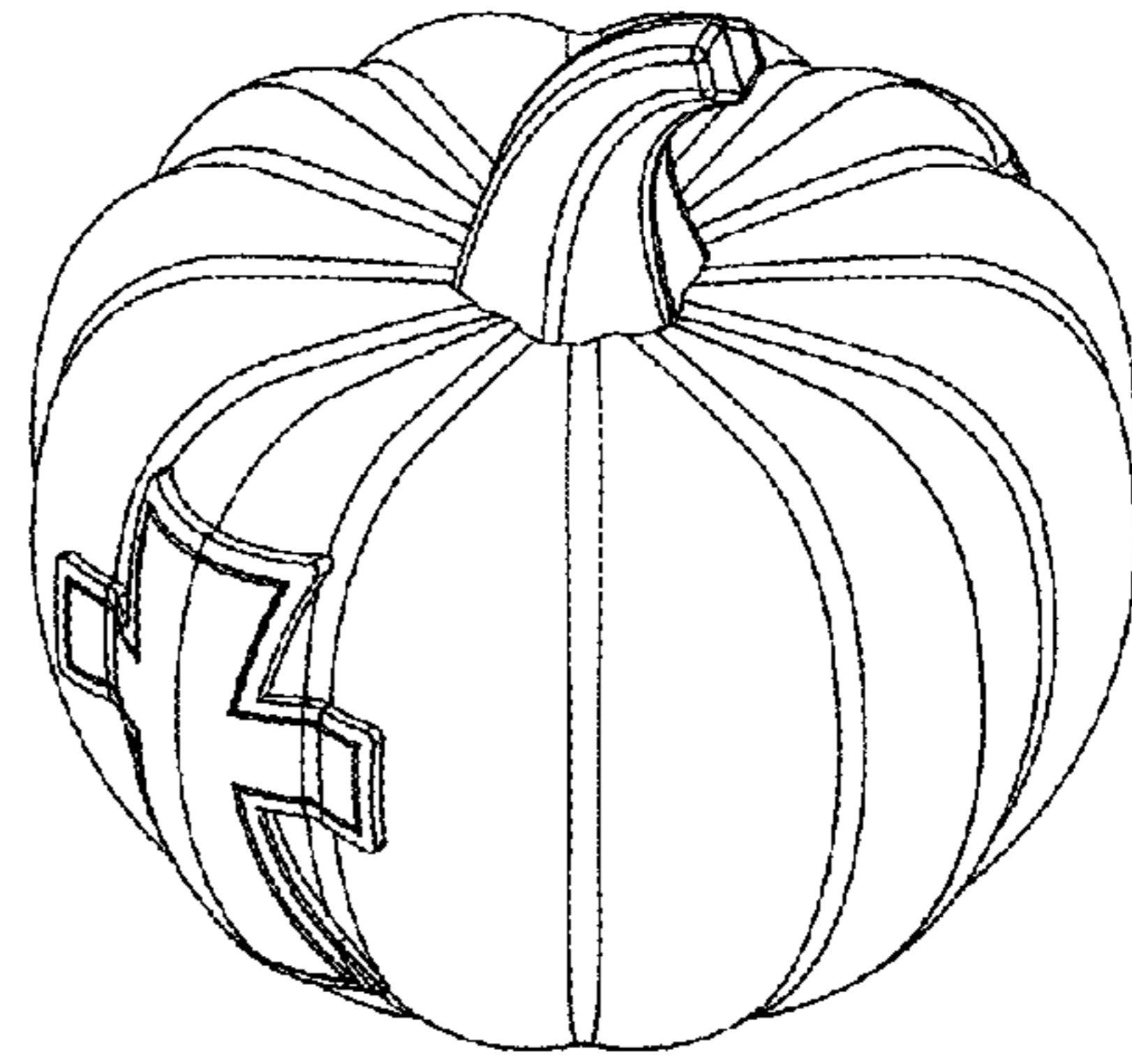


FIG. 7

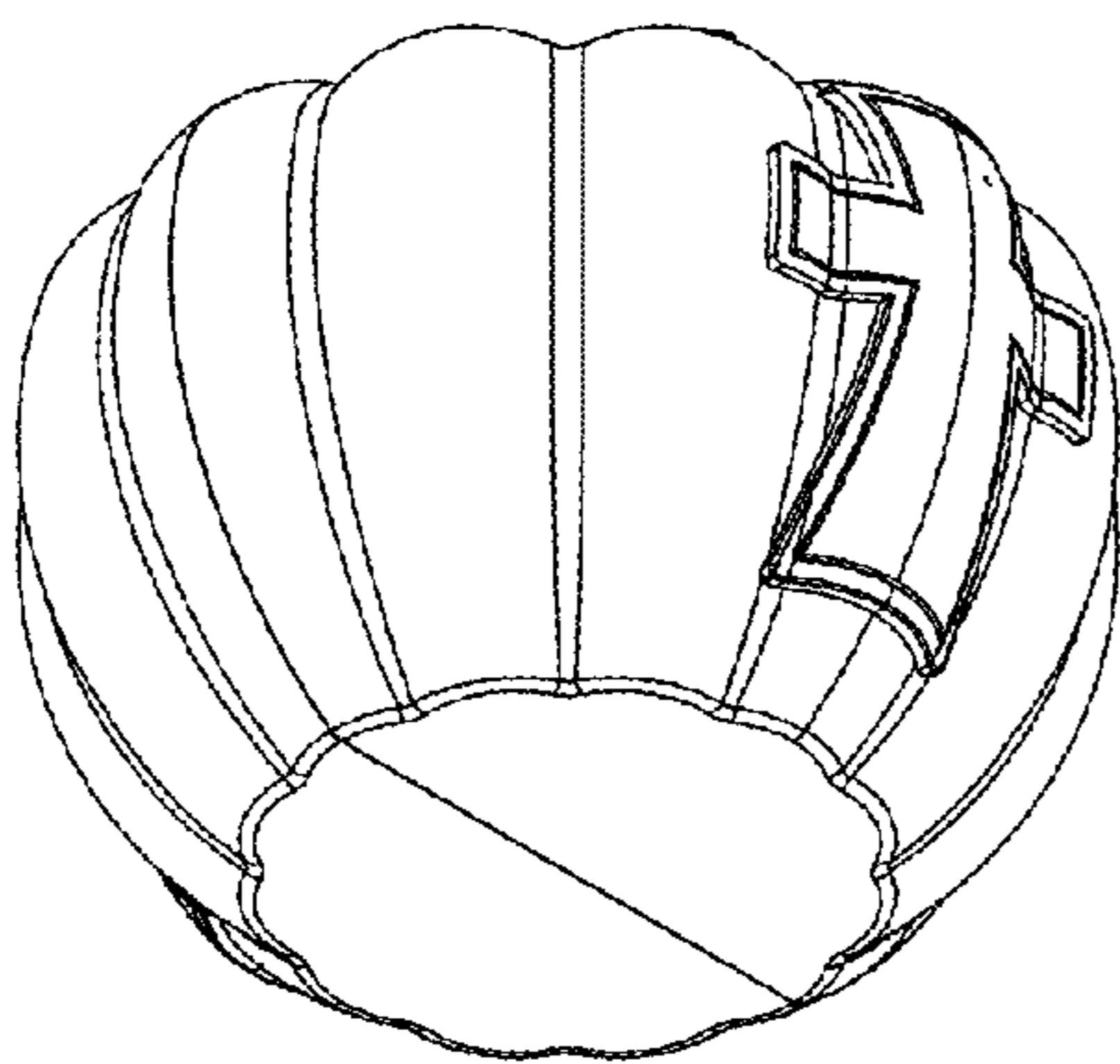


FIG. 8

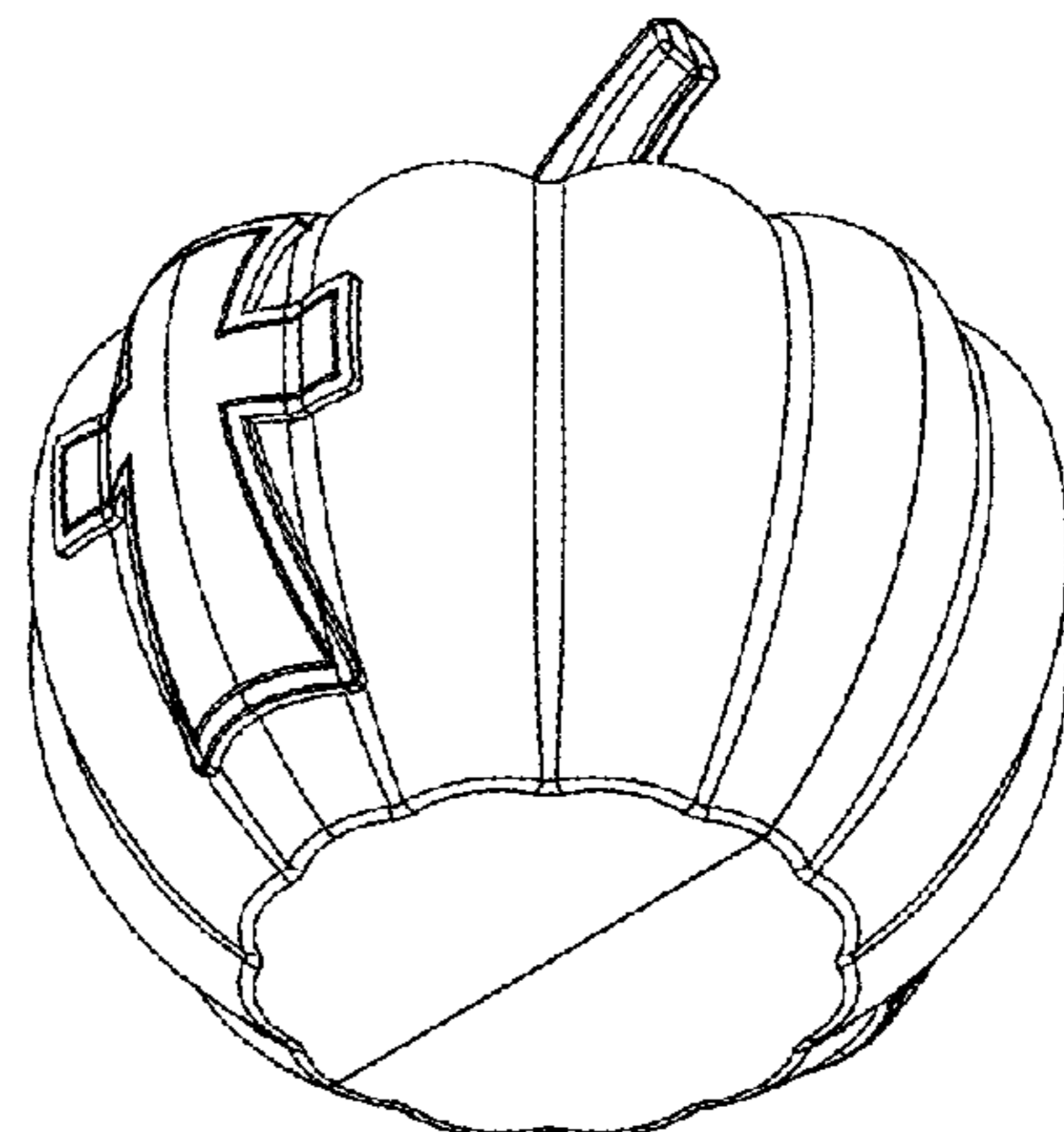


FIG. 9

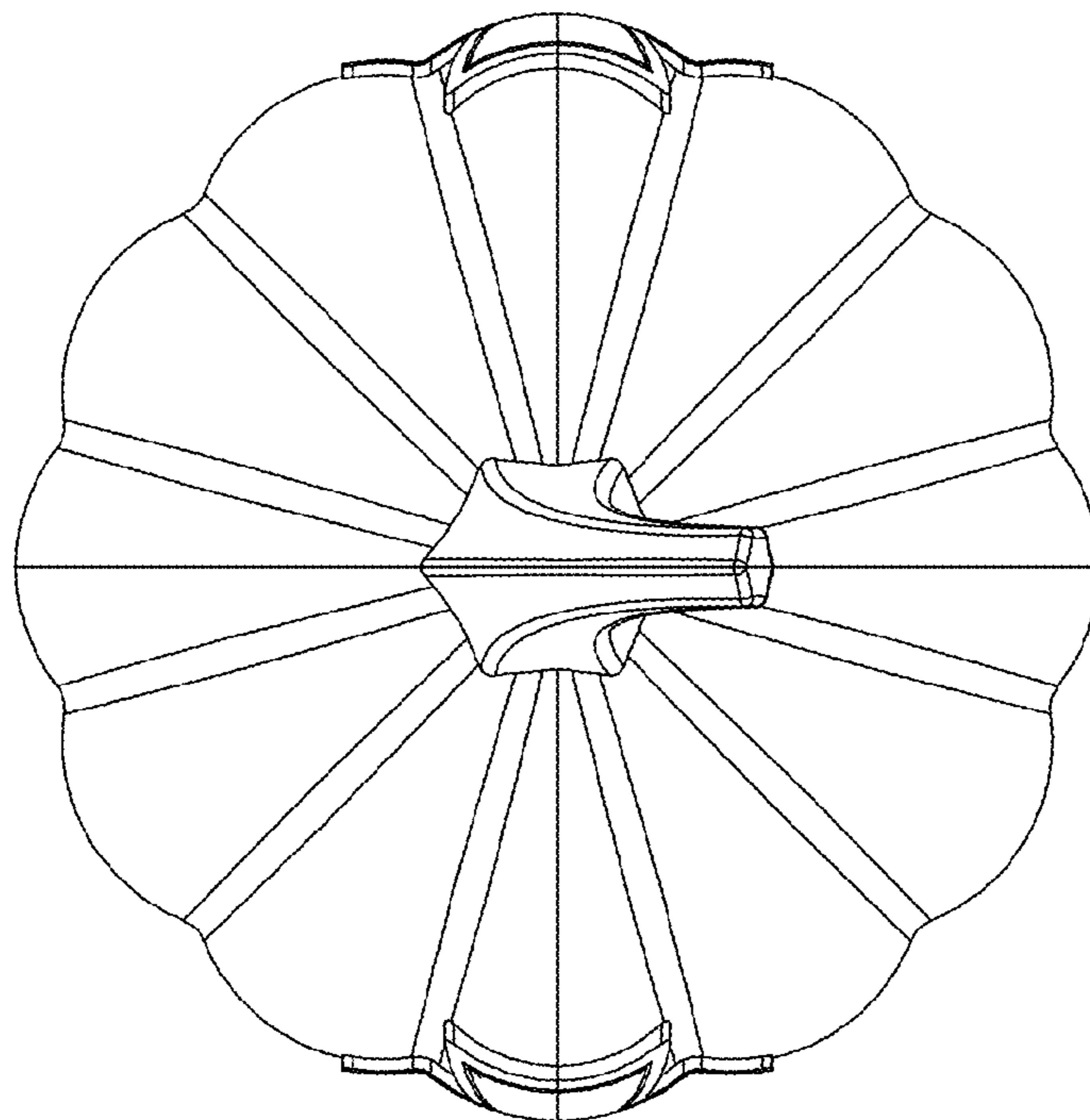


FIG. 10

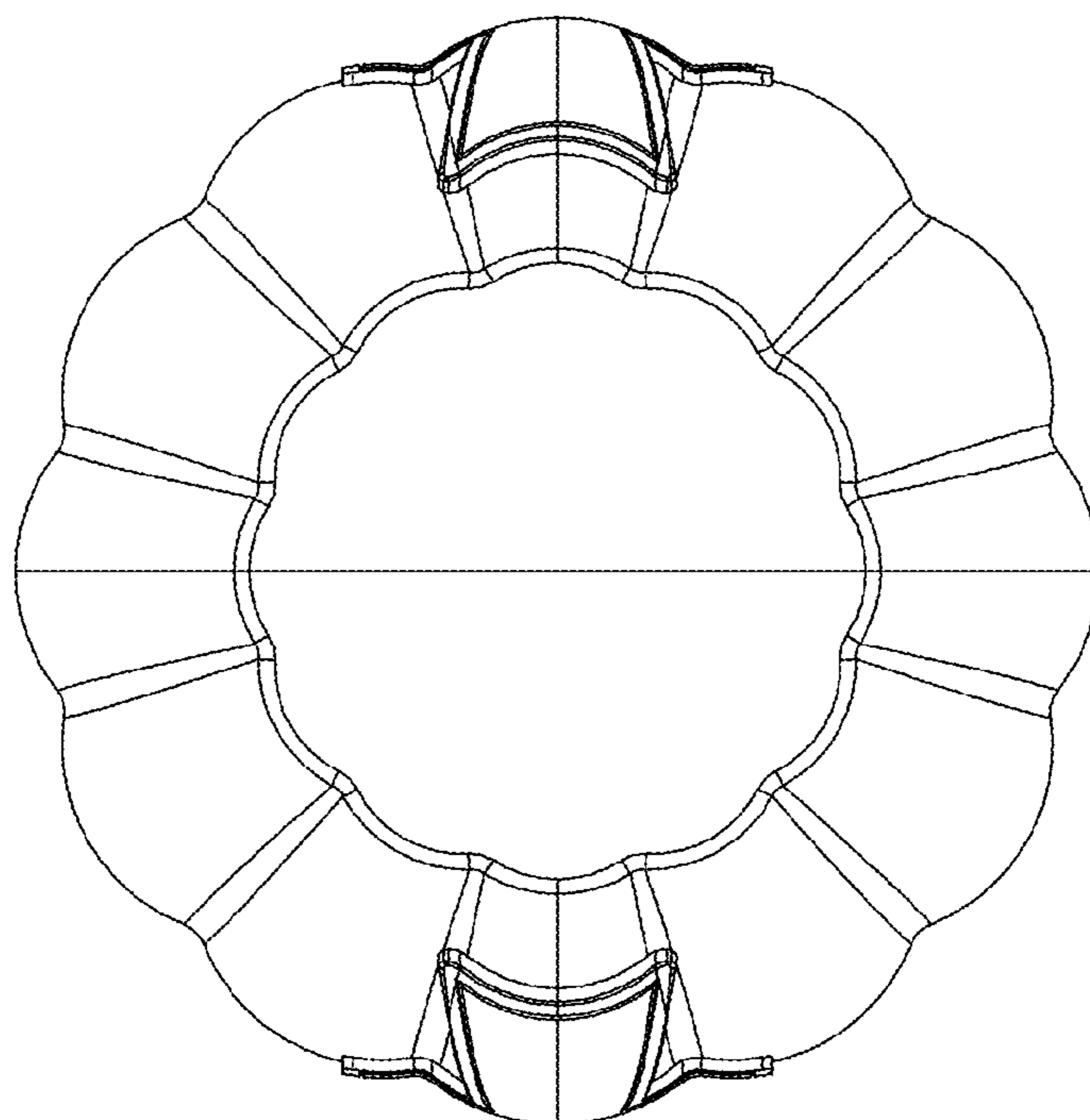


FIG. 11