

US00D762514S

(12) **United States Design Patent**
Amfitheatrof et al.

(10) **Patent No.:** **US D762,514 S**

(45) **Date of Patent:** **** Aug. 2, 2016**

(54) **LINK FOR JEWELRY CHAIN**

(56) **References Cited**

(71) Applicant: **Tiffany and Company**, New York, NY
(US)

U.S. PATENT DOCUMENTS

(72) Inventors: **Francesca Amfitheatrof**, New York, NY
(US); **Michael Dayan**, Brooklyn, NY
(US); **Nina Martensson**, Juoksengi
(SE); **Jessy Duval**, New York, NY (US)

2,435,081 A *	1/1948	Howard	119/786
D261,119 S *	10/1981	Barr	D11/7
D276,030 S *	10/1984	Bulgari	D11/13
D286,272 S *	10/1986	Bulgari	D11/93
D305,517 S *	1/1990	Bulgari	D11/93
D362,203 S *	9/1995	Grando	D11/13
D375,913 S *	11/1996	Rozenwasser	D11/13
D473,818 S *	4/2003	Salvisberg	D11/93
D510,712 S *	10/2005	Chia et al.	D11/93

(73) Assignee: **Tiffany and Company**, New York, NY
(US)

* cited by examiner

(**) Term: **14 Years**

Primary Examiner — Zenia Bennett

(74) *Attorney, Agent, or Firm* — Fross Zelnick Lehrman &
Zissu, P.C.; Charles T. J. Weigell, Esq.

(21) Appl. No.: **29/502,736**

(57) **CLAIM**

The ornamental design for a link for jewelry chain, as shown
and described.

(22) Filed: **Sep. 18, 2014**

DESCRIPTION

(51) **LOC (10) Cl.** **11-01**

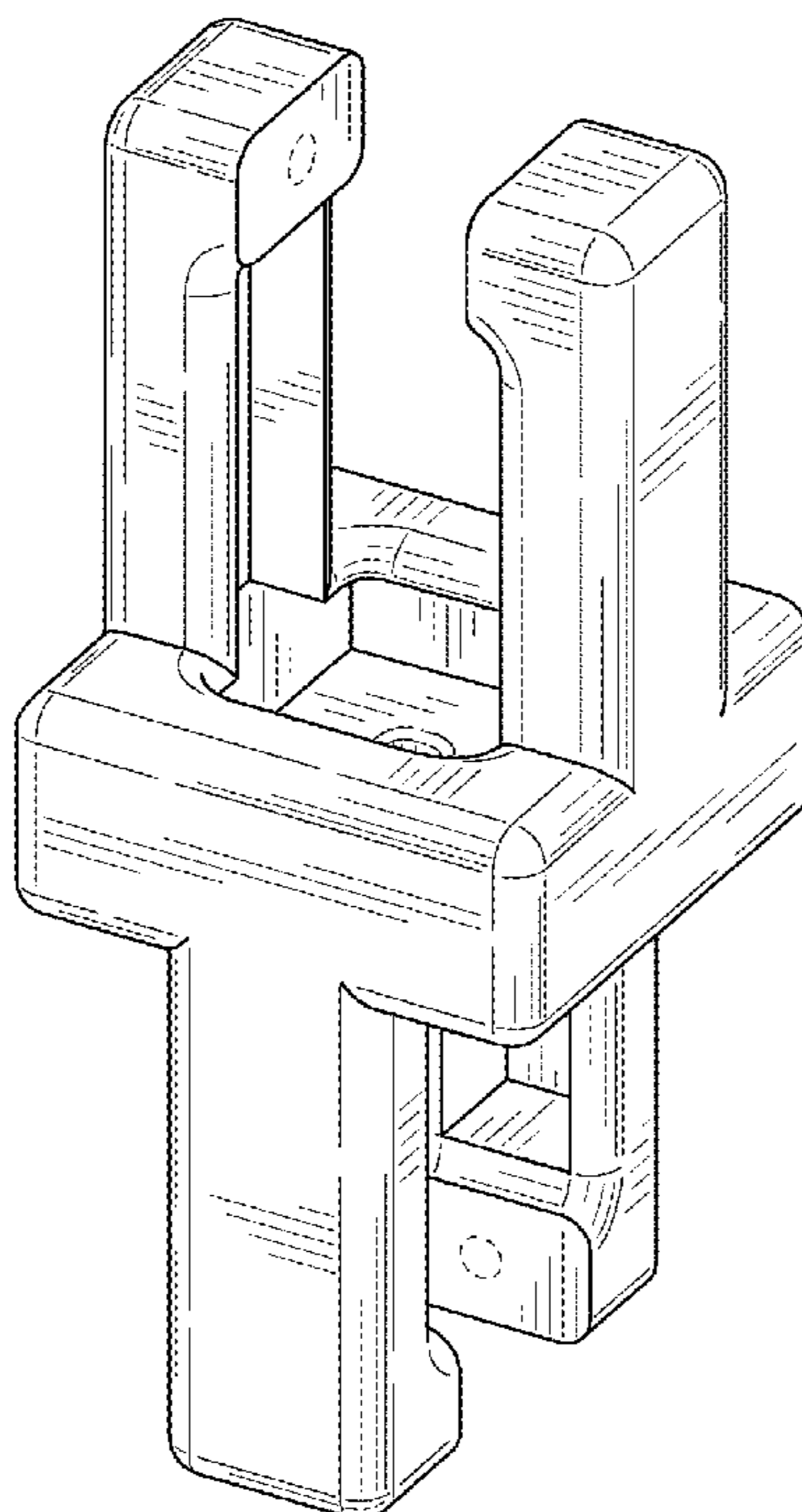
(52) **U.S. Cl.**
USPC **D11/94**

(58) **Field of Classification Search**
USPC D11/1-25, 32, 93, 94; 59/78, 79.2;
63/1.11, 3, 3.1, 3.2, 5.1, 5.2, 7-11;
224/175; D10/30-32

CPC A44C 5/02-5/246

See application file for complete search history.

1 Claim, 3 Drawing Sheets



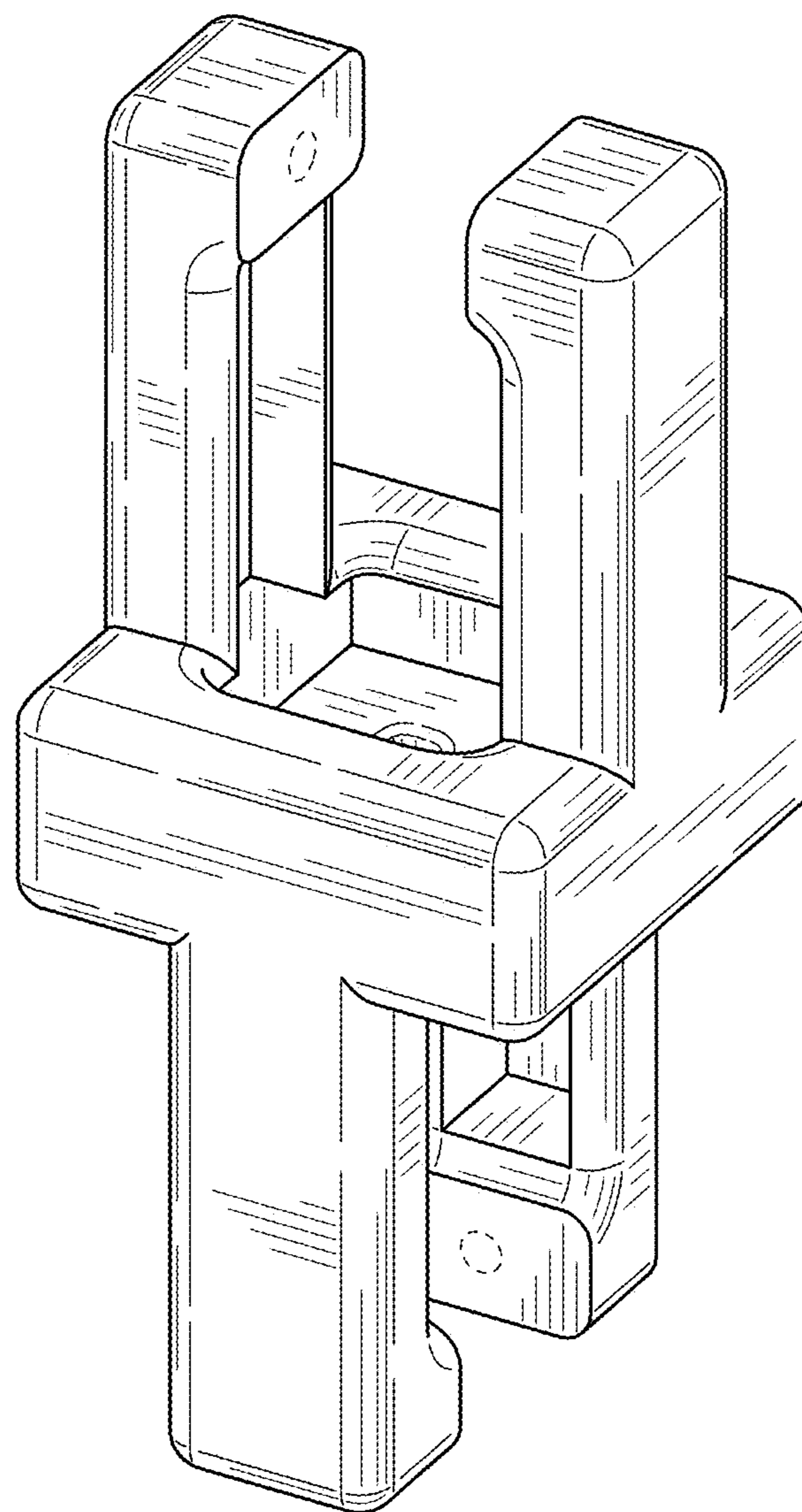


FIG. 1

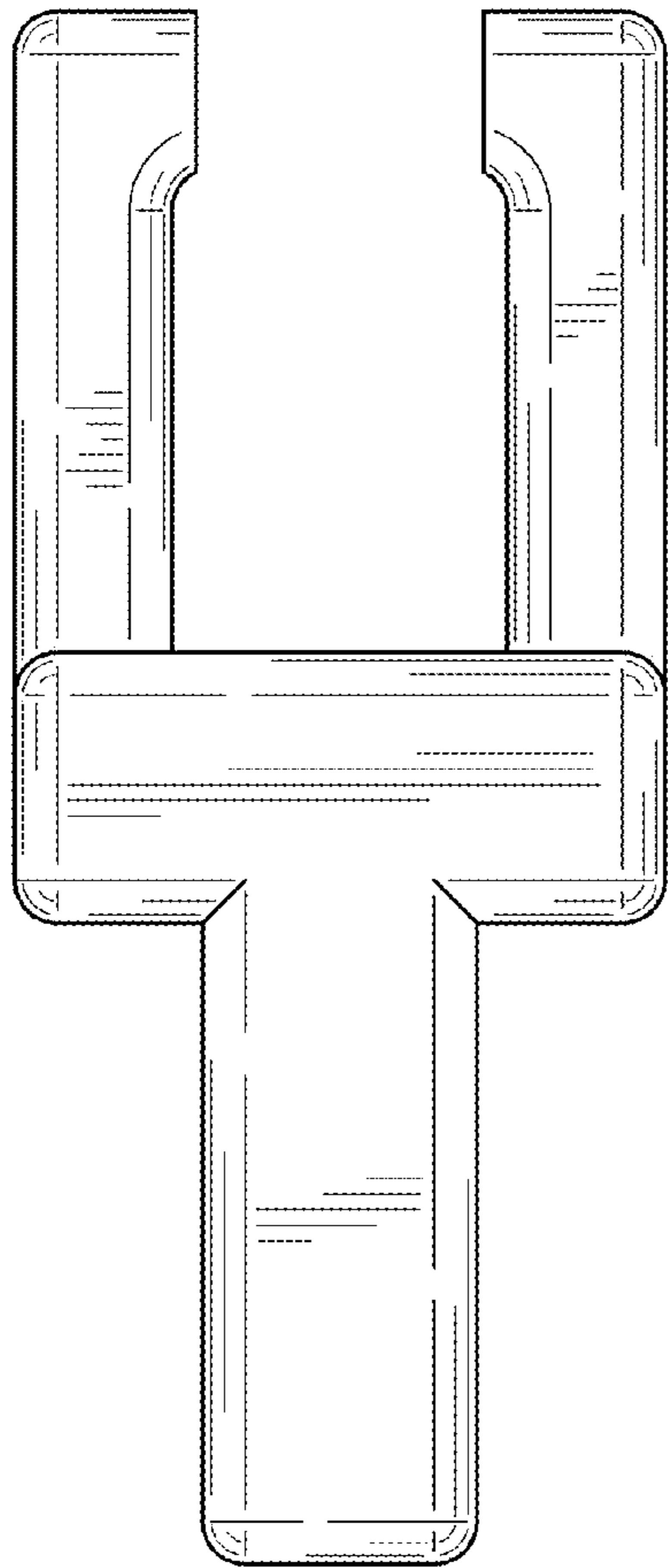


FIG. 2

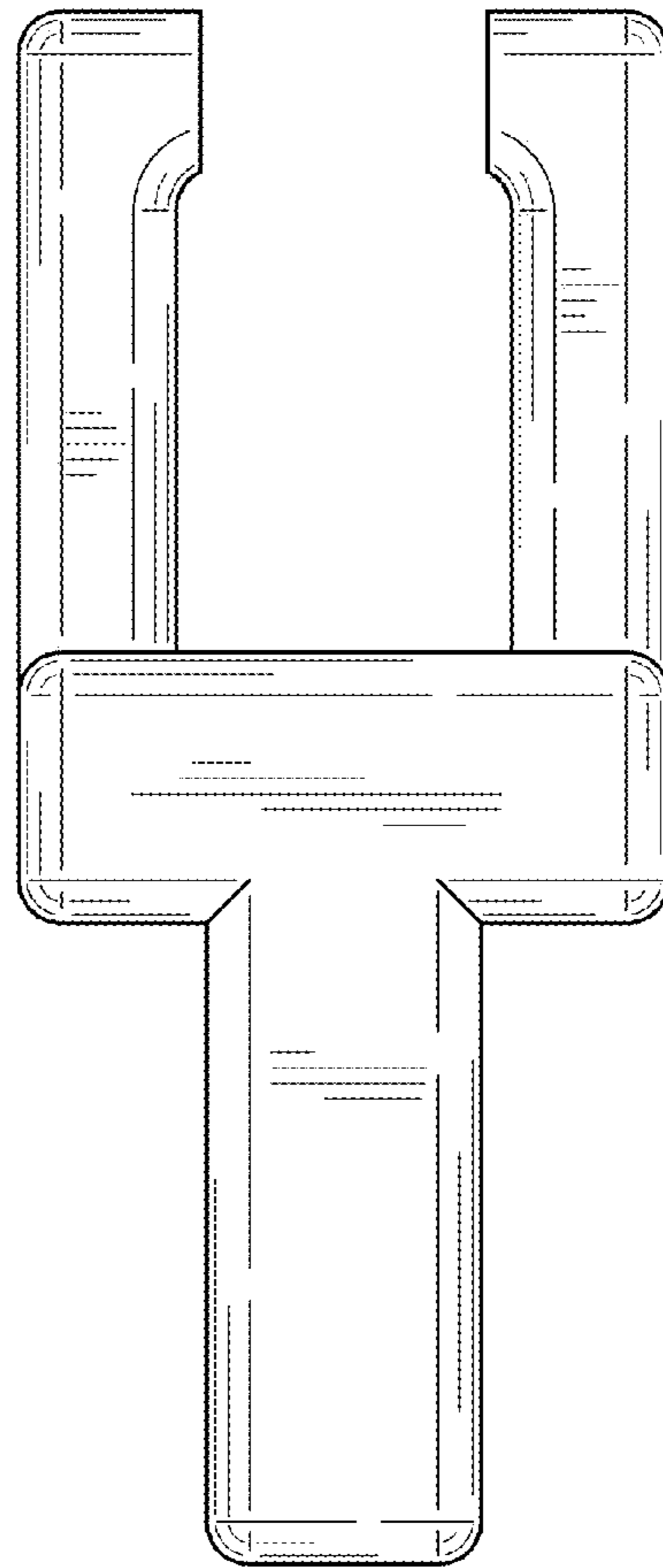


FIG. 3

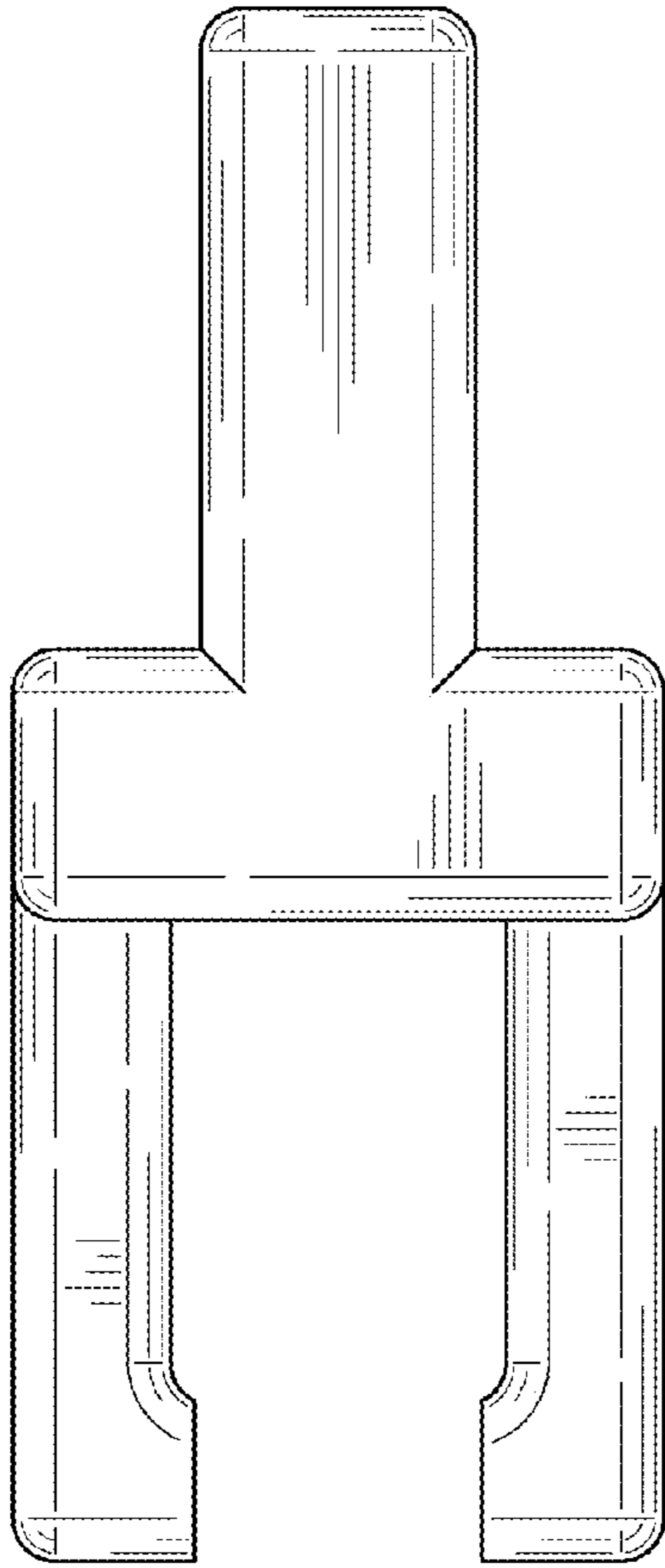


FIG. 4

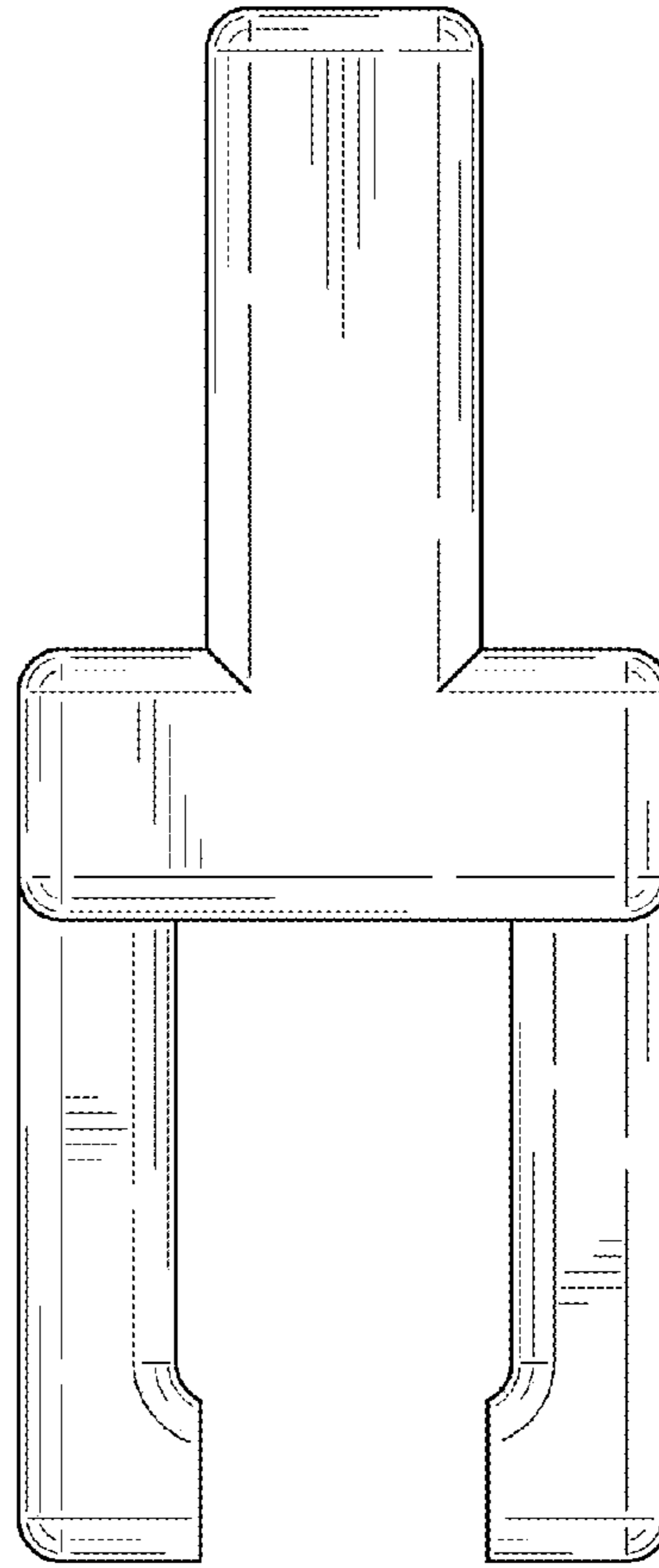


FIG. 5

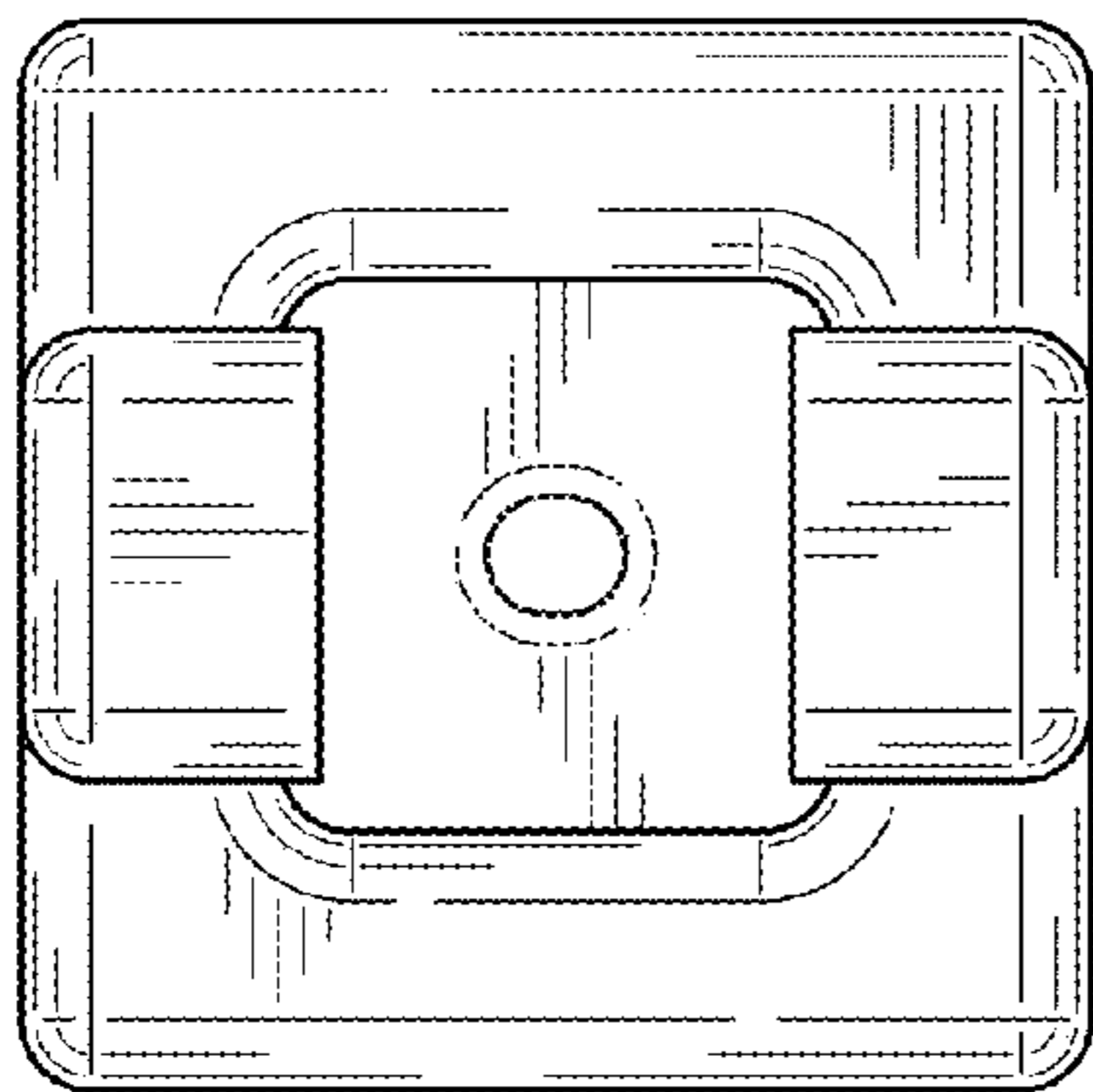


FIG. 6

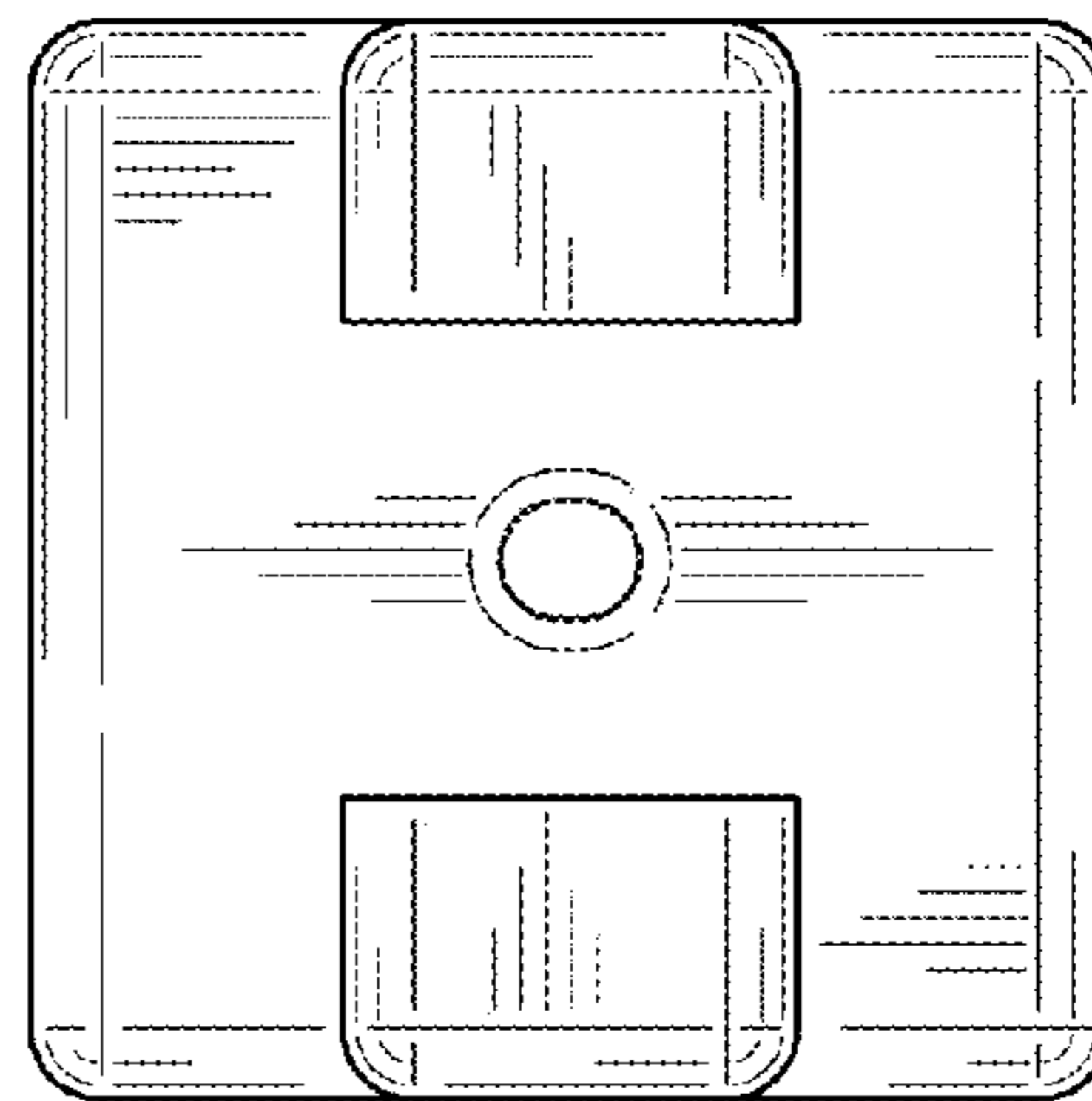


FIG. 7

UNITED STATES PATENT AND TRADEMARK OFFICE
CERTIFICATE OF CORRECTION

PATENT NO. : D762,514 S
APPLICATION NO. : 29/502736
DATED : August 2, 2016
INVENTOR(S) : Francesca Amfitheatrof et al.

Page 1 of 1

It is certified that error appears in the above-identified patent and that said Letters Patent is hereby corrected as shown below:

TITLE PAGE

Item (72) Inventors, the 2nd inventor's name should be revised to "Michal Dayan".

Signed and Sealed this
Fourth Day of October, 2016



Michelle K. Lee
Director of the United States Patent and Trademark Office