

US00D762507S

(12) **United States Design Patent**
Pipkin

(10) **Patent No.:** **US D762,507 S**

(45) **Date of Patent:** **** Aug. 2, 2016**

(54) **VIBRATING VEHICLE OCCUPANCY MONITORING FOB AND SENSORS**

(71) Applicant: **Gene Pipkin**, St.Pete, FL (US)

(72) Inventor: **Gene Pipkin**, St.Pete, FL (US)

(**) Term: **14 Years**

(21) Appl. No.: **29/524,630**

(22) Filed: **Apr. 22, 2015**

(51) **LOC (10) Cl.** **10-05**

(52) **U.S. Cl.**
USPC **D10/106.9; D3/207; D10/70**

(58) **Field of Classification Search**
USPC D3/207, 208, 212; D10/70, 106.9
CPC B60N 2/002; B60R 21/01512; B60R 21/01516; B60R 21/0152; B60R 21/01522; B60R 21/01524; B60R 21/01526; B60R 21/01528; B60R 21/0153; B60R 21/01532; B60R 21/01534; B60R 21/01536; B60R 21/01538; B60R 21/0154; B60R 21/01
See application file for complete search history.

(56) **References Cited**

U.S. PATENT DOCUMENTS

D457,719 S *	5/2002	Tu	D3/207
7,009,522 B2	3/2006	Flanagan et al.		
7,218,218 B1	5/2007	Rogers		
7,498,937 B2 *	3/2009	Martin	G08B 21/0288 340/539.1
D631,053 S *	1/2011	Bailey	D10/70
8,038,213 B2	10/2011	Owens		
D650,715 S	12/2011	Hill et al.		
8,378,801 B1 *	2/2013	Freeman	B60N 2/002 340/426.13
D707,442 S *	6/2014	Ventrello	D3/208

8,768,292 B2 *	7/2014	Welch	B60N 2/002 455/404.2
D714,664 S *	10/2014	Naughton	D10/53
D718,157 S *	11/2014	Naughton	D10/53
D723,957 S *	3/2015	Evans	D10/70
9,183,719 B2 *	11/2015	Gouge	A61B 5/01
D748,507 S *	2/2016	Evans	D10/70
D749,440 S *	2/2016	Farin	D10/70
9,266,535 B2 *	2/2016	Schoenberg	B60W 40/10
2003/0122662 A1	7/2003	Quinonez		
2013/0333733 A1	12/2013	Harrison		

FOREIGN PATENT DOCUMENTS

WO WO2008030417 3/2008

* cited by examiner

Primary Examiner — Antoine D Davis

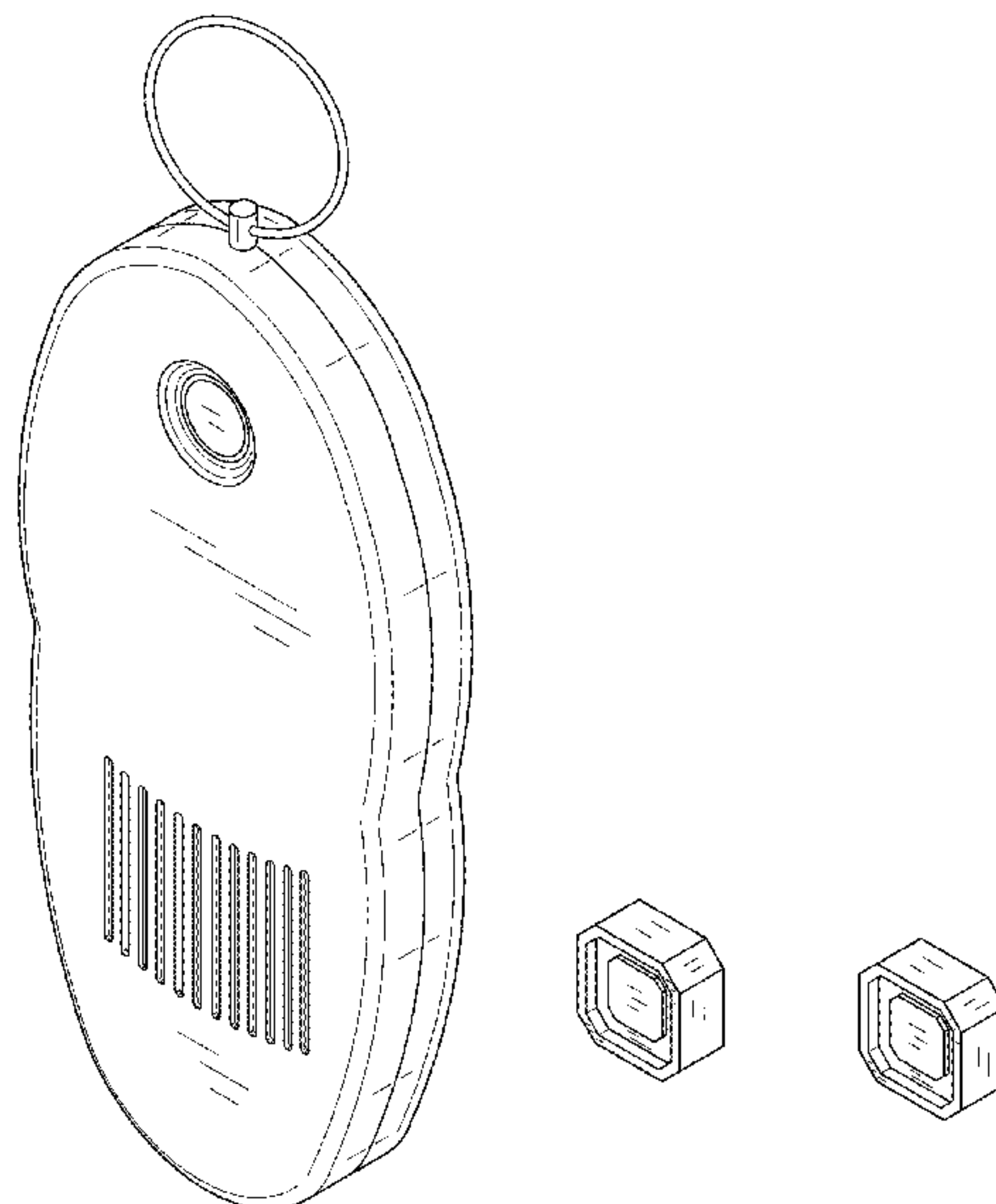
(57) **CLAIM**

The ornamental design for a vibrating vehicle occupancy monitoring fob and sensors, as shown and described.

DESCRIPTION

FIG. 1 is a front view of a vibrating vehicle occupancy monitoring fob and sensors showing my new design;
FIG. 2 is a rear view of the vibrating vehicle occupancy monitoring fob and sensors;
FIG. 3 is a left side view of the vibrating vehicle occupancy monitoring fob and sensors, a right side view being a minor image thereof;
FIG. 4 is a top view of the vibrating vehicle occupancy monitoring fob and sensors;
FIG. 5 is a bottom view of the vibrating vehicle occupancy monitoring fob and sensors; and,
FIG. 6 is a top front side perspective view of the vibrating vehicle occupancy monitoring fob and sensors.

1 Claim, 5 Drawing Sheets



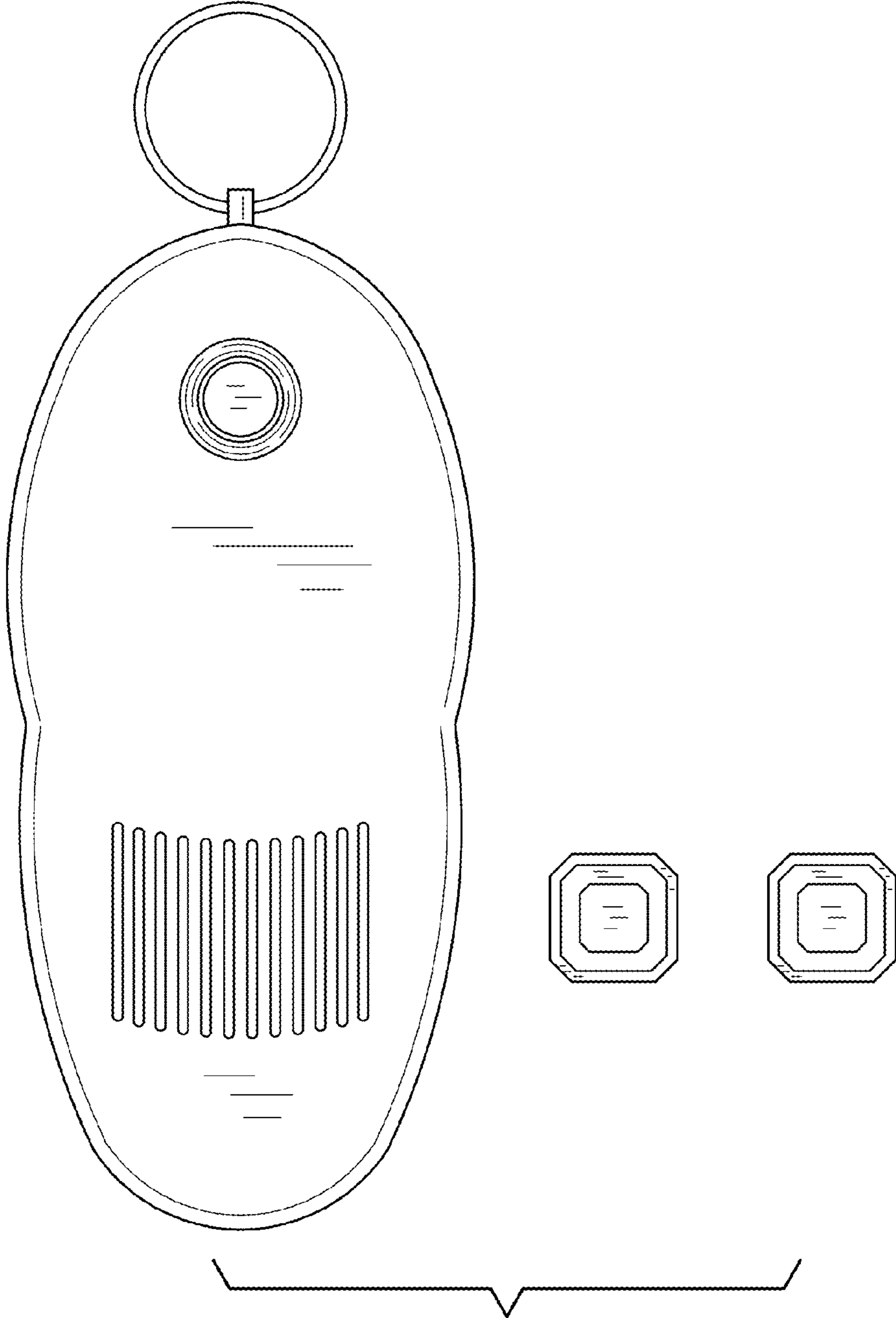


FIG. 1

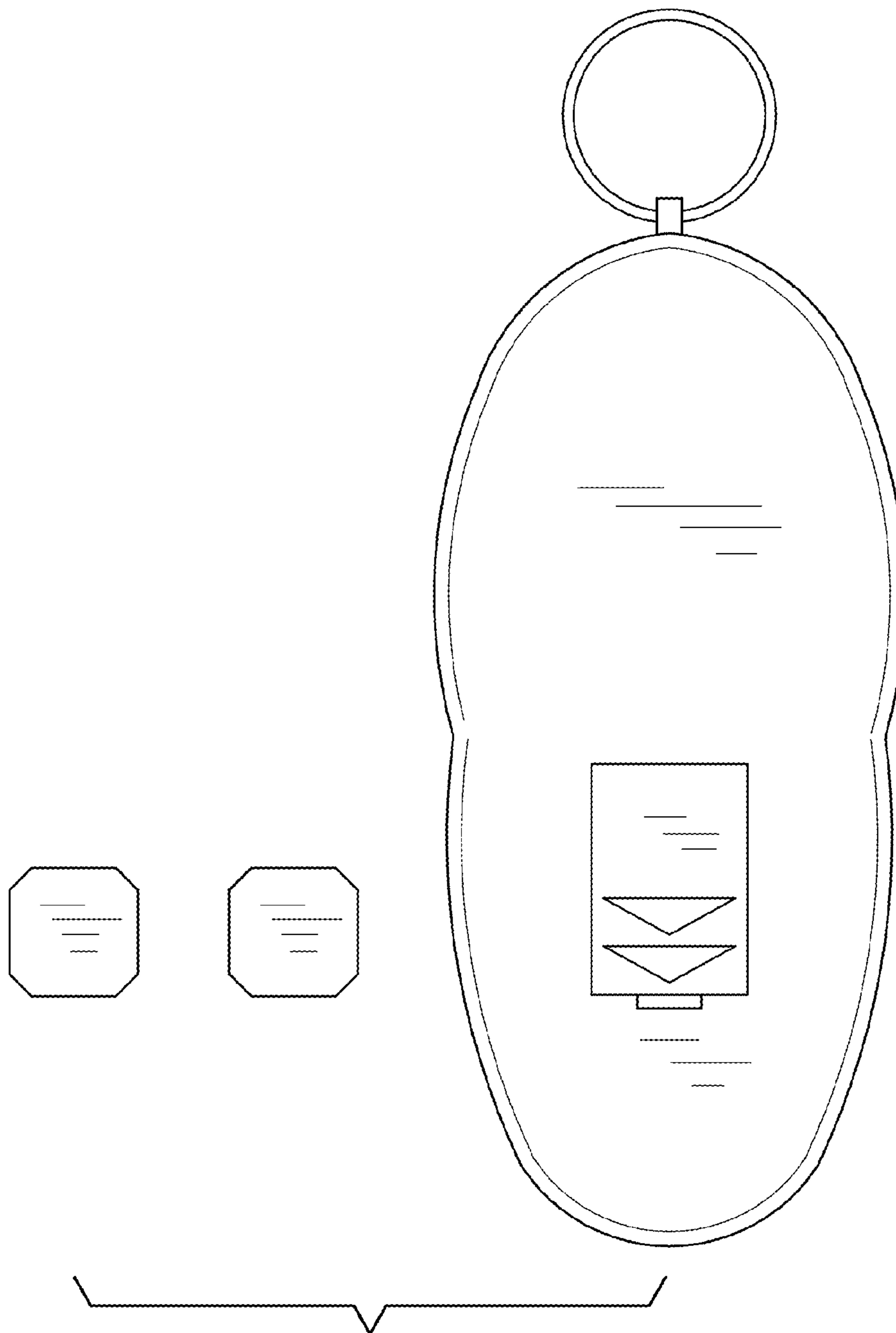


FIG. 2

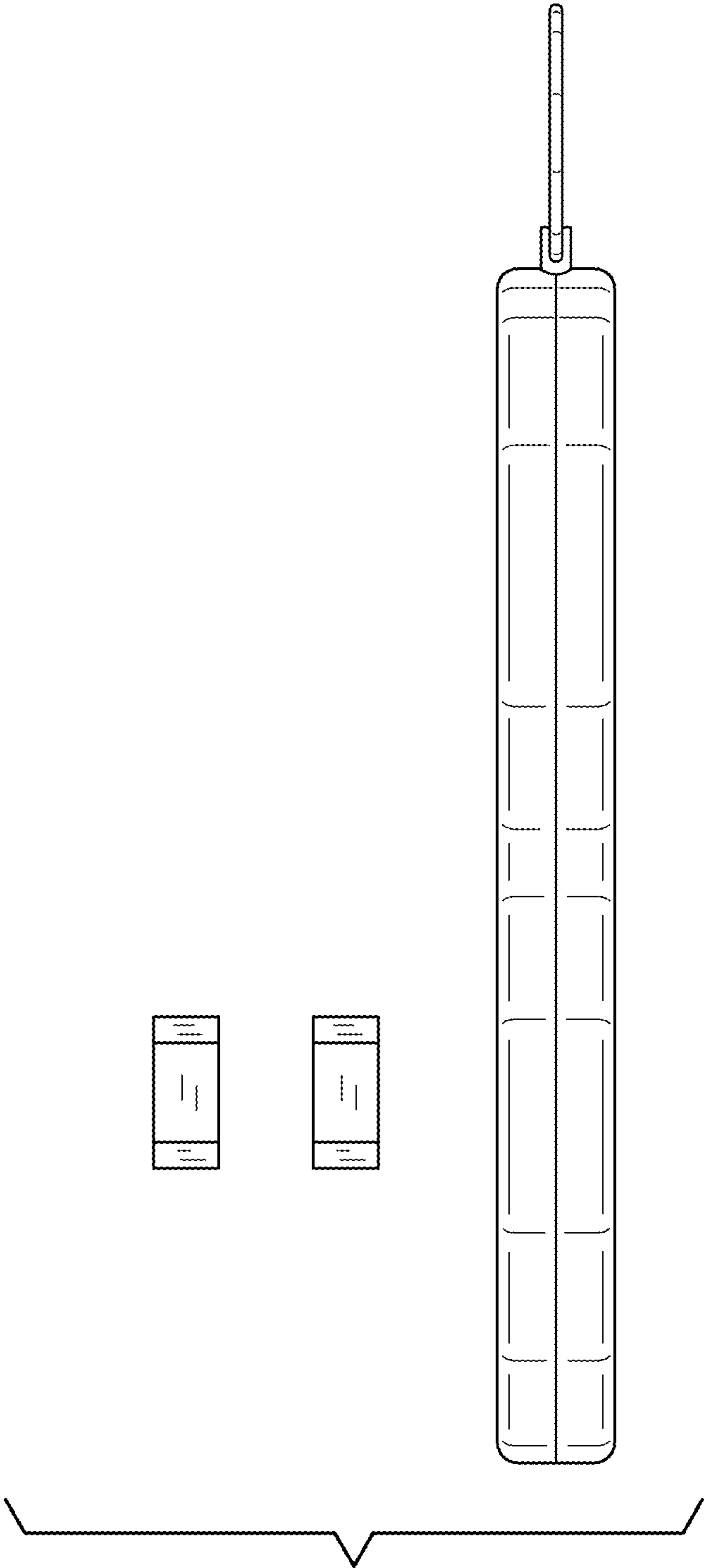


FIG. 3

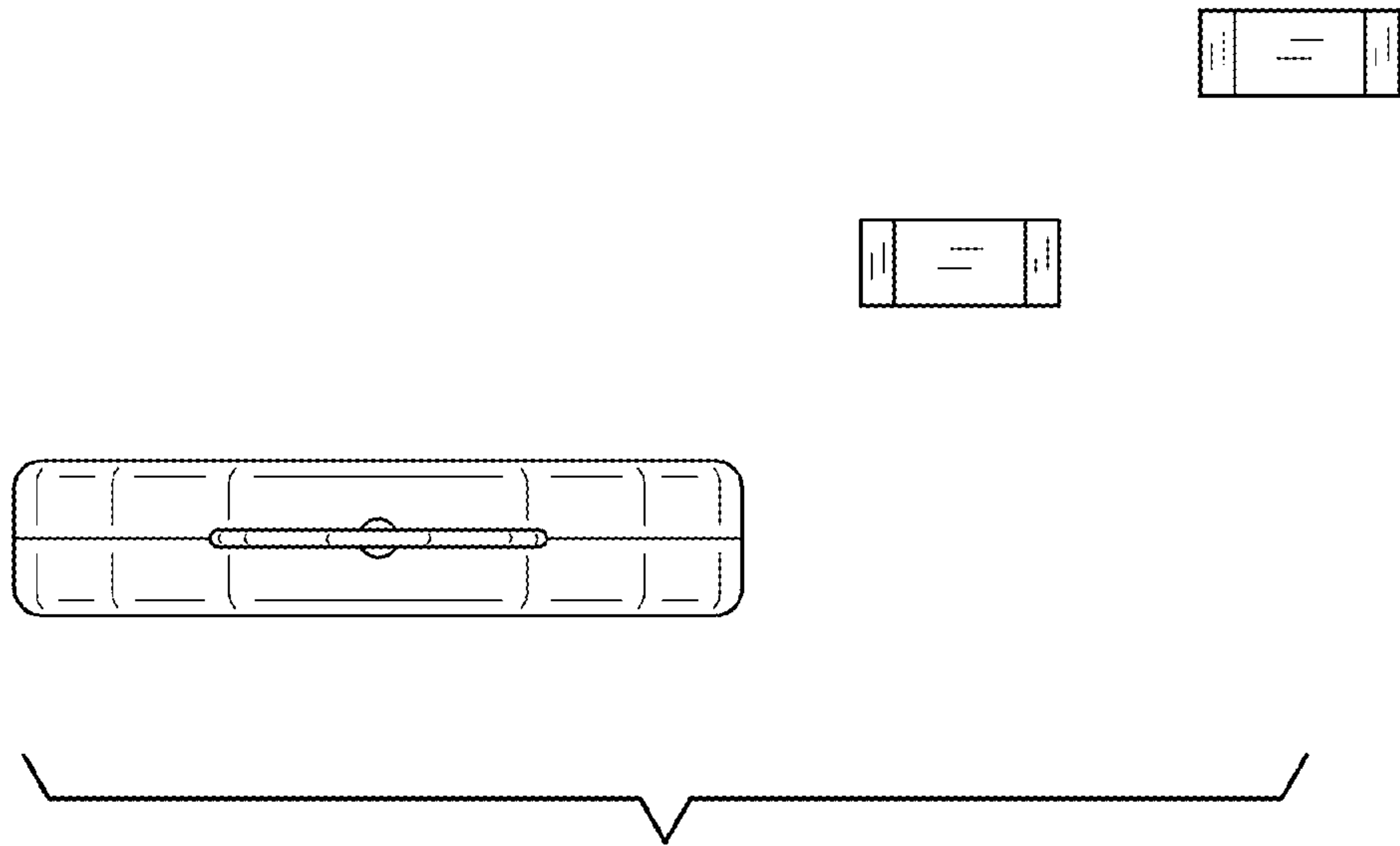


FIG. 4

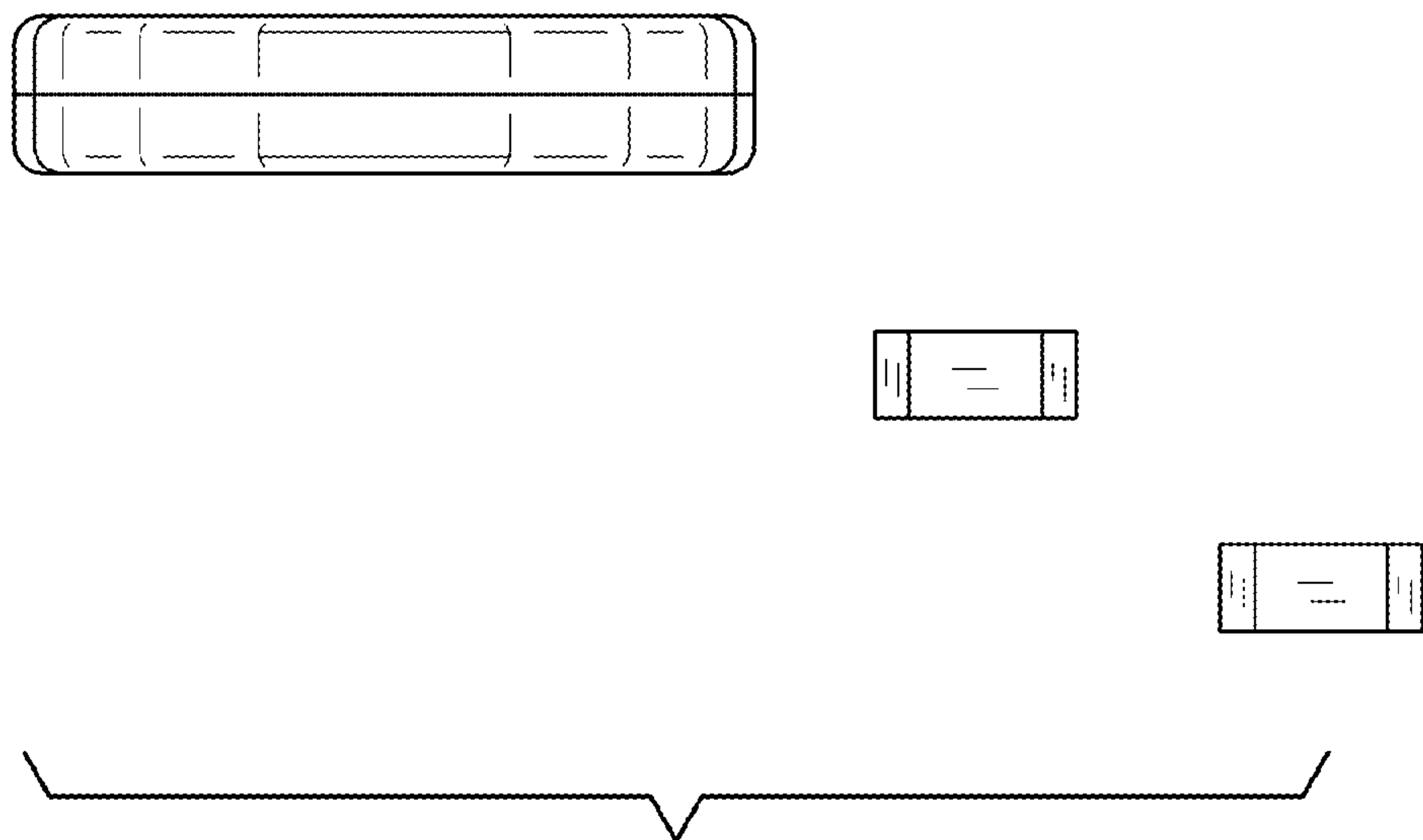


FIG. 5

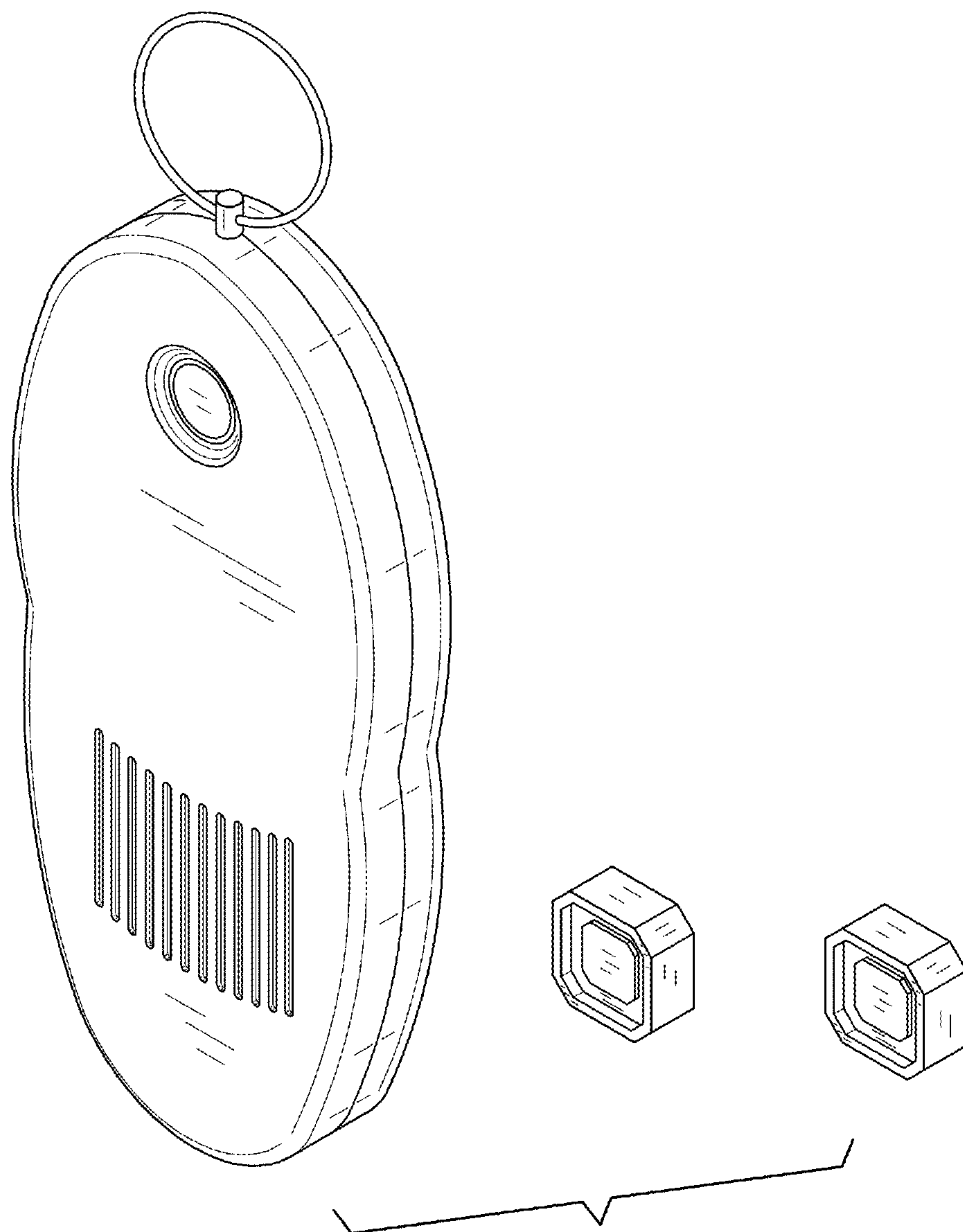


FIG. 6