



US00D762505S

(12) **United States Design Patent**  
**Schmid et al.**

(10) **Patent No.:** **US D762,505 S**

(45) **Date of Patent:** **\*\* Aug. 2, 2016**

(54) **SELF-INFLATING TIRE AIR REGULATOR**

CPC B60C 23/0408; B60C 23/0494; G01L 7/043;  
G01L 7/00-7/24; G01L 13/00-13/06; G01L  
15/00; G01L 17/00-17/005; G01L  
19/00-19/16; G01L 23/00-23/32; G01L  
27/00-23/02

(71) Applicants: **Eaton Corporation**, Cleveland, OH  
(US); **The Goodyear Tire & Rubber  
Company**, Akron, OH (US)

See application file for complete search history.

(72) Inventors: **Derek K. Schmid**, Marshall, MI (US);  
**Robert A. Dayton**, Attica, MI (US);  
**Ramakrishna Bhoga**, Pune (IN); **Sagar  
Pingale**, Pune (IN); **Ravikumar Dinni**,  
Pune (IN); **Jeff Camilleri**, Chesterfield,  
MI (US); **Brian O'Neil**, Richmond, MI  
(US); **Robert Boychuk**, Troy, MI (US)

(56) **References Cited**

U.S. PATENT DOCUMENTS

8,316,653 B2 \* 11/2012 Appler ..... F25B 45/00  
62/77

\* cited by examiner

*Primary Examiner* — Antoine D Davis

(73) Assignees: **Eaton Corporation**, Cleveland, OH  
(US); **The Goodyear Tire & Rubber  
Company**, Akron, OH (US)

(74) *Attorney, Agent, or Firm* — Dierker & Kavanaugh, P.C.

(\*\*) Term: **15 Years**

(21) Appl. No.: **29/537,015**

(57) **CLAIM**

The ornamental design for a self-inflating tire air regulator, as shown and described.

(22) Filed: **Aug. 21, 2015**

**Related U.S. Application Data**

**DESCRIPTION**

(63) Continuation of application No. 29/532,833, filed on Jul. 10, 2015, and a continuation of application No. 29/513,974, filed on Jan. 7, 2015, now Pat. No. Des. 742,768, and a continuation-in-part of application No. 29/480,495, filed on Jan. 27, 2014, now Pat. No. Des. 737,162.

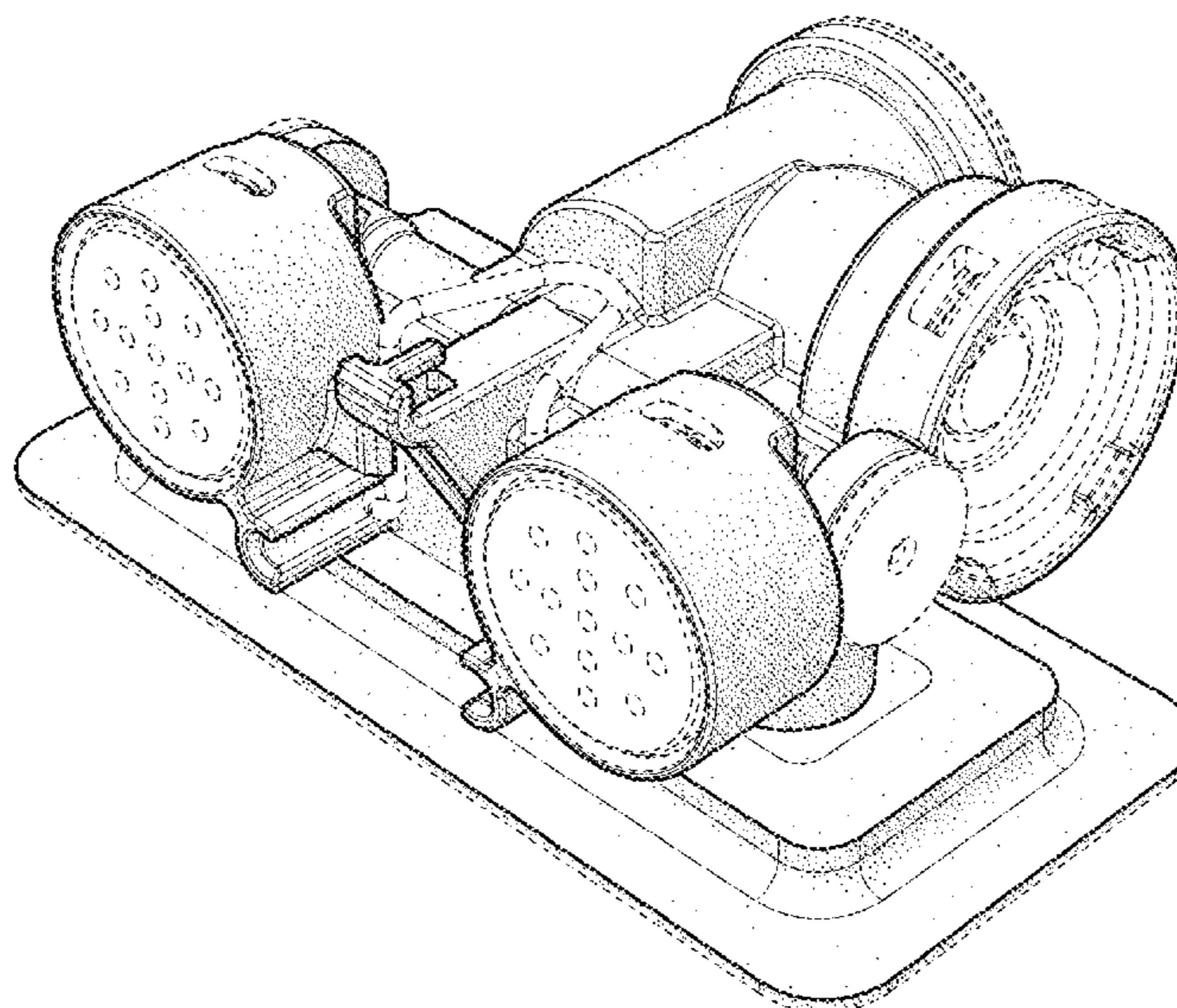
FIG. 1 is a front perspective view of an example of a self-inflating tire air regulator according to the present disclosure; FIG. 2 is a top view of the example of FIG. 1; FIG. 3 is a bottom view of the example of FIG. 1; FIG. 4 is a front view of the example of FIG. 1; FIG. 5 is a rear view of the example of FIG. 1; FIG. 6 is a right side view of the example of FIG. 1; and, FIG. 7 is a left side view of the example of FIG. 1. The dashed lines form no part of the claimed design.

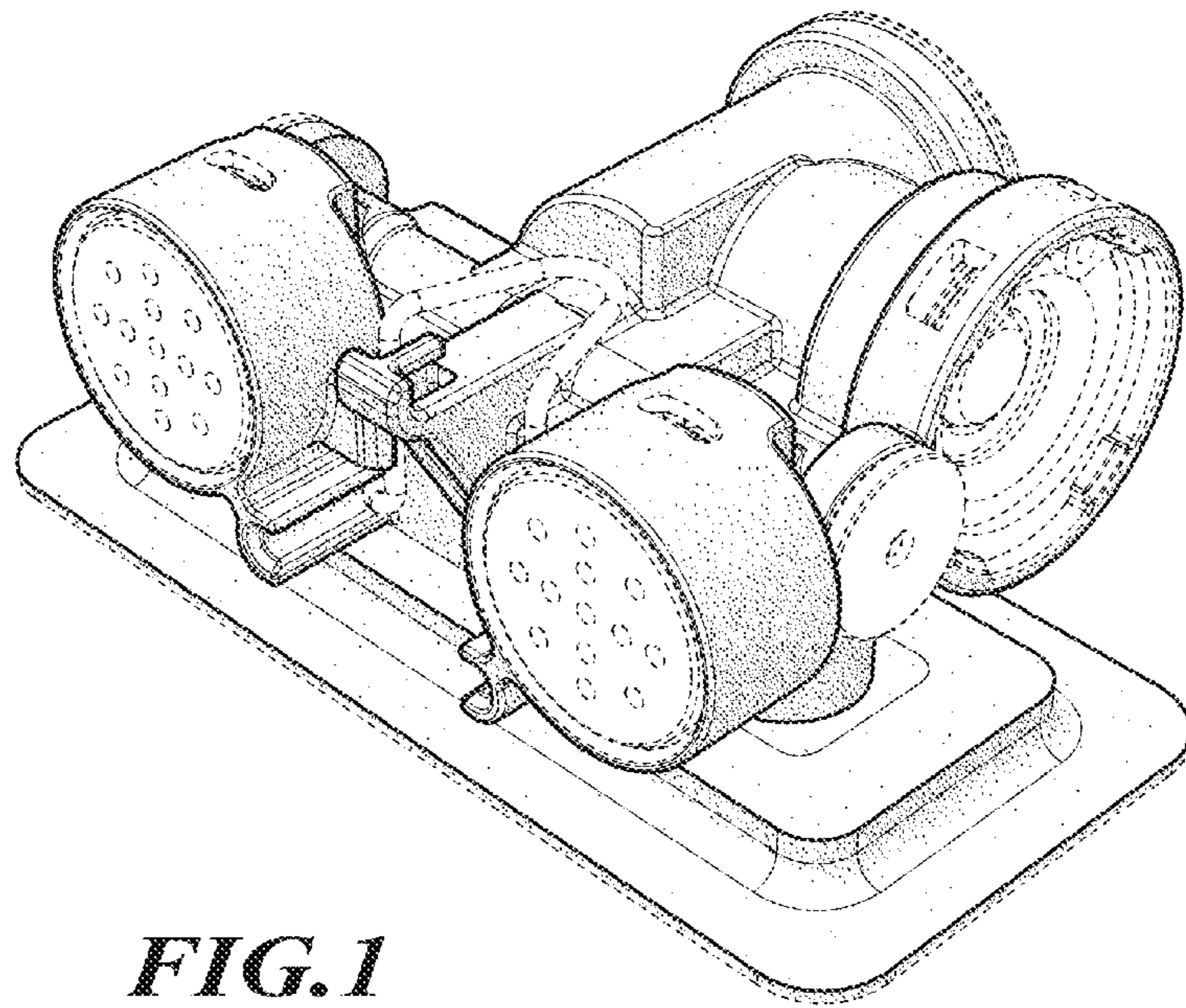
(51) **LOC (10) Cl.** ..... **10-06**

(52) **U.S. Cl.**  
USPC ..... **D10/86**

(58) **Field of Classification Search**  
USPC ..... D10/83-86

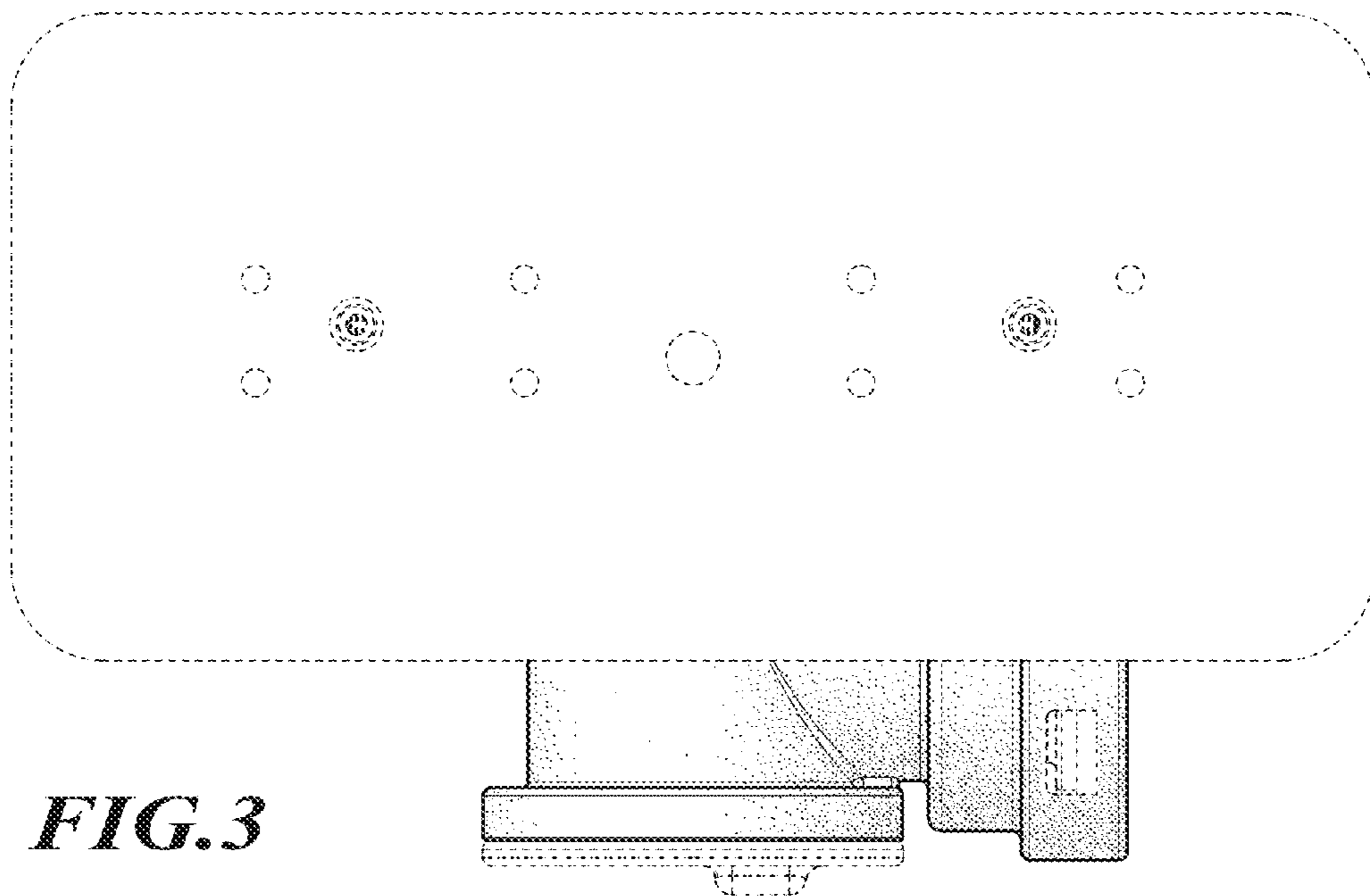
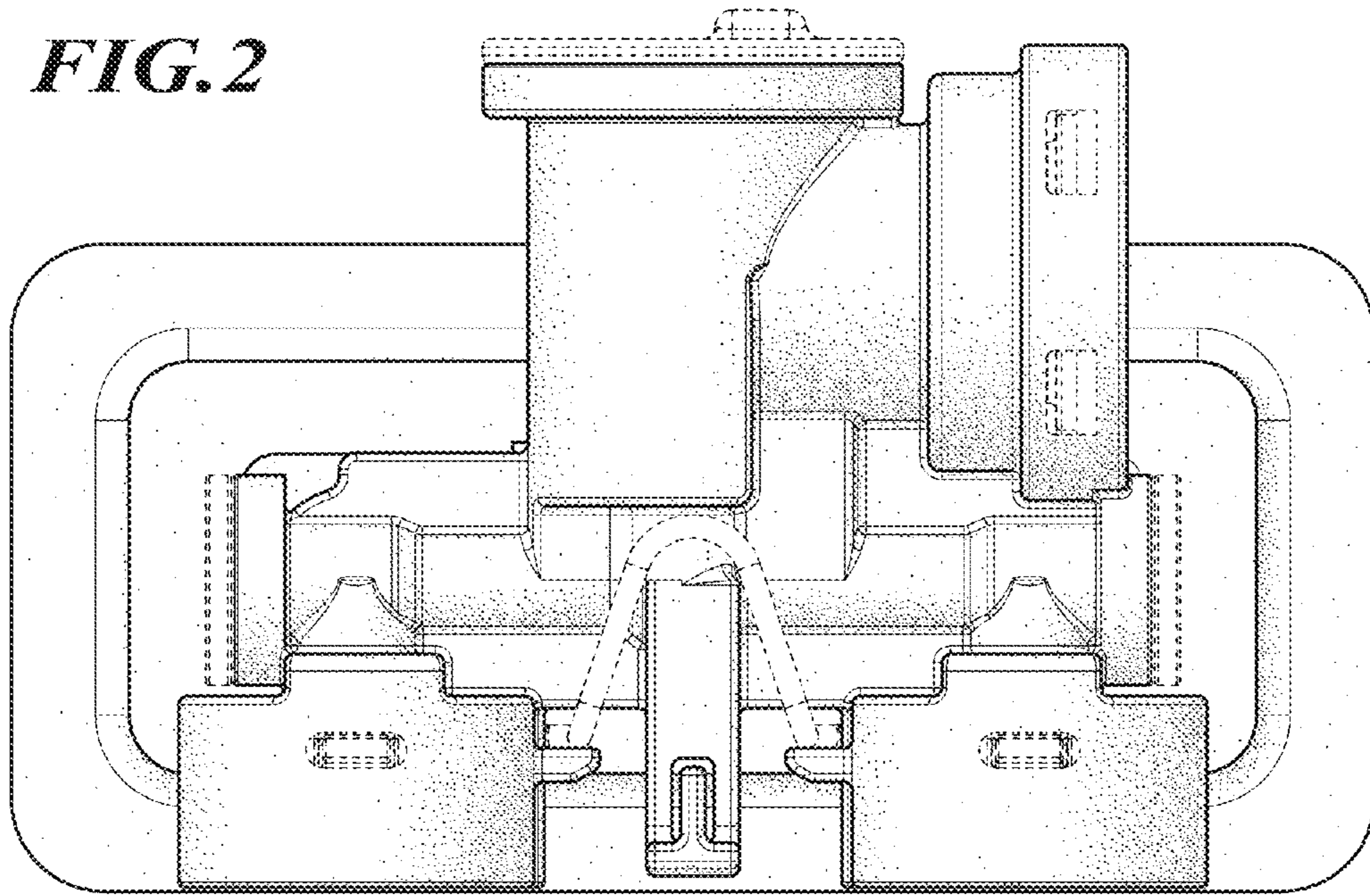
**1 Claim, 4 Drawing Sheets**



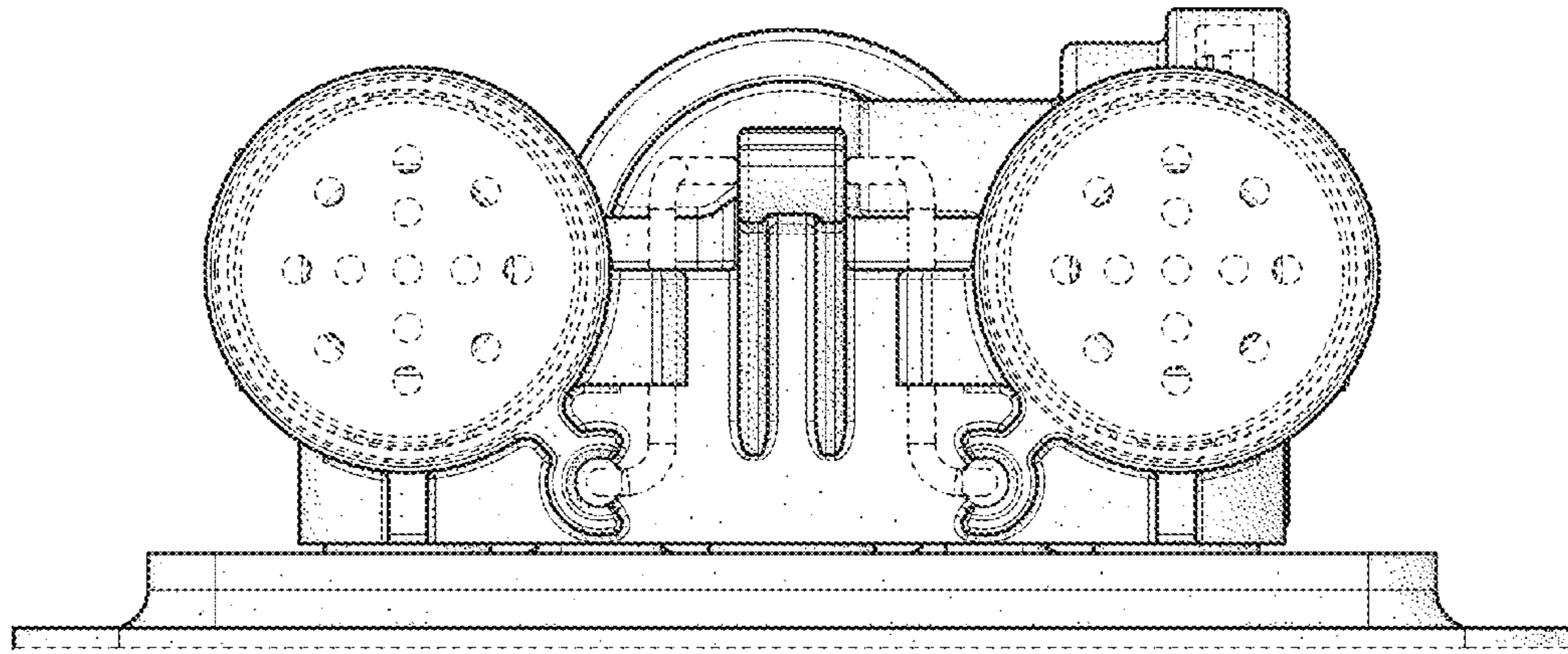


**FIG. 1**

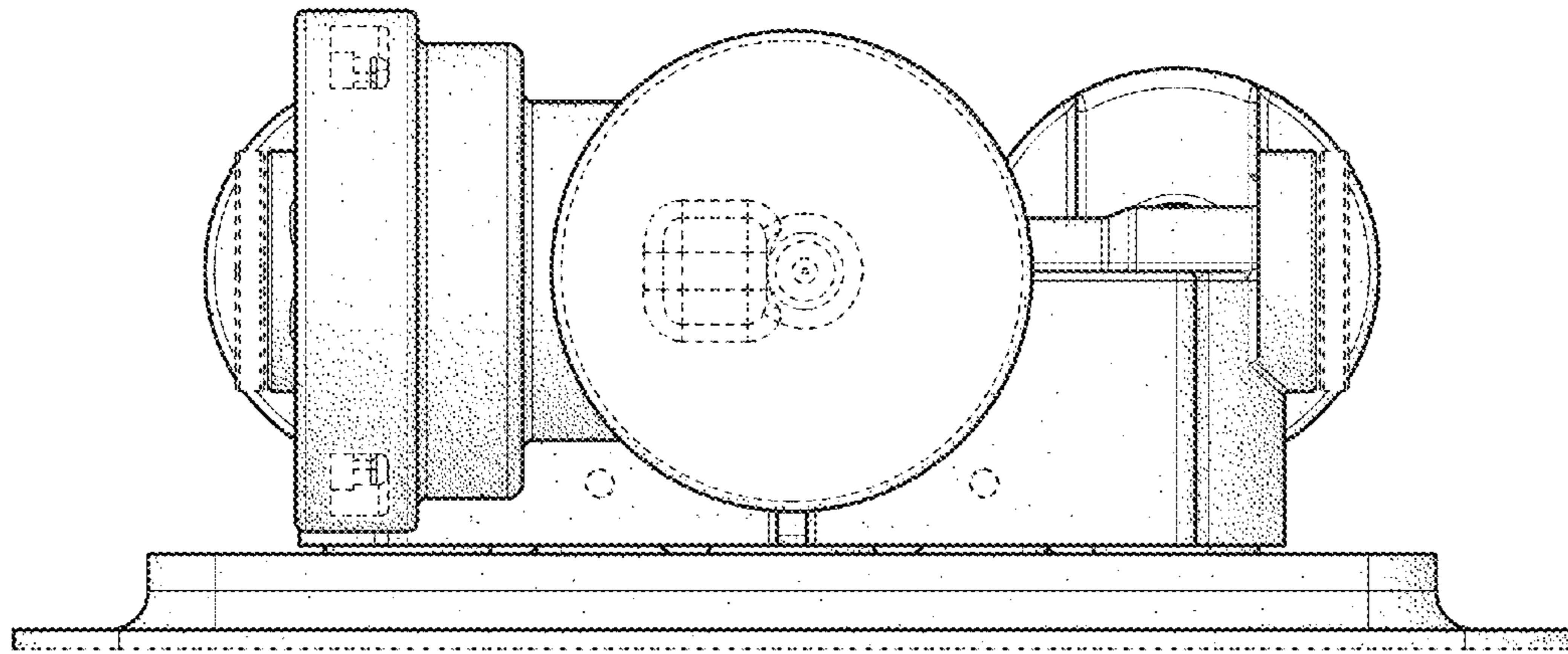
**FIG. 2**



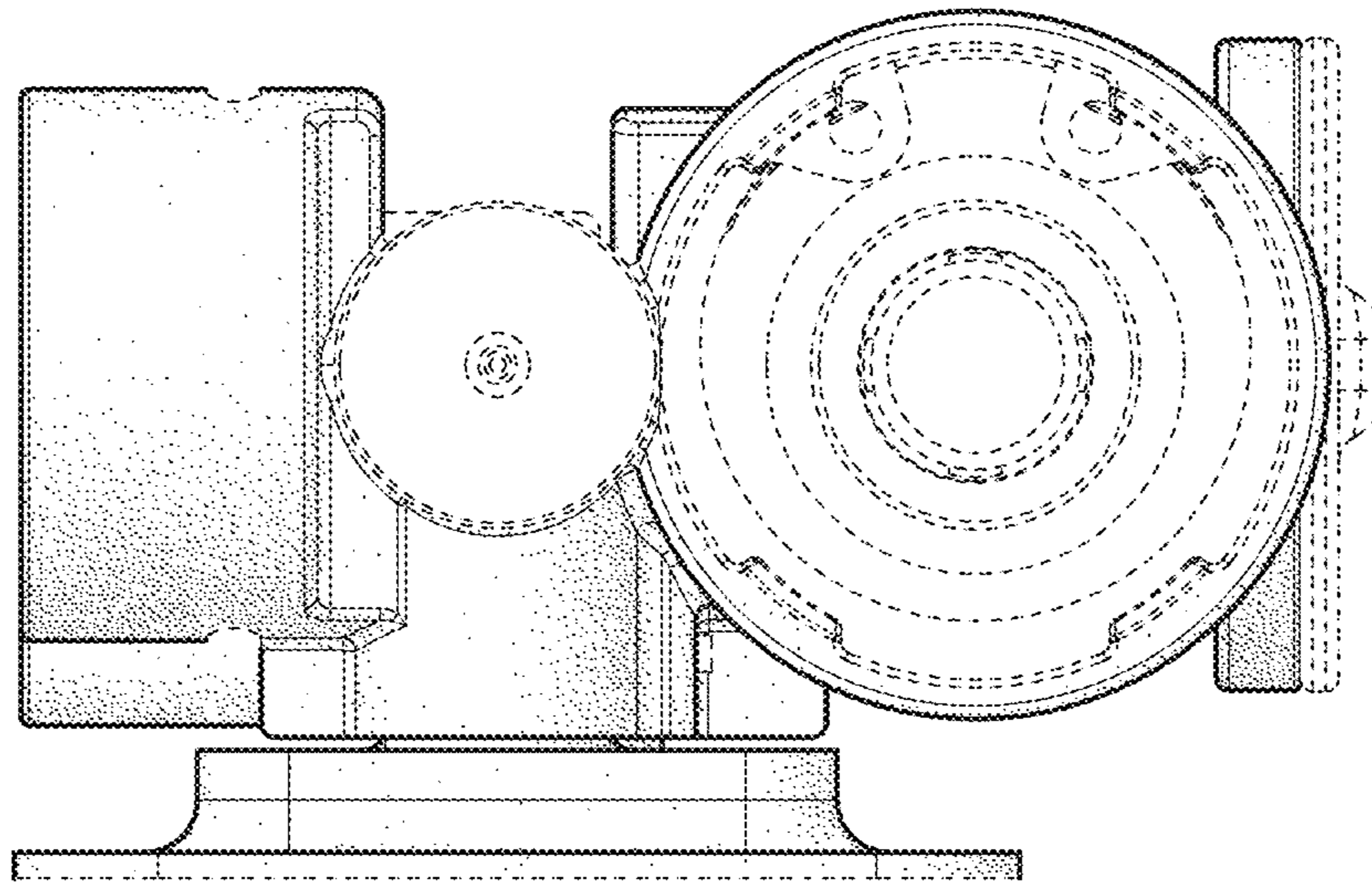
**FIG. 3**



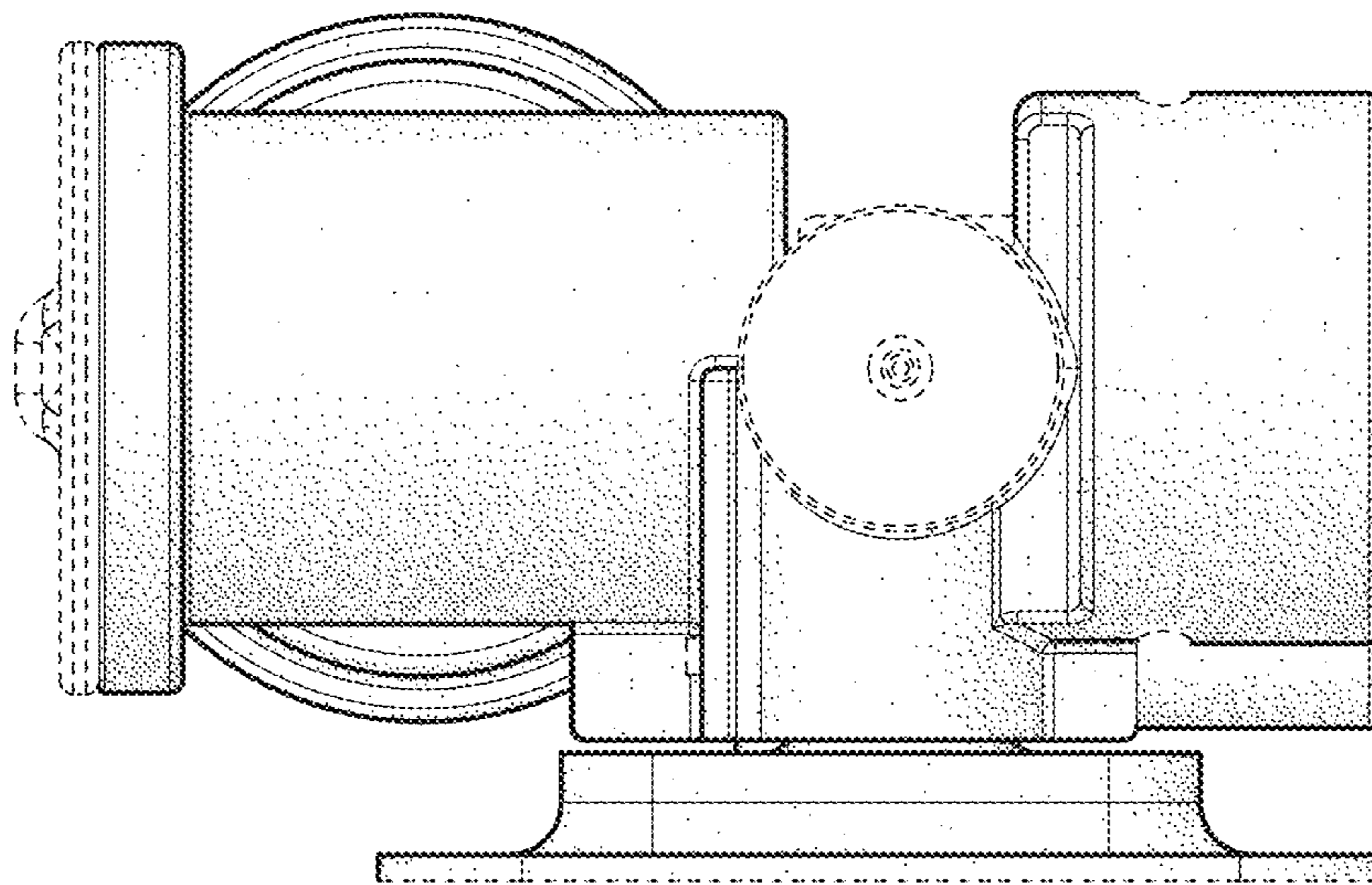
*FIG. 4*



*FIG. 5*



**FIG. 6**



**FIG. 7**