



US00D762504S

(12) **United States Design Patent**
Senba et al.

(10) **Patent No.:** **US D762,504 S**
(45) **Date of Patent:** **** Aug. 2, 2016**

(54) **LASER EMITTER FOR GAS ANALYZER**

(71) Applicant: **YOKOGAWA ELECTRIC CORPORATION**, Musashino-shi, Tokyo (JP)

(72) Inventors: **Noriaki Senba**, Musashino (JP); **Naoto Takano**, Musashino (JP); **Toshiki Miyasaka**, Musashino (JP)

(73) Assignee: **YOKOGAWA ELECTRIC CORPORATION**, Tokyo (JP)

(**) Term: **14 Years**

(21) Appl. No.: **29/524,320**

(22) Filed: **Apr. 20, 2015**

(30) **Foreign Application Priority Data**

Nov. 21, 2014 (JP) 2014-026096

(51) **LOC (10) Cl.** **10-04**

(52) **U.S. Cl.**
USPC **D10/81; D10/96**

(58) **Field of Classification Search**
USPC D10/70, 81, 96
CPC ... G01N 21/25; G01N 21/251; G01N 21/253;
G01N 21/255; G01N 21/256; G01N 2021/258;
G01N 21/27; G01N 21/272; G01N 21/274;
G01N 21/276; G01N 21/278; G01N 21/29;
G01N 21/293; G01N 2021/296; G01N 21/31;
G01N 21/3103

See application file for complete search history.

(56) **References Cited**

U.S. PATENT DOCUMENTS

5,797,389 A * 8/1998 Ryder A61M 11/06
128/200.21

5,912,734 A * 6/1999 Beck G01B 11/27
356/301
8,482,735 B2 * 7/2013 Okada G01N 21/39
356/437
8,500,442 B2 * 8/2013 Knittel F23N 5/003
356/437
2006/0038969 A1 * 2/2006 Baselmans G03F 7/70383
355/53
2013/0215412 A1 * 8/2013 Wynn G01N 21/05
356/51

* cited by examiner

Primary Examiner — Antoine D Davis

(74) *Attorney, Agent, or Firm* — Sughrue Mion, PLLC

(57) **CLAIM**

The ornamental design for a laser emitter for gas analyzer, as shown and described.

DESCRIPTION

FIG. 1 is a top, rear, right side perspective view of a laser emitter for gas analyzer showing our new design;
FIG. 2 is a top, rear, left side perspective view thereof;
FIG. 3 is a front view thereof;
FIG. 4 is a rear view thereof;
FIG. 5 is a left side view thereof;
FIG. 6 is a right side view thereof;
FIG. 7 is a top view thereof;
FIG. 8 is a bottom view thereof; and,
FIG. 9 is a view of usage thereof.
The broken lines shown are included for the purpose of illustrating the unclaimed portions of the laser emitter for gas analyzer and form no part of the claimed design.

1 Claim, 9 Drawing Sheets

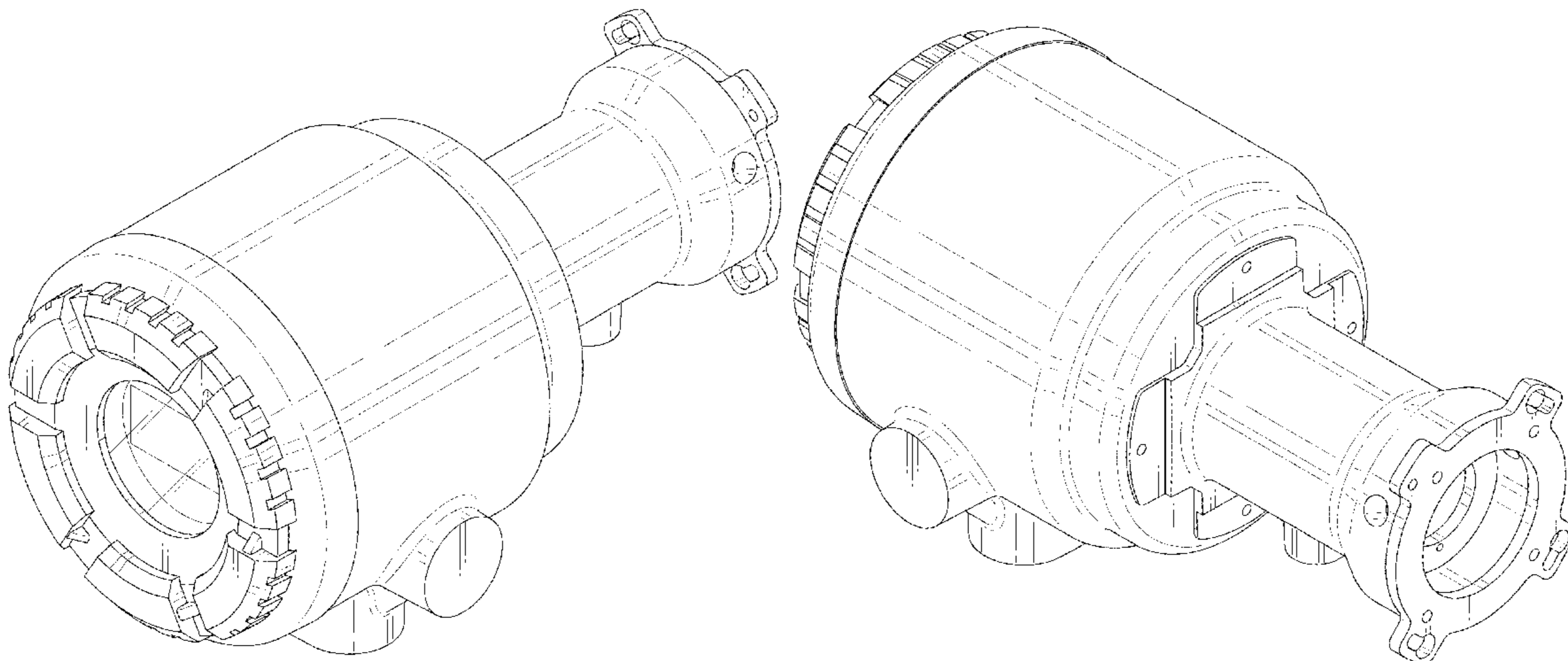


Fig. 1

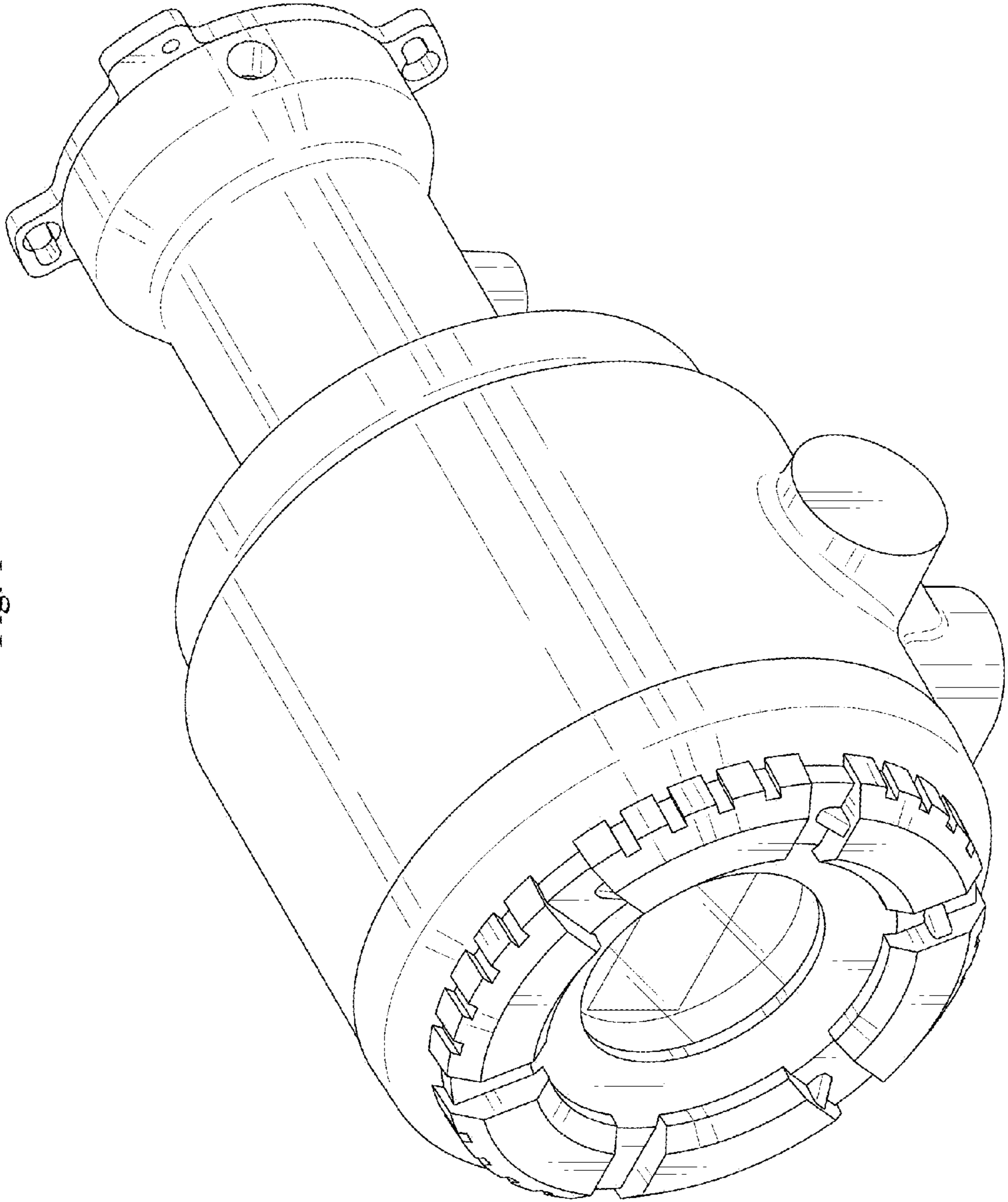


Fig. 2

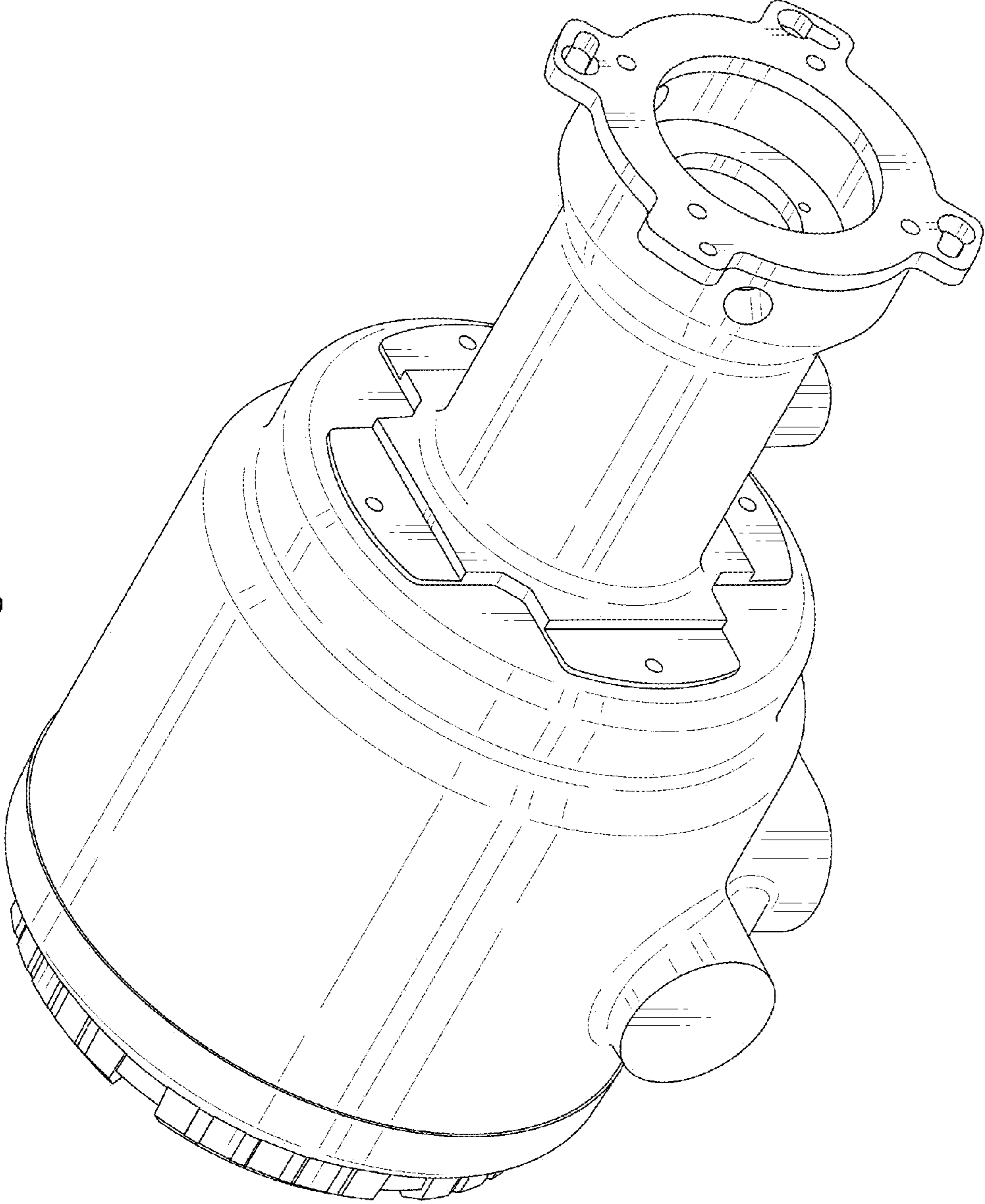


Fig. 3

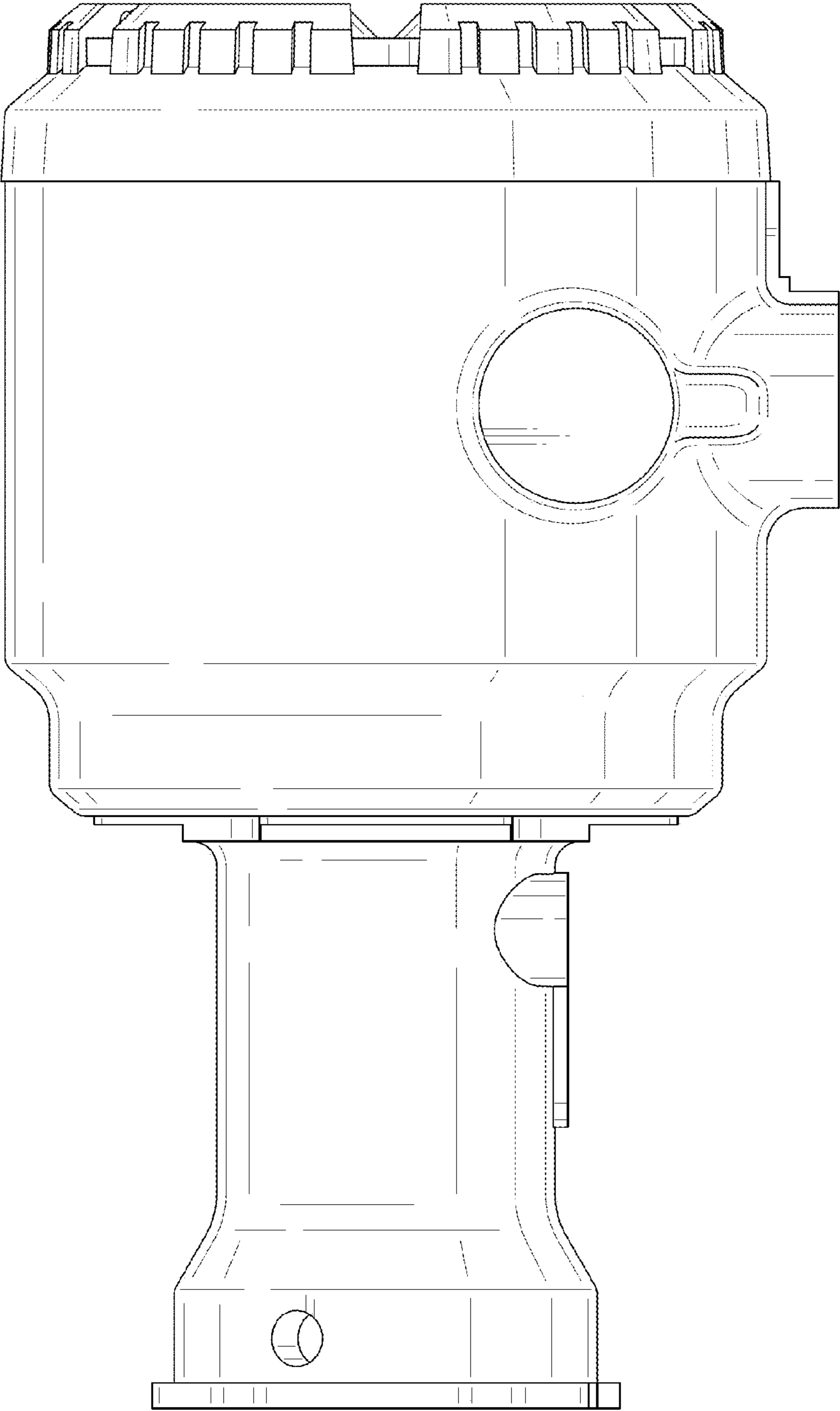


Fig. 4

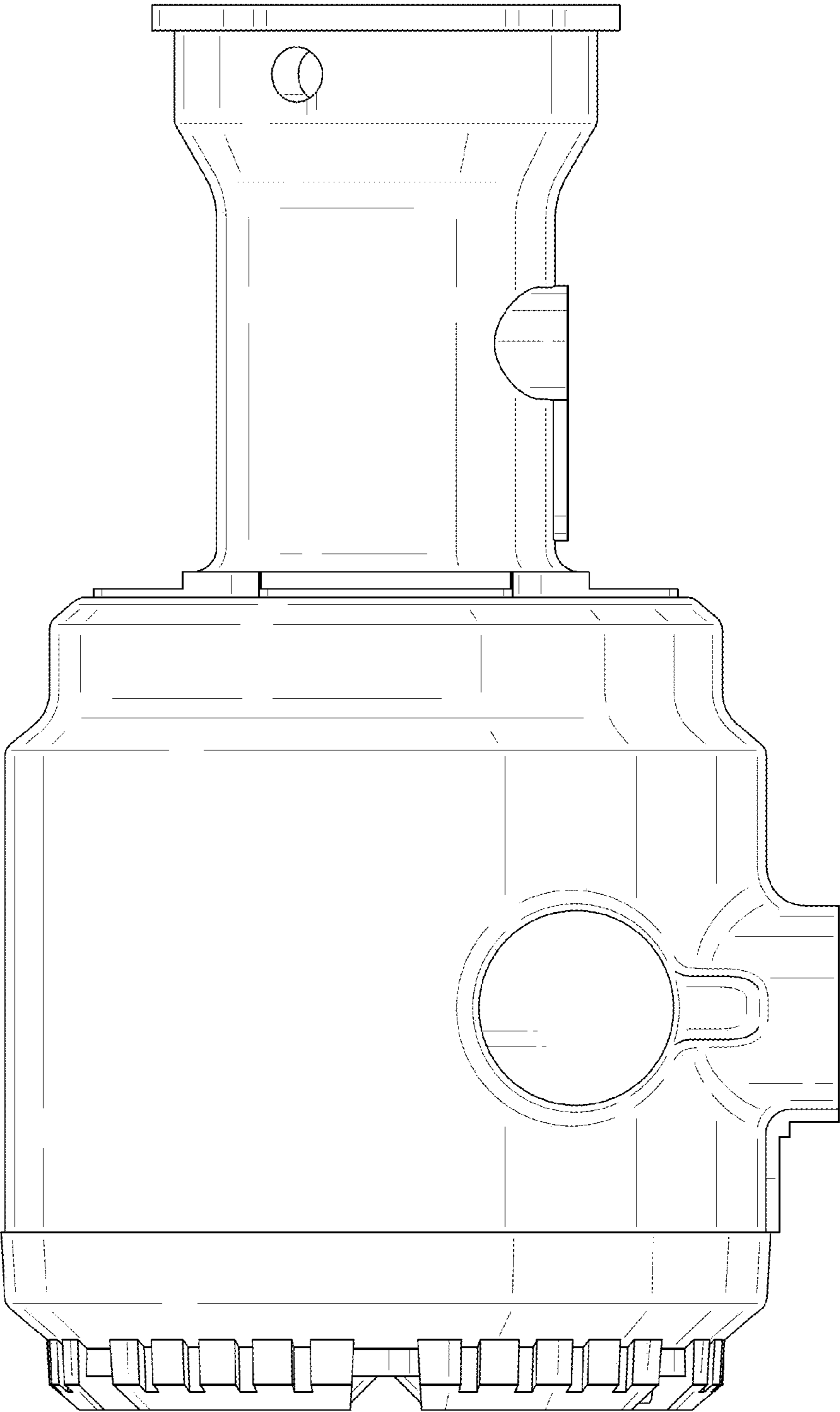


Fig. 5

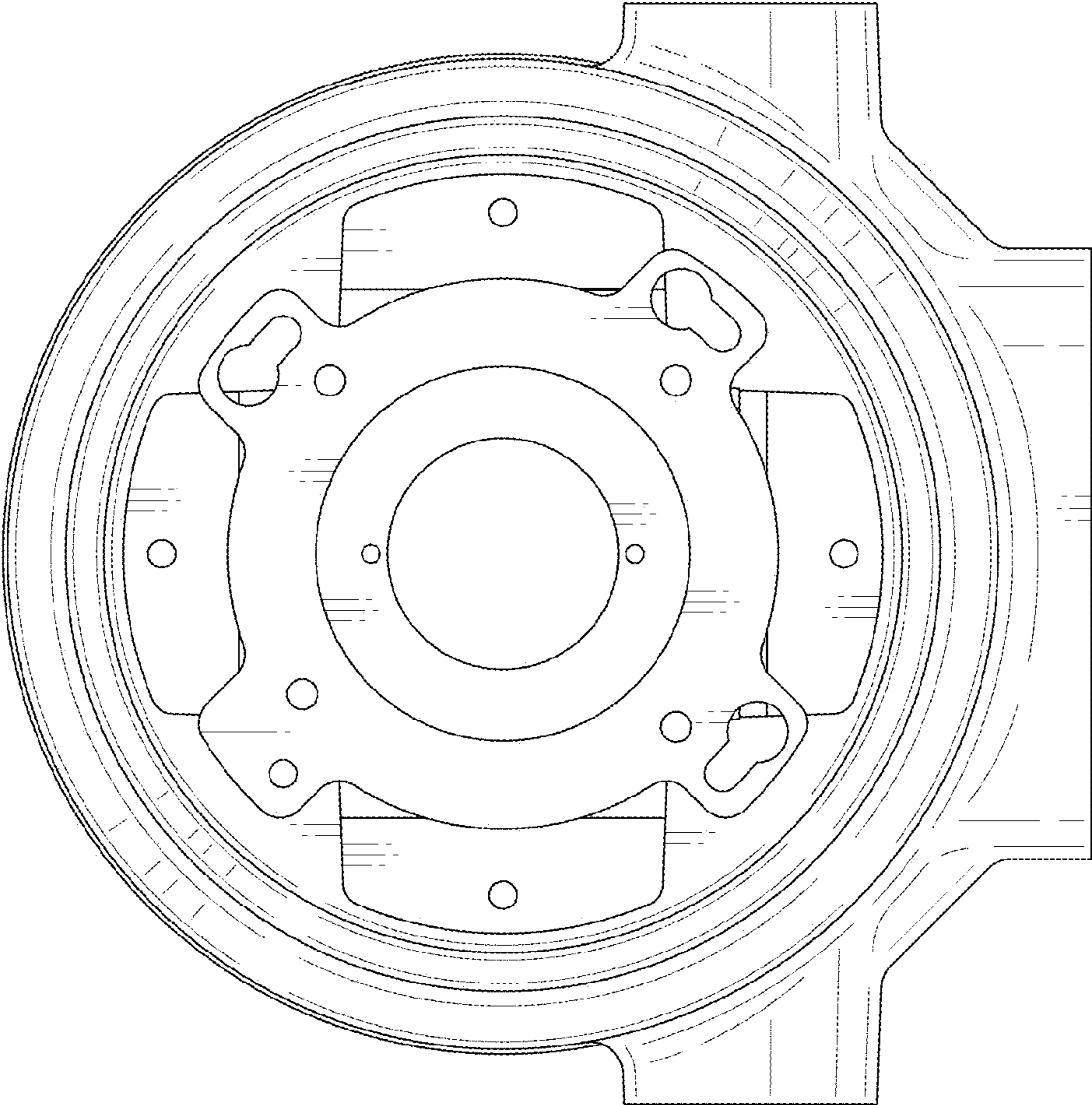


Fig. 6

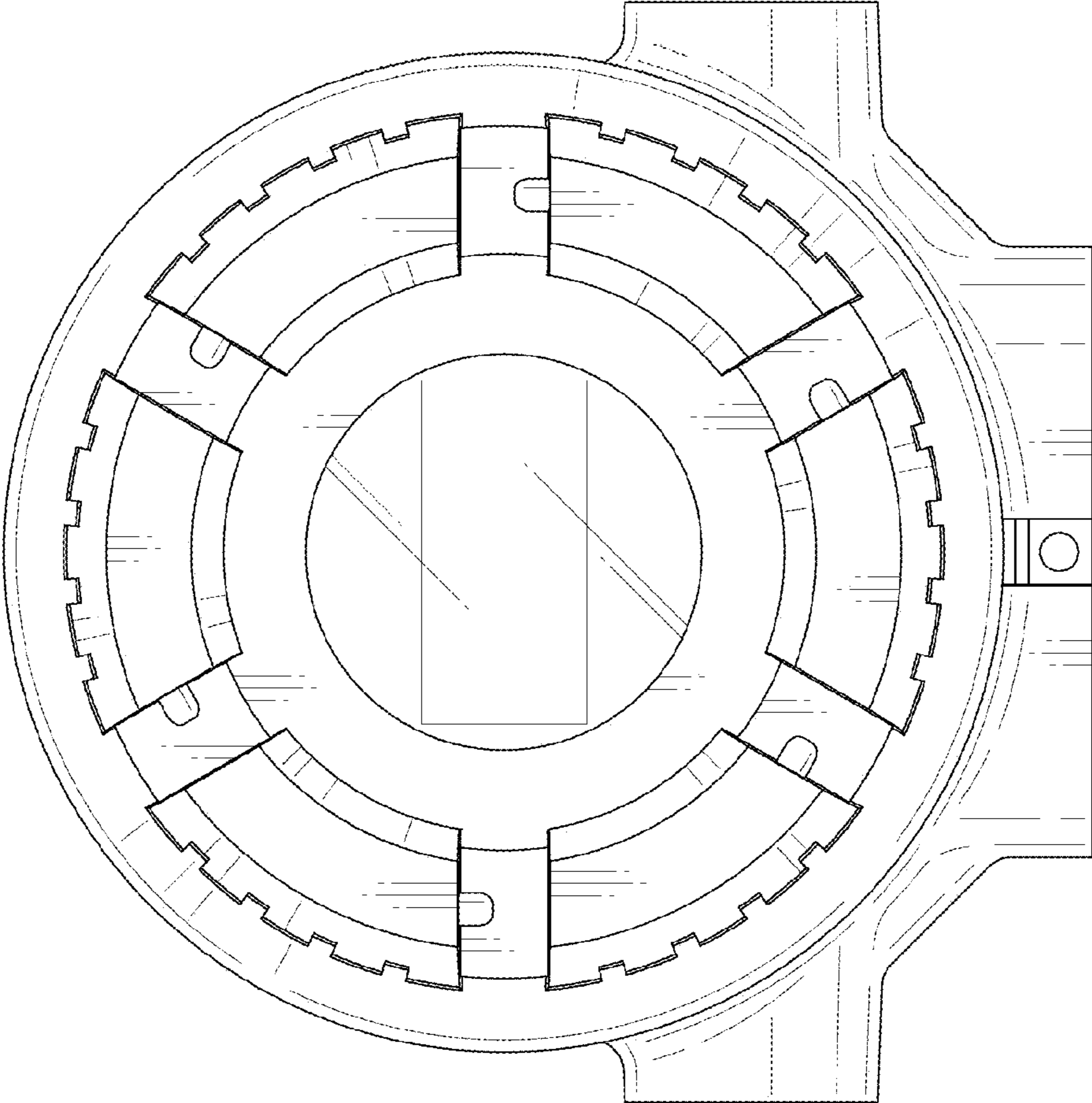
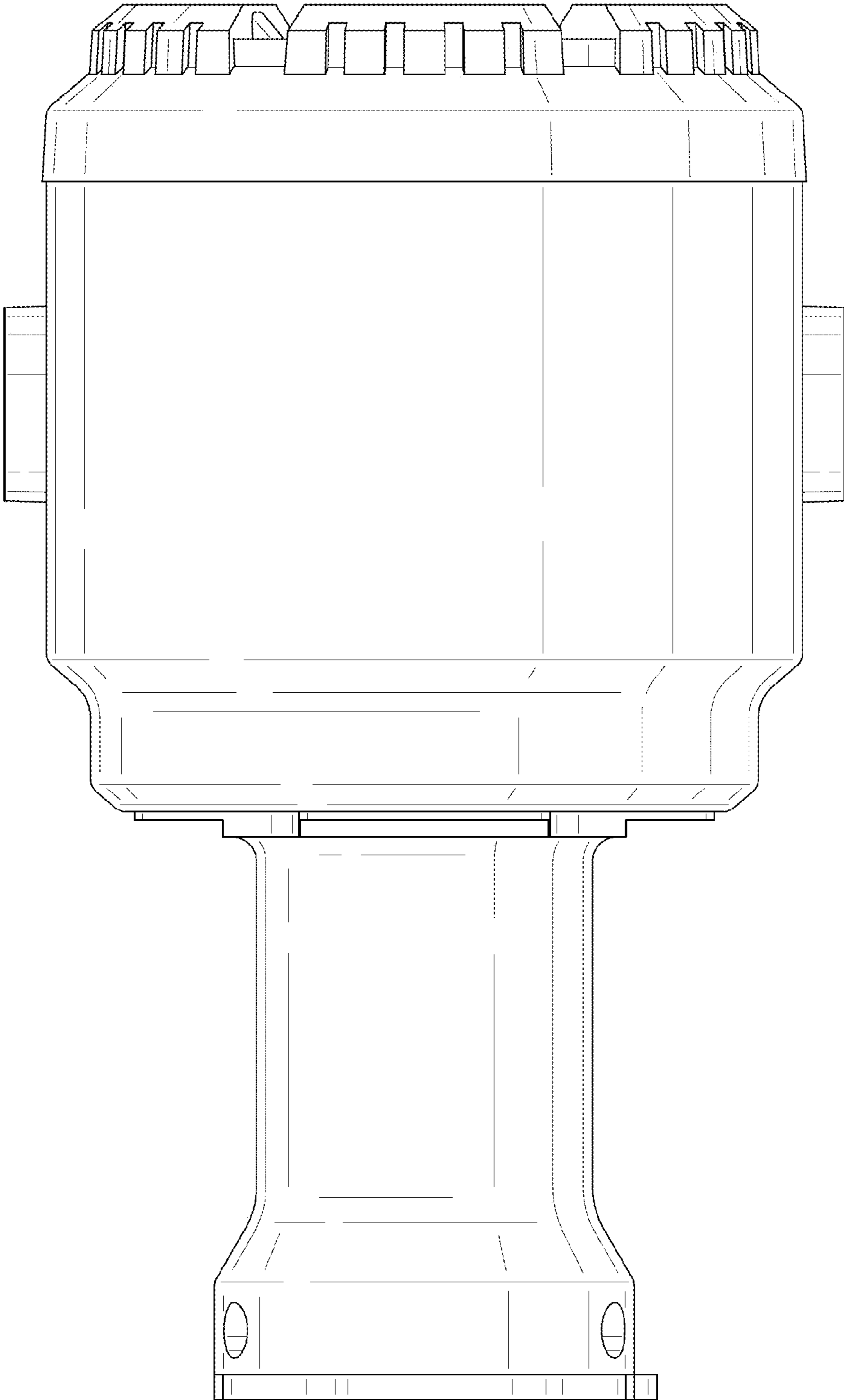


Fig. 7



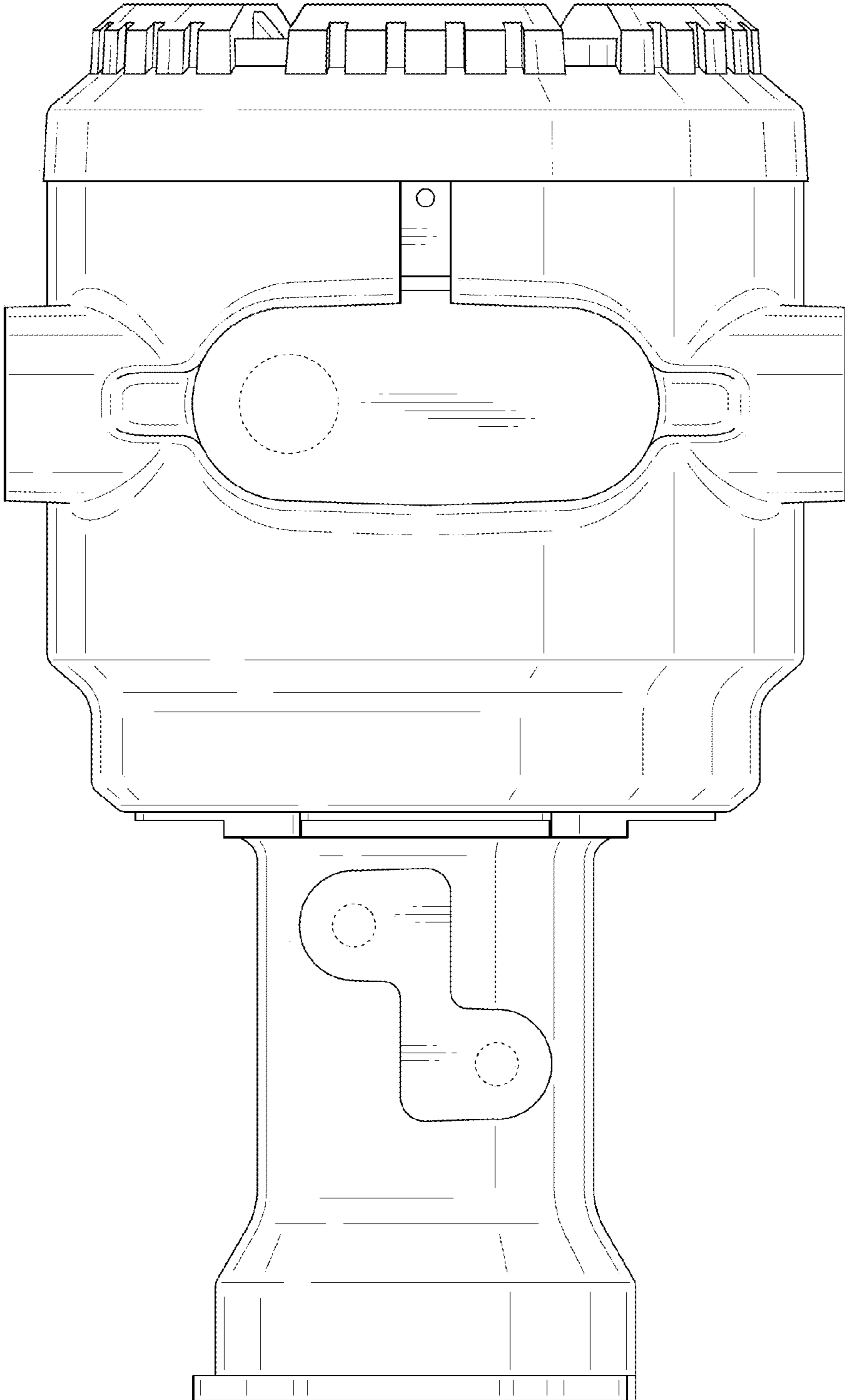


Fig. 8

Fig. 9

