



US00D762503S

(12) **United States Design Patent**
Halbheer

(10) **Patent No.:** **US D762,503 S**
(45) **Date of Patent:** **** Aug. 2, 2016**

(54) **DENSITY MONITOR**
(71) Applicant: **Trafag AG**, Bubikon (CH)
(72) Inventor: **Remo Halbheer**, Hinwil (CH)
(73) Assignee: **Trafag AG**, Bubikon (CH)
(**) Term: **14 Years**
(21) Appl. No.: **29/514,718**

Primary Examiner — Antoine D Davis
(74) *Attorney, Agent, or Firm* — Global IP Counselors, LLP

(22) Filed: **Jan. 15, 2015**
(51) **LOC (10) Cl.** **10-04**
(52) **U.S. Cl.**
USPC **D10/81**
(58) **Field of Classification Search**
USPC D10/81
See application file for complete search history.

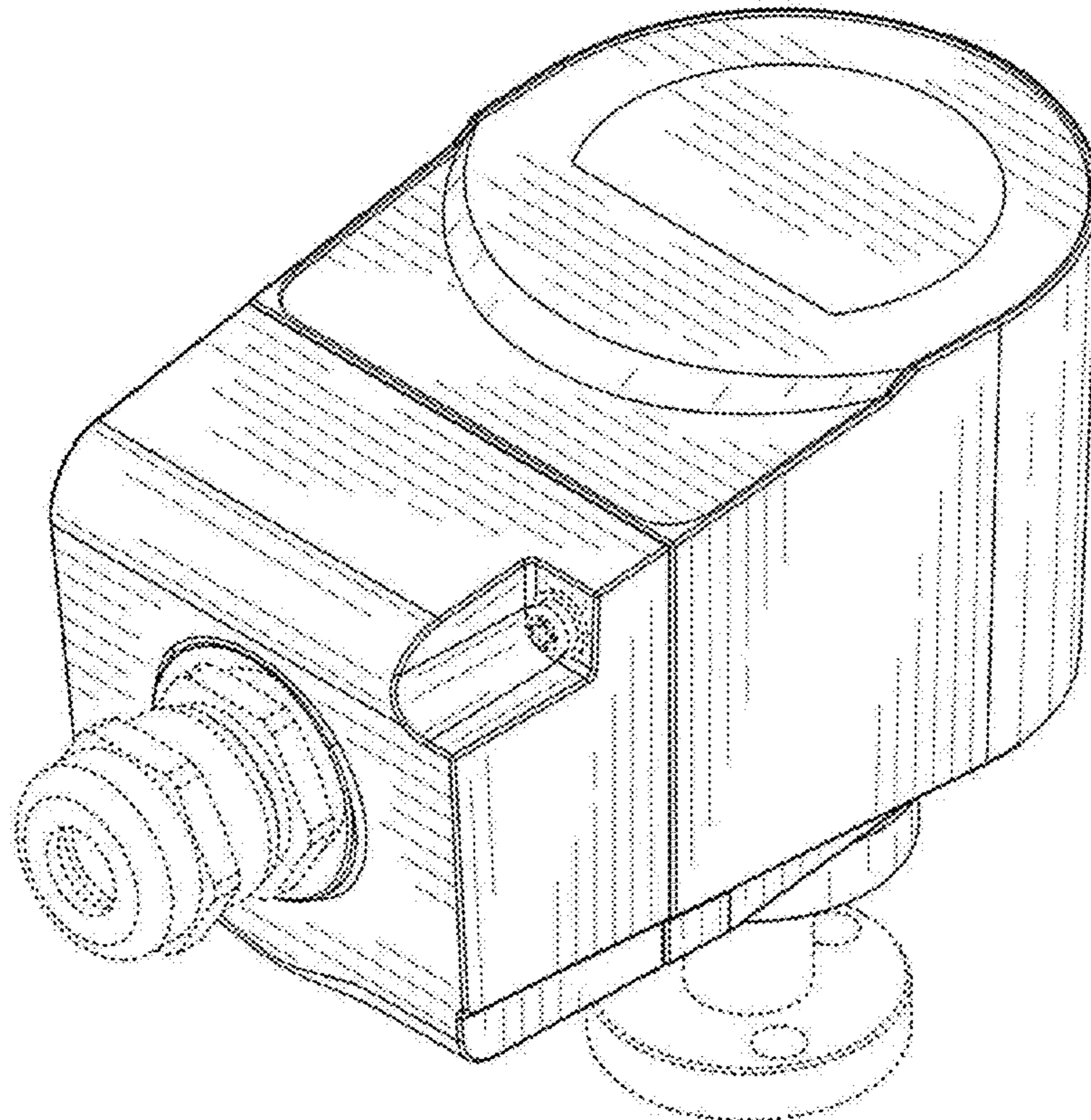
(57) **CLAIM**
The ornamental design for a density monitor, as shown and described.

(56) **References Cited**
U.S. PATENT DOCUMENTS
4,167,770 A * 9/1979 Graybill H02B 13/0356
174/13
5,388,451 A * 2/1995 Stendin H02H 7/22
218/43
6,263,914 B1 * 7/2001 Meyer G01N 9/266
137/377
6,651,483 B1 * 11/2003 Meyer G01N 9/266
137/382

DESCRIPTION
FIG. 1 is a perspective view showing an ornamental design of a density monitor of a disclosed embodiment;
FIG. 2 is a side elevational view of the ornamental design of the density monitor shown in FIG. 1;
FIG. 3 is a top plan view of the ornamental design of the density monitor shown in FIG. 1;
FIG. 4 is a bottom plan view of the ornamental design of the density monitor shown in FIG. 1;
FIG. 5 is a front elevational view of the ornamental design of the density monitor shown in FIG. 1; and,
FIG. 6 is a rear elevational view of the ornamental design of the density monitor shown in FIG. 1.
The broken line illustrations (e.g., the base, the screws, the front connector, the rear label and parts of the base) in the drawings are for illustrative purposes only and form no part of the claimed design.

* cited by examiner

1 Claim, 6 Drawing Sheets



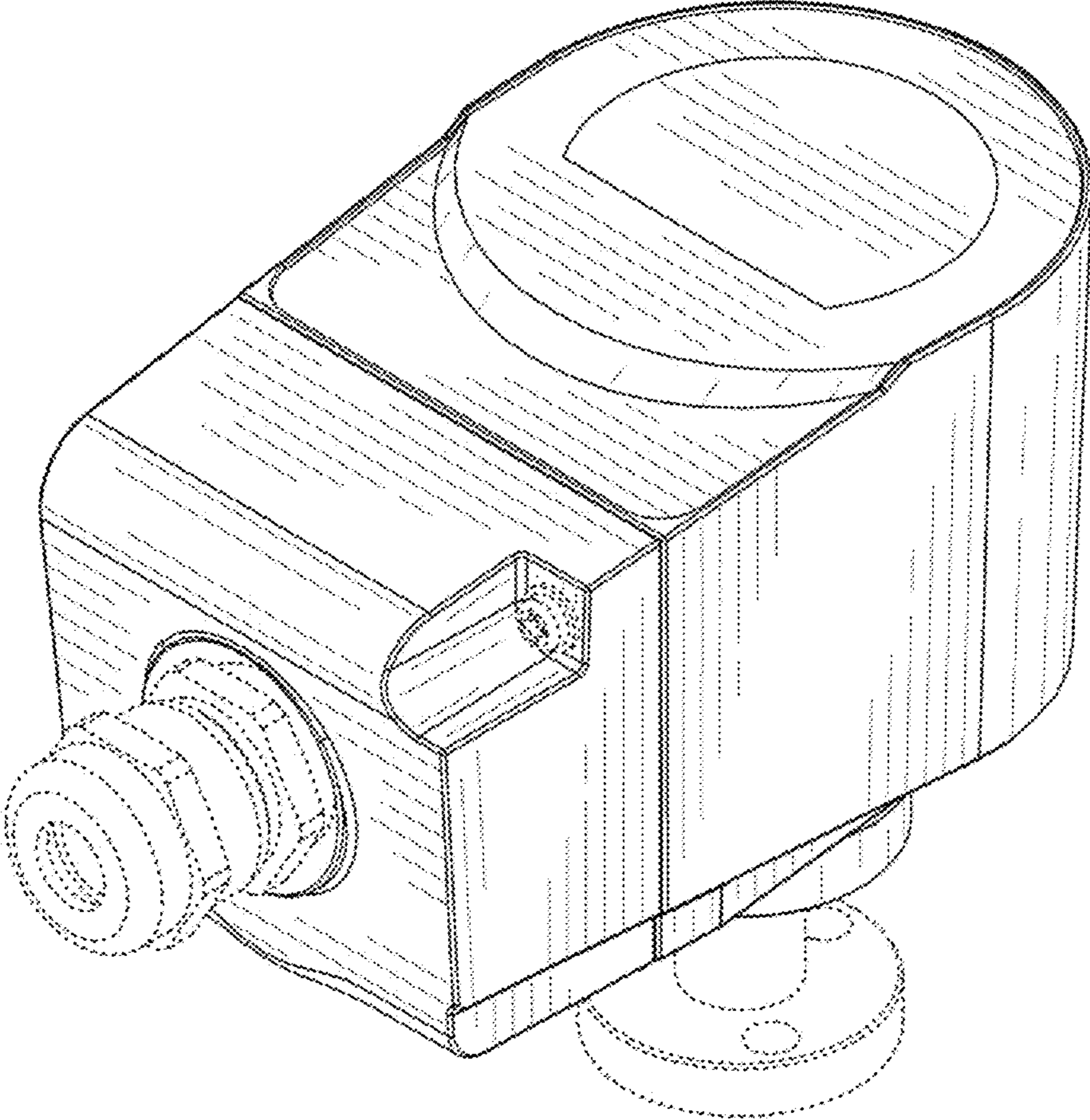


FIG. 1

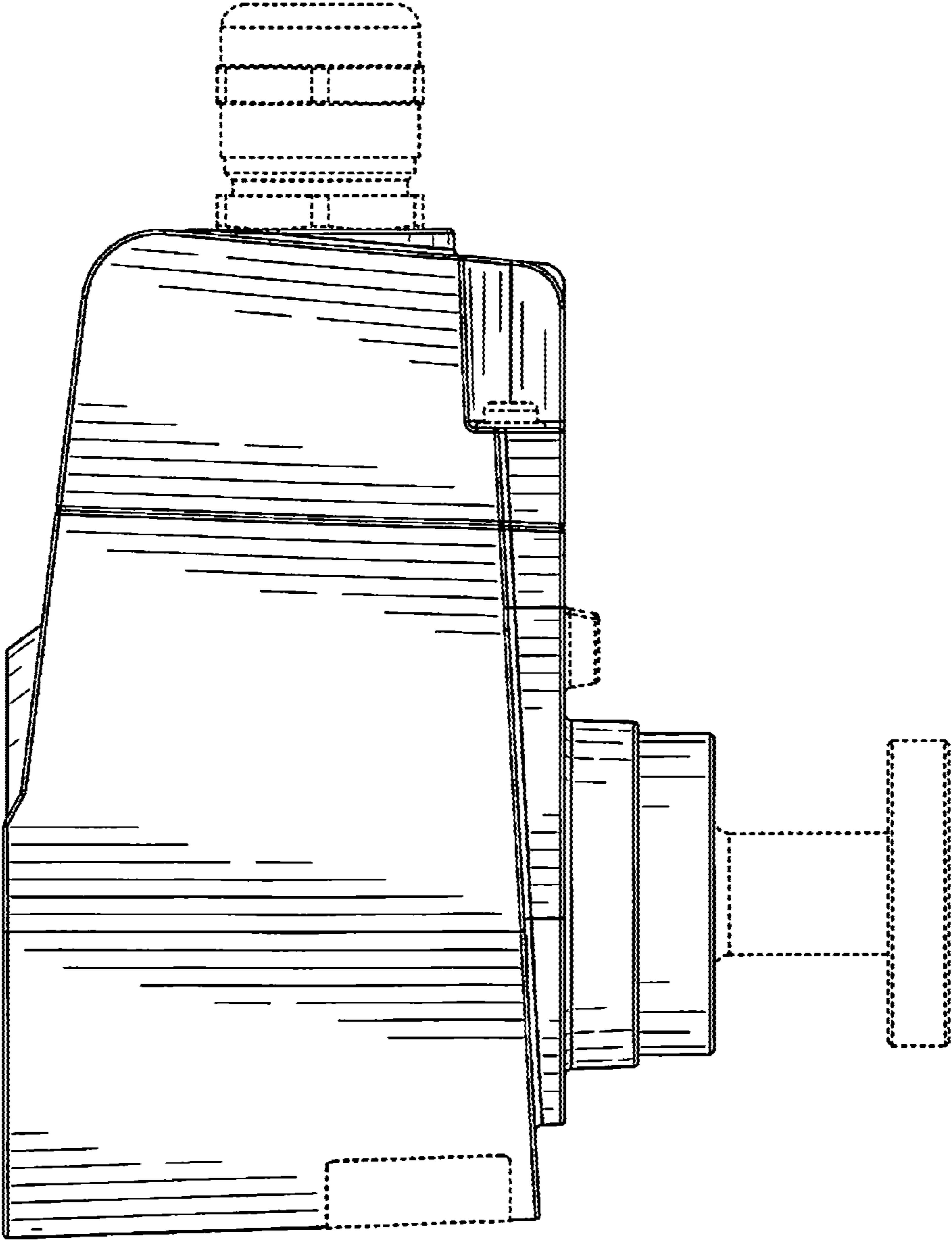


FIG. 2

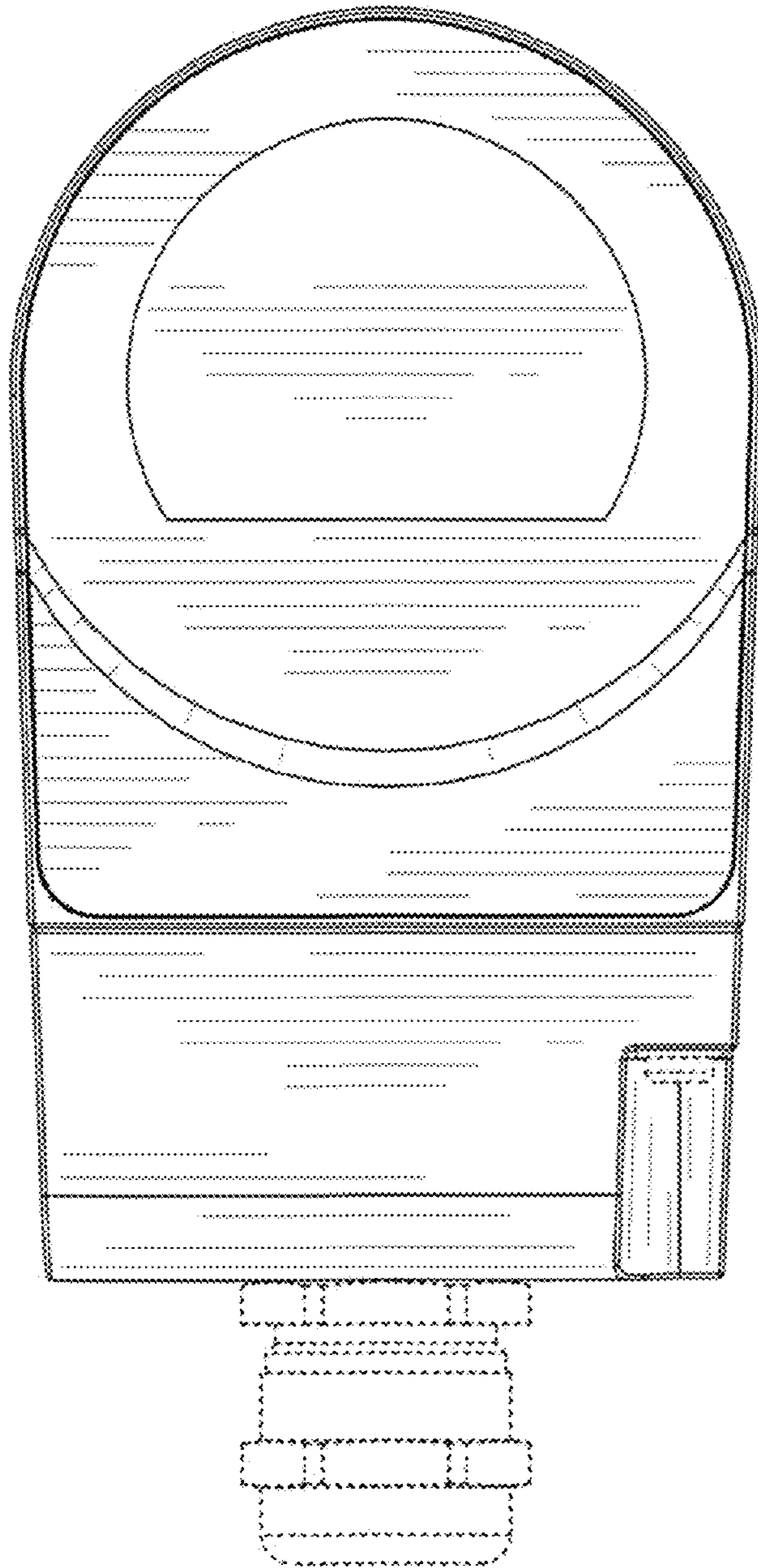


FIG. 3

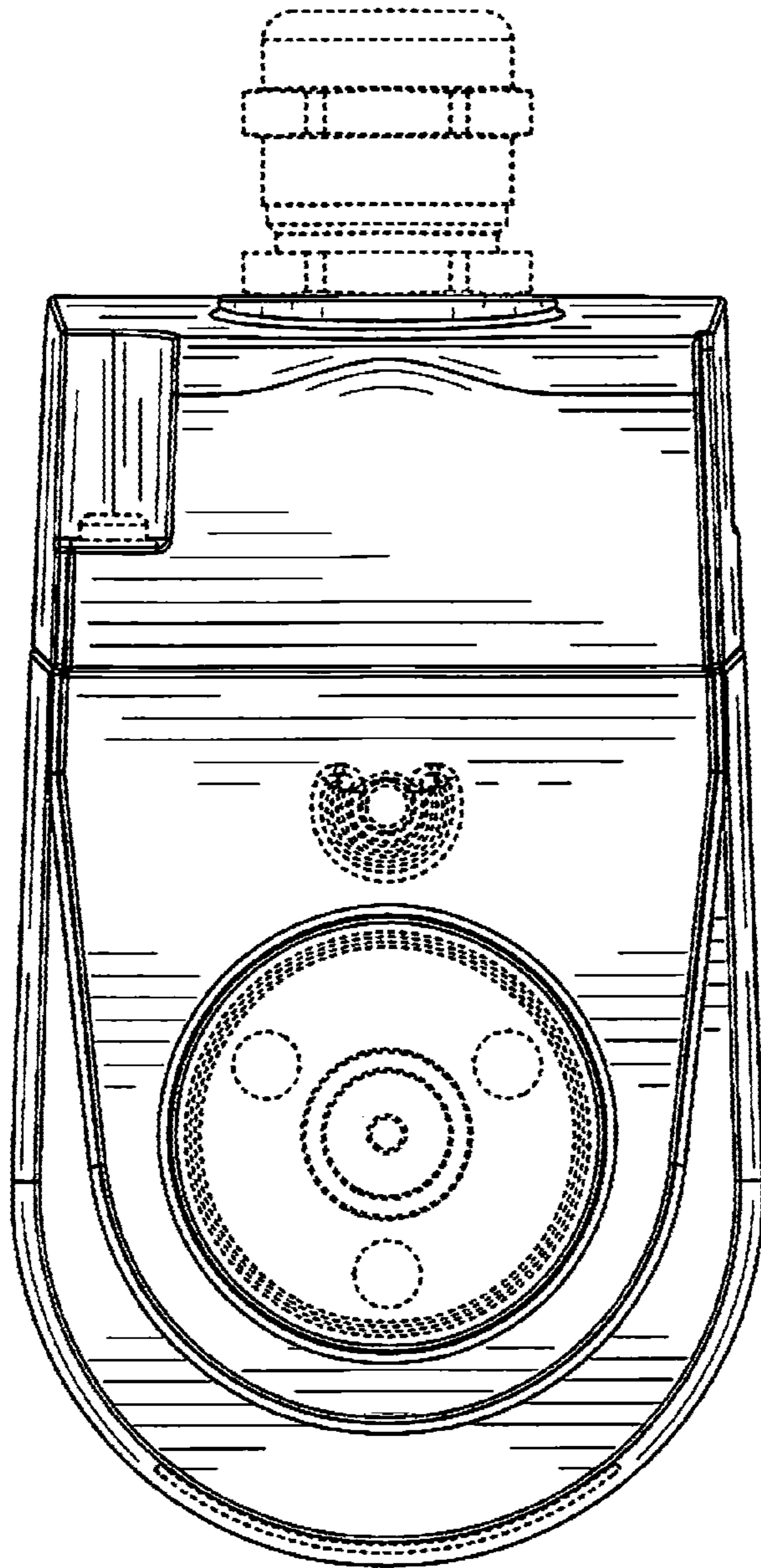


FIG. 4

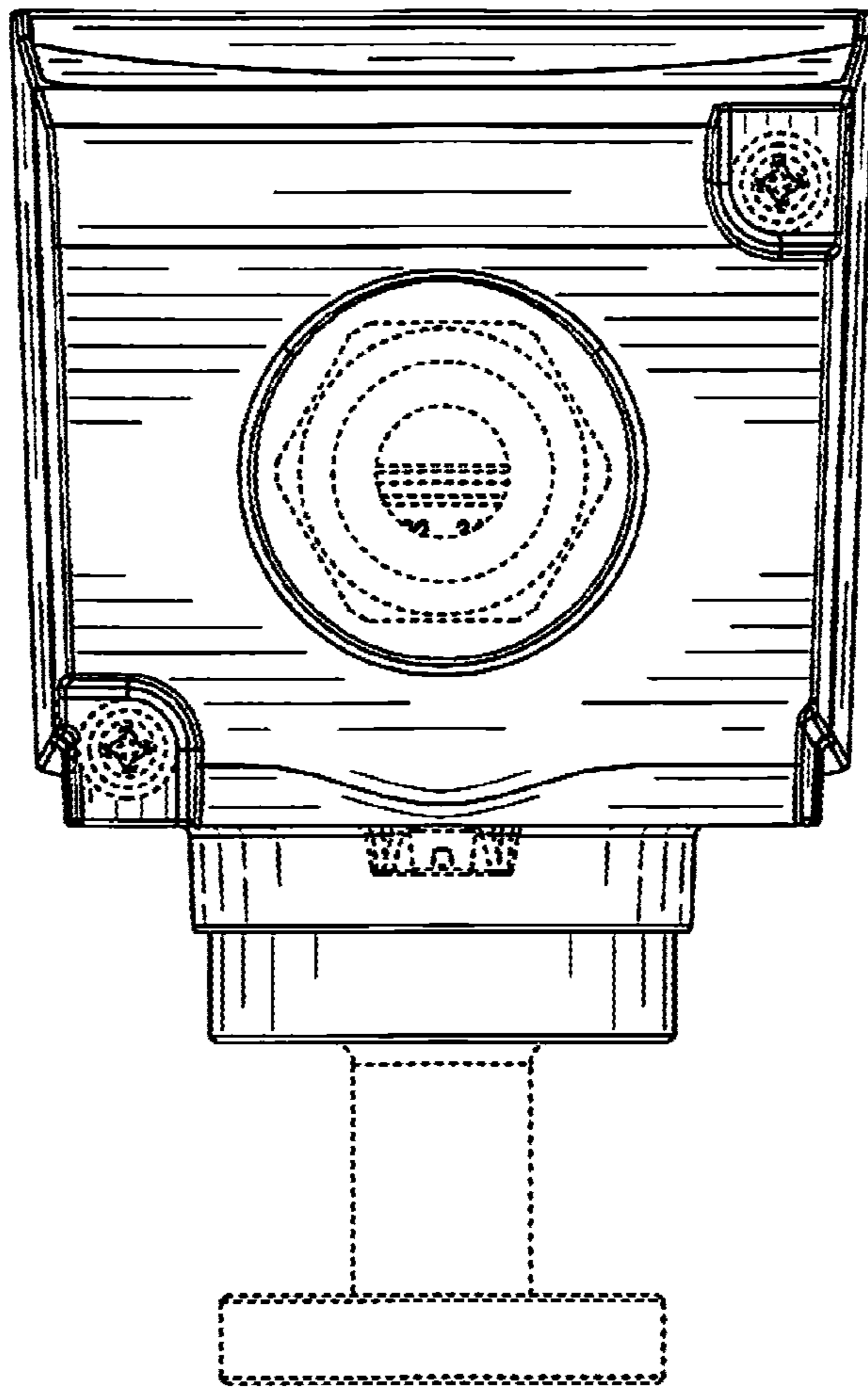


FIG. 5

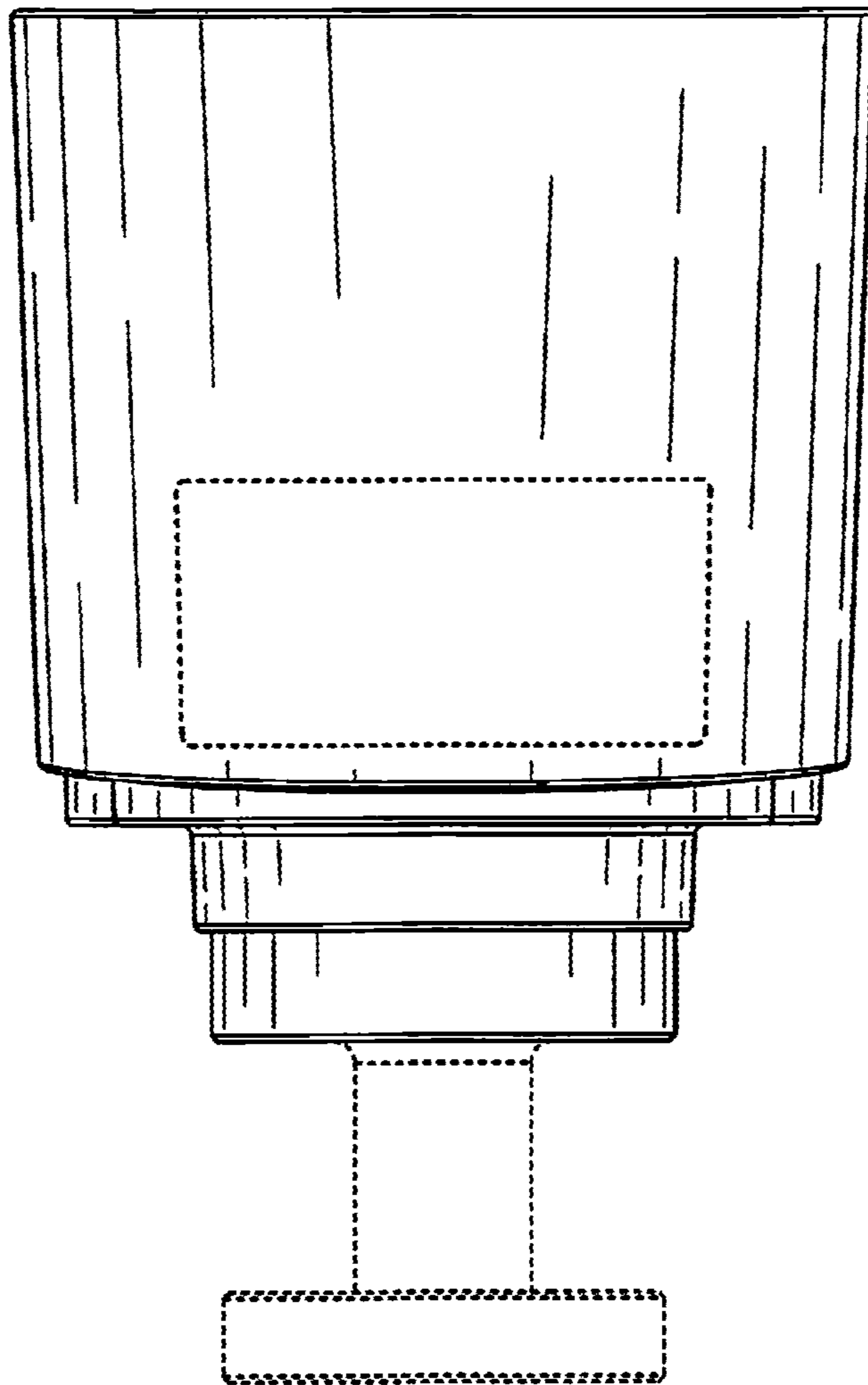


FIG. 6