



US00D762502S

(12) **United States Design Patent**
Shen

(10) **Patent No.:** **US D762,502 S**

(45) **Date of Patent:** **** Aug. 2, 2016**

(54) **CLAMP METER**

(71) Applicant: **Danaher (Shanghai) Industrial Instrumentation Technologies R&D Co., Ltd., Shanghai (CN)**

(72) Inventor: **Yurui Shen, Shanghai (CN)**

(73) Assignee: **Fluke Corporation, Everett, WA (US)**

(**) Term: **14 Years**

(21) Appl. No.: **29/519,419**

(22) Filed: **Mar. 4, 2015**

(30) **Foreign Application Priority Data**

Sep. 5, 2014 (CN) 2014 3 0327714

(51) **LOC (10) Cl.** **10-04**

(52) **U.S. Cl.**
USPC **D10/79; D10/80**

(58) **Field of Classification Search**
USPC D10/79, 80
CPC G01R 1/04; G01R 1/0408; G01R 1/0416;
G01R 1/0425; G01R 1/06; G01R 1/067;
G01R 15/125; G01R 1/22; G01R 15/12;
G01R 15/18; G01R 15/186; G01R 1/07;
G01R 1/16772; G01R 1/16788

See application file for complete search history.

(56) **References Cited**

U.S. PATENT DOCUMENTS

D665,282 S * 8/2012 Worones D10/80
D678,790 S * 3/2013 Worones D10/79
D715,169 S * 10/2014 Chen D10/79
D726,049 S * 4/2015 Wurts D10/79
D726,050 S * 4/2015 Wurts D10/79

OTHER PUBLICATIONS

“Fluke i400 AC Current Clamp,” <<http://en-us.fluke.com/products/all-accessories/fluke-i400.html>> [retrieved Mar. 26, 2015], 4 pages.

* cited by examiner

Primary Examiner — Antoine D Davis

(74) *Attorney, Agent, or Firm* — Seed IP Law Group PLLC

(57) **CLAIM**

The ornamental design for a clamp meter, as shown and described.

DESCRIPTION

The application file contains at least one drawing executed in color. Copies of this patent with color drawings will be provided by the Office upon request and payment of the necessary fee.

FIG. 1 is a bottom front left perspective view of an embodiment of a clamp meter showing my new design;

FIG. 2 is a top front right perspective view thereof;

FIG. 3 is a front elevation view thereof;

FIG. 4 is a rear elevation view thereof;

FIG. 5 is a right elevation view thereof;

FIG. 6 is a left elevation view thereof;

FIG. 7 is a top plan view thereof;

FIG. 8 is a bottom plan view thereof;

FIG. 9 is a bottom front left perspective view of another embodiment of a clamp meter showing my new design, including a yellow color portion, a red color portion, and a grey color portion;

FIG. 10 is a top front right perspective view thereof;

FIG. 11 is a front elevation view thereof;

FIG. 12 is a rear elevation view thereof;

FIG. 13 is a right elevation view thereof;

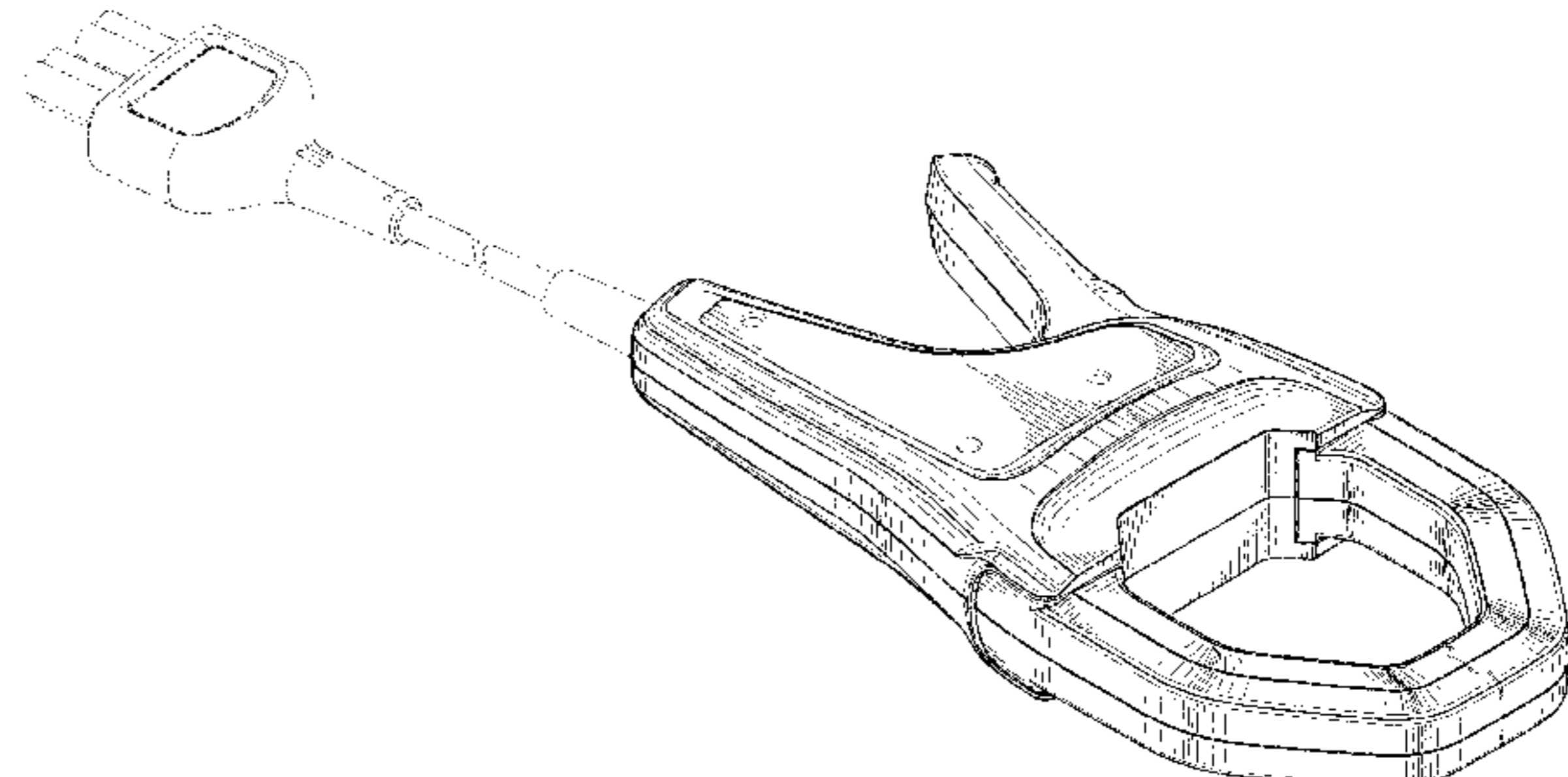
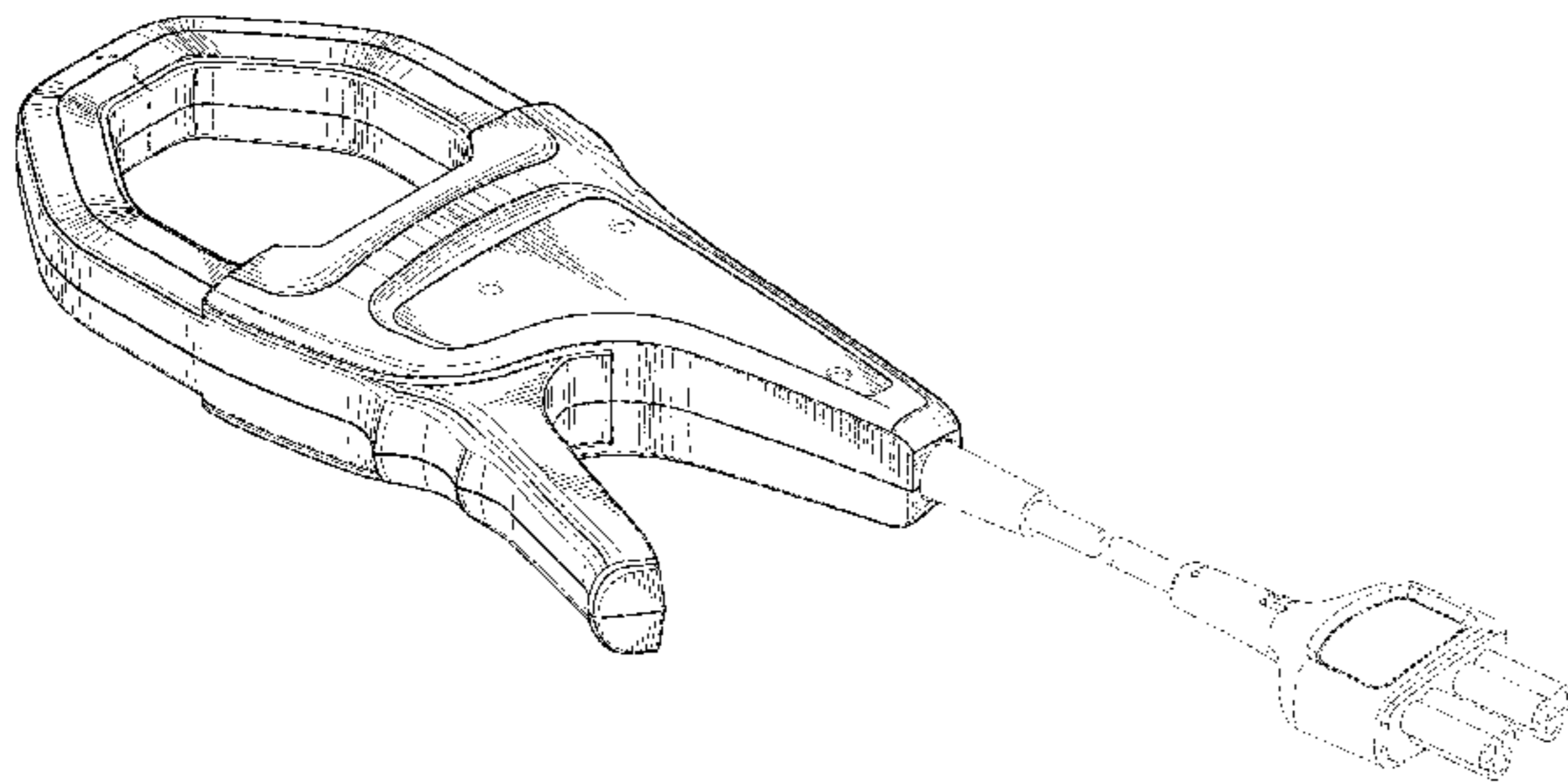
FIG. 14 is a left elevation view thereof;

FIG. 15 is a top plan view thereof; and,

FIG. 16 is a bottom plan view thereof.

The broken lines are for the purpose of illustrating portions of the clamp meter that form no part of the claimed design.

1 Claim, 12 Drawing Sheets
(6 of 12 Drawing Sheet(s) Filed in Color)



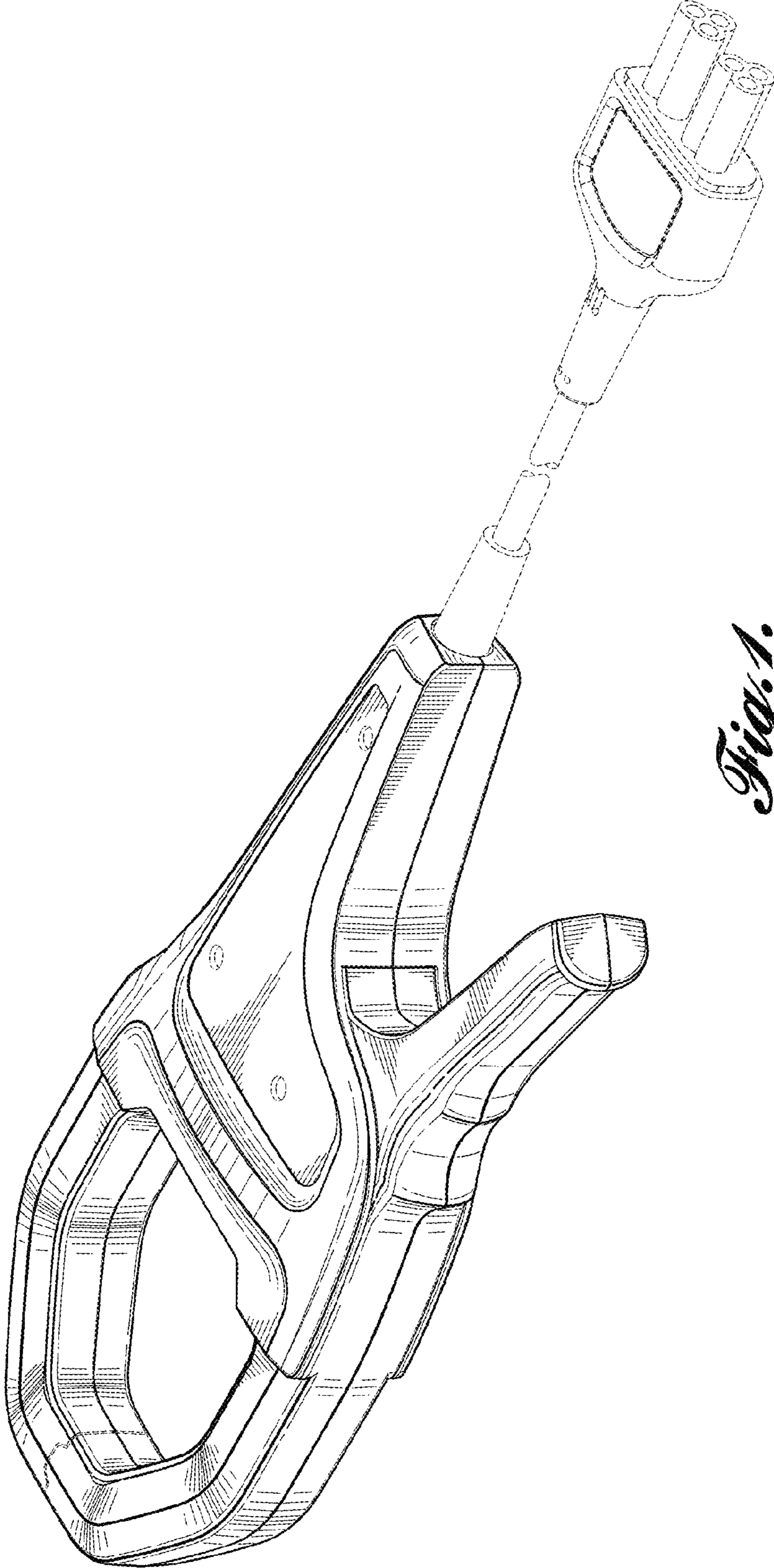


Fig. 1.

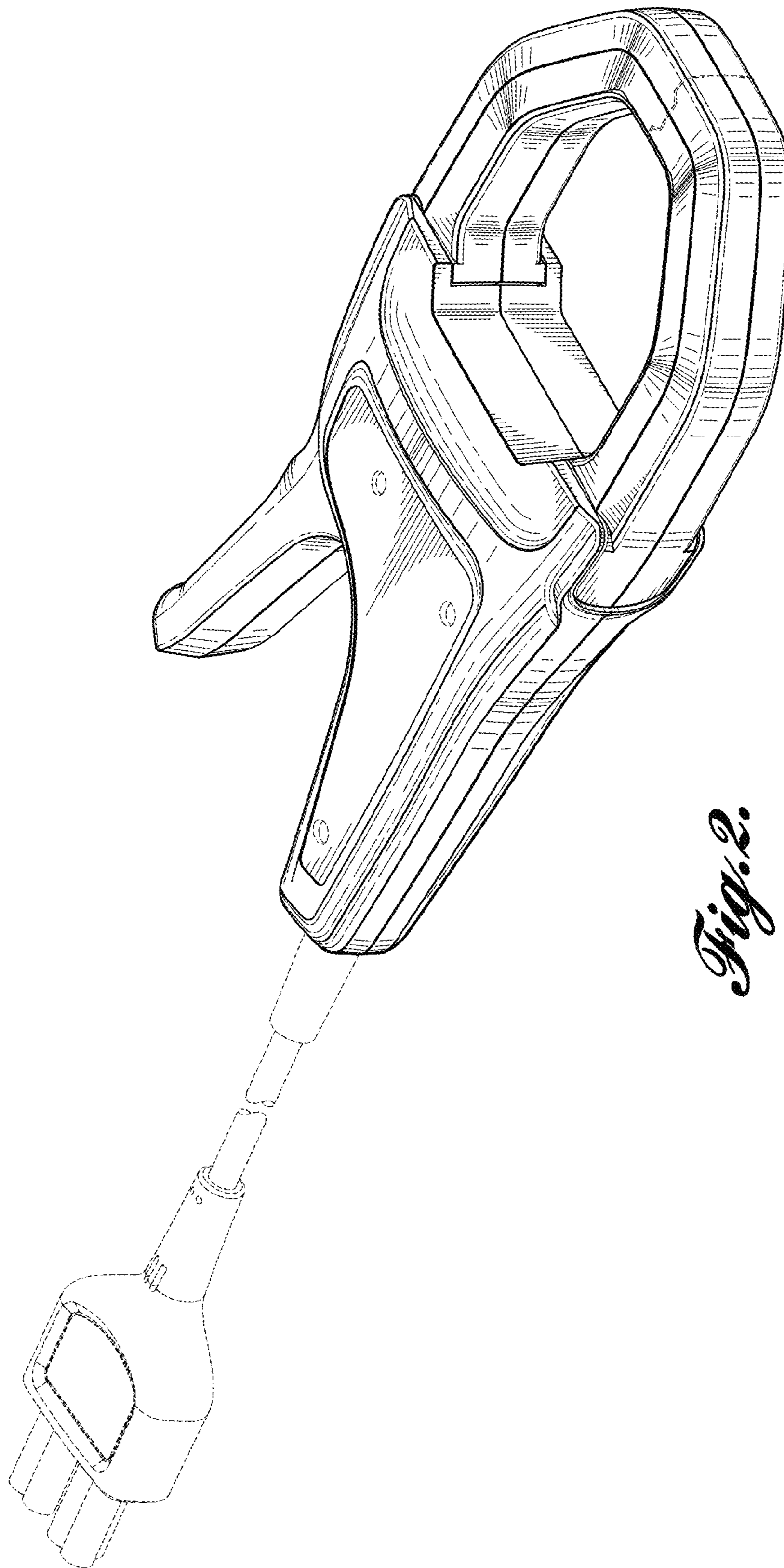


Fig. 2.

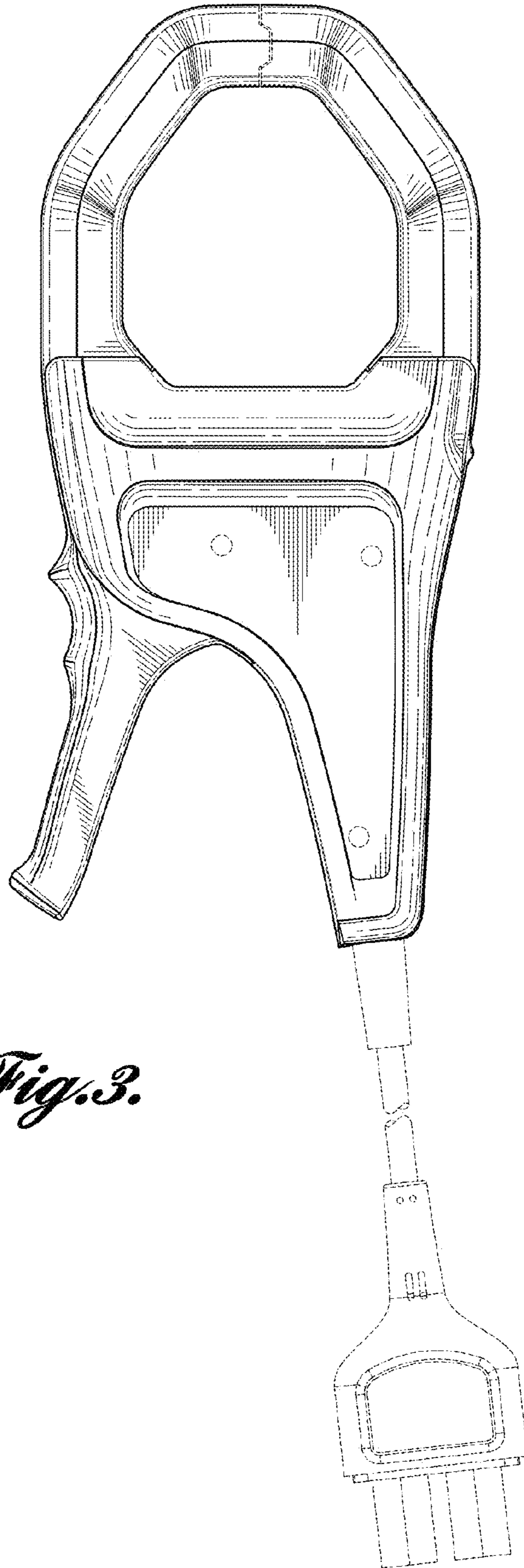


Fig. 3.

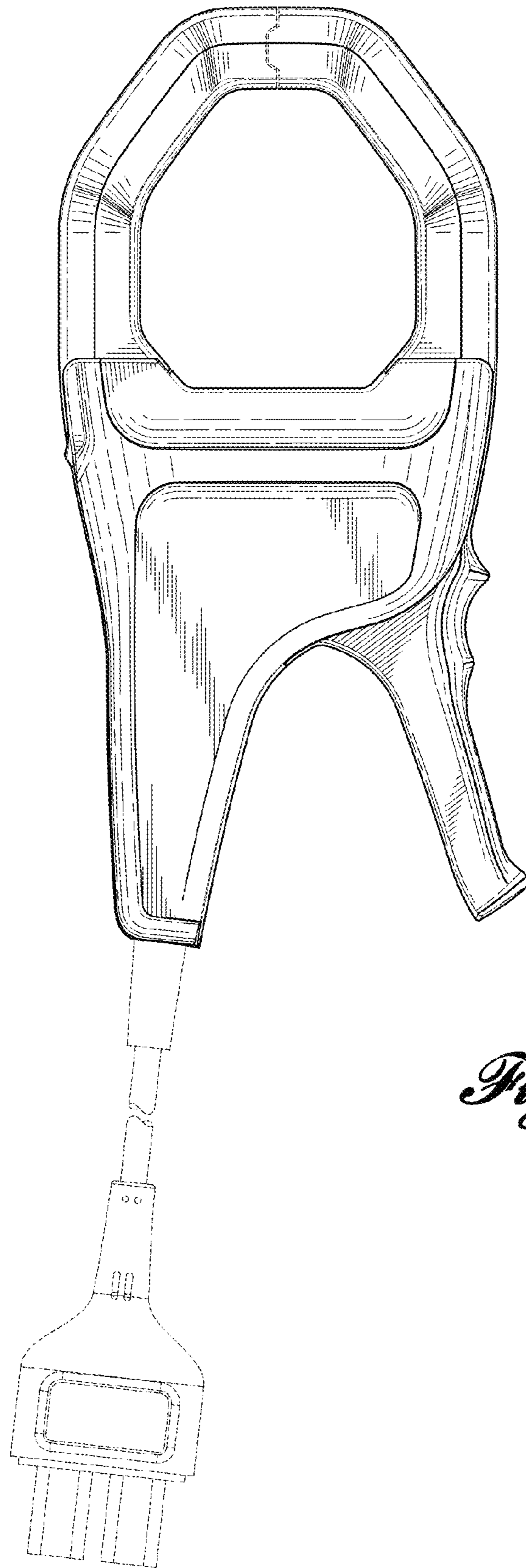


Fig. 4.

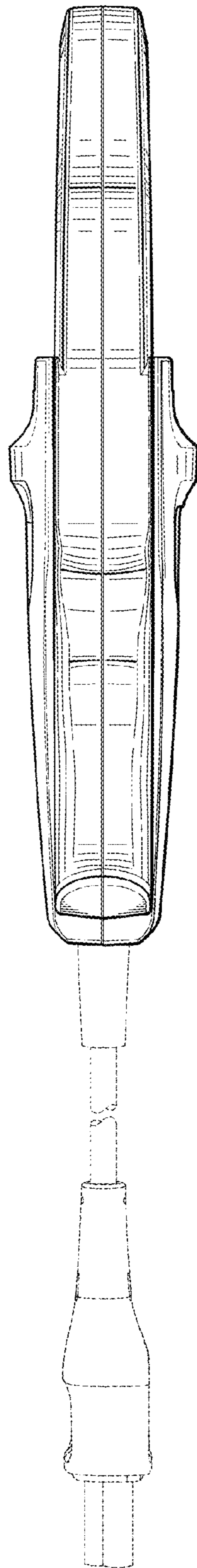


Fig. 5.

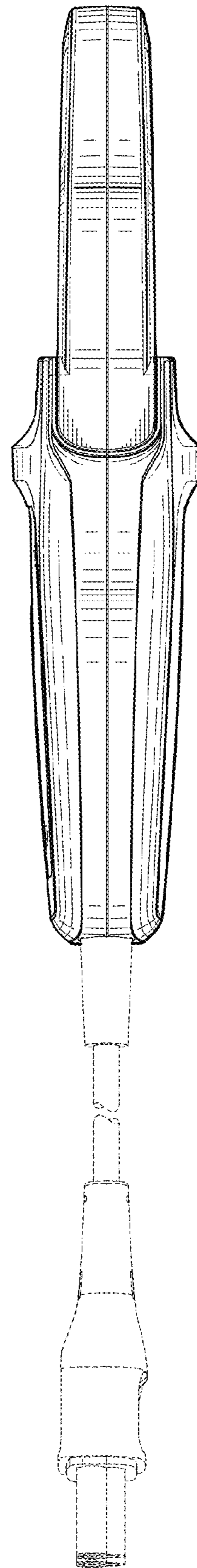


Fig. 6.

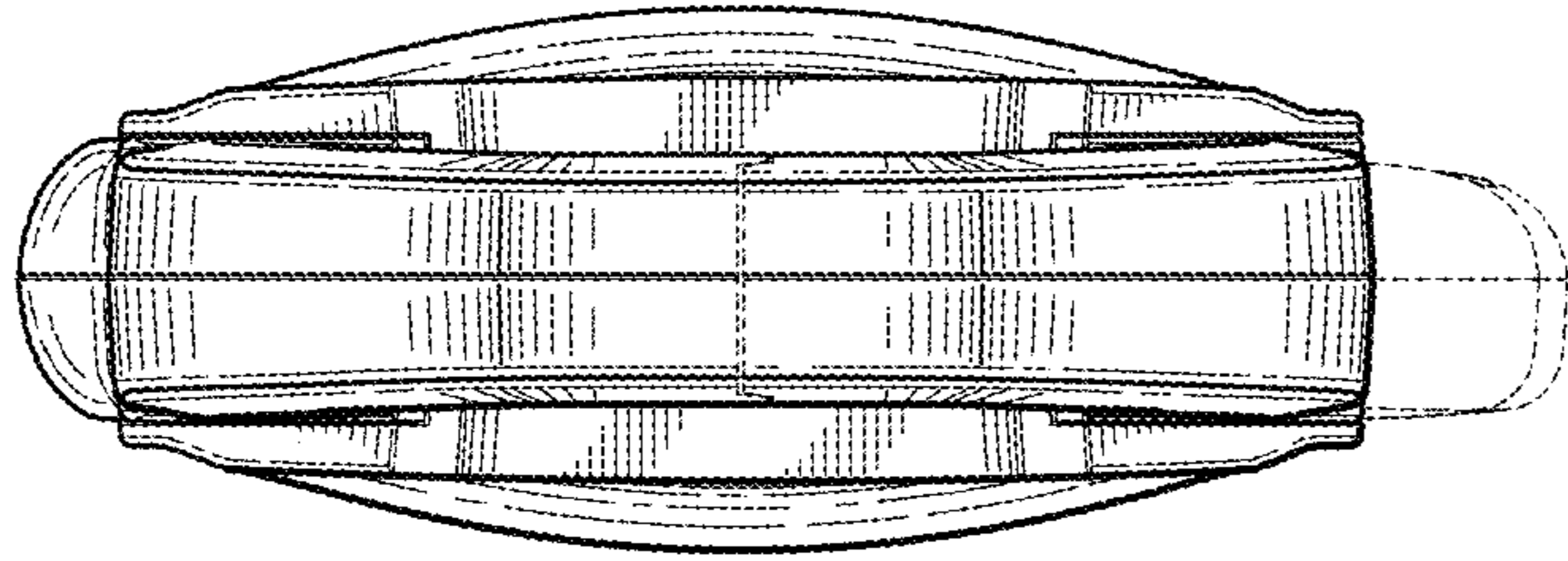


Fig. 7.

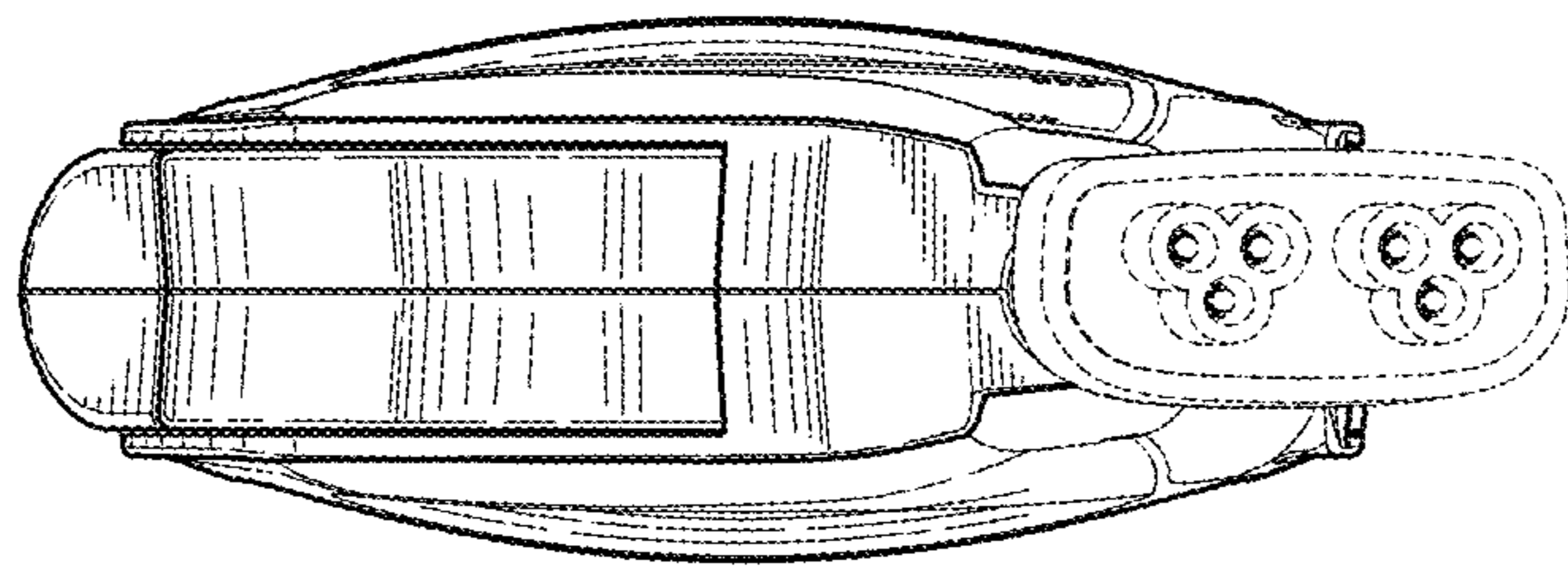


Fig. 8.

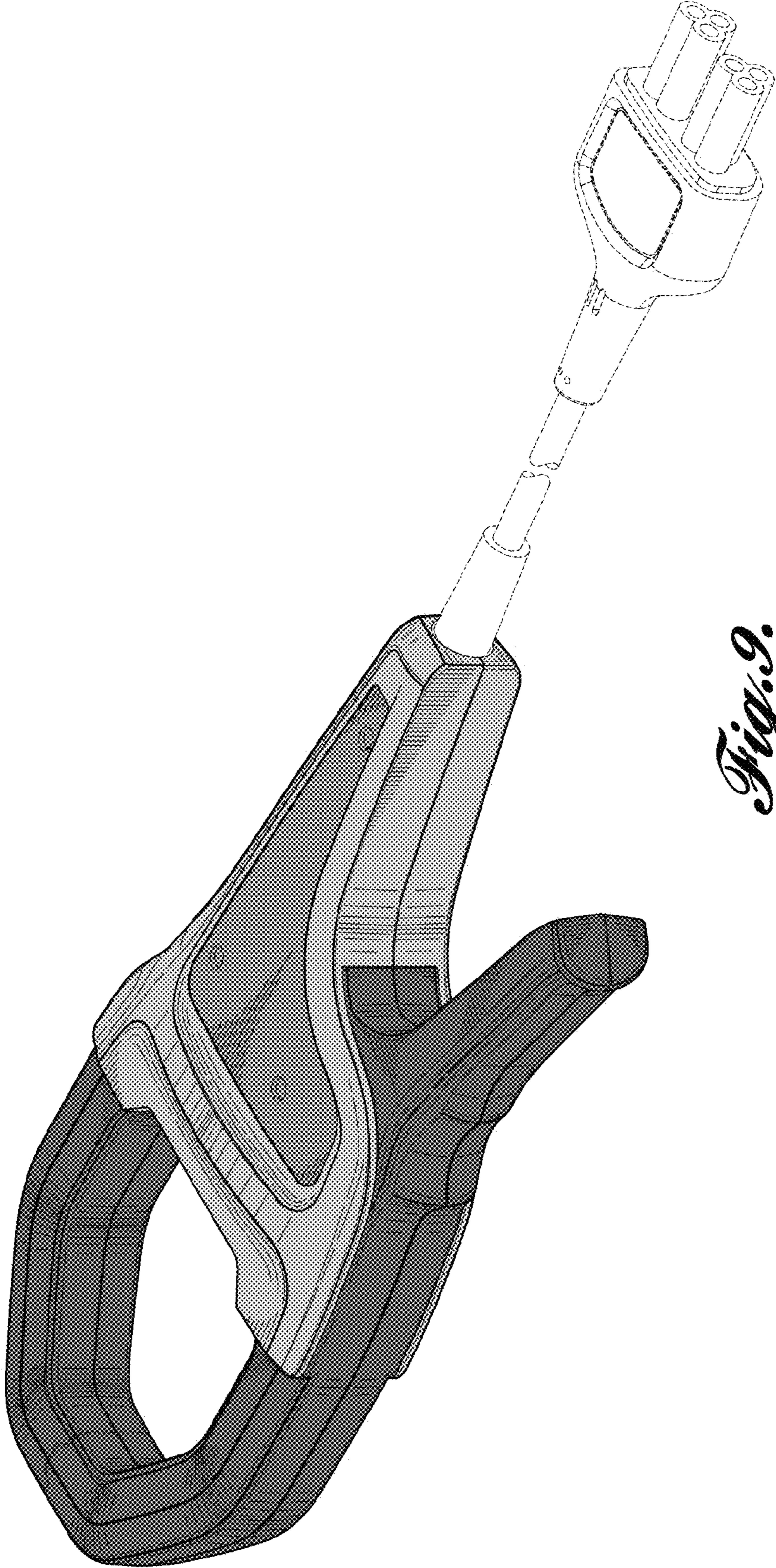


Fig. 9.

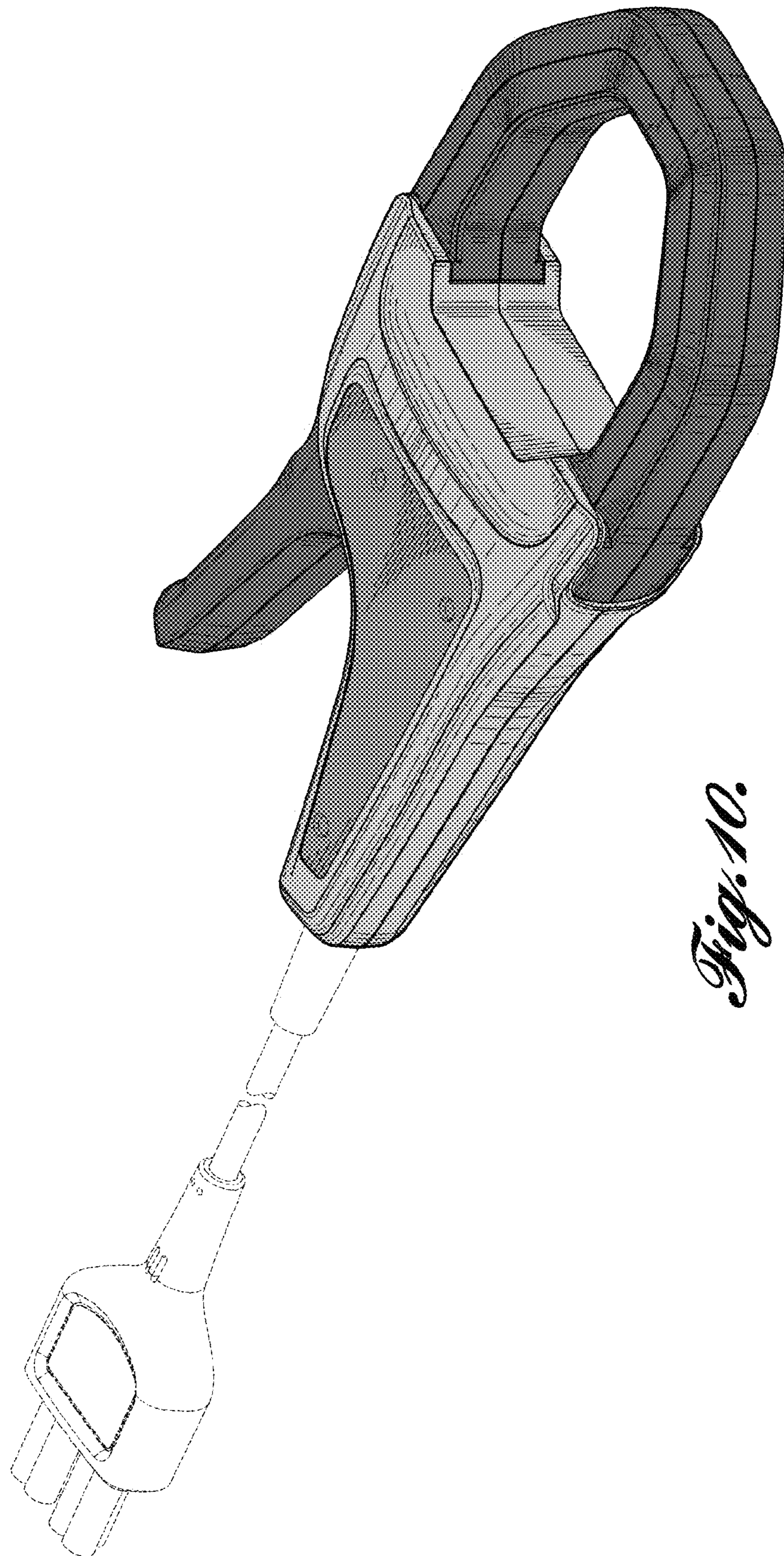


Fig. 10.

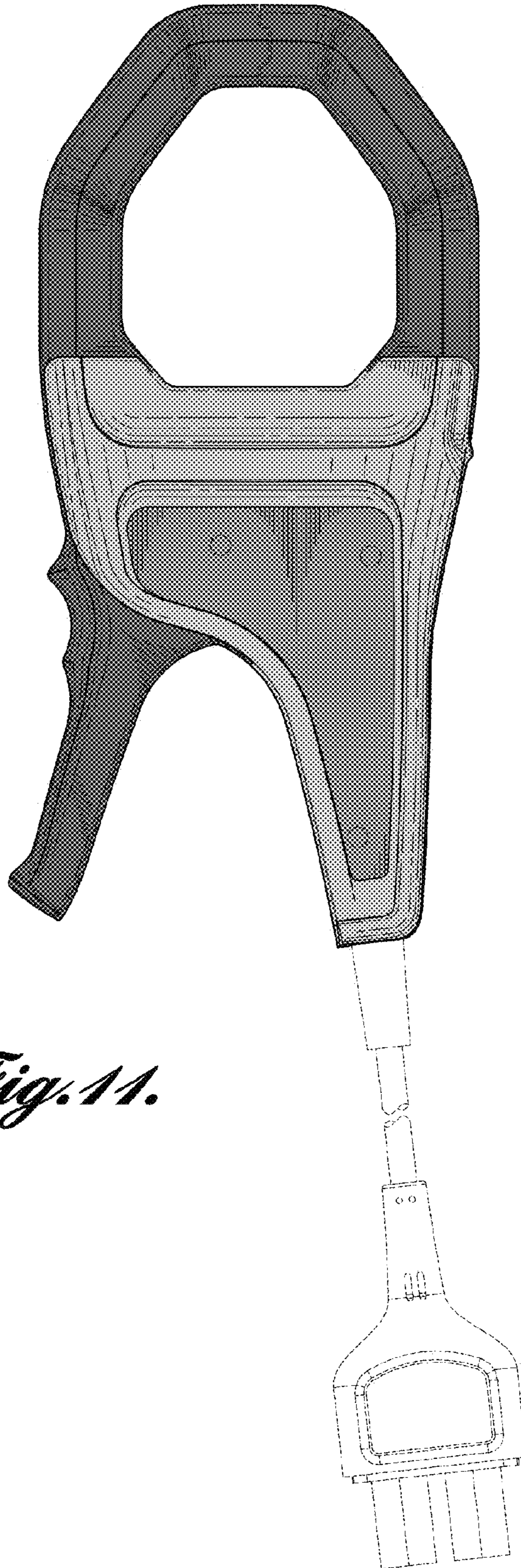


Fig. 11.

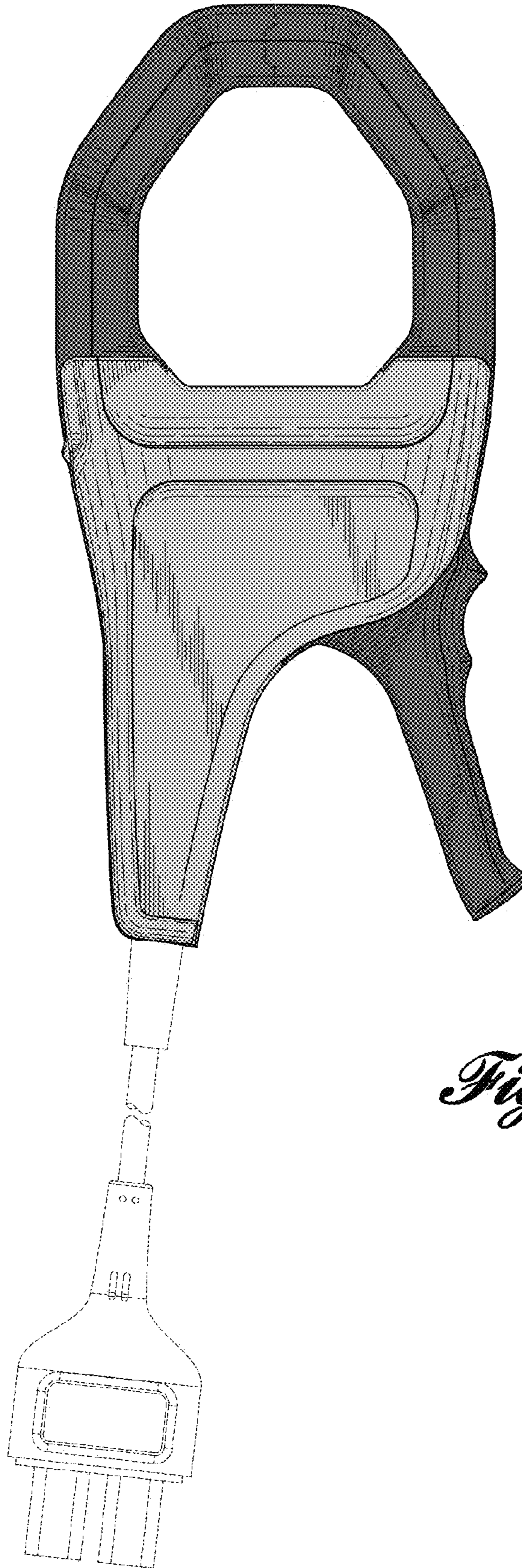


Fig. 12.

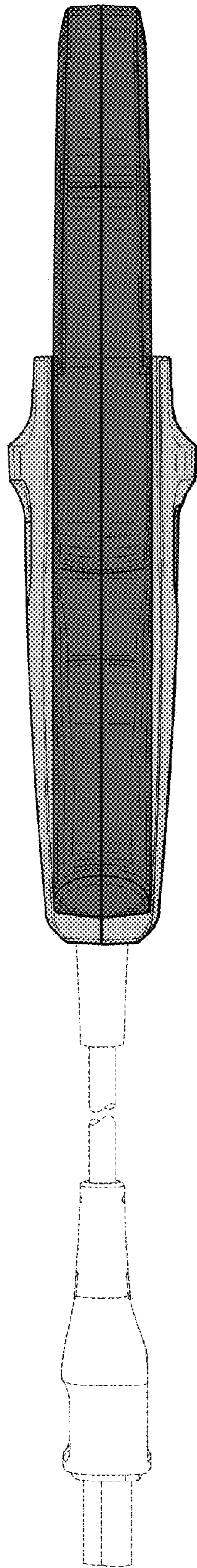


Fig. 13.

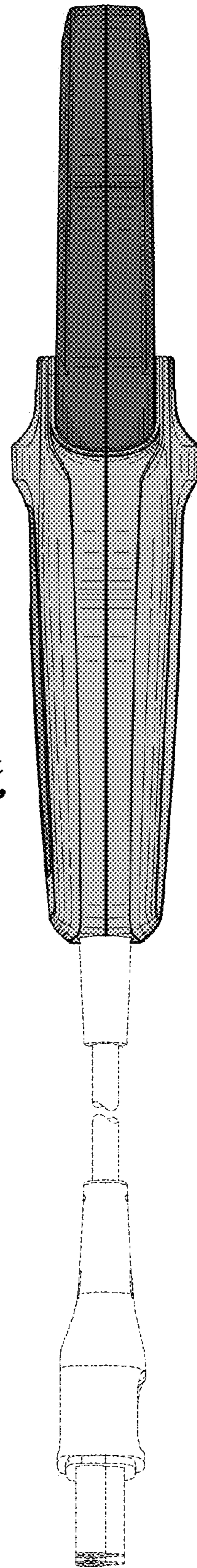


Fig. 14.

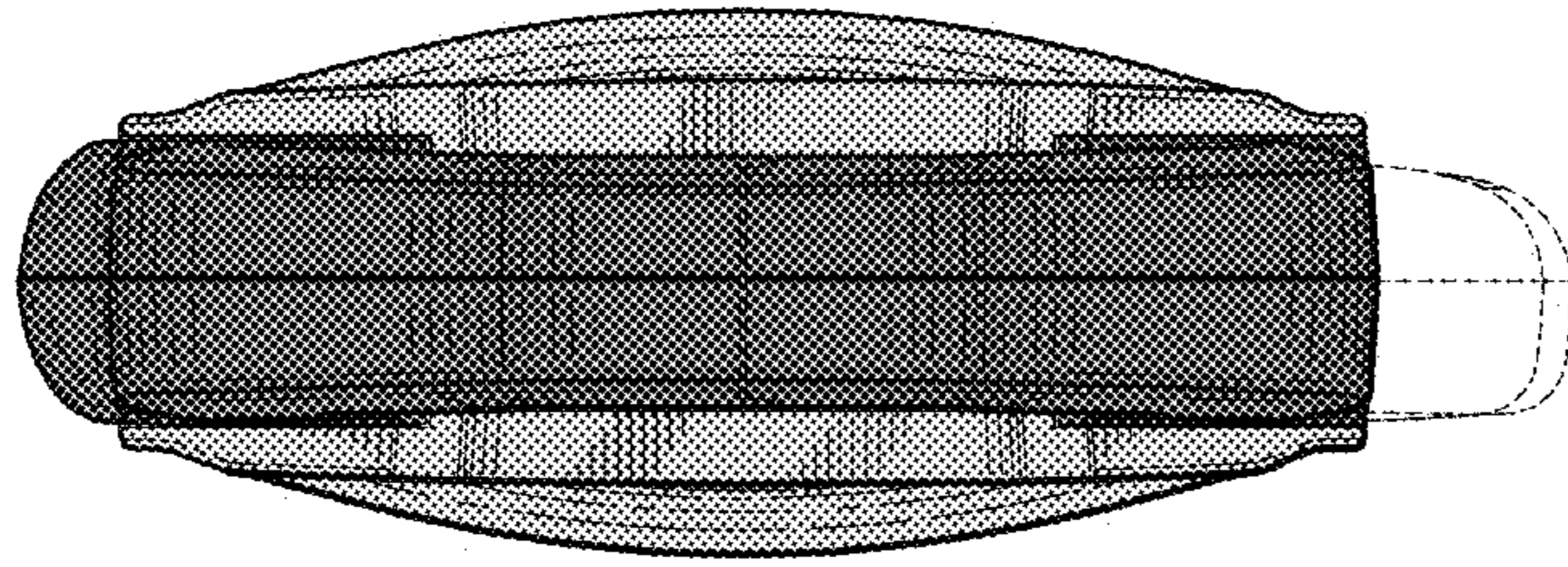


Fig. 15.

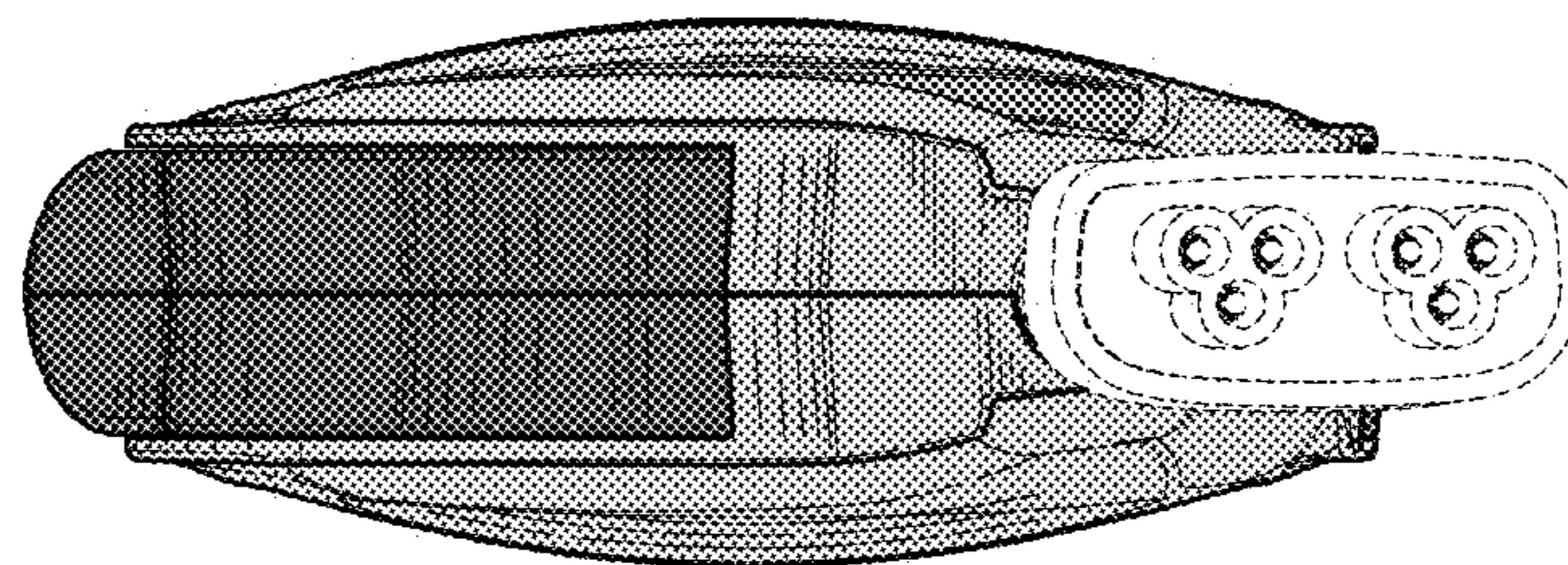


Fig. 16.