



US00D762499S

(12) **United States Design Patent**
Jackson

(10) **Patent No.:** **US D762,499 S**
(45) **Date of Patent:** **** Aug. 2, 2016**

- (54) **MASONRY LEVEL**
- (71) Applicant: **Dennis Jackson**, Louisville, MS (US)
- (72) Inventor: **Dennis Jackson**, Louisville, MS (US)
- (**) Term: **15 Years**
- (21) Appl. No.: **29/529,503**
- (22) Filed: **Jun. 8, 2015**
- (51) **LOC (10) Cl.** **10-04**
- (52) **U.S. Cl.**
USPC **D10/69; D10/71**
- (58) **Field of Classification Search**
USPC D10/69, 71
CPC G01C 9/24; G01C 9/26; G01C 9/28;
G01C 9/30; G01C 9/32; G01C 9/34; G01C
9/36; G01B 2003/1092
See application file for complete search history.

6,742,271 B1 6/2004 Rushing
 D574,273 S * 8/2008 Dolin D10/69
 D750,511 S * 3/2016 Wojciechowski D10/69

OTHER PUBLICATIONS

<http://www.amazon.com/Stabila-36448-48-Inch-dead-blowshield/dp/B00011QPJQ>.
<http://www.amazon.com/Crick-Tool-48-Masonry-Green/dp/B0006HCJWY>.

* cited by examiner

Primary Examiner — Antoine D Davis
 (74) *Attorney, Agent, or Firm* — Robert C. Montgomery;
 Montgomery Patent & Design LP

(57) **CLAIM**
 The ornamental design for a masonry level, as shown and described.

(56) **References Cited**

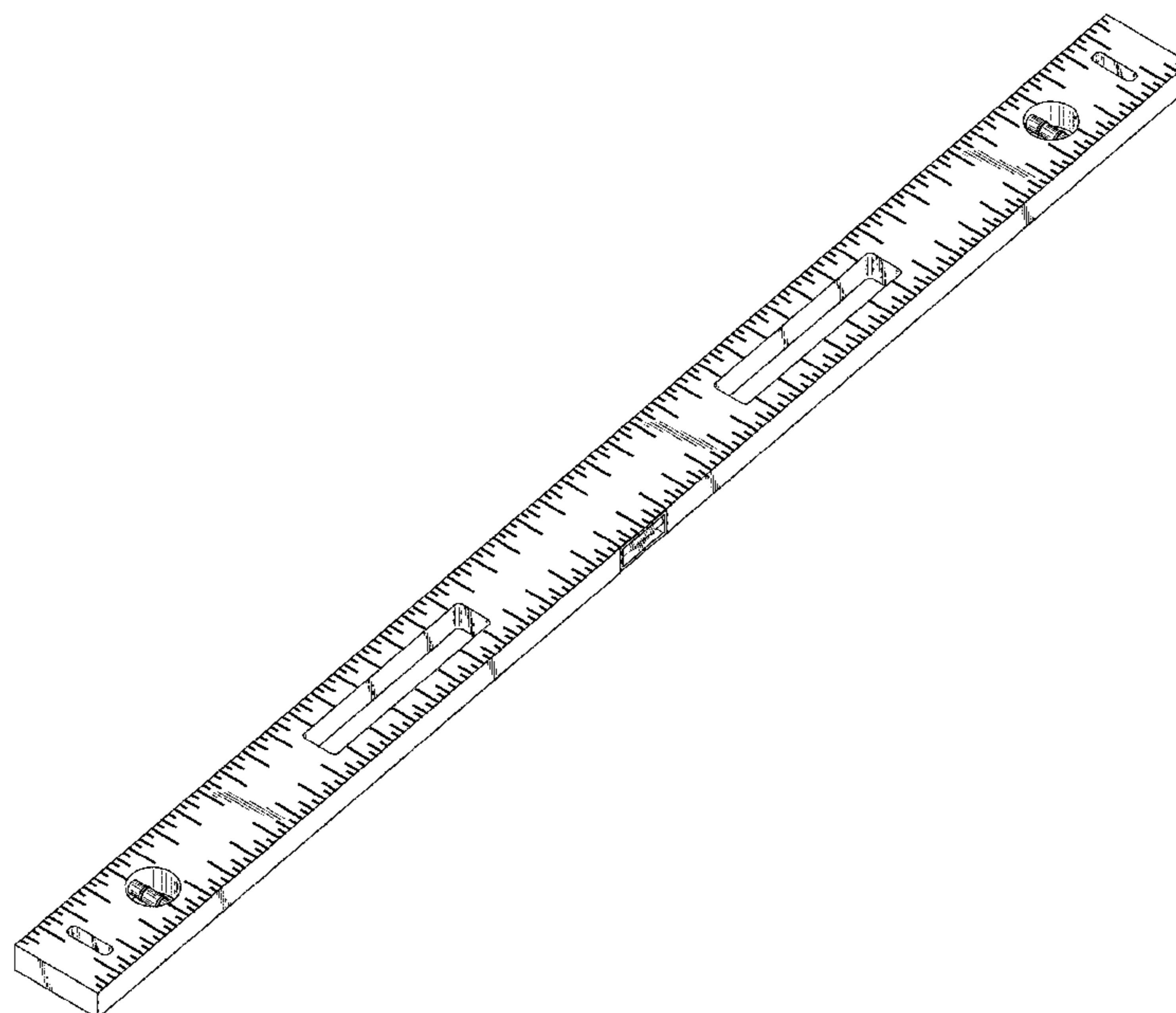
U.S. PATENT DOCUMENTS

1,089,571 A	3/1914	McNutt	
1,655,766 A *	1/1928	Hildebrant G01C 9/24 33/376
1,791,817 A	2/1931	Johnston et al.	
2,307,892 A	1/1943	Lowther	
2,806,133 A *	9/1957	Aube G01C 9/32 33/348.2
4,152,838 A *	5/1979	Cook G01C 9/28 33/342
D261,996 S *	11/1981	Barton D10/69
4,574,491 A	3/1986	Vining	
5,208,990 A	5/1993	Woerlein	
D453,479 S *	2/2002	Greene D10/69

DESCRIPTION

FIG. 1 is a perspective top side view of the masonry level showing my new design;
 FIG. 2 is a perspective bottom side view thereof;
 FIG. 3 is a front side view with the back side view being a mirror image thereof;
 FIG. 4 is a left side view thereof;
 FIG. 5 is a right side view thereof;
 FIG. 6 is a top side view thereof; and,
 FIG. 7 is a bottom side view thereof.

1 Claim, 7 Drawing Sheets



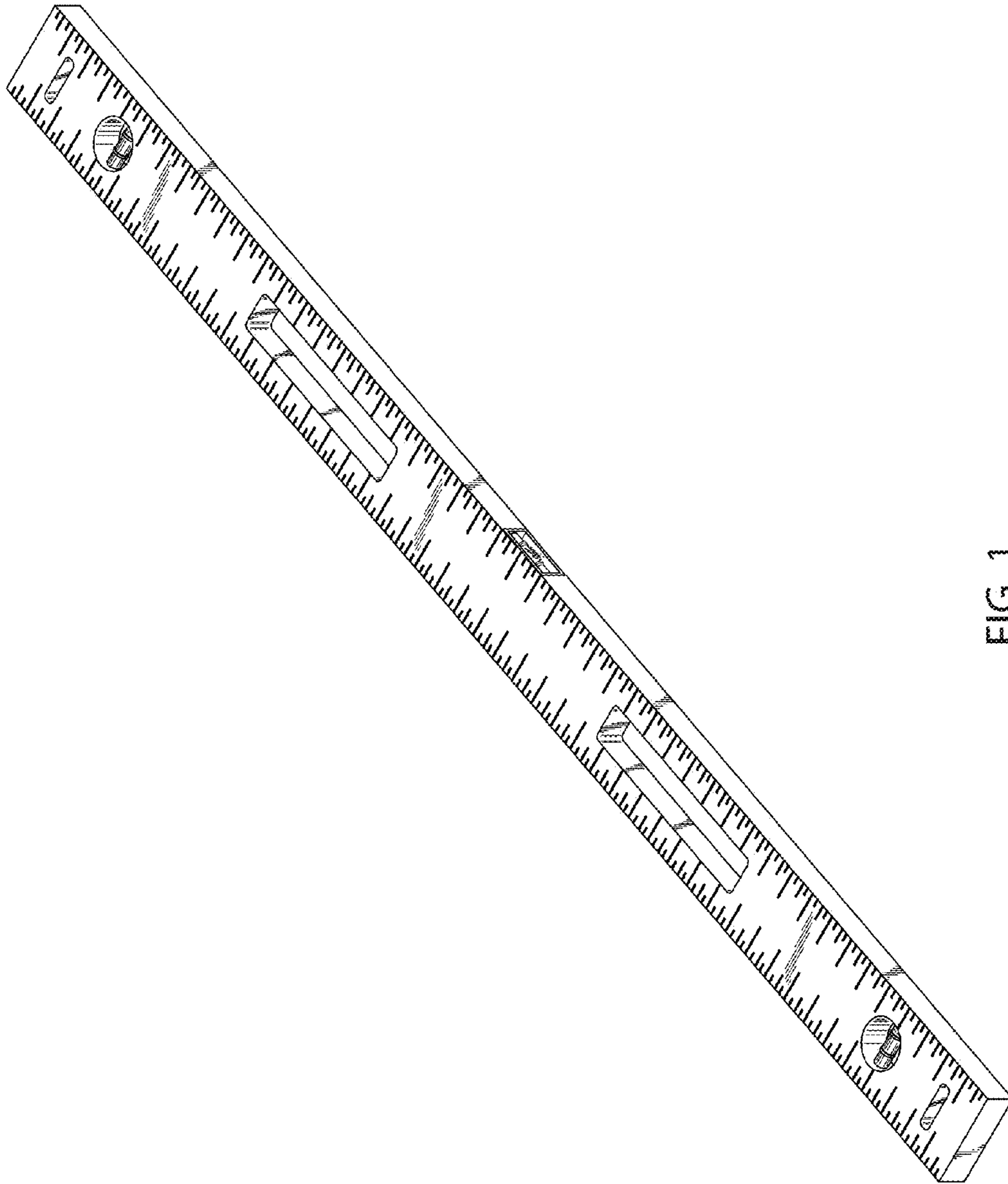


FIG. 1

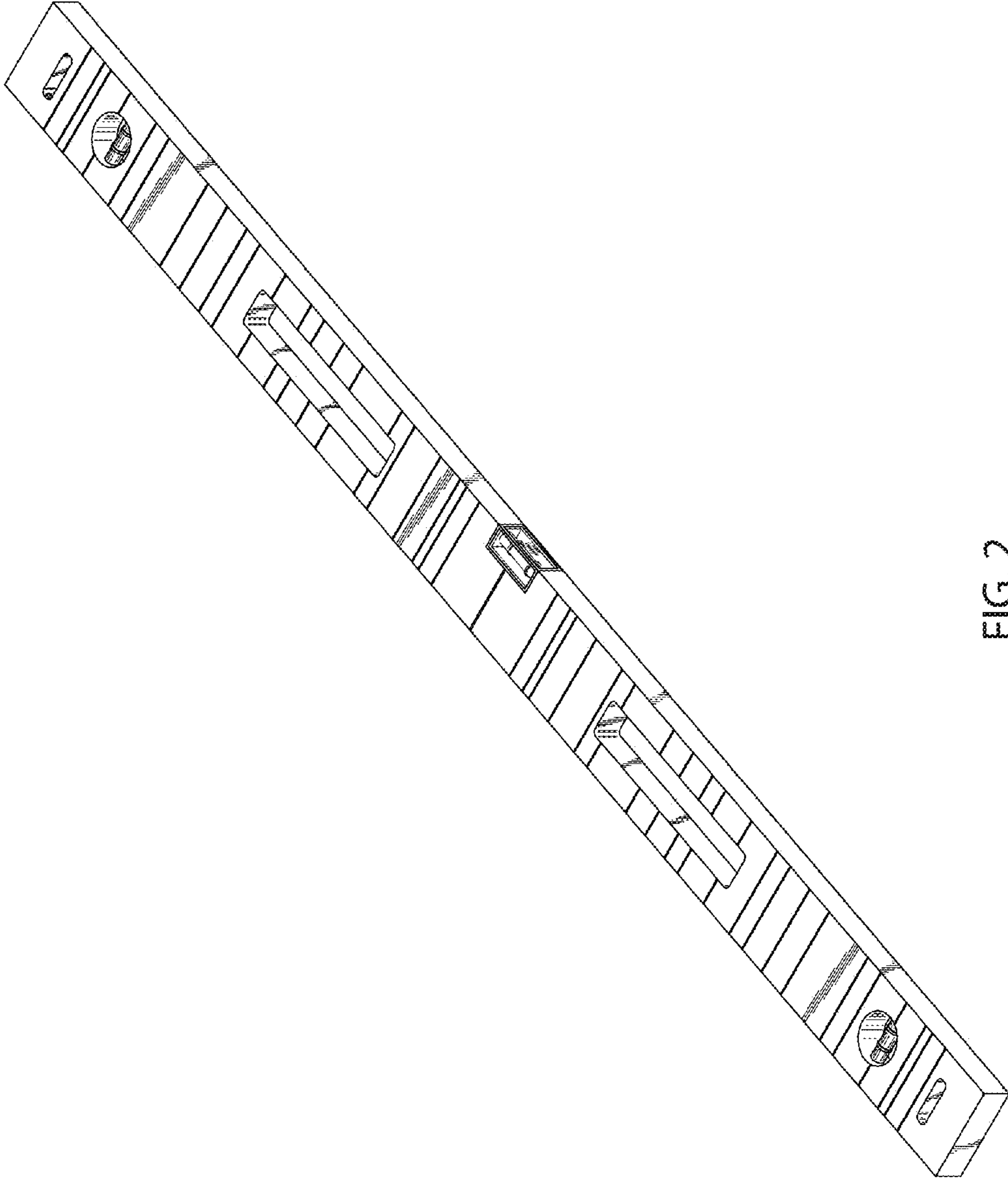


FIG. 2

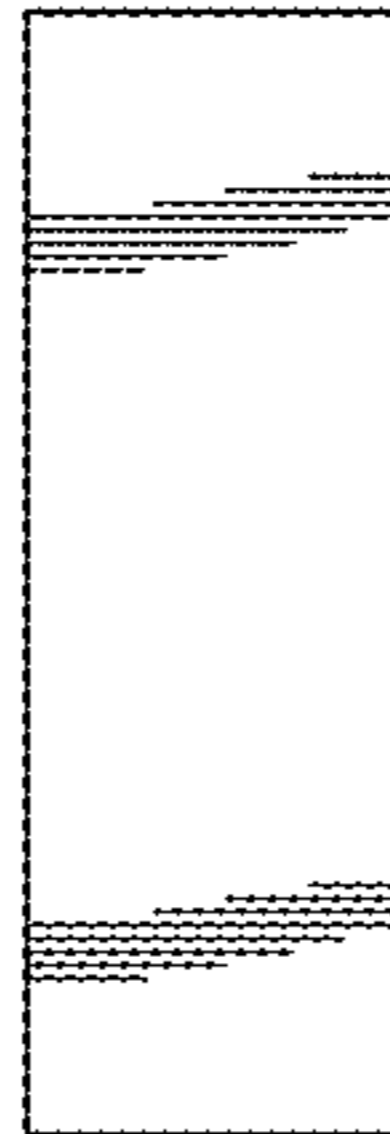


FIG. 3



FIG. 4



FIG. 5

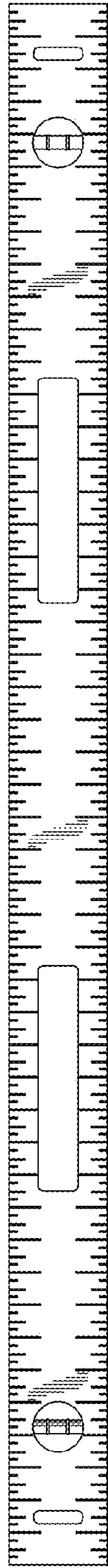


FIG. 6

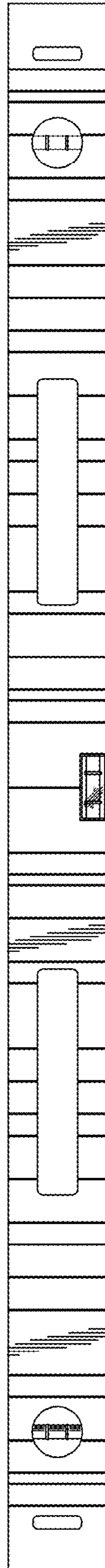


FIG. 7