



US00D762493S

(12) **United States Design Patent**
Galli

(10) **Patent No.:** **US D762,493 S**
(45) **Date of Patent:** **** Aug. 2, 2016**

- (54) **WATCH**
- (71) Applicant: **Salvatore Ferragamo S.p.A.**, Florence (IT)
- (72) Inventor: **Giorgio Galli**, Milan (IT)
- (73) Assignee: **Salvatore Ferragamo S.p.A.**, Florence (IT)
- (**) Term: **15 Years**
- (21) Appl. No.: **29/529,073**
- (22) Filed: **Jun. 3, 2015**
- (30) **Foreign Application Priority Data**

| | | | | |
|----------------|---------|------------|-------|--------------------------|
| D278,986 S * | 5/1985 | Houlihan | | D10/125 |
| D357,193 S * | 4/1995 | Lefevre | | D10/30 |
| D390,132 S * | 2/1998 | Rosenthal | | D10/30 |
| D440,900 S * | 4/2001 | Hillis | | D10/126 |
| 6,388,952 B2 * | 5/2002 | Kim | | G04G 15/006 340/309.4 |
| 6,402,368 B1 * | 6/2002 | Grimm | | G04B 17/285 368/127 |
| D573,041 S * | 7/2008 | Lulic | | D10/39 |
| 7,505,374 B2 * | 3/2009 | Booty, Jr. | | G04G 9/02 368/223 |
| D596,051 S * | 7/2009 | Mille | | D10/38 |
| D611,841 S * | 3/2010 | Hatem | | D10/32 |
| D656,418 S * | 3/2012 | Scheufele | | D10/39 |
| D667,318 S * | 9/2012 | Jamin | | D10/39 |
| D667,319 S * | 9/2012 | Jamin | | D10/39 |
| D672,256 S * | 12/2012 | Behar | | D10/39 |
| D706,143 S * | 6/2014 | Monachon | | D10/32 |

- Dec. 5, 2014 (WO) DM/085 052
- (51) **LOC (10) Cl.** **10-02**
- (52) **U.S. Cl.**
USPC **D10/39**; D10/126; D10/127
- (58) **Field of Classification Search**
USPC D10/30-39, 1-29, 122-132
CPC G04B 19/00; G04B 19/04; G04B 19/06;
G04B 19/065; G04B 19/10; G04B 19/12;
G04B 17/00; G04B 17/285; G04B 37/00;
G04B 37/0008; G04B 37/0058; G04B 45/00;
G04B 45/0007; G04B 45/0069; G04B 9/00;
G04B 9/0094; G04B 9/02; G04B 15/00;
G04B 15/006
See application file for complete search history.

* cited by examiner

Primary Examiner — Martie K Holtje
(74) *Attorney, Agent, or Firm* — Kelley Drye & Warren LLP

(56) **References Cited**
U.S. PATENT DOCUMENTS

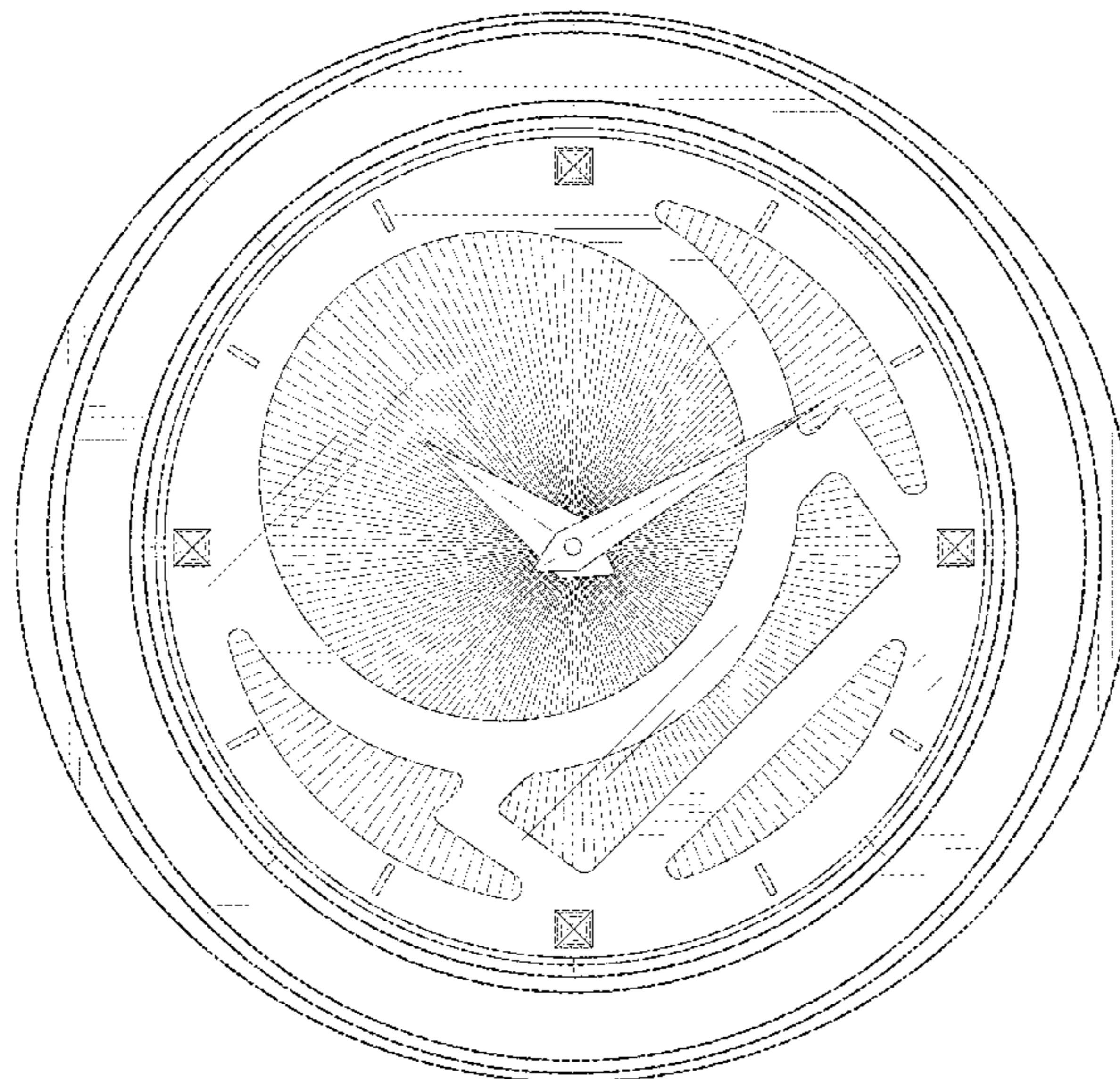
| | | | | |
|---------------|--------|----------|-------|-----------------------|
| D188,062 S * | 5/1960 | Pretat | | D10/38 |
| D260,494 S * | 9/1981 | Dinh Van | | D10/39 |
| 4,320,484 A * | 3/1982 | Burdet | | G04G 9/0094 345/34 |

(57) **CLAIM**
The ornamental design for a watch, as shown and described.

DESCRIPTION

FIG. 1 is a perspective view of a watch showing my new design;
FIG. 2 is a top plan view thereof;
FIG. 3 is a bottom plan view thereof;
FIG. 4 is a front elevational view thereof;
FIG. 5 is a first side elevational view thereof;
FIG. 6 is a second side elevational view thereof; and,
FIG. 7 is a rear elevational view thereof.
The structural features depicted by broken lines in FIGS. 3 through 7 have been shown for the purpose of illustrating portions of the watch that form no part of the claimed design.

1 Claim, 7 Drawing Sheets



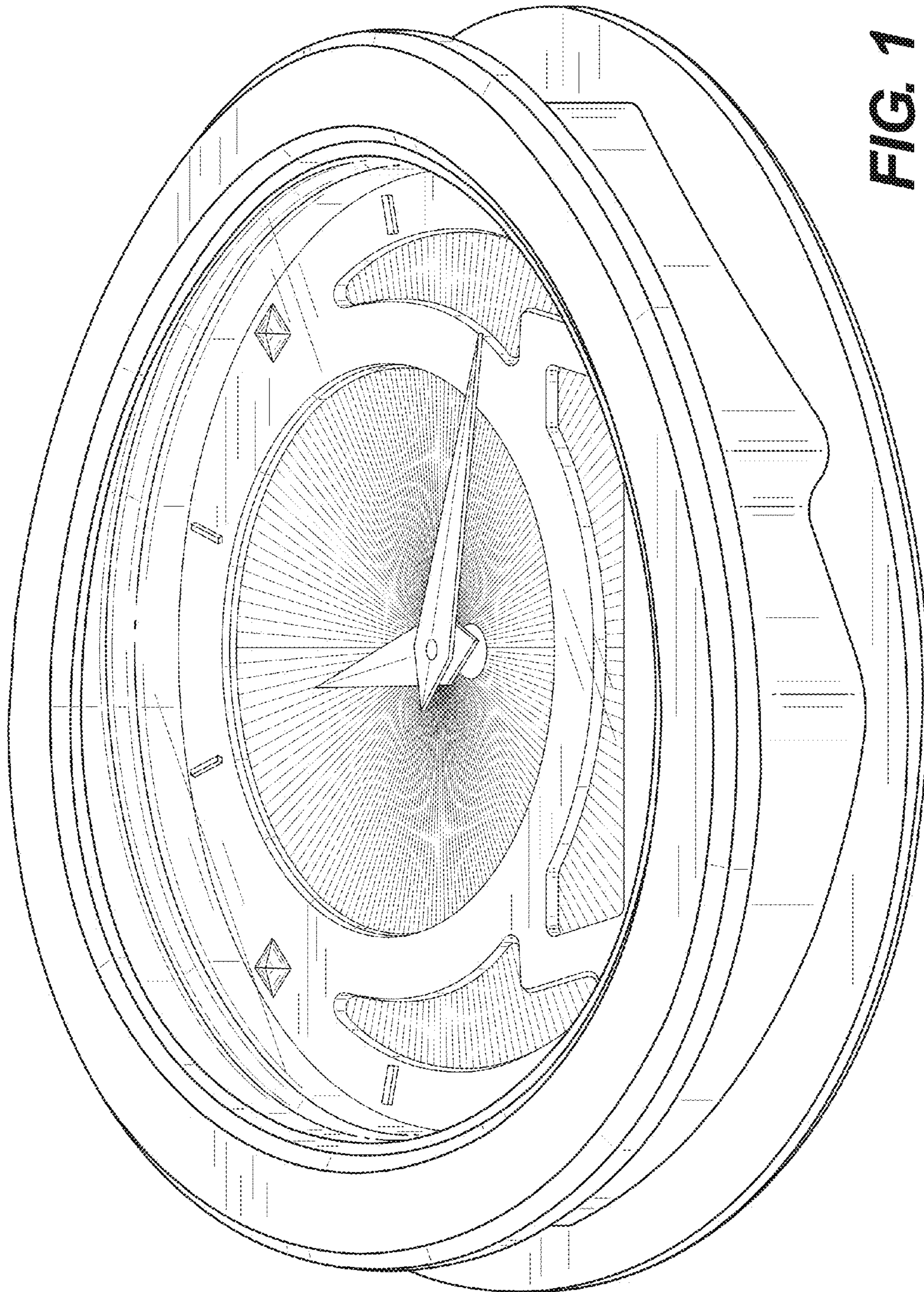


FIG. 1

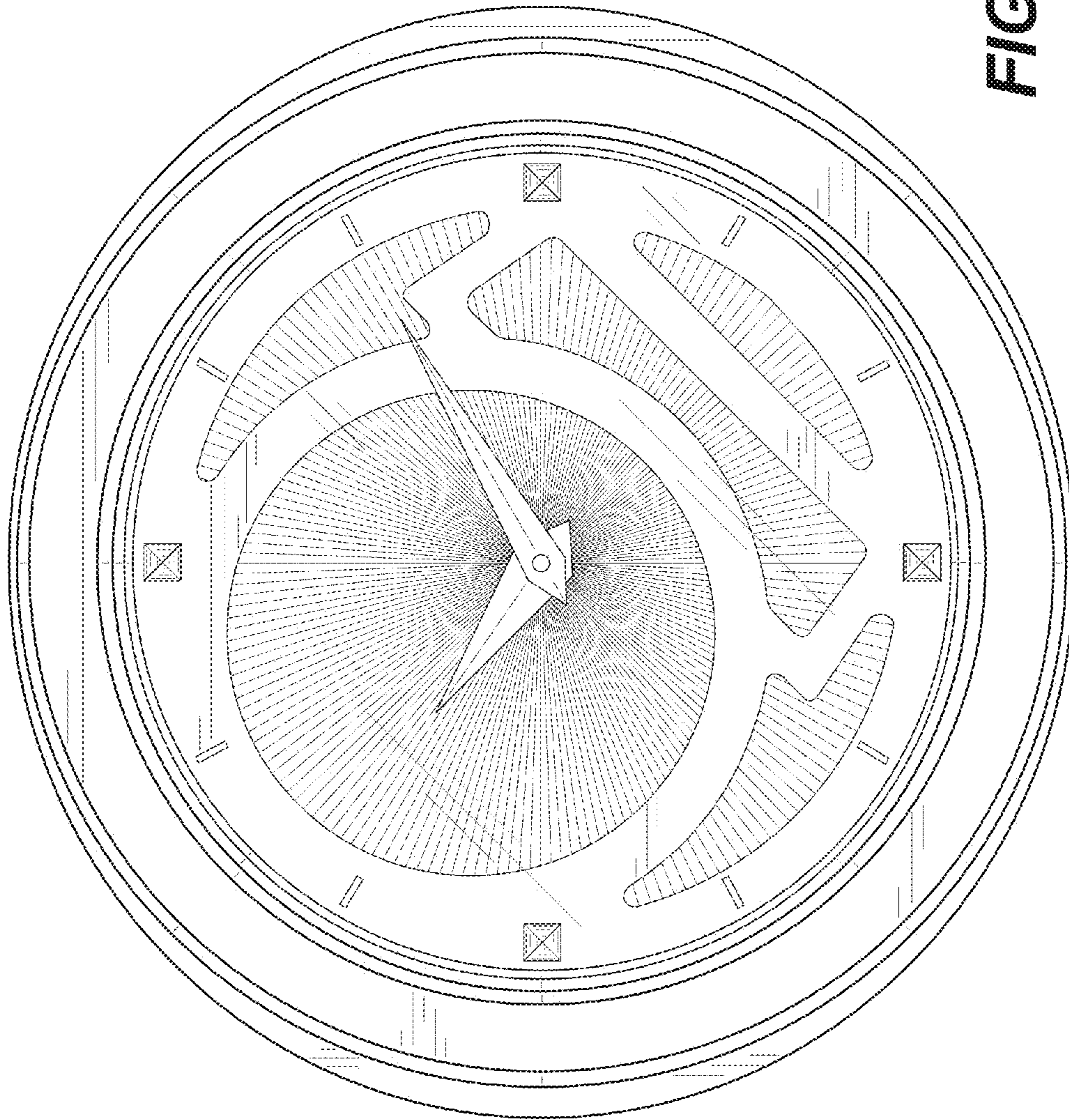


FIG. 2

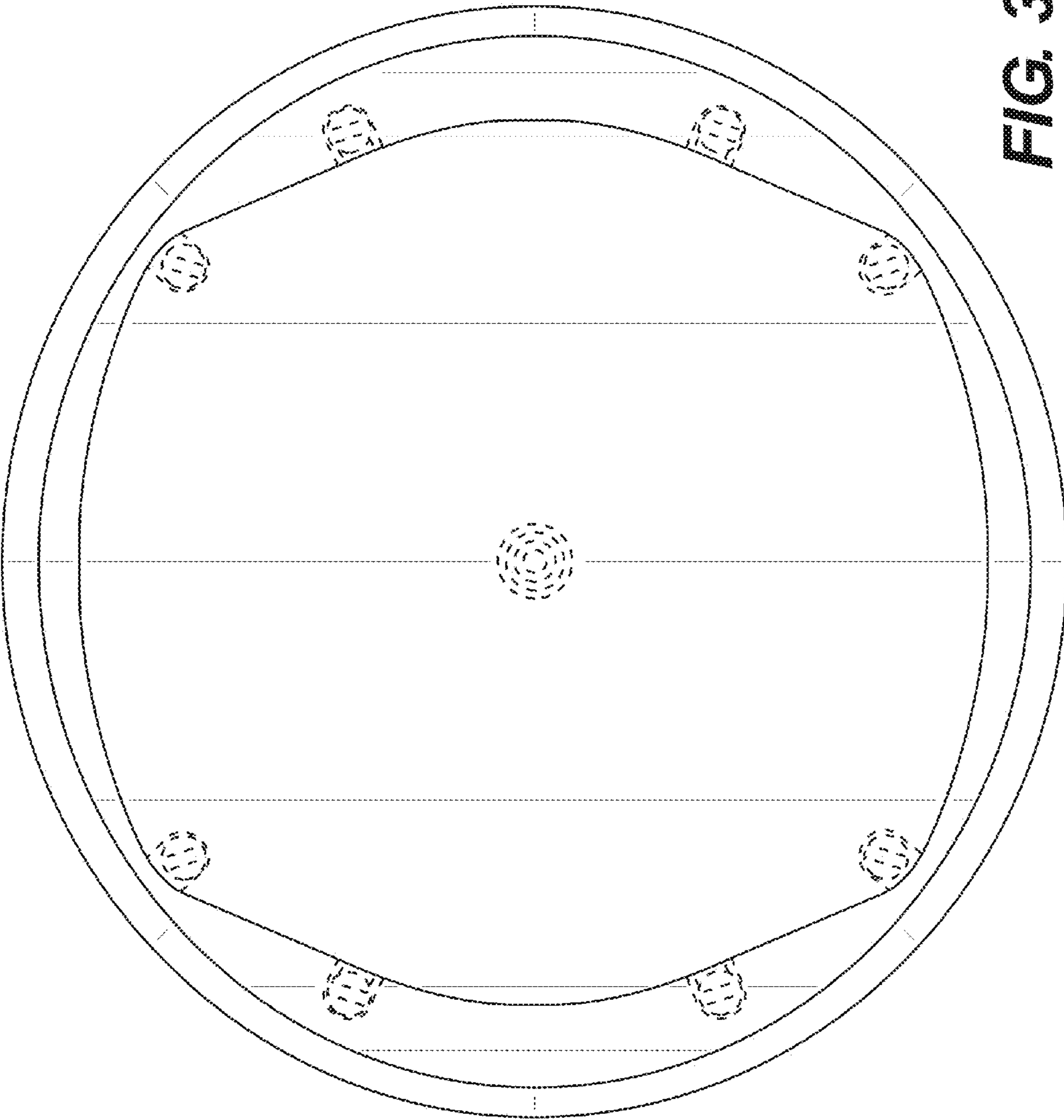


FIG. 3

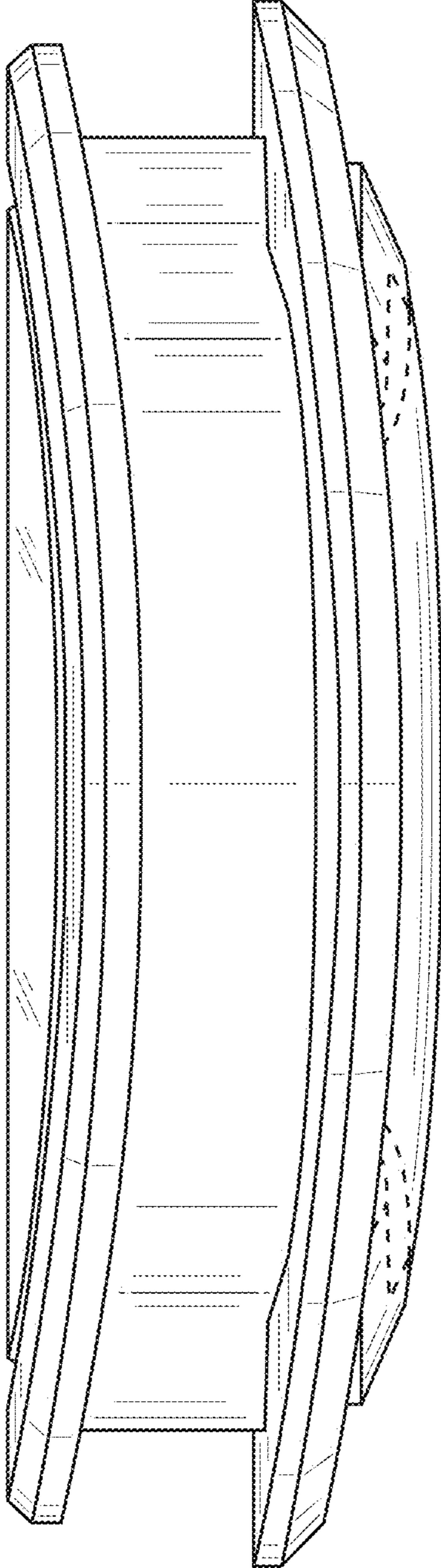


FIG. 4

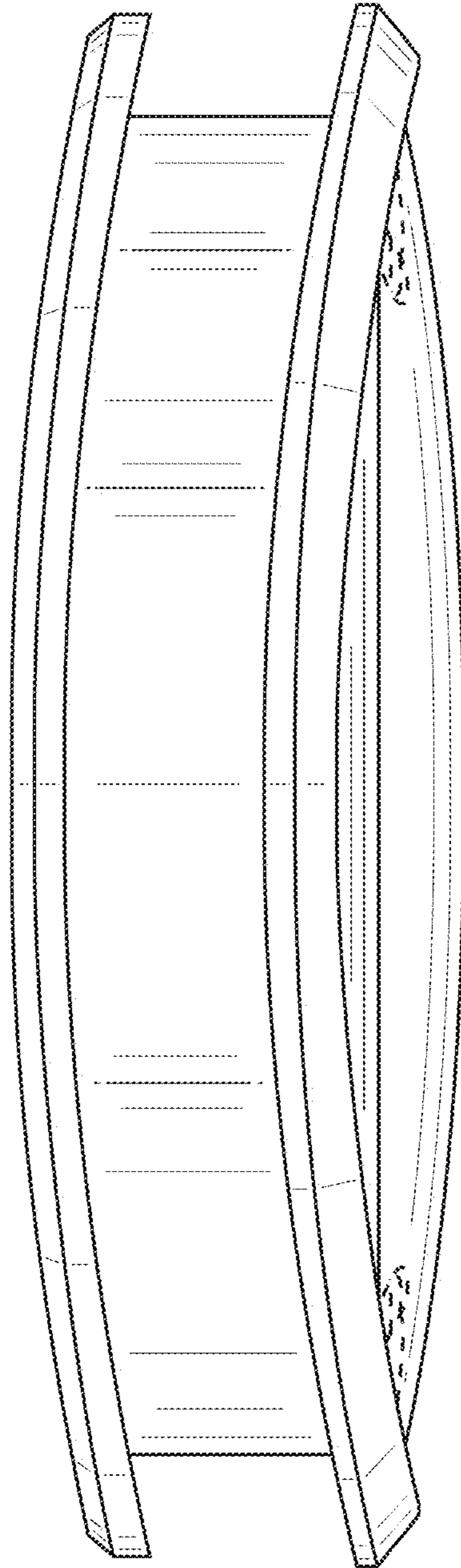


FIG. 5

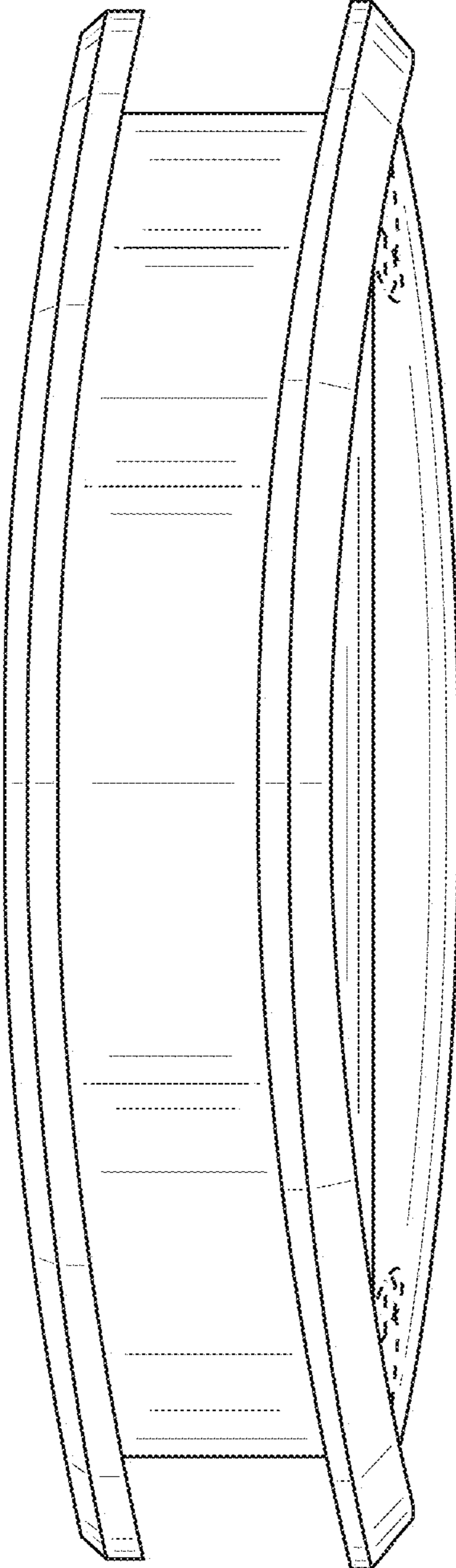


FIG. 6

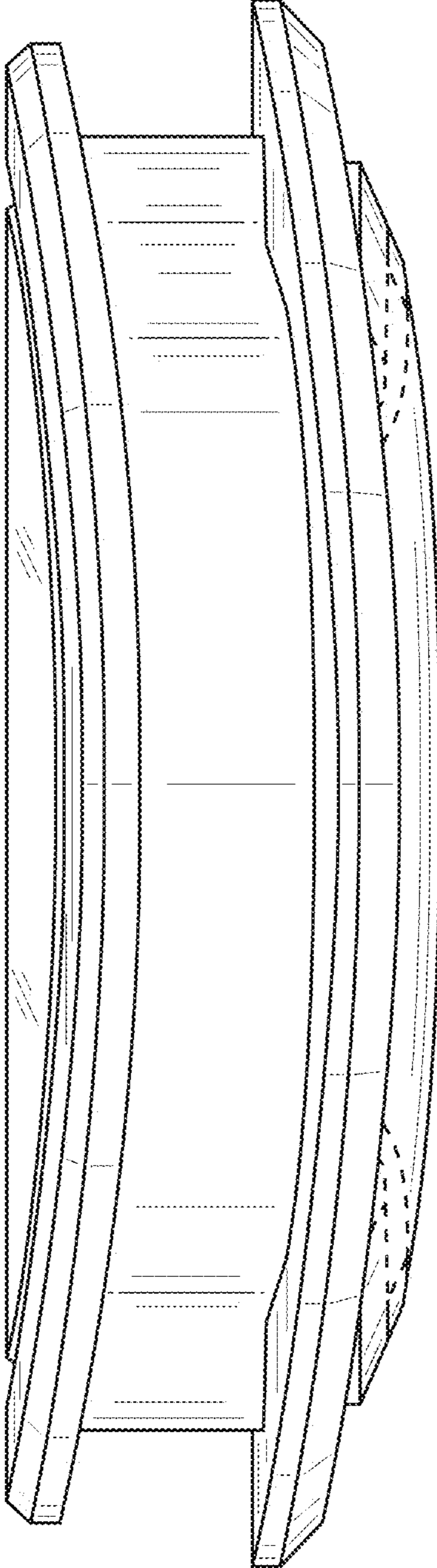


FIG. 7