



US00D762491S

(12) **United States Design Patent**  
**Okazaki et al.**

(10) **Patent No.:** **US D762,491 S**

(45) **Date of Patent:** **\*\* Aug. 2, 2016**

(54) **WRIST WATCH**

(71) Applicants: **CITIZEN HOLDINGS CO., LTD.**,  
Tokyo (JP); **CITIZEN WATCH CO., LTD.**,  
Tokyo (JP)

(72) Inventors: **Toshinori Okazaki**, Nishitokyo (JP);  
**Haruya Ohba**, Kawagoe (JP)

(73) Assignees: **CITIZEN HOLDINGS CO., LTD.**,  
Tokyo (JP); **CITIZEN WATCH CO., LTD.**,  
Tokyo (JP)

(\*\*) Term: **14 Years**

(21) Appl. No.: **29/520,653**

(22) Filed: **Mar. 17, 2015**

(51) **LOC (10) Cl.** ..... **10-02**

(52) **U.S. Cl.**  
USPC ..... **D10/39; D10/126**

(58) **Field of Classification Search**  
USPC ..... D10/30-39, 1-29, 122-132  
CPC ..... G04B 1/12; G04B 3/00; G04B 3/001;  
G04B 3/043; G04B 17/00; G04B 17/0066;  
G04B 19/00; G04B 19/06; G04B 19/065;  
G04B 19/22; G04B 19/221; G04B 19/223;  
G04B 19/283; G04C 3/00; G04C 3/005;  
G04C 3/14; G04C 3/146; G04F 7/00; G04F  
7/08; G04F 7/0823; G04F 7/0842; G04F  
7/0871; G04F 7/0889; G04F 8/00; G04G  
9/00; G04G 9/0076

See application file for complete search history.

(56) **References Cited**

**U.S. PATENT DOCUMENTS**

- 4,815,051 A \* 3/1989 Schmidli ..... G04C 17/0066  
368/35
- 5,119,349 A \* 6/1992 Muto ..... G04C 17/00  
368/107
- D506,936 S \* 7/2005 Takahashi ..... D10/32
- D510,538 S \* 10/2005 Baden ..... D10/126

- D521,879 S \* 5/2006 Tonohori ..... D10/31
- D524,171 S \* 7/2006 Monachon ..... D10/32
- D549,598 S 8/2007 Yoshikawa
- D552,490 S 10/2007 Laucella
- 7,307,916 B2 \* 12/2007 Vogt ..... G04B 19/283  
368/21
- D562,716 S \* 2/2008 Kume ..... D10/126
- D593,880 S \* 6/2009 Laucella ..... D10/39
- D598,318 S 8/2009 Behling
- 7,656,752 B2 \* 2/2010 Arita ..... G04B 19/065  
368/223
- D703,554 S \* 4/2014 Emmenegger ..... D10/32
- D707,138 S 6/2014 Kamata
- D708,966 S \* 7/2014 Lasserre ..... D10/39
- D715,660 S \* 10/2014 Inoue ..... D10/39

**OTHER PUBLICATIONS**

WODM/069916 International Design Application (Montres Breguet S.A.) May 31, 2008, [database online], [retrieved on Feb. 16, 2015] Retrieved from the Hague Express Database of WIPO using Internet <URL:http://www.wipo.int/designdb/hague/en/>.

\* cited by examiner

*Primary Examiner* — Martie K Holtje

(74) *Attorney, Agent, or Firm* — Ratnerprestia

(57) **CLAIM**

The ornamental design for a wrist watch, as shown and described.

**DESCRIPTION**

FIG. 1 is a perspective view of a wrist watch showing our new design;

FIG. 2 is a front elevational view thereof, drawn to a reduced scale with respect to FIG. 1;

FIG. 3 is a left side elevational view of FIG. 2;

FIG. 4 is a right side elevational view of FIG. 2;

FIG. 5 is a rear elevational view of FIG. 2;

FIG. 6 is a top plan view of FIG. 2; and,

FIG. 7 is a bottom plan view of FIG. 2.

The broken lines in FIG. 5 represent an unclaimed boundary, the area within which forms no part of the claimed design.

**1 Claim, 4 Drawing Sheets**



FIG. 1



FIG. 2

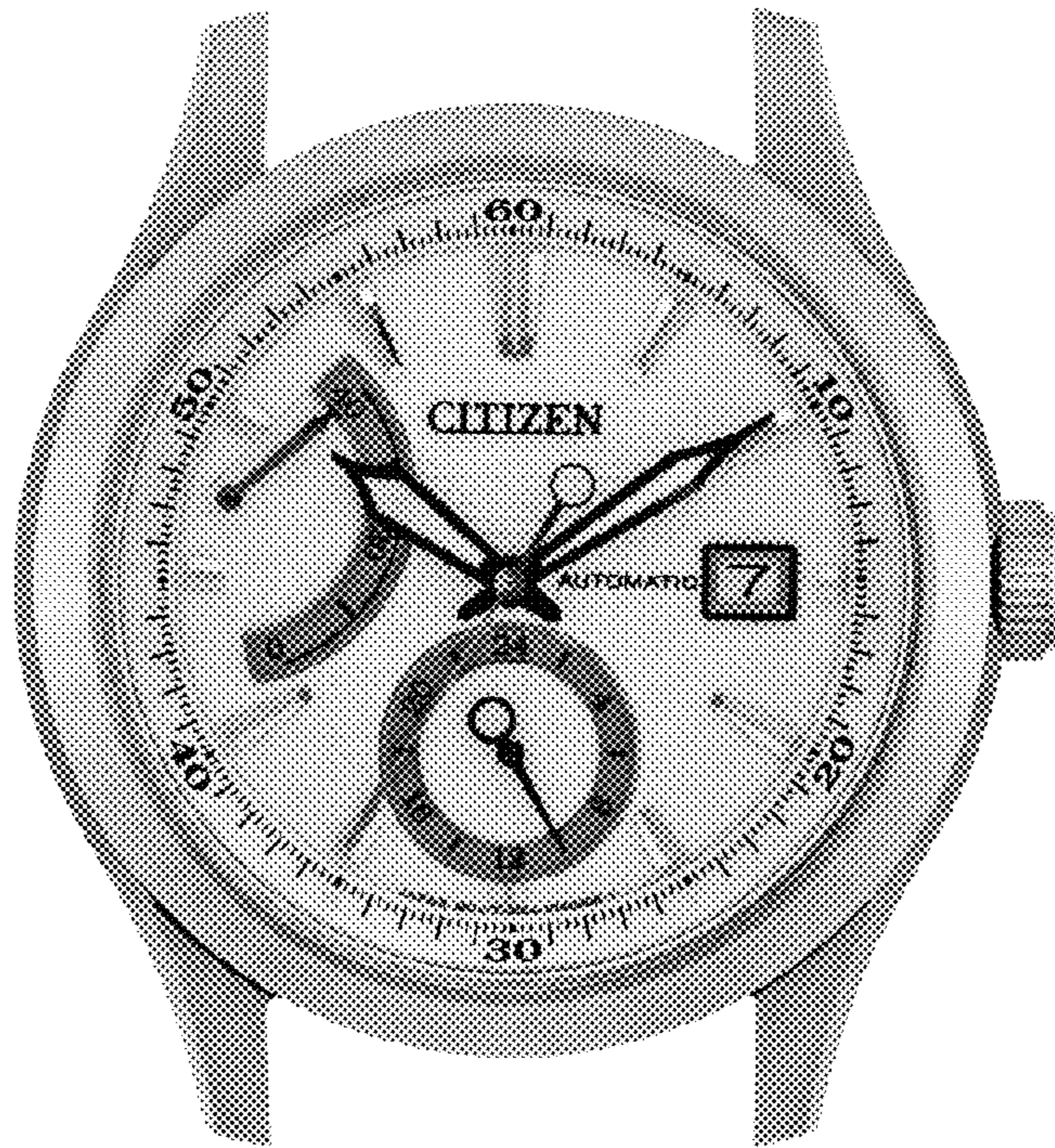


FIG. 3

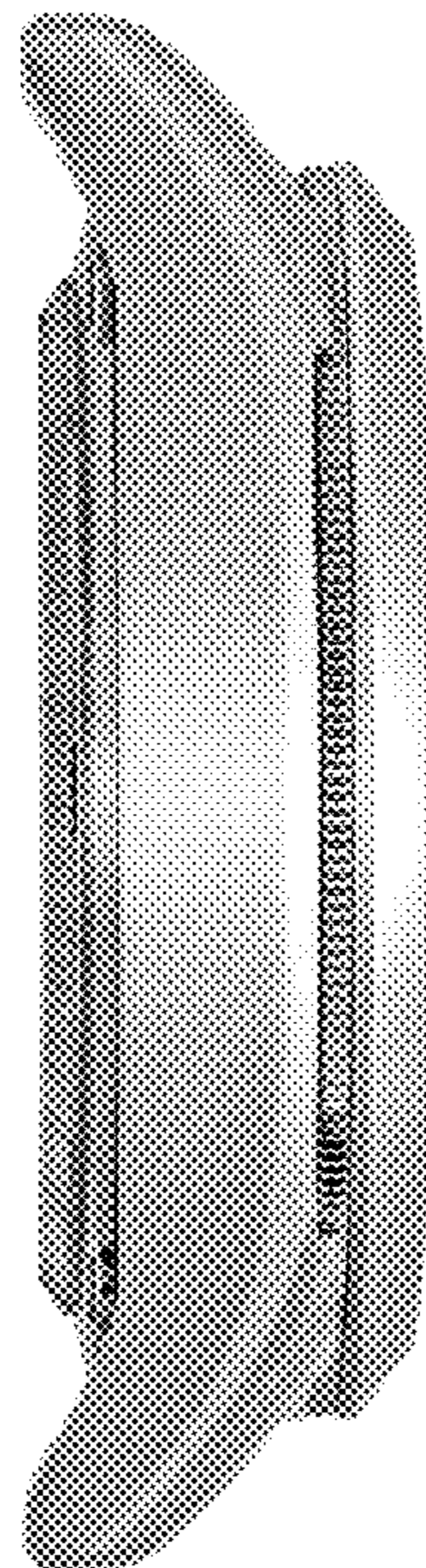


FIG. 4

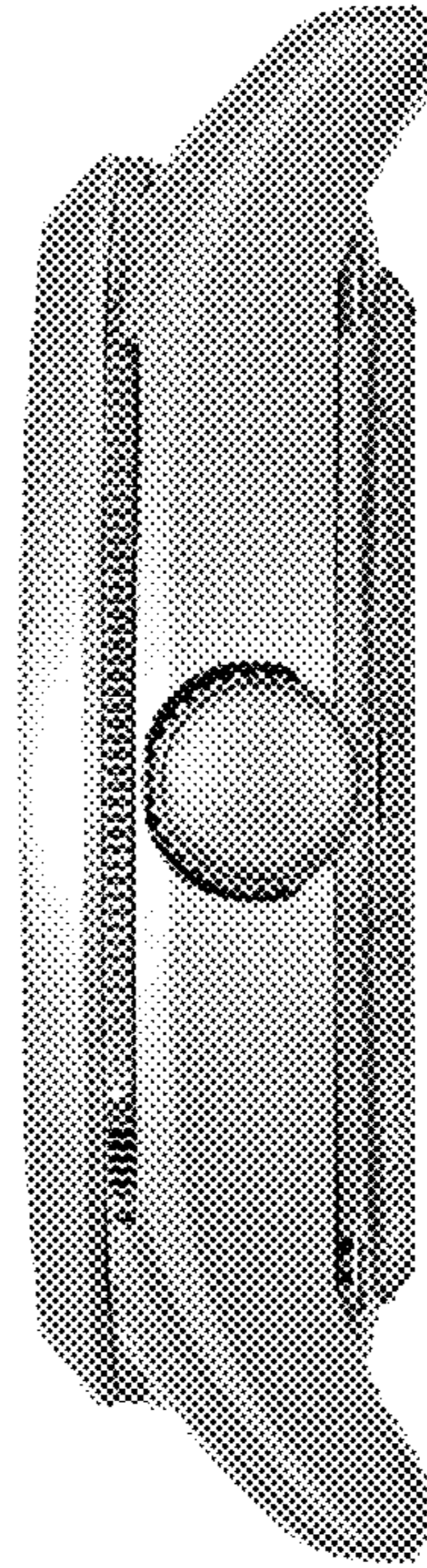


FIG. 5

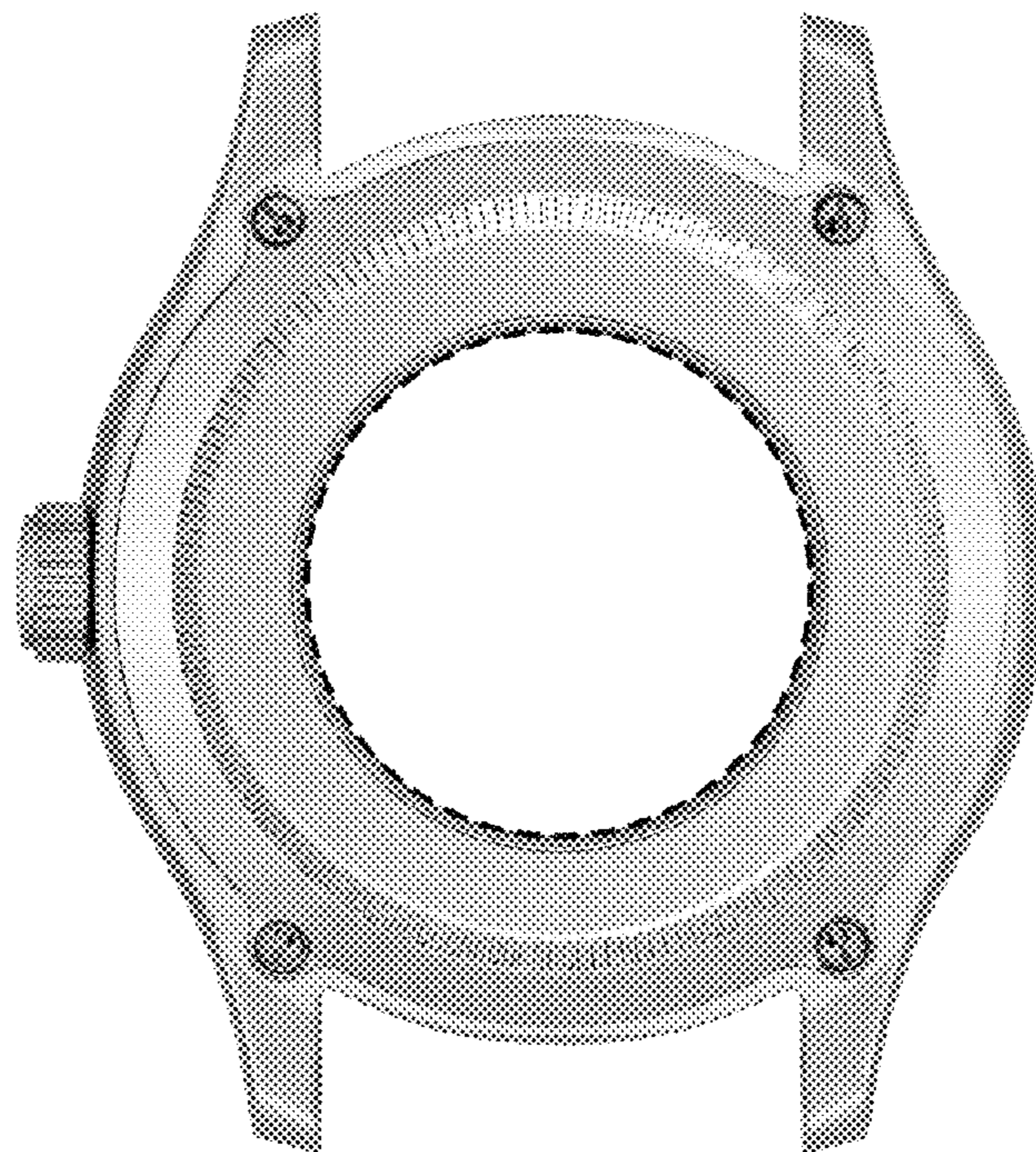


FIG. 6

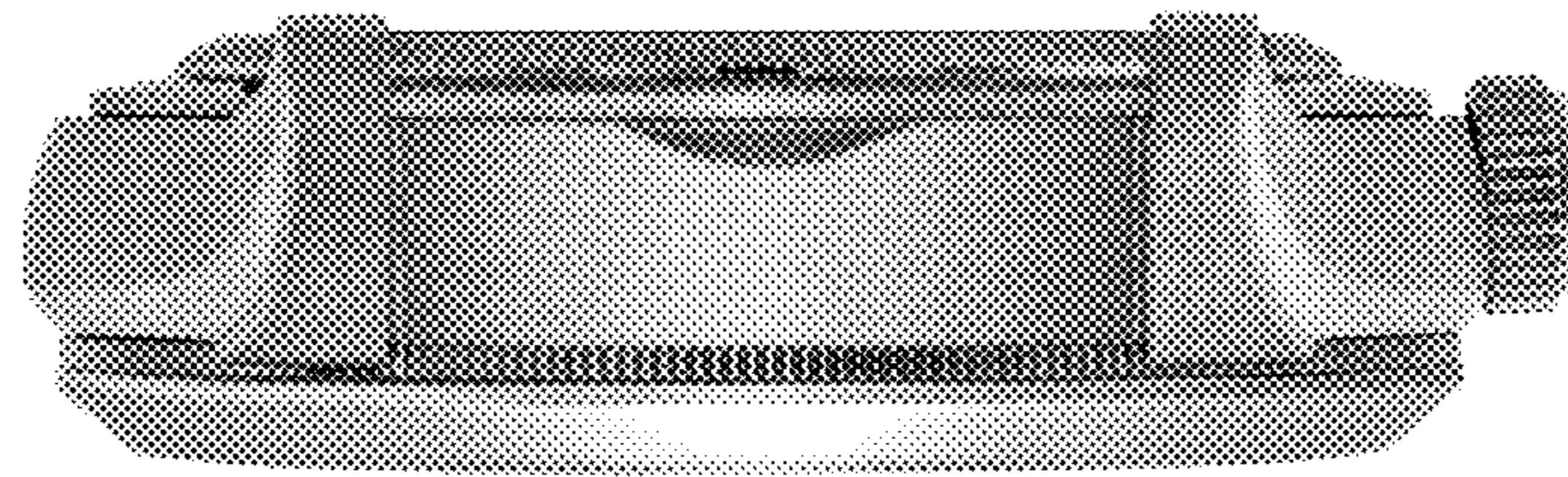


FIG. 7

