



US00D762487S

(12) **United States Design Patent**  
**Safiullin**

(10) **Patent No.:** **US D762,487 S**  
(45) **Date of Patent:** **\*\* Aug. 2, 2016**

- (54) **DUAL CHAMBER PACKAGING**
- (71) Applicant: **Sergei Safiullin**, Hollywood, FL (US)
- (72) Inventor: **Sergei Safiullin**, Hollywood, FL (US)
- (73) Assignee: **Sergei Safiullin**, Izhevsk (RU)
- (\*\*) Term: **14 Years**
- (21) Appl. No.: **29/523,192**
- (22) Filed: **Apr. 7, 2015**
- (51) **LOC (10) Cl.** ..... **09-03**
- (52) **U.S. Cl.**  
USPC ..... **D9/756**
- (58) **Field of Classification Search**  
USPC ..... D9/762, 757, 737, 761, 420-426, 432,  
D9/418, 415, 501, 72, 739, 742, 753, 756,  
D9/741, 414, 416; D7/611, 550.1, 605,  
D7/701, 553.1, 553.2, 614; D3/313, 304,  
D3/311, 314, 315, 294, 20, 201,  
D3/203.1-203.3, 203.5, 203.6, 203.8, 205,  
D3/206, 218, 269, 273, 274, 295;  
D24/227; 206/139, 201-203, 427, 265,  
206/504, 518, 519, 524.1, 557, 561, 564,  
206/565, 703, 704, 705, 523, 586, 515, 581,  
206/823, 216, 223, 532; 220/4.26, 4.21,  
220/4.23, 836-839, 810, 244; 229/406,  
229/103.2, 120.02, 120.03, 123.1, 123.2,  
229/123.3, 87.01, 87.06, 87.12-87.19,  
229/92.7; 426/119, 112, 298, 614;  
D11/143, 155, 156; D28/64.1-64.7,  
D28/76-84; D27/172, 100, 101, 183, 186  
CPC ..... A45D 40/22; A45D 40/24; B25H 3/003;  
B25H 3/02; B65D 77/0433; B65D 81/3453  
See application file for complete search history.

3,583,556	A *	6/1971	Wagner	.....	A47B 81/00 206/373
D328,390	S *	8/1992	MacDonald	.....	D3/270
6,021,891	A *	2/2000	Anderson	.....	A45C 11/34 206/214
D446,926	S *	8/2001	Silva	.....	D3/205
D455,005	S *	4/2002	Wolf	.....	D3/205
D496,585	S *	9/2004	McBride	.....	D3/294
D531,798	S *	11/2006	Ringo	.....	D3/273
D548,969	S *	8/2007	Bramley	.....	D21/394
D552,465	S *	10/2007	Ringo	.....	D3/273
D573,459	S *	7/2008	Snider	.....	D3/294
8,033,393	B2 *	10/2011	Baker	.....	A43D 95/12 15/227
D663,520	S *	7/2012	Antler	.....	D3/205
8,342,331	B2 *	1/2013	Ziamba	.....	B65D 83/0463 206/462
D709,364	S *	7/2014	Olsson	.....	D9/432
D713,716	S *	9/2014	Oja	.....	D9/418
D723,742	S *	3/2015	Shteysel	.....	D28/83
D734,535	S *	7/2015	Dyer	.....	D27/189
2010/0089793	A1 *	4/2010	Plassmeyer	.....	A45D 40/24 206/581

\* cited by examiner

*Primary Examiner* — Cathron Brooks  
*Assistant Examiner* — Teddy Falloway  
(74) *Attorney, Agent, or Firm* — Eliezer IP

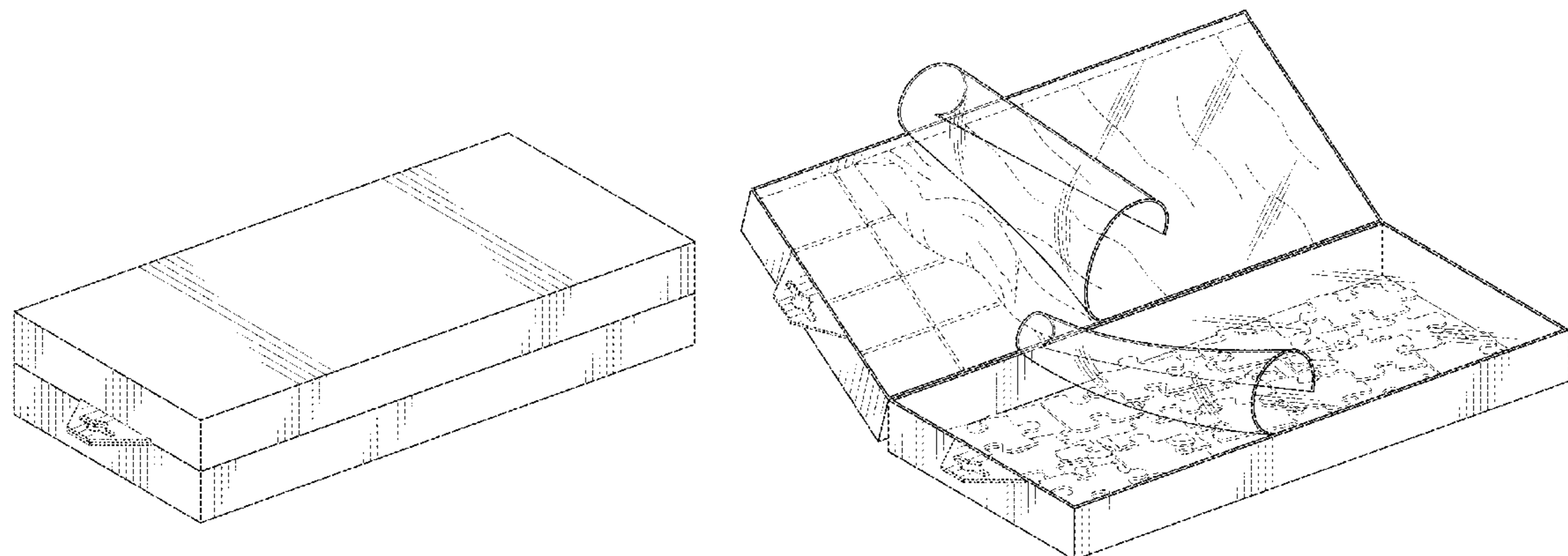
(57) **CLAIM**  
The ornamental design for a dual chamber packaging, as shown.

**DESCRIPTION**

FIG. 1 is a perspective view of a dual chamber packaging showing my new design;  
FIG. 2 is a right side view thereof;  
FIG. 3 is a left side view thereof;  
FIG. 4 is a top view thereof; and  
FIG. 5 is a bottom view thereof;  
FIG. 6 is a front view thereof;  
FIG. 7 is a back view thereof; and,  
FIG. 8 is a perspective view thereof, with the dual chamber packaging shown in an opened position.  
The broken lines illustrate portions of the dual chamber packaging that do not form a part of the claimed design.

**1 Claim, 4 Drawing Sheets**

- (56) **References Cited**  
U.S. PATENT DOCUMENTS  
1,987,496 A \* 1/1935 Springborn ..... A63F 9/1044  
273/157 R  
D218,401 S \* 8/1970 Segel ..... D9/414



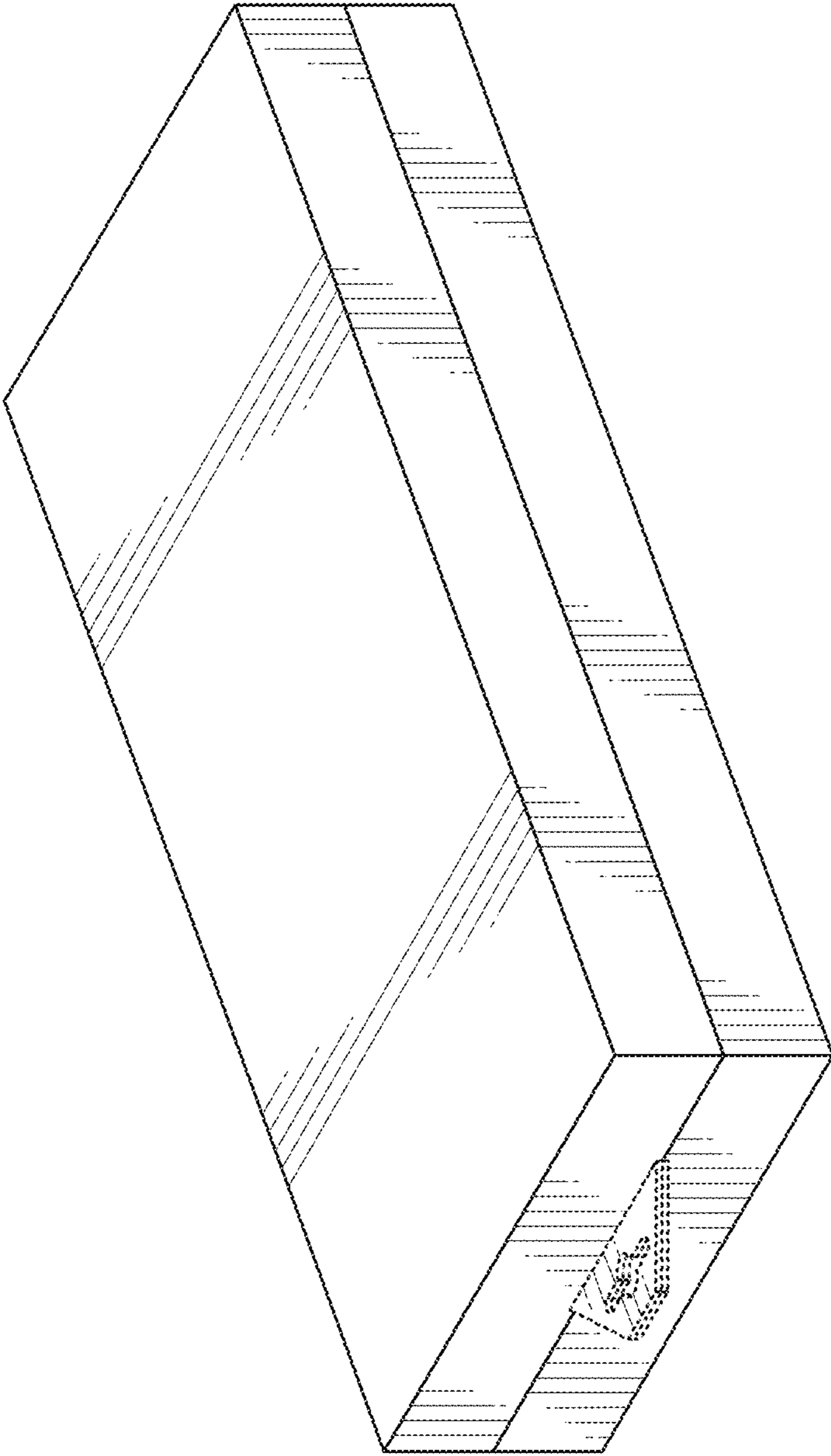


FIG. 1

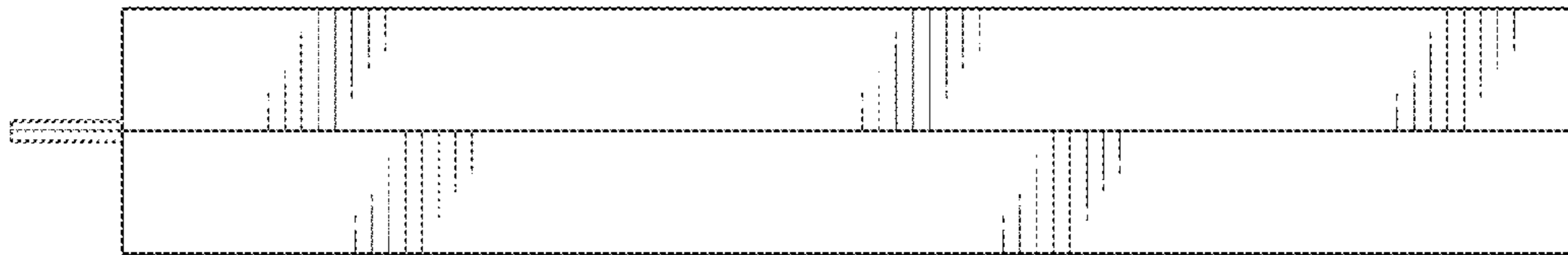


FIG. 2

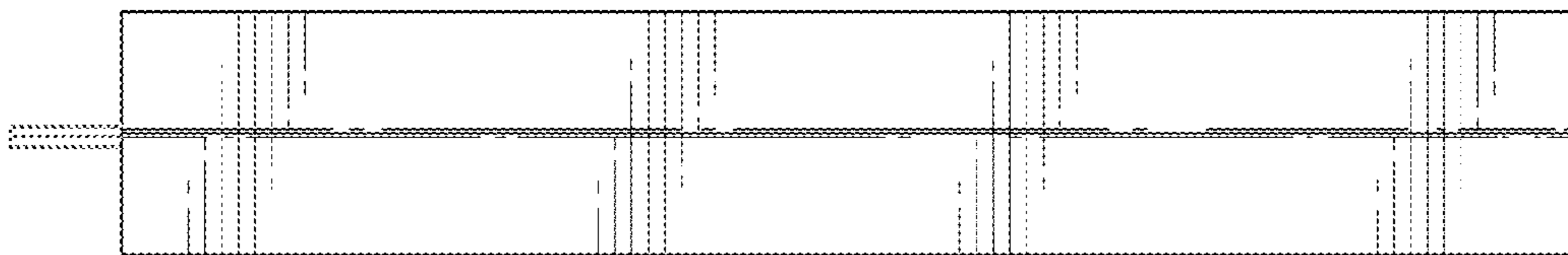


FIG. 3

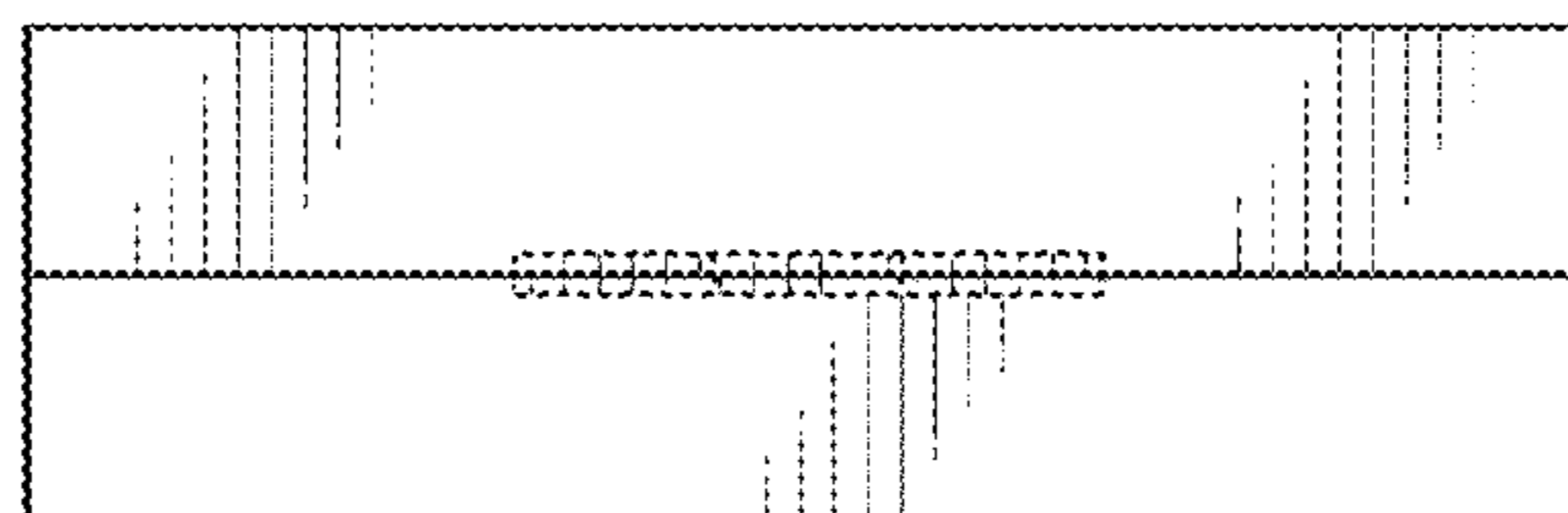


FIG. 4

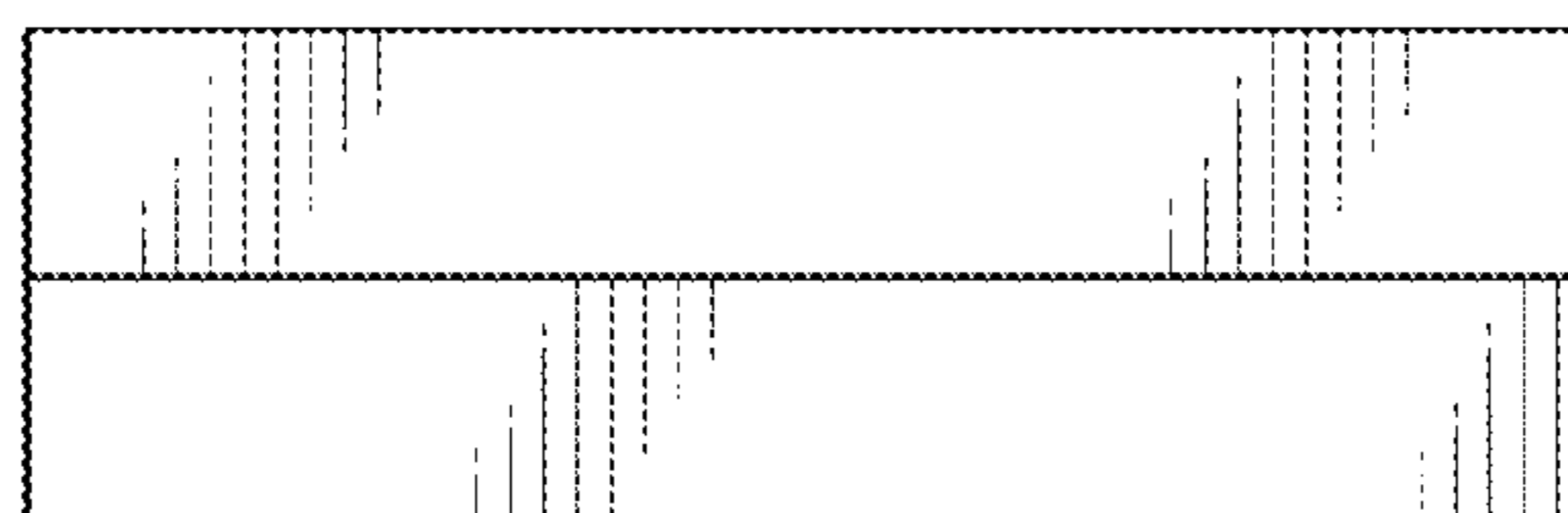


FIG. 5

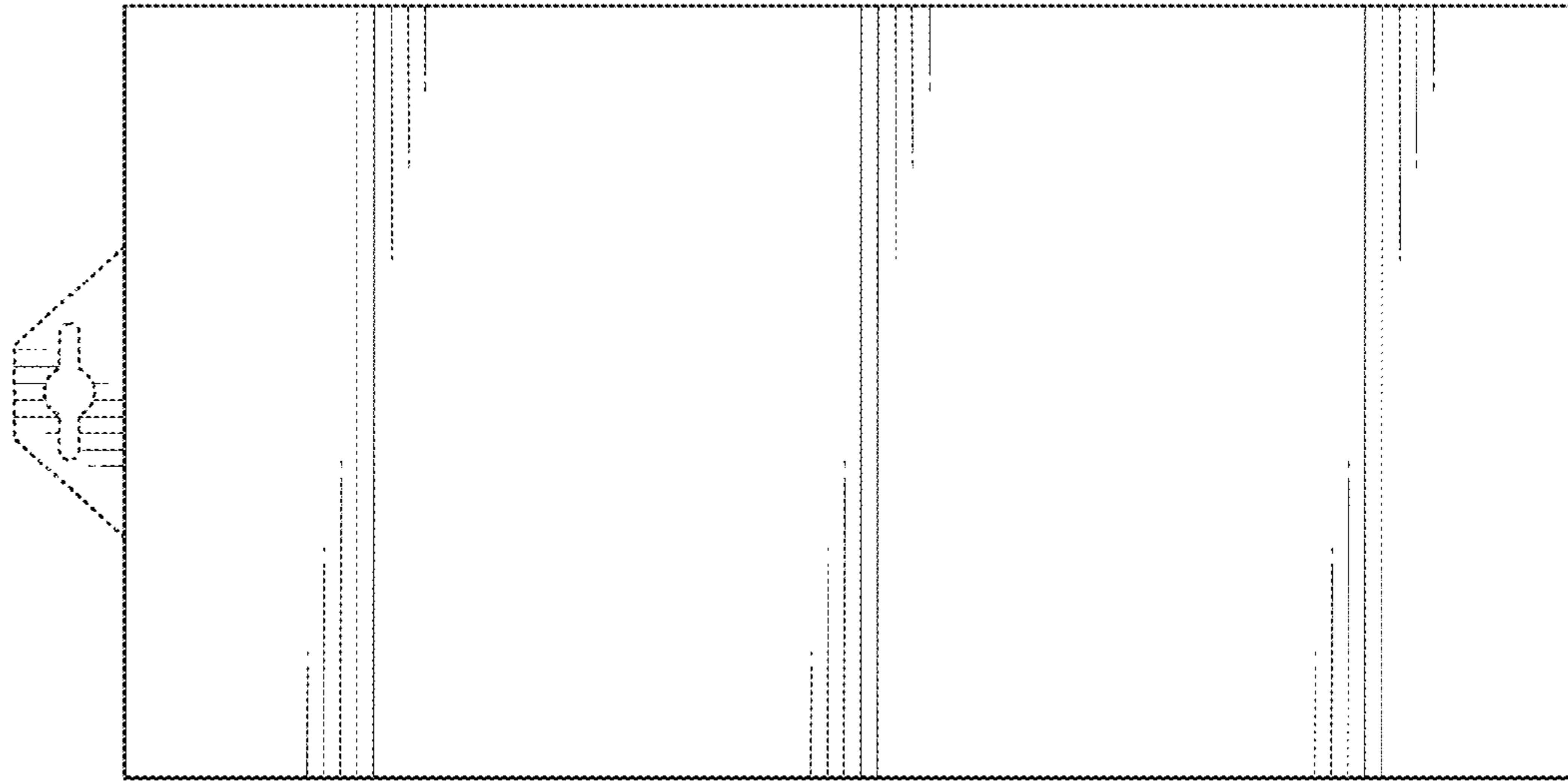


FIG. 6

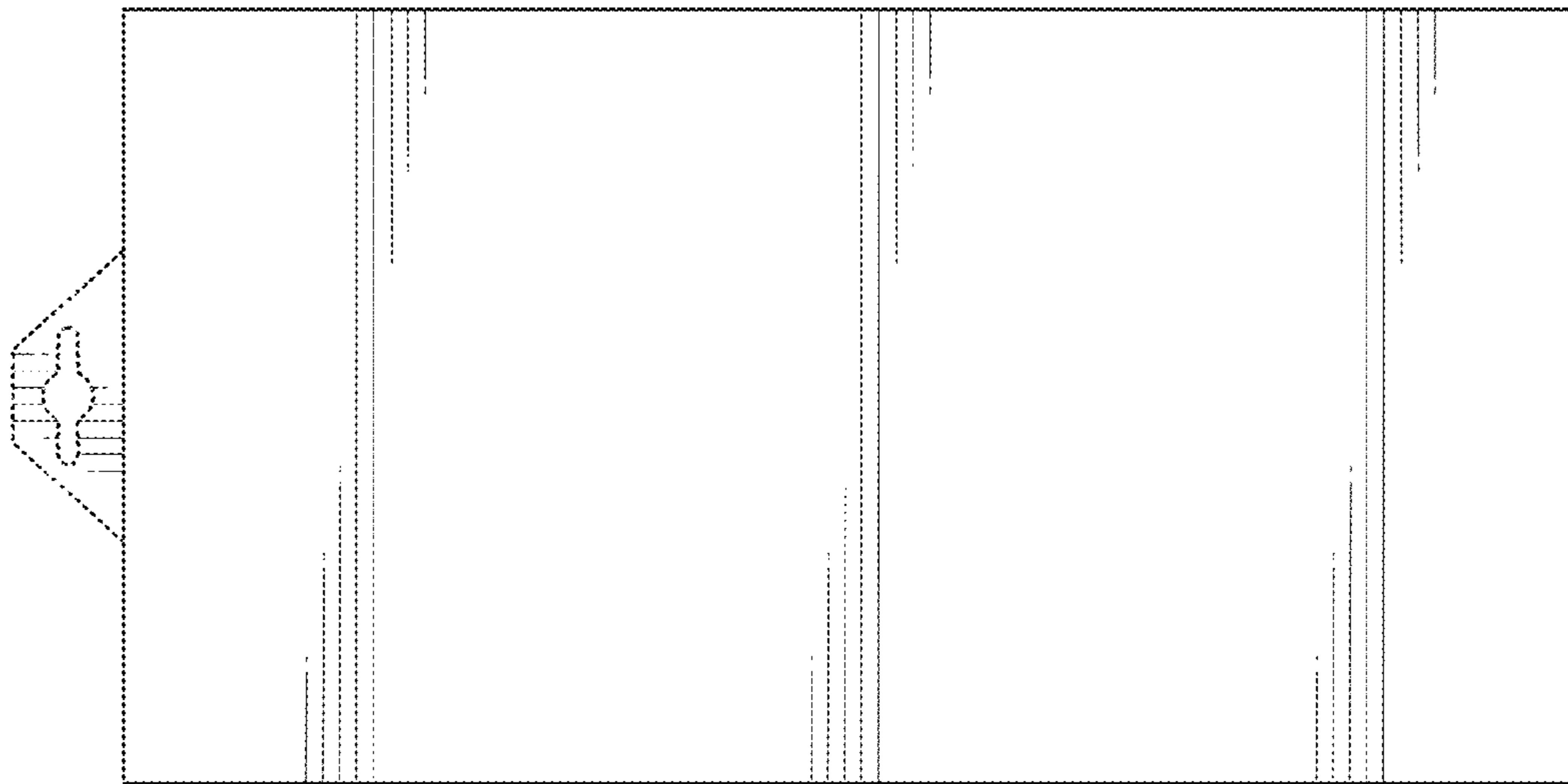


FIG. 7

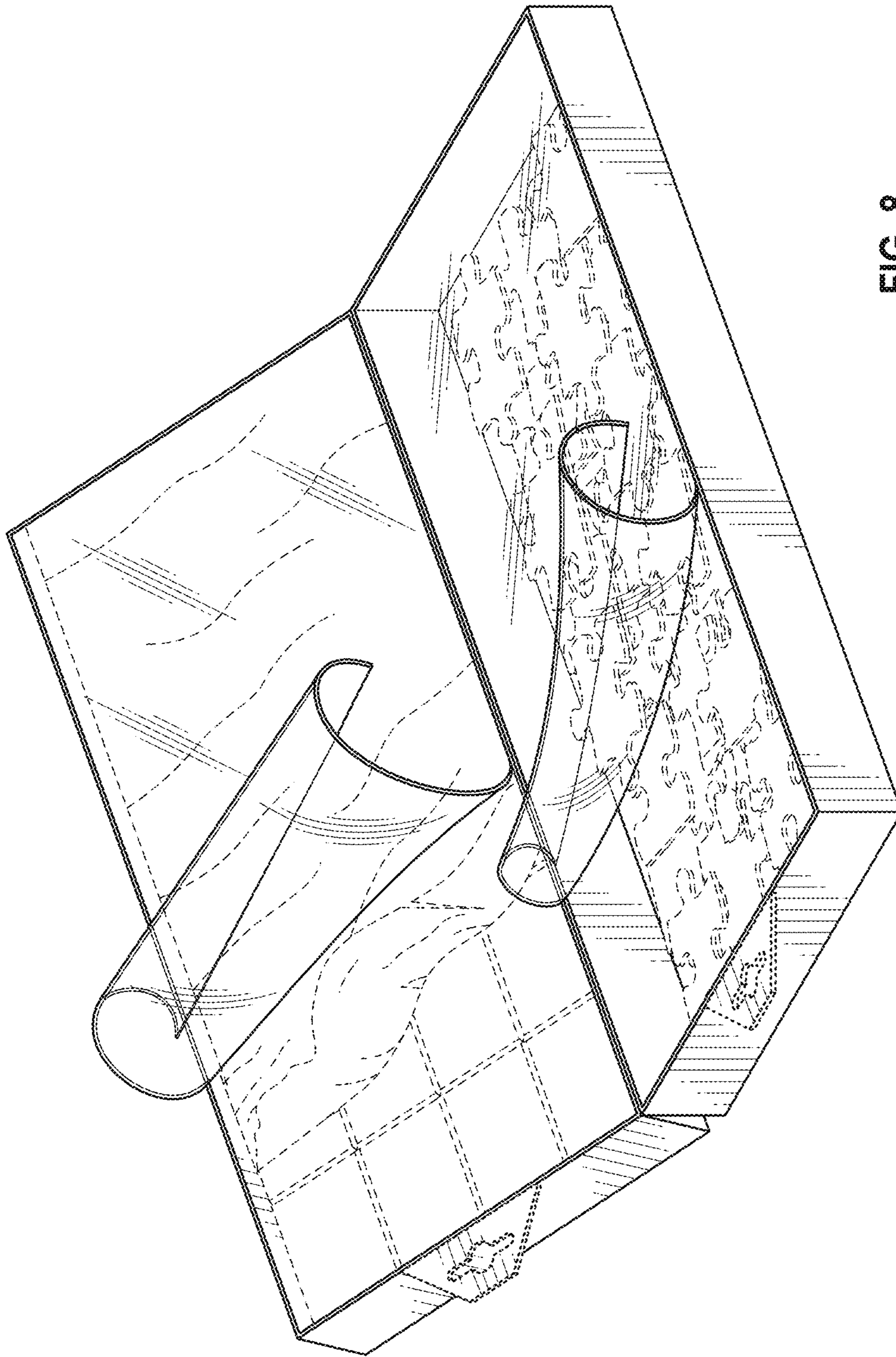


FIG. 8