

US00D762482S

(12) **United States Design Patent**
Giles

(10) **Patent No.:** **US D762,482 S**

(45) **Date of Patent:** **** Aug. 2, 2016**

(54) **SOCCER BOTTLE**

(56) **References Cited**

(71) Applicant: **Carleton J Giles**, Columbia, SC (US)

U.S. PATENT DOCUMENTS

(72) Inventor: **Carleton J Giles**, Columbia, SC (US)

D288,127 S *	2/1987	Simmons	D7/901
D346,309 S *	4/1994	Ocampo	D7/515
D419,058 S *	1/2000	Roth	D7/901
D544,367 S *	6/2007	Calderon-Bautista	D7/901
D545,130 S *	6/2007	Mills	D7/515
D549,107 S *	8/2007	Bourne	D9/538
D691,896 S *	10/2013	Martin	D9/668

(**) Term: **14 Years**

(21) Appl. No.: **29/522,348**

* cited by examiner

(22) Filed: **Mar. 30, 2015**

Primary Examiner — Sandra Morris

(51) **LOC (10) Cl.** **09-01**

(74) *Attorney, Agent, or Firm* — Southeast IP Group, LLC;
Thomas L. Moses

(52) **U.S. Cl.**

USPC **D9/668**

(57) **CLAIM**

The ornamental design for a soccer bottle, as shown and described.

(58) **Field of Classification Search**

DESCRIPTION

USPC D3/270, 271.1–271.4; D7/514–520,
D7/599, 604, 613, 619.2, 623, 628, 901;
D9/600, 668, 500, 502–505, 516,
D9/522–523, 537–546, 549–553, 556–560,
D9/574–575; 206/457, 459.5, 527;
215/381–384, 400; 220/288

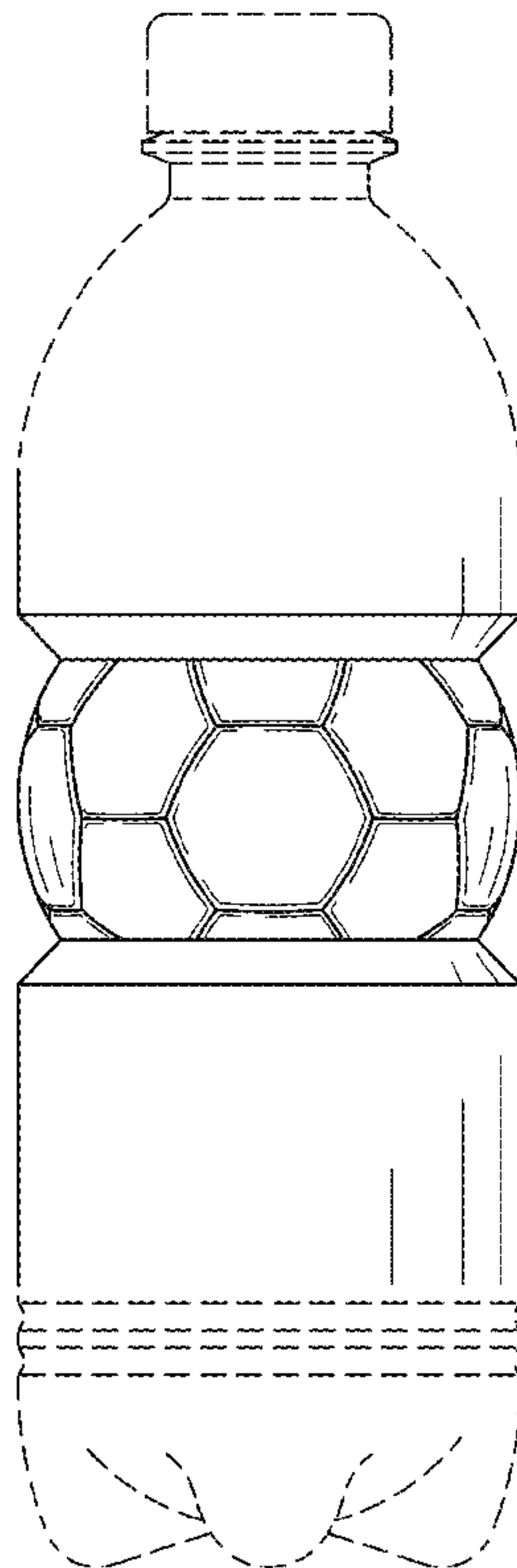
FIG. 1 is a front view of my design for a soccer bottle.
FIG. 2 is a right side view thereof.
FIG. 3 is a left side view thereof.
FIG. 4 is a rear view thereof.
FIG. 5 is a top plan view thereof; and,
FIG. 6 is a bottom plan view thereof.

CPC B65D 5/4258; B65D 81/60; B65D 81/365;
B65D 81/366; B65D 81/368; B65D 2203/00;
B65D 2203/02

The top and bottom of the soccer bottle shown in broken lines illustrates that portion of the article in which the design is embodied that forms no part of the claim.

See application file for complete search history.

1 Claim, 5 Drawing Sheets



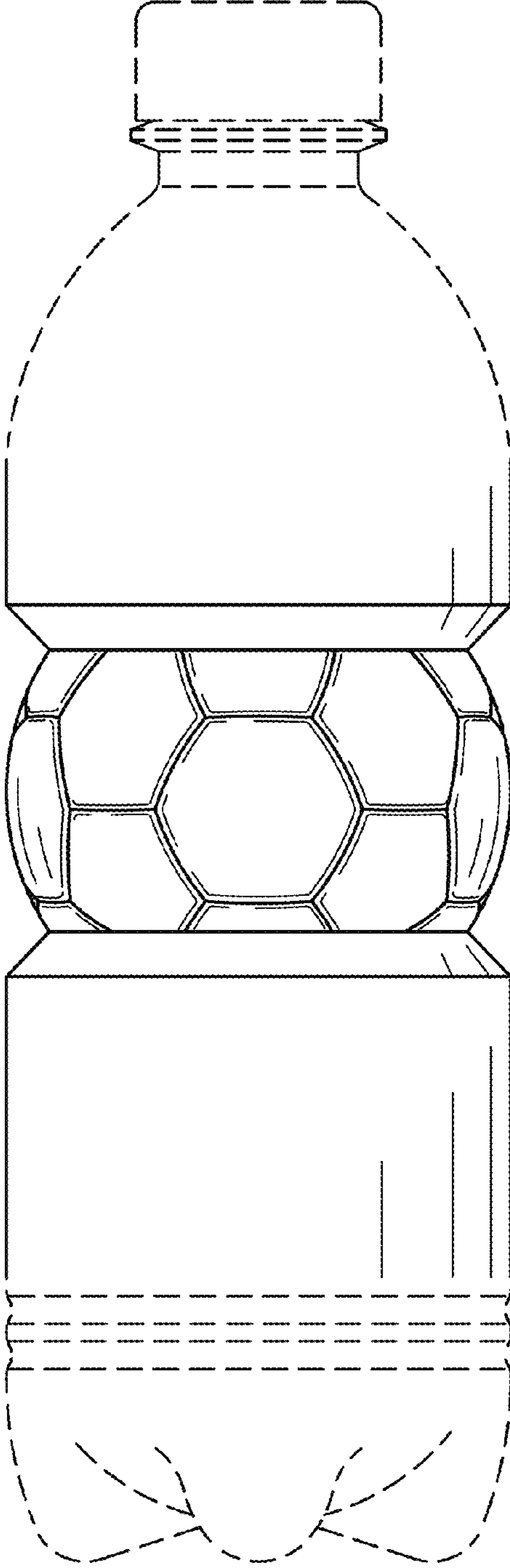


FIG. 1

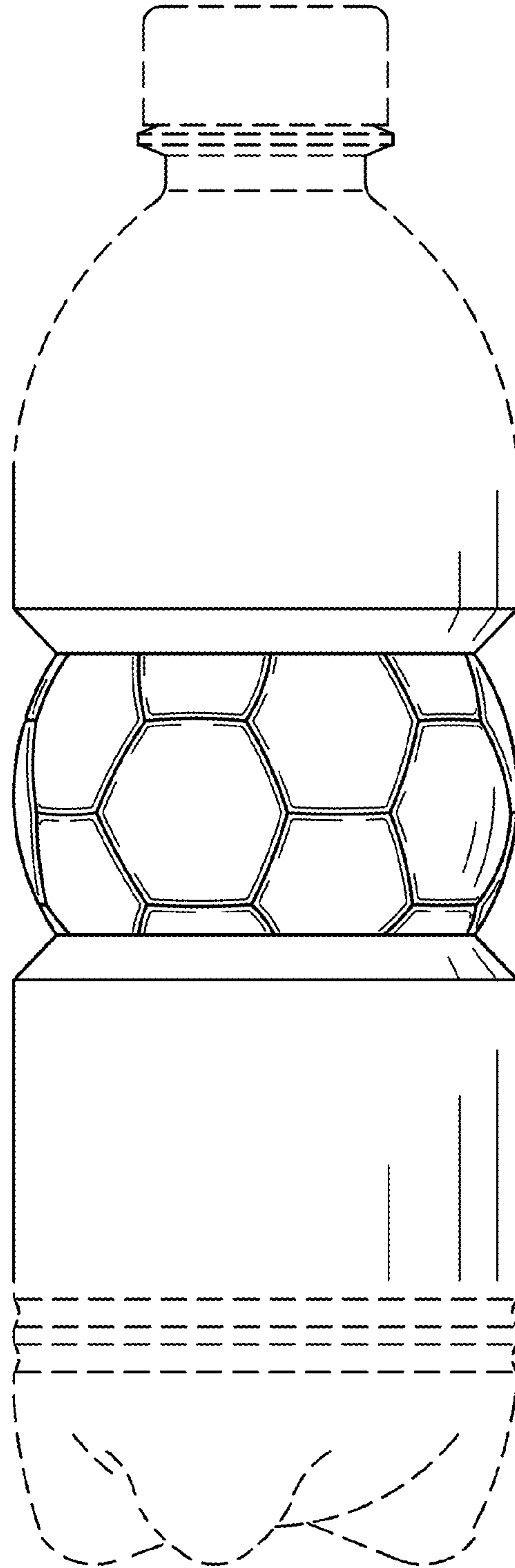


FIG. 2

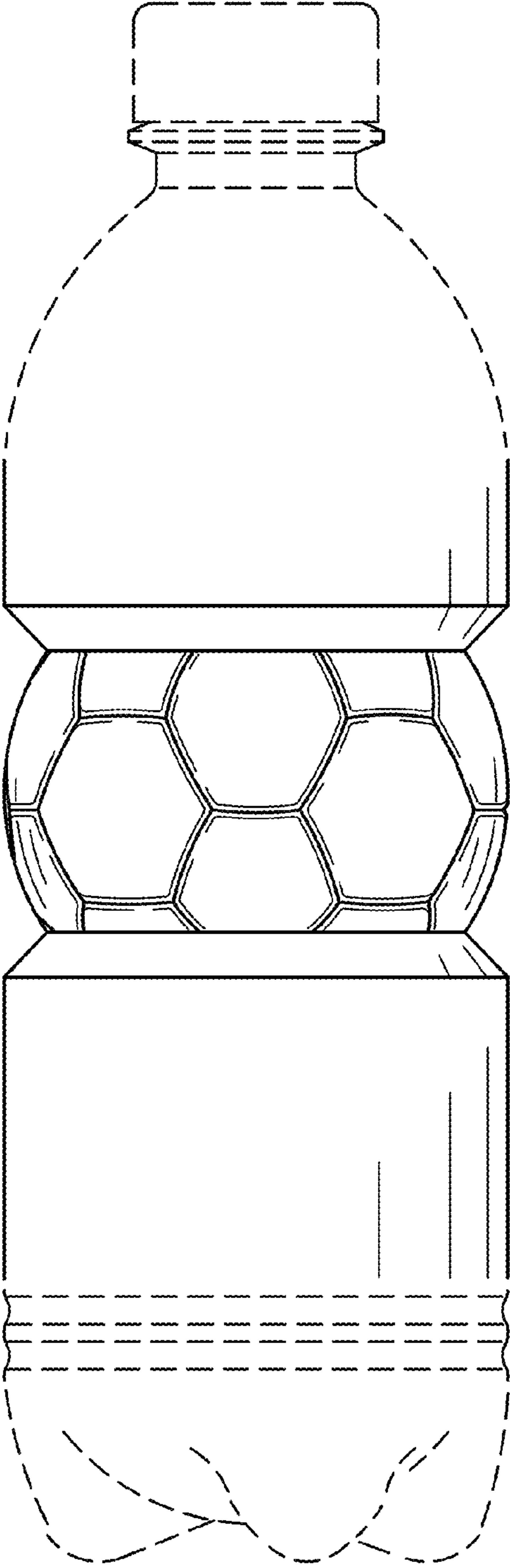


FIG. 3

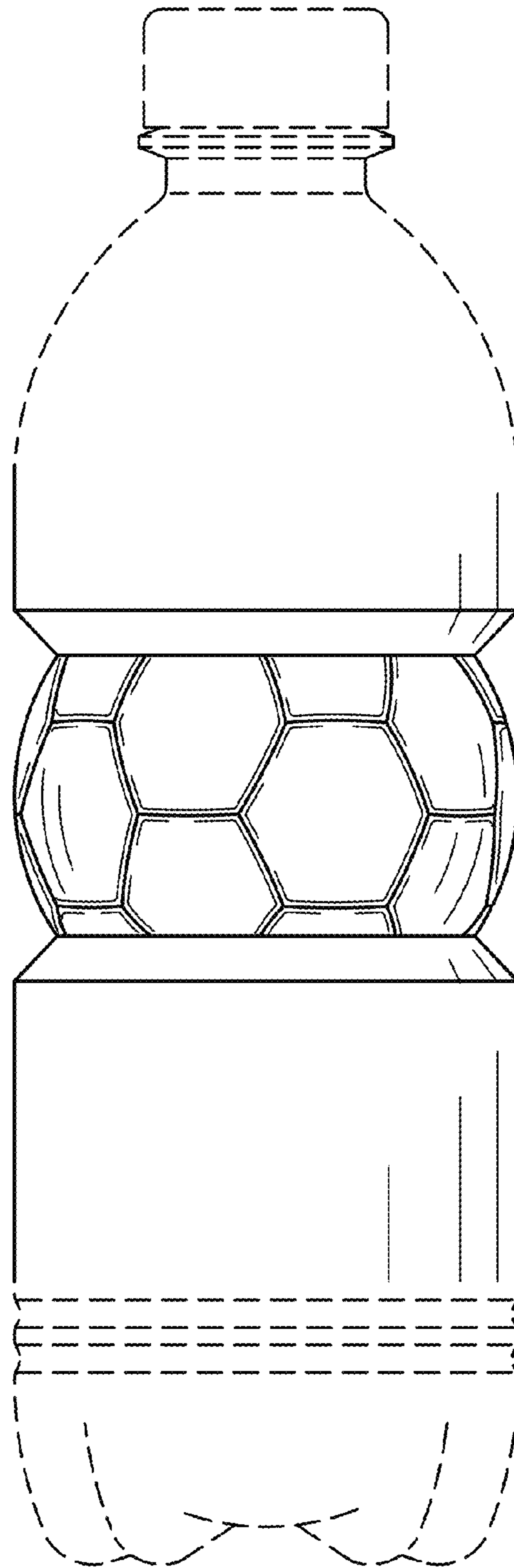


FIG. 4

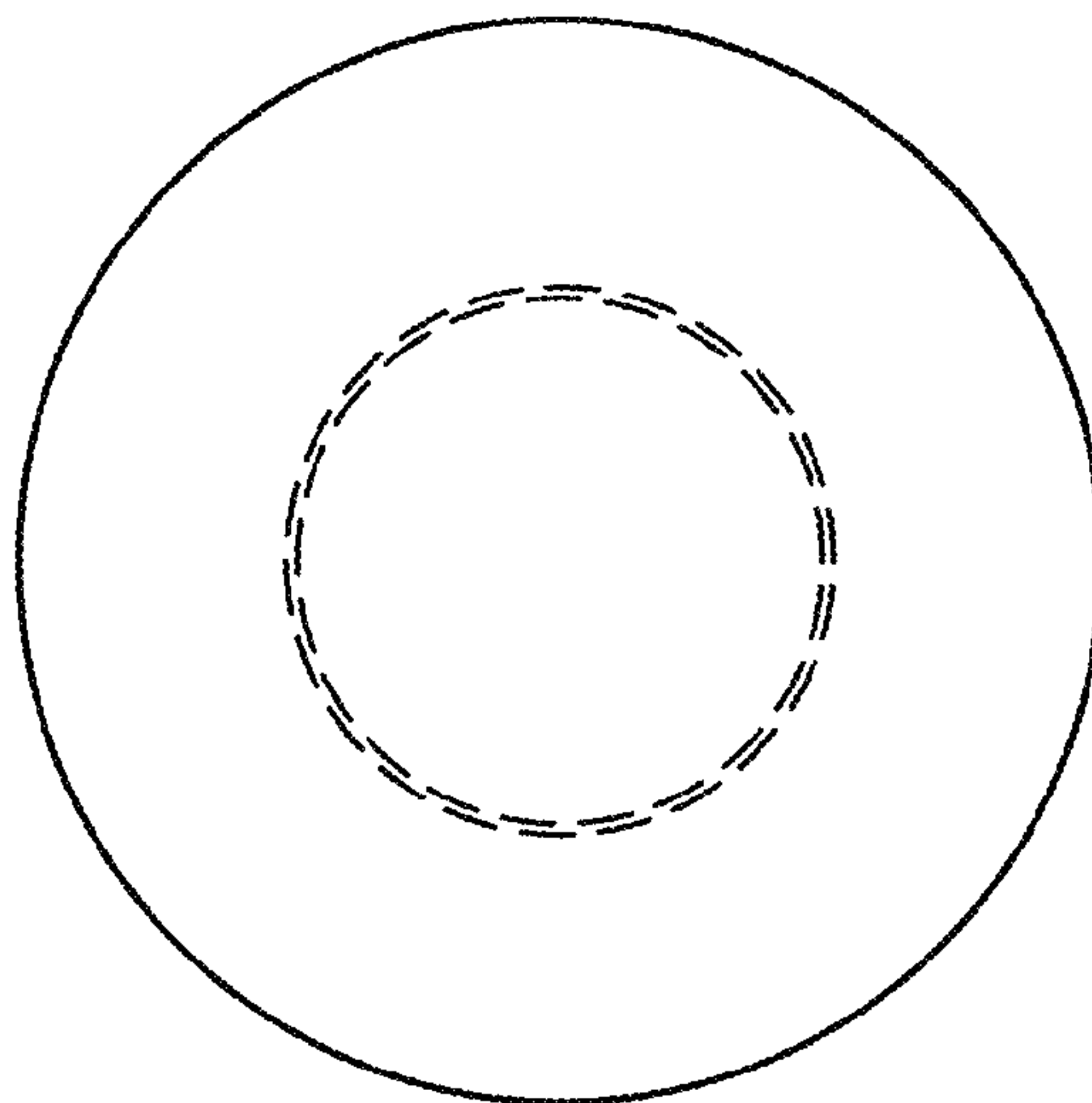


FIG. 5

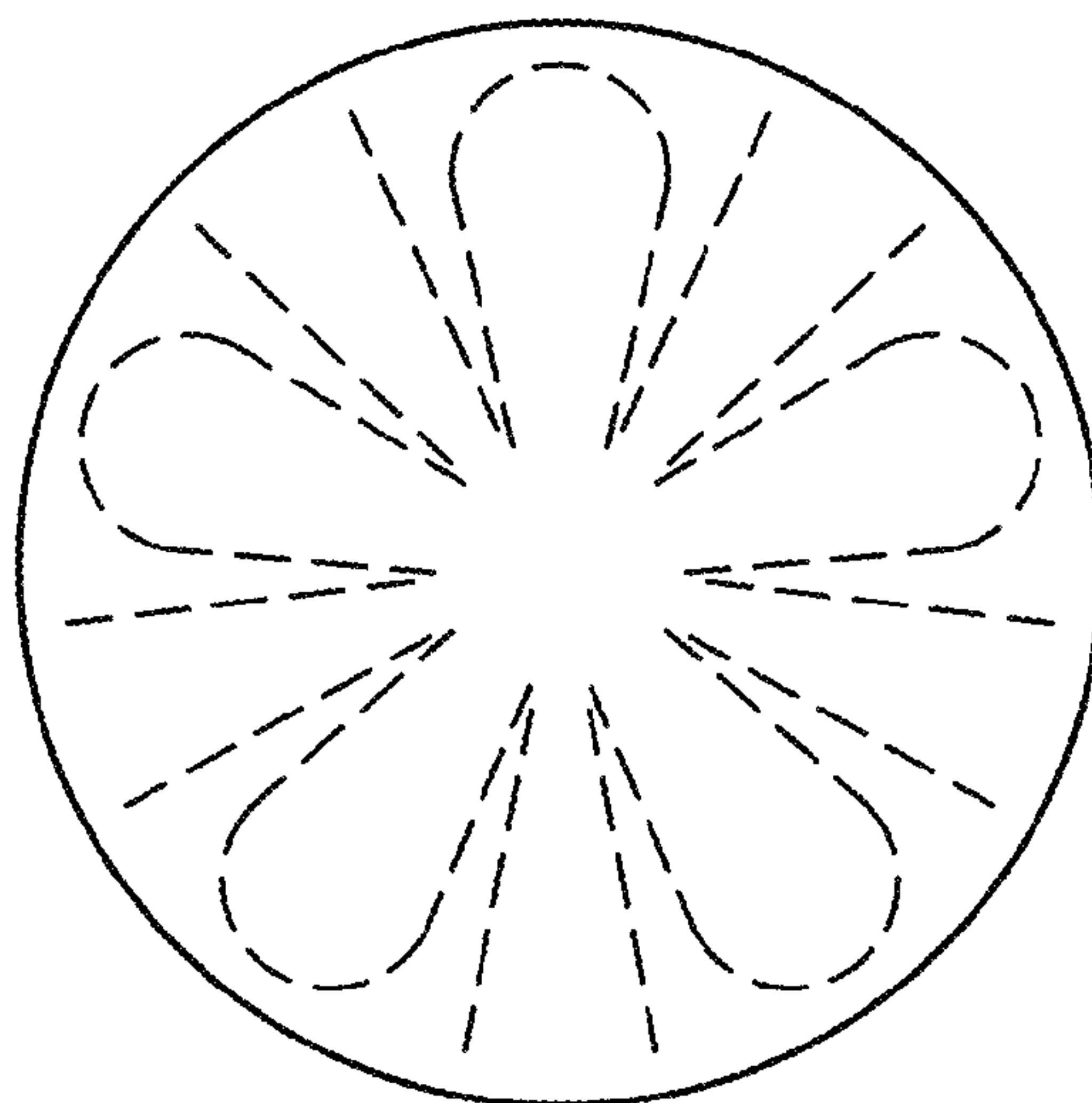


FIG. 6