

US00D762480S

(12) **United States Design Patent**  
**Yourist**

(10) **Patent No.:** **US D762,480 S**

(45) **Date of Patent:** **\*\* Aug. 2, 2016**

(54) **CONTAINER**

(71) Applicant: **Graham Packaging Company, L.P.**,  
York, PA (US)

(72) Inventor: **Sheldon E. Yourist**, York, PA (US)

(73) Assignee: **GRAHAM PACKAGING COMPANY,**  
**L.P.**, York, PA (US)

(\*\*) Term: **14 Years**

(21) Appl. No.: **29/506,264**

(22) Filed: **Oct. 14, 2014**

(51) **LOC (10) Cl.** ..... **09-01**

(52) **U.S. Cl.**  
USPC ..... **D9/542; D9/560; D9/574**

(58) **Field of Classification Search**  
USPC ..... D9/516, 520, 530, 541, 542, 559, 560,  
D9/572, 573, 574, 715, 719  
CPC ..... B65D 1/02; B65D 1/0223; B65D 23/102;  
B65D 2251/023; B65D 83/38  
See application file for complete search history.

(56) **References Cited**

**U.S. PATENT DOCUMENTS**

D141,569 S *	6/1945	Adlerbert	.....	D9/541
D303,926 S *	10/1989	Venne	.....	D19/71
D471,815 S *	3/2003	Gnann	.....	D9/500
D507,489 S *	7/2005	Chirico	.....	D9/542
D521,390 S *	5/2006	Andoh	.....	D9/542
D551,984 S *	10/2007	La Kier	.....	D9/538
D577,592 S *	9/2008	Goetz	.....	D9/541

D585,293 S *	1/2009	Honkawa	.....	D9/501
D596,949 S *	7/2009	Flude	.....	D9/560
D605,517 S *	12/2009	Caldwell	.....	D9/500
D632,967 S *	2/2011	Hughes	.....	D9/542
D699,110 S *	2/2014	Cox	.....	D9/500
RE44,900 E *	5/2014	Goetz	.....	D9/541
D721,586 S *	1/2015	Sharpe	.....	D9/500
D736,641 S *	8/2015	Manne	.....	D9/560
D744,845 S *	12/2015	O'Donahue	.....	D9/530
2015/0001172 A1 *	1/2015	Geithmann	.....	B65D 1/0246 215/42

\* cited by examiner

*Primary Examiner* — Dana L Meyrow

*Assistant Examiner* — Keith Frank

(74) *Attorney, Agent, or Firm* — Baker Botts L.L.P.

(57) **CLAIM**

The ornamental design for a container, as shown and described.

**DESCRIPTION**

FIG. 1 is a perspective view of a container showing our new design;

FIG. 2 is a front view of the container of FIG. 1;

FIG. 3 is a rear view of the container of FIG. 1;

FIG. 4 is a left side view of the container of FIG. 1;

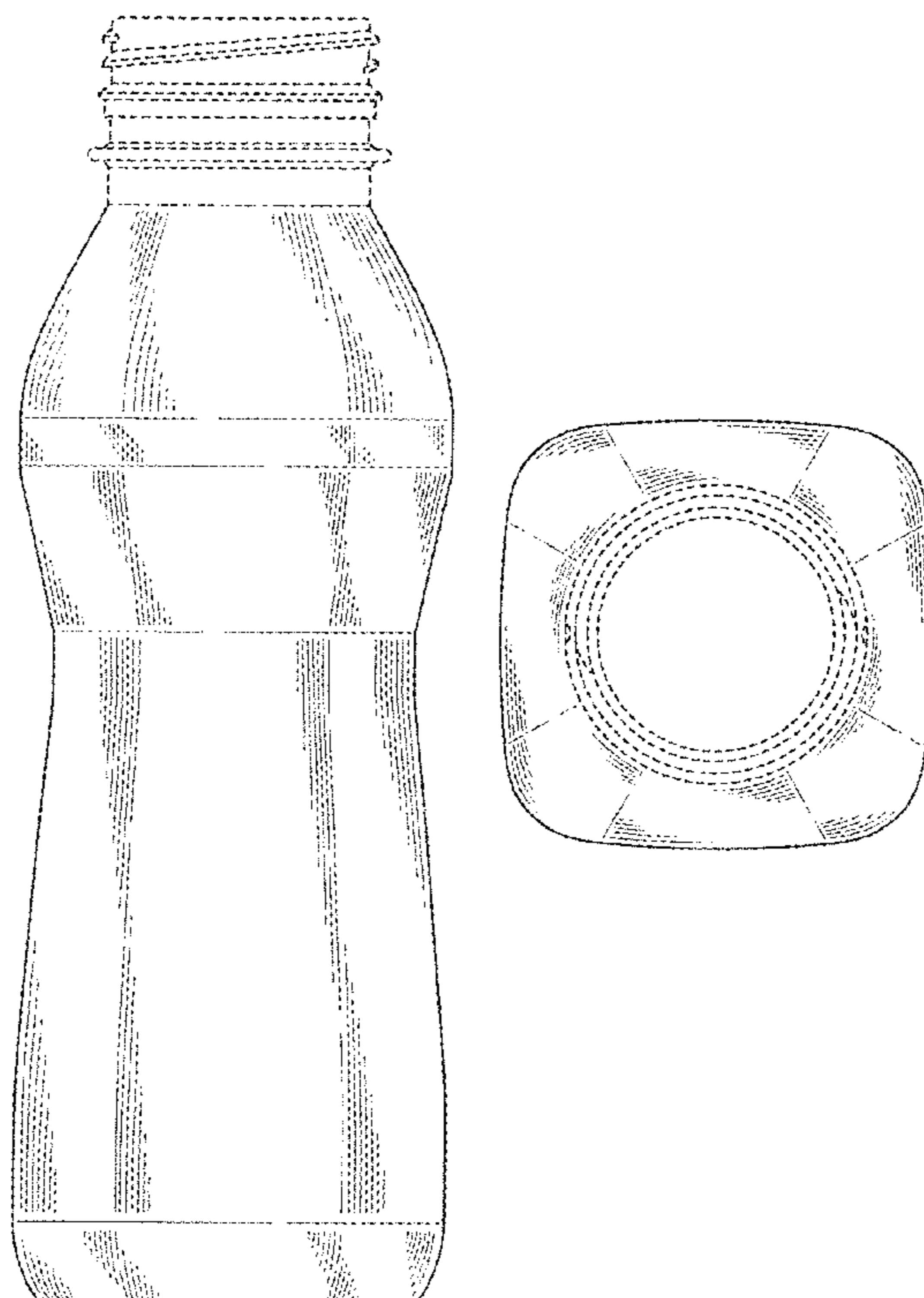
FIG. 5 is a right side view of the container of FIG. 1;

FIG. 6 is a top view of the container of FIG. 1; and,

FIG. 7 is a bottom view of the container of FIG. 1.

The evenly spaced broken lines in the drawings illustrate the portions of the container that form no part of the claim. The dot-dash broken lines in the drawings defines the bounds of the claimed design that form no part thereof.

**1 Claim, 6 Drawing Sheets**



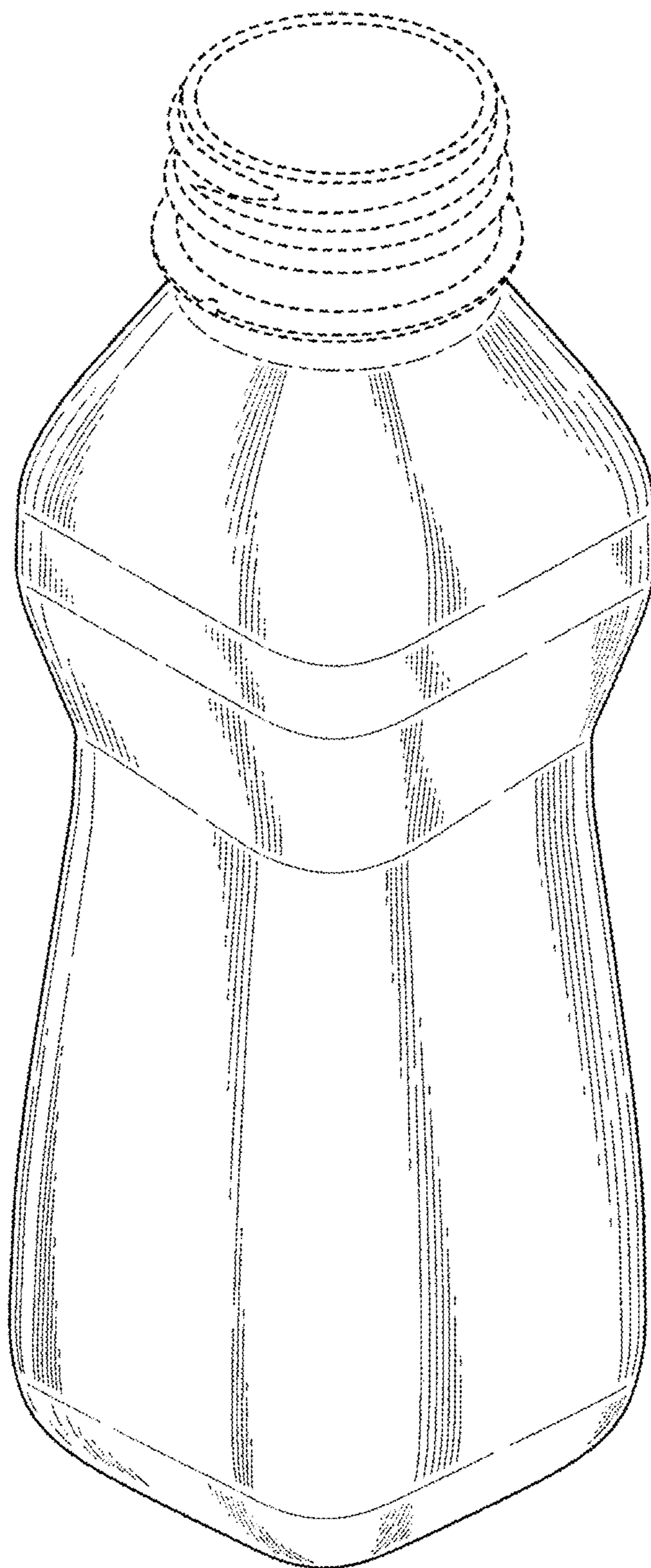


FIG. 1

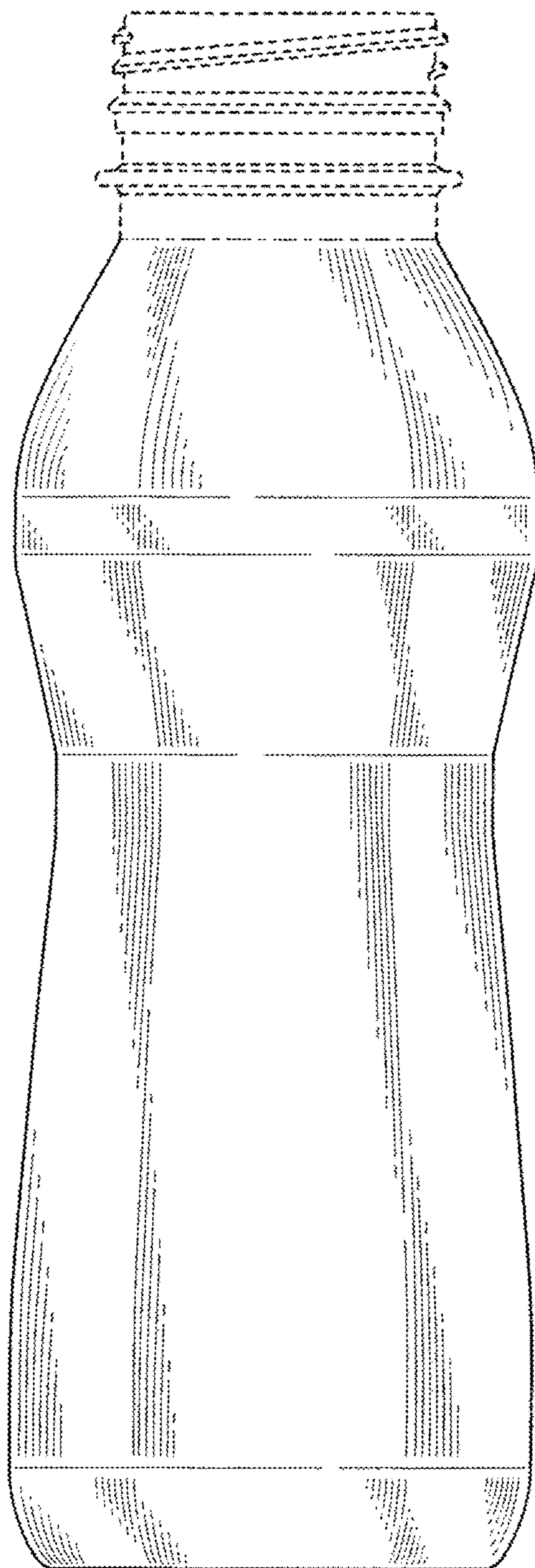


FIG. 2

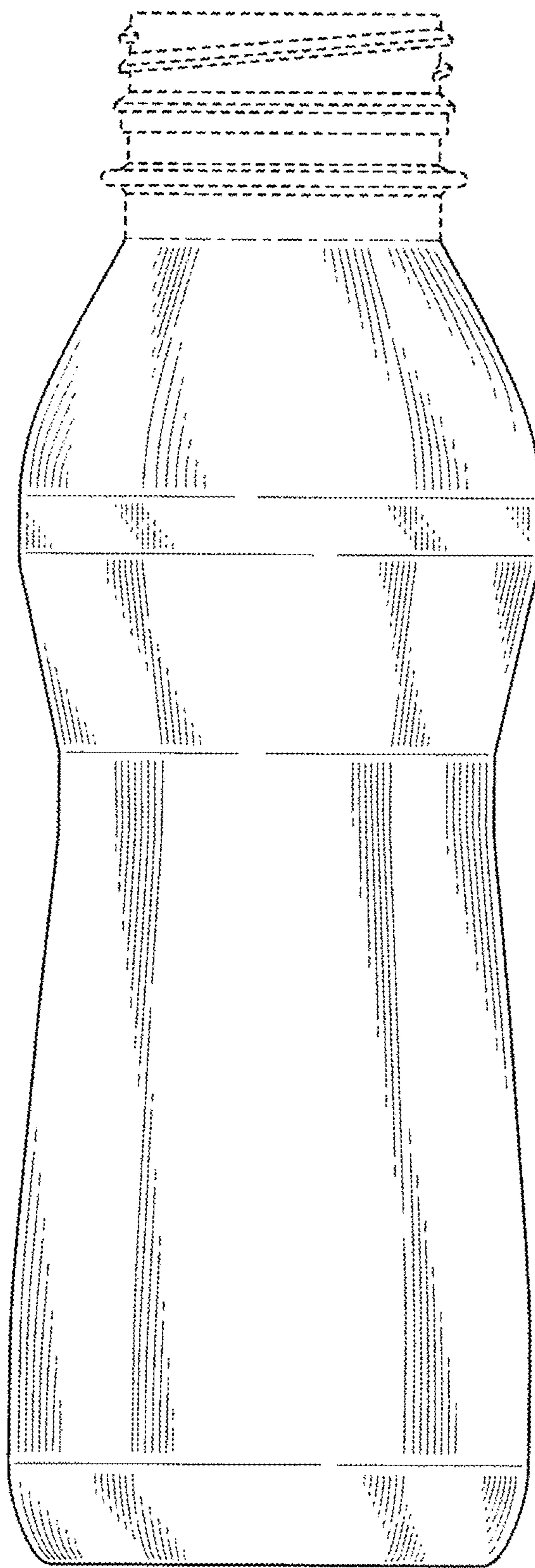


FIG. 3

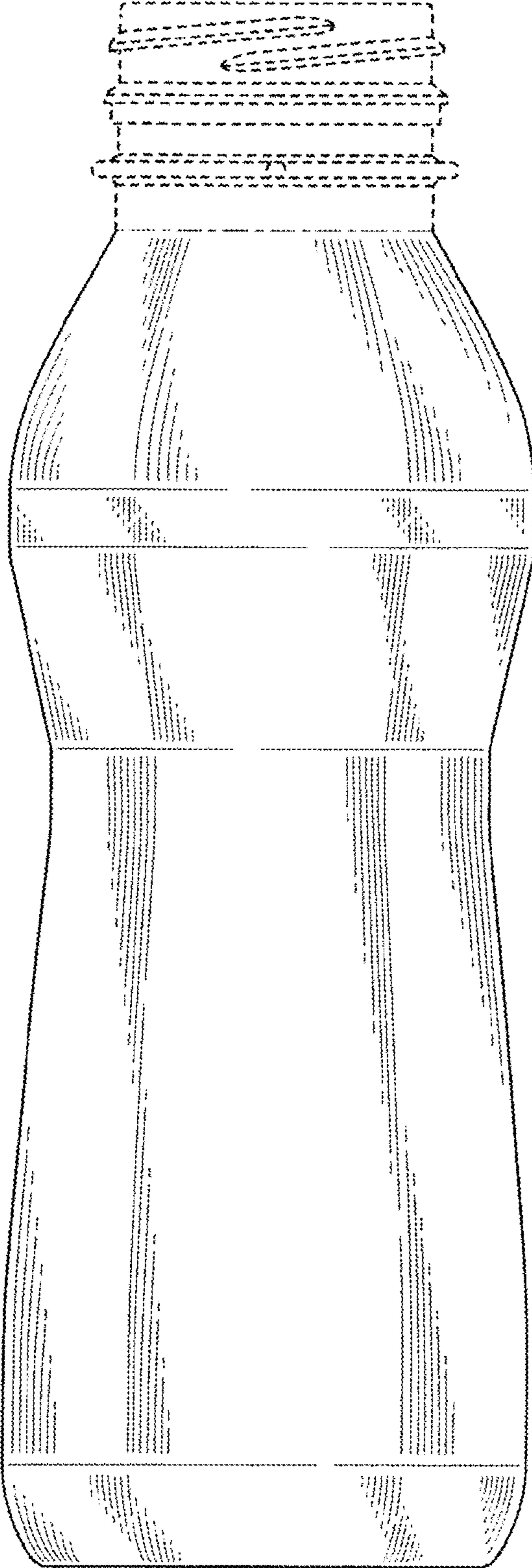


FIG. 4

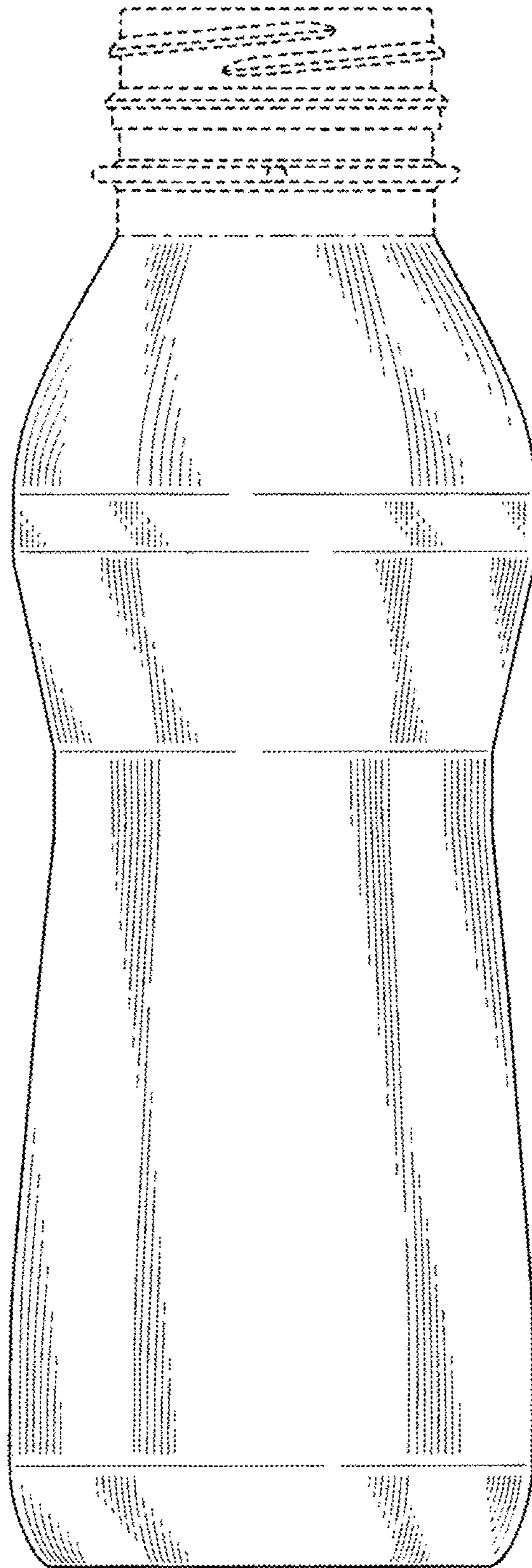


FIG. 5

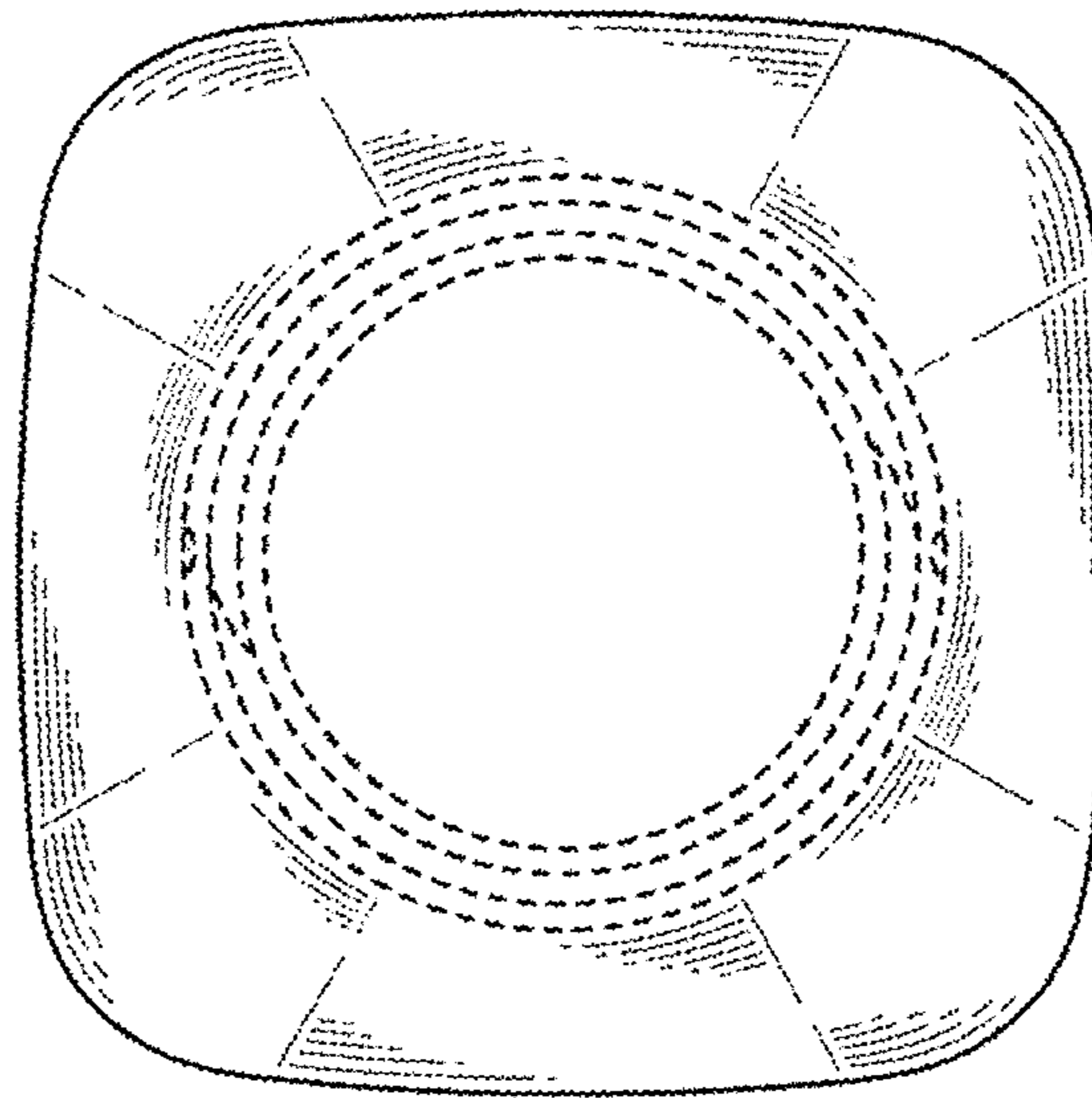


FIG. 6

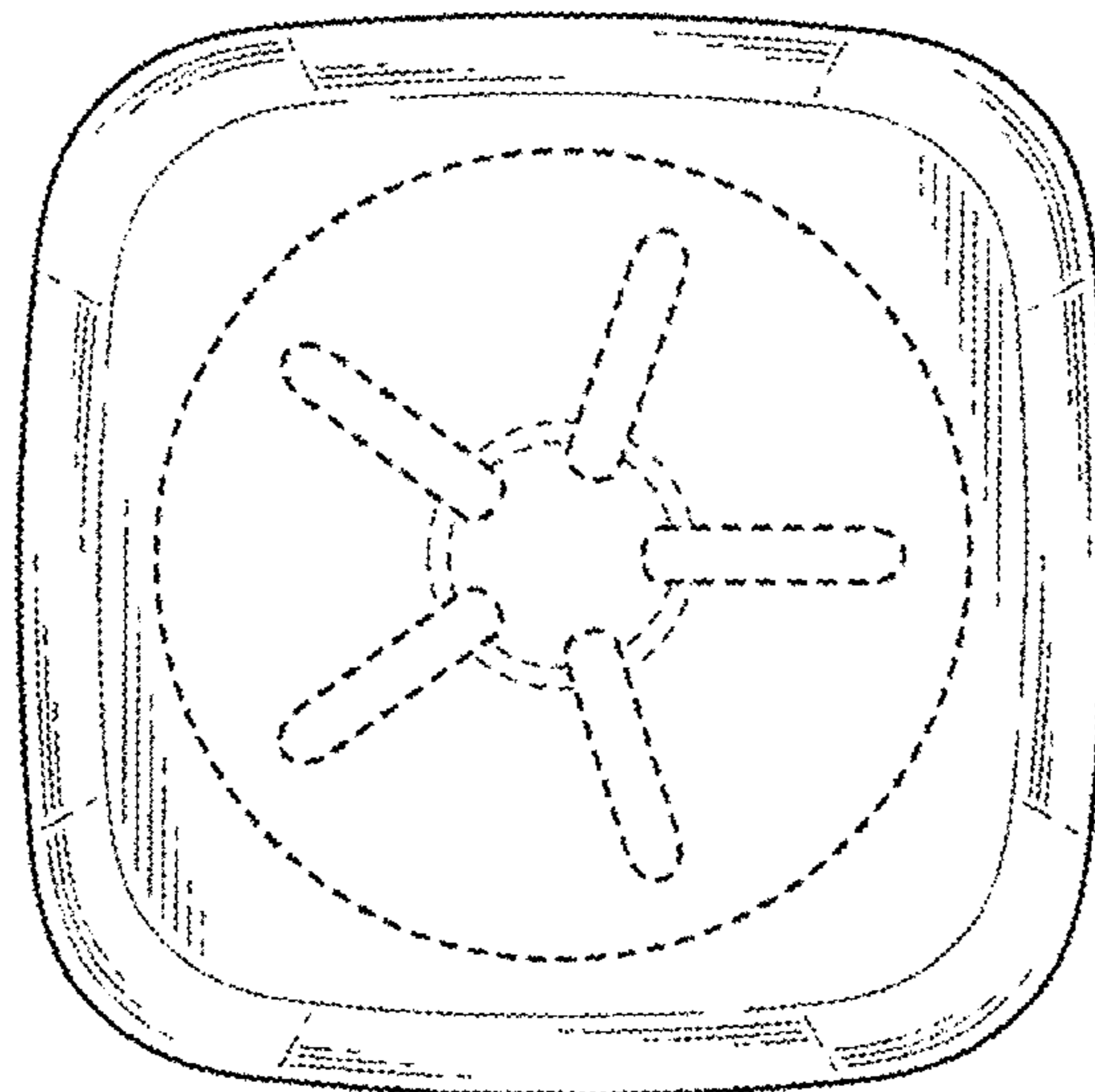


FIG. 7