



US00D762477S

(12) **United States Design Patent**
Valentine

(10) **Patent No.:** **US D762,477 S**

(45) **Date of Patent:** **** Aug. 2, 2016**

(54) **OIL CAN**

(71) Applicant: **Michael Valentine**, Centerville, MA
(US)

(72) Inventor: **Michael Valentine**, Centerville, MA
(US)

(**) Term: **14 Years**

(21) Appl. No.: **29/520,149**

(22) Filed: **Mar. 11, 2015**

(51) **LOC (10) CL.** **09-01**

(52) **U.S. CL.**
USPC **D9/525**; D9/575; D9/560

(58) **Field of Classification Search**
USPC D9/516, 520, 523, 525, 528, 529, 530,
D9/531, 533, 572, 575, 715, 719;
D23/211.1
CPC B65D 85/00; B65D 1/02; B65D 1/12;
B65D 1/18; B65D 1/20; B65D 21/0237;
F16N 3/00; F16N 3/02; F16N 3/04
See application file for complete search history.

(56) **References Cited**

U.S. PATENT DOCUMENTS

- 4,583,668 A * 4/1986 Maynard, Jr. B65D 25/48
141/367
- 4,901,878 A * 2/1990 Humphries B65D 1/14
215/383
- D322,561 S * 12/1991 Girouard D9/524
- D328,431 S * 8/1992 Skidmore D9/417
- D376,664 S * 12/1996 Petruzzi D26/47

- 5,647,516 A * 7/1997 Young B65D 25/465
222/529
- 5,934,522 A * 8/1999 Canela B65D 25/44
141/337
- D416,803 S * 11/1999 Voight D9/523
- D439,519 S * 3/2001 Ruble D9/523
- D499,647 S * 12/2004 Wills D9/447
- D508,855 S * 8/2005 Hasler D9/523
- D548,094 S * 8/2007 Salas D9/524
- D571,216 S * 6/2008 Christian D9/523
- D586,221 S * 2/2009 Shaikh D9/523
- 7,624,899 B1 * 12/2009 Barksdale B65D 51/18
215/43
- D661,592 S * 6/2012 McIntire D9/523
- 9,090,442 B2 * 7/2015 Abell B67D 7/005

* cited by examiner

Primary Examiner — Ian Simmons

Assistant Examiner — Keith Frank

(74) *Attorney, Agent, or Firm* — Gary E. Lambert; David J. Connaughton, Jr.; Gary E. Lambert

(57) **CLAIM**

The ornamental design for an oil can, as shown and described.

DESCRIPTION

FIG. 1 is a front perspective view of the oil can showing my new design;
 FIG. 2 is a front elevation view thereof;
 FIG. 3 is a left side elevation view thereof;
 FIG. 4 is a right side elevation view thereof;
 FIG. 5 is a front elevation view thereof, with the pour spout in the retracted position;
 FIG. 6 is a top plan view thereof; and,
 FIG. 7 is a bottom plan view thereof.

1 Claim, 5 Drawing Sheets

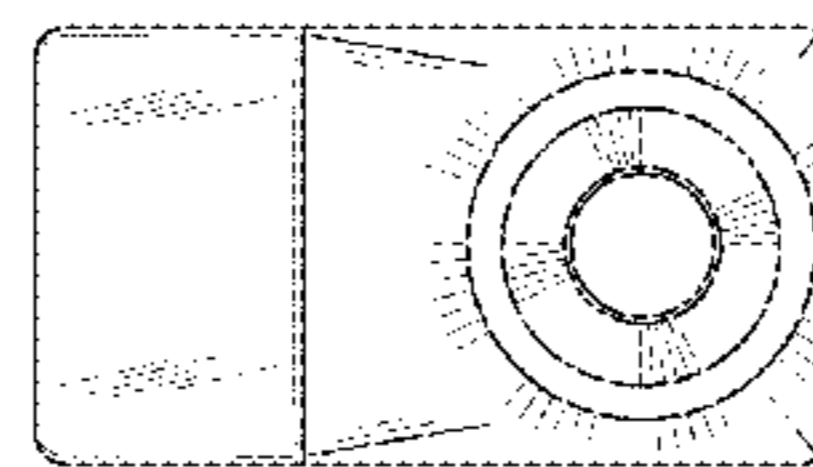
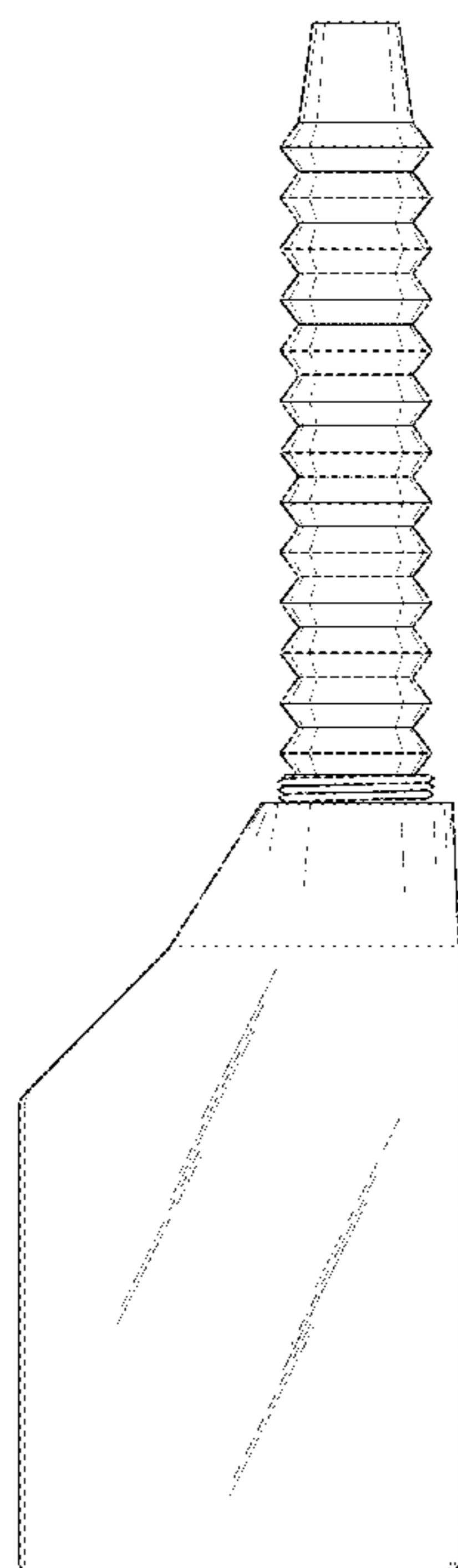


Fig. 1

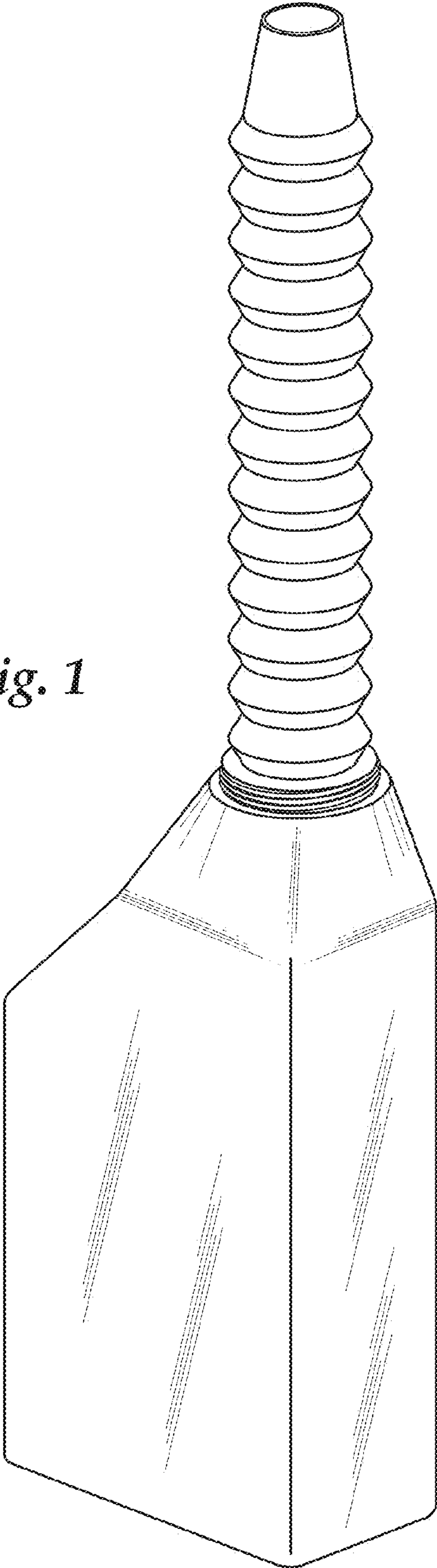


Fig. 2

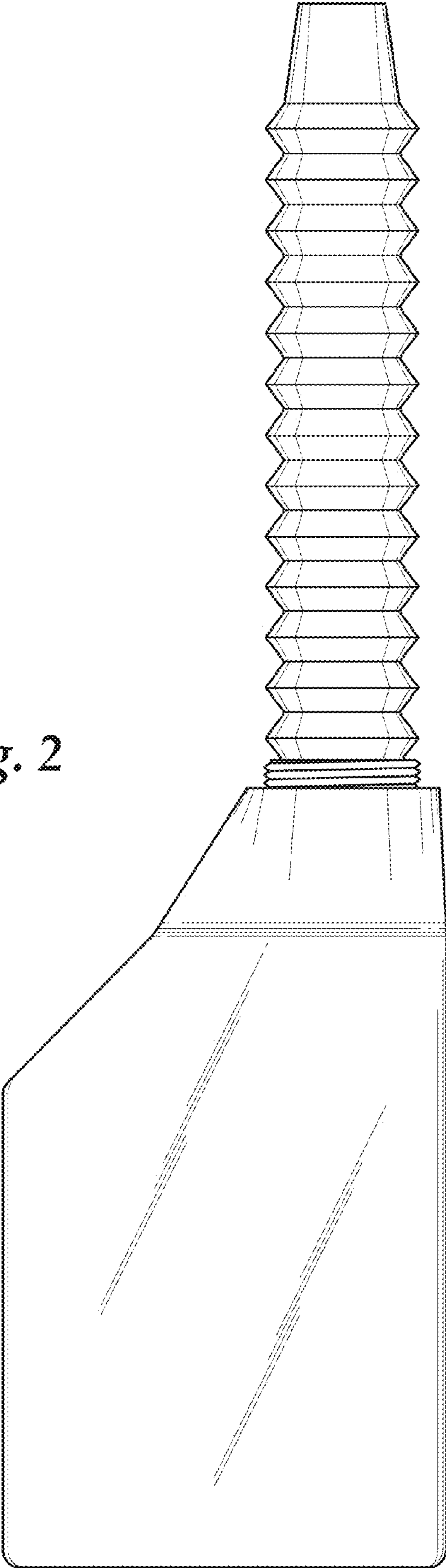


Fig. 3

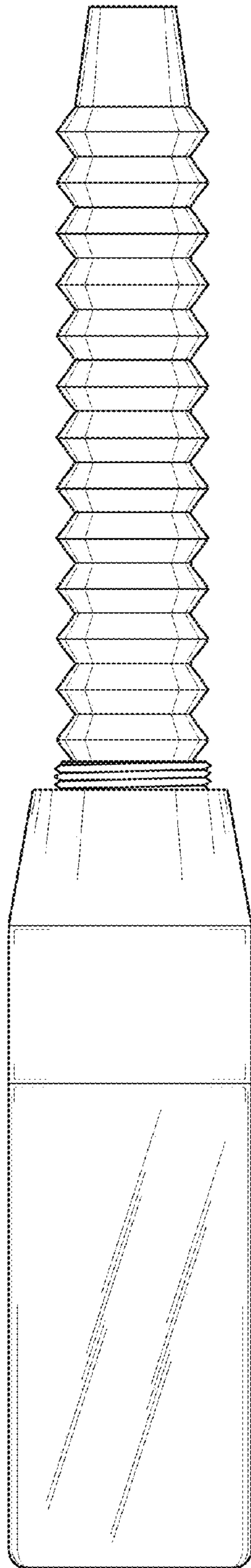
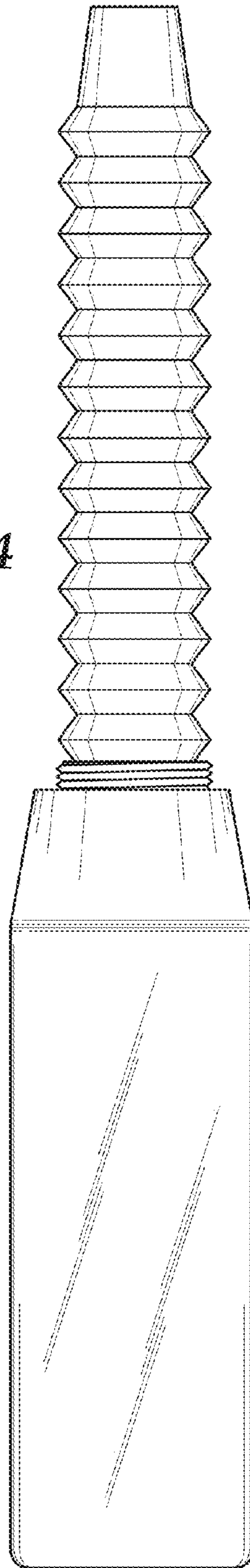


Fig. 4



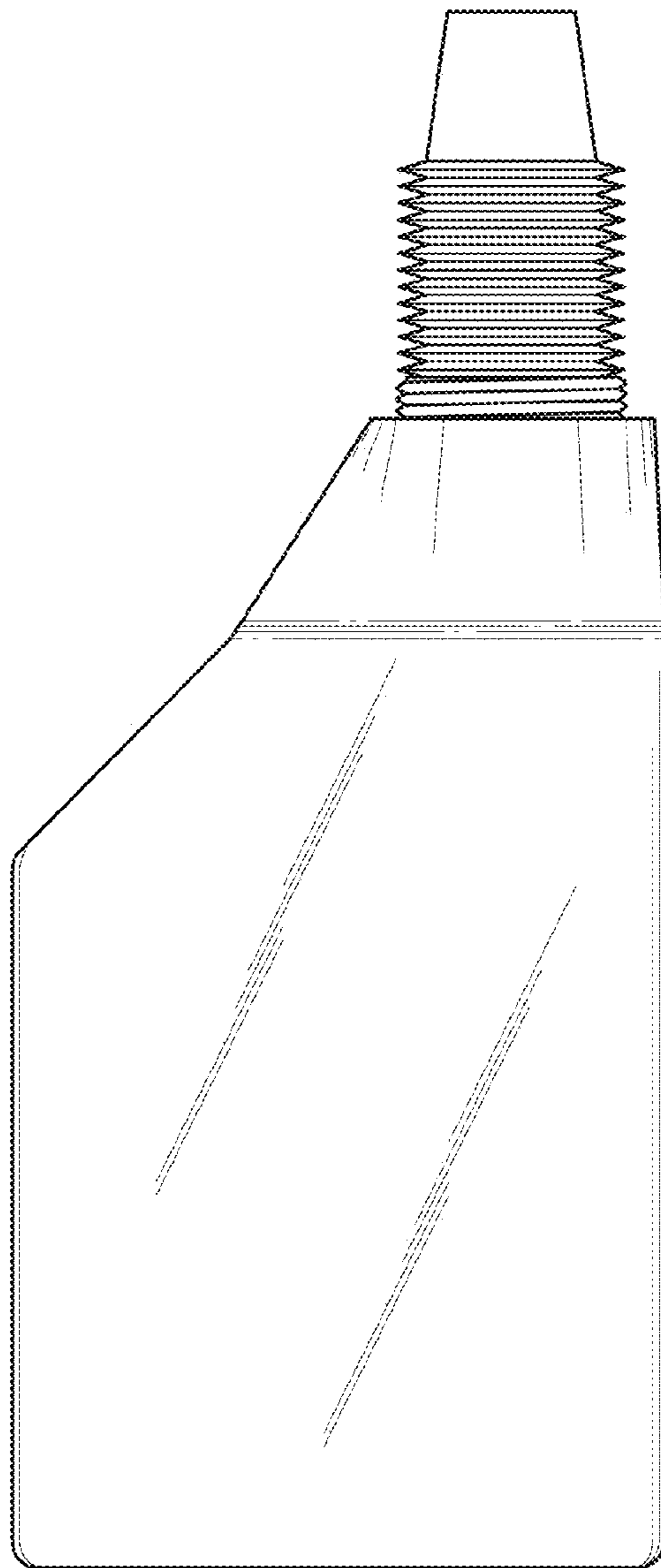


Fig. 5

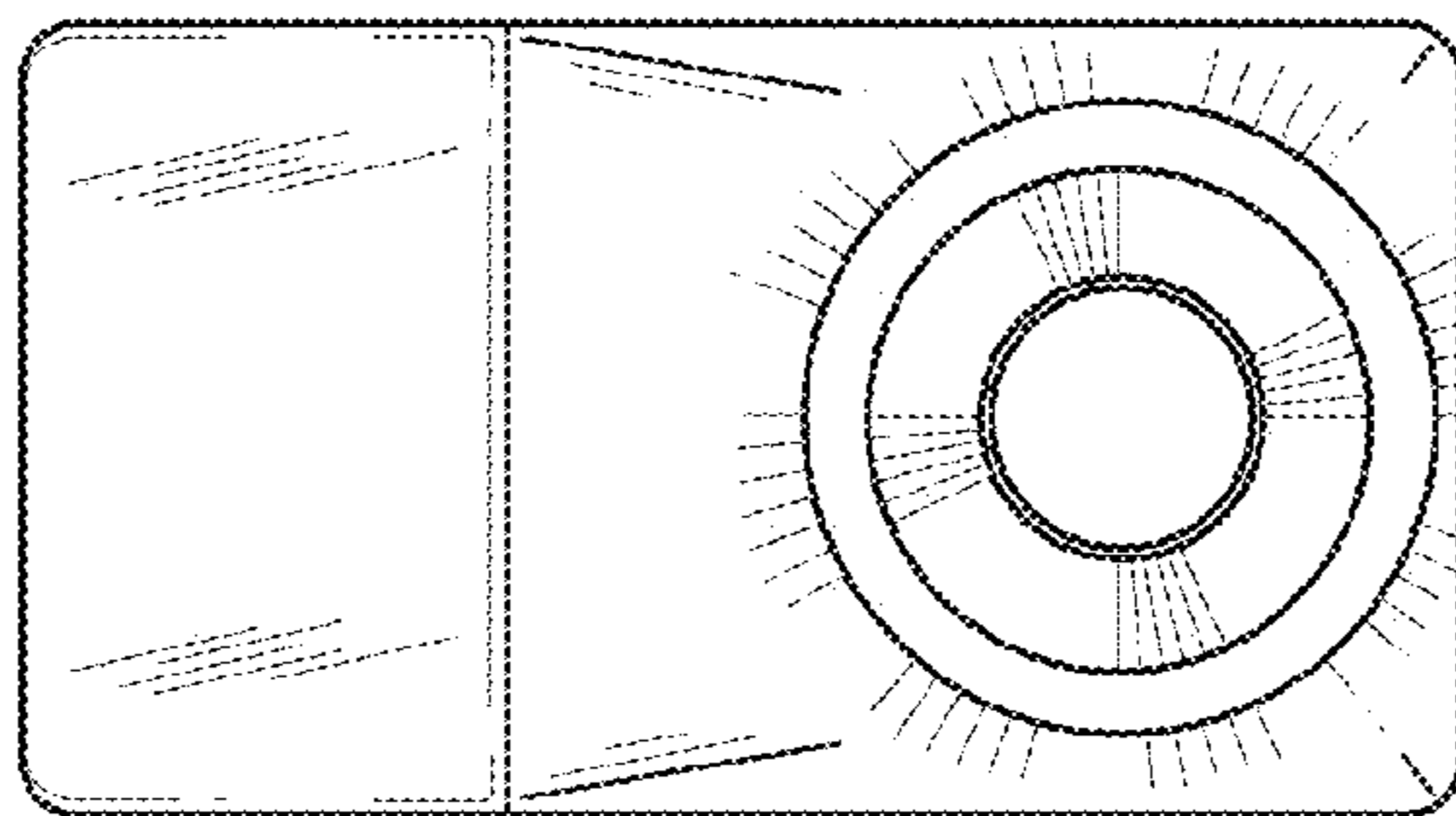


Fig. 6

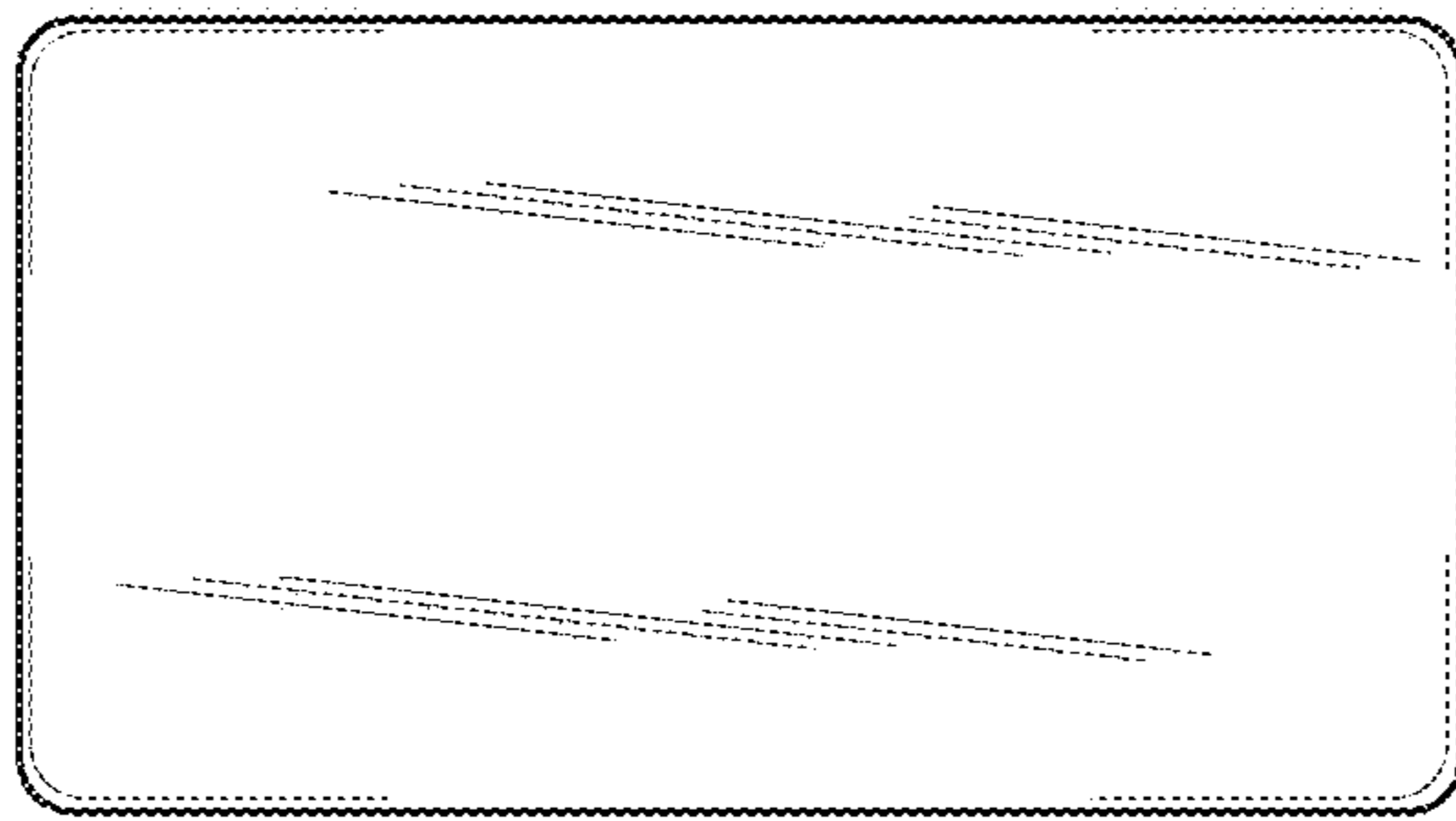


Fig. 7