



US00D762476S

(12) **United States Design Patent**
Velmer et al.

(10) **Patent No.:** **US D762,476 S**

(45) **Date of Patent:** **** Aug. 2, 2016**

(54) **BOTTLE**

(71) Applicant: **Mead Johnson Nutrition Company**,
Glenview, IL (US)

(72) Inventors: **Marc S. Velmer**, Evansville, IN (US);
Thomas C. Horton, Newburgh, IN
(US); **Patrick E. McCallister**,
Newburgh, IN (US)

(73) Assignee: **Mead Johnson Nutrition Company**,
Glenview, IL (US)

(**) Term: **14 Years**

(21) Appl. No.: **29/493,784**

(22) Filed: **Jun. 13, 2014**

(51) **LOC (10) Cl.** **09-01**

(52) **U.S. Cl.**

USPC **D9/504**; D9/445; D9/454

(58) **Field of Classification Search**

USPC D9/434-435, 444-445, 454, 500,
D9/503-504, 516, 529-530, 537, 539, 549,
D9/558, 715, 719; D7/509-511, 523,
D7/601-602, 608, 629-630; D24/197
CPC B65D 1/00; B65D 1/02; B65D 1/0223;
B65D 23/00; B65D 81/00; B65D 81/3837;
B65D 2501/00; B65D 2501/0009

See application file for complete search history.

(56) **References Cited**

U.S. PATENT DOCUMENTS

D12,943 S * 5/1882 Sanborn D9/500
2,125,629 A * 8/1938 Gallo A47G 19/24
222/459
2,691,548 A * 10/1954 Feucht et al. B65D 23/0814
128/200.23
2,987,212 A * 6/1961 Scanlon B65D 23/02
215/12.1
D422,902 S * 4/2000 Kikuchi D9/504
D426,773 S * 6/2000 Warner D9/449

D438,116 S * 2/2001 Nosella D9/500
D450,223 S * 11/2001 Jørgensen D7/608
D471,458 S 3/2003 Booth et al.
D472,148 S * 3/2003 Dowd D9/504
D478,669 S 8/2003 Wear
D482,972 S * 12/2003 Young D9/516
D490,709 S 6/2004 Bezek
D497,672 S 10/2004 Renz
D500,444 S * 1/2005 Drake D9/503
D516,428 S 3/2006 Bezek et al.
D528,920 S 9/2006 Priestman
D574,244 S 8/2008 Lin
D576,494 S 9/2008 Bakic
D580,708 S 11/2008 George
D581,742 S * 12/2008 Krus D7/591
D582,278 S 12/2008 Bourne
D605,945 S 12/2009 Macaulay et al.
D609,536 S * 2/2010 Tang D7/679
D620,800 S 8/2010 Thielman et al.
D625,424 S 10/2010 Mackay

(Continued)

Primary Examiner — Dana L Meyrow

(74) *Attorney, Agent, or Firm* — Patterson Intellectual
Property Law, P.C.; James R. Cartiglia; Lucian Wayne
Beavers

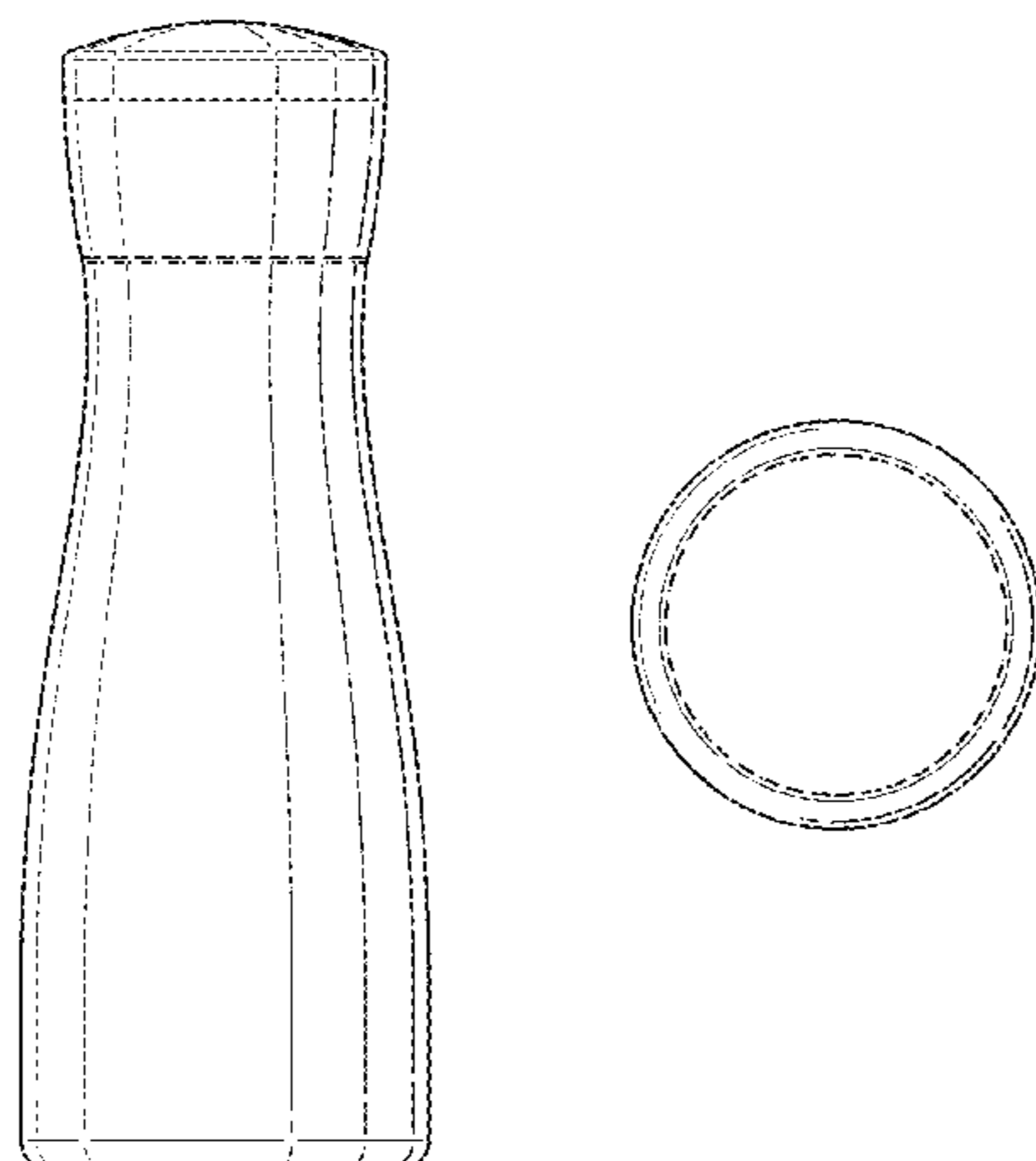
(57) **CLAIM**

What is claimed is the ornamental design for a bottle, as
shown and described.

DESCRIPTION

FIG. 1 is a top perspective view of a bottle;
FIG. 2 is a top plan view of the bottle of FIG. 1;
FIG. 3 is a front elevation view of the bottle of FIG. 1, the rear
elevation view being identical; and,
FIG. 4 is a bottom plan view thereof.
The broken lines in FIGS. 1 & 3 showing the junction
between the cap and the body of the bottle are represent
unclaimed lines on a claimed surface. The broken line in FIG.
4 defines the bounds of the claim. That circular broken line
and the area within forms no part of the claim.

1 Claim, 1 Drawing Sheet



(56)

References Cited

U.S. PATENT DOCUMENTS

D646,932 S * 10/2011 Melms, Jr. D7/598
D655,166 S 3/2012 Arand et al.
D655,610 S 3/2012 Rice et al.
D656,840 S * 4/2012 Tacconi D9/443
D658,063 S 4/2012 Simmons et al.
D662,422 S 6/2012 Avakian
D663,208 S 7/2012 Jenkins
D666,912 S 9/2012 Kawai

D684,268 S 6/2013 Casey
D685,653 S 7/2013 Mowers et al.
D698,250 S 1/2014 Wade et al.
D698,251 S 1/2014 Wade et al.
D702,130 S * 4/2014 Handy D9/691
D702,131 S * 4/2014 Handy D9/691
D703,050 S 4/2014 Lopez et al.
D703,051 S 4/2014 Riley et al.
D703,538 S 4/2014 Paredes et al.
D711,180 S * 8/2014 Villa D7/300.1
D715,157 S * 10/2014 In D9/691

* cited by examiner

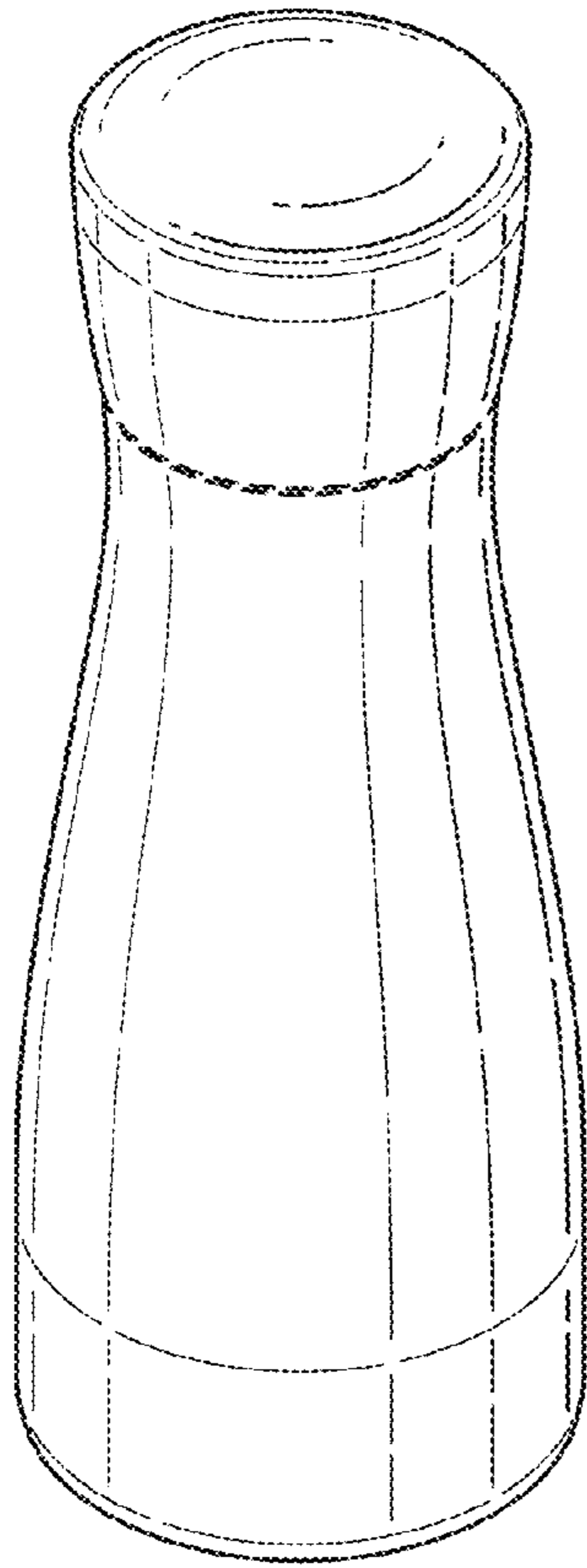


FIG. 1

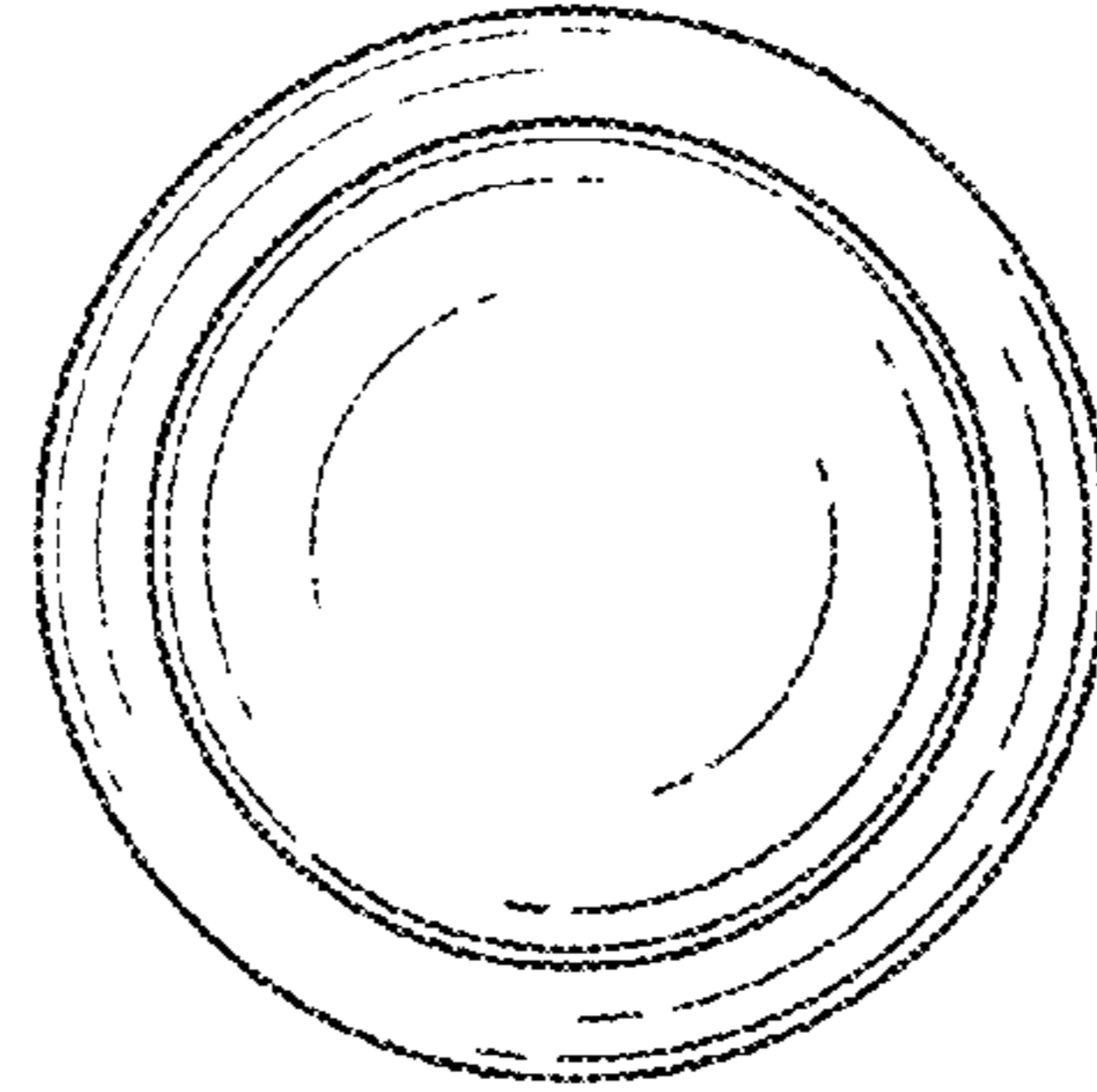


FIG. 2

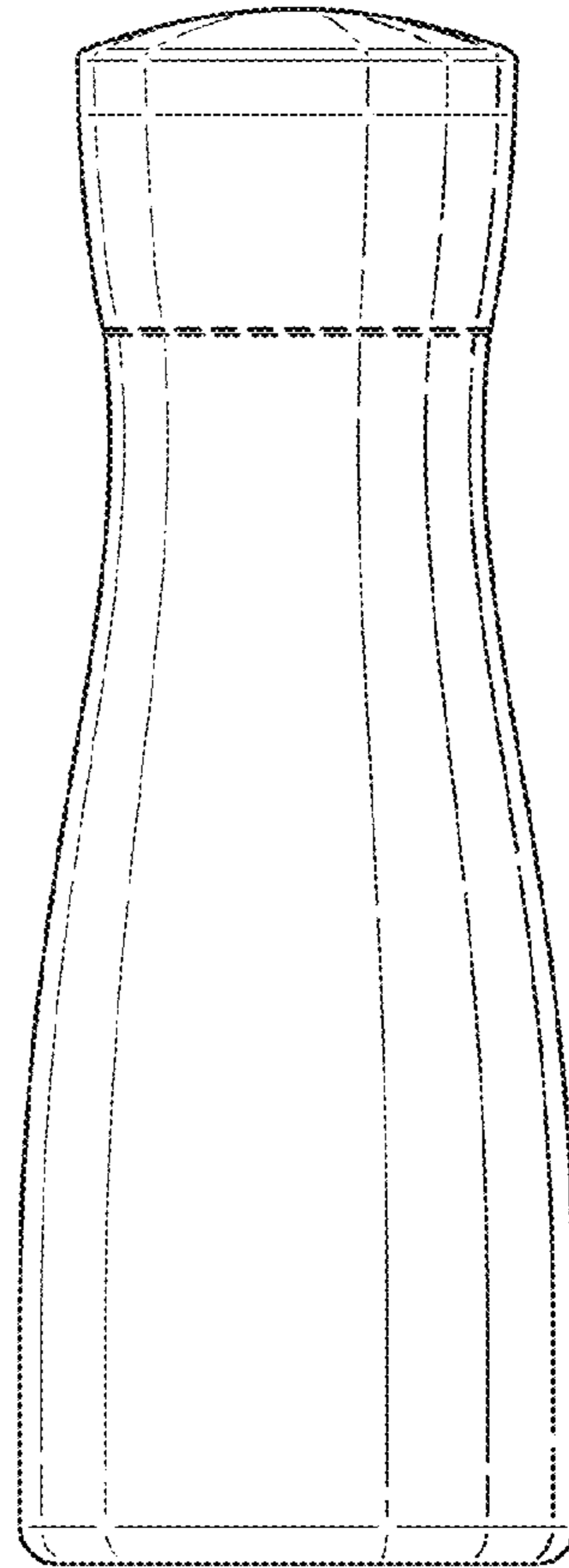


FIG. 3

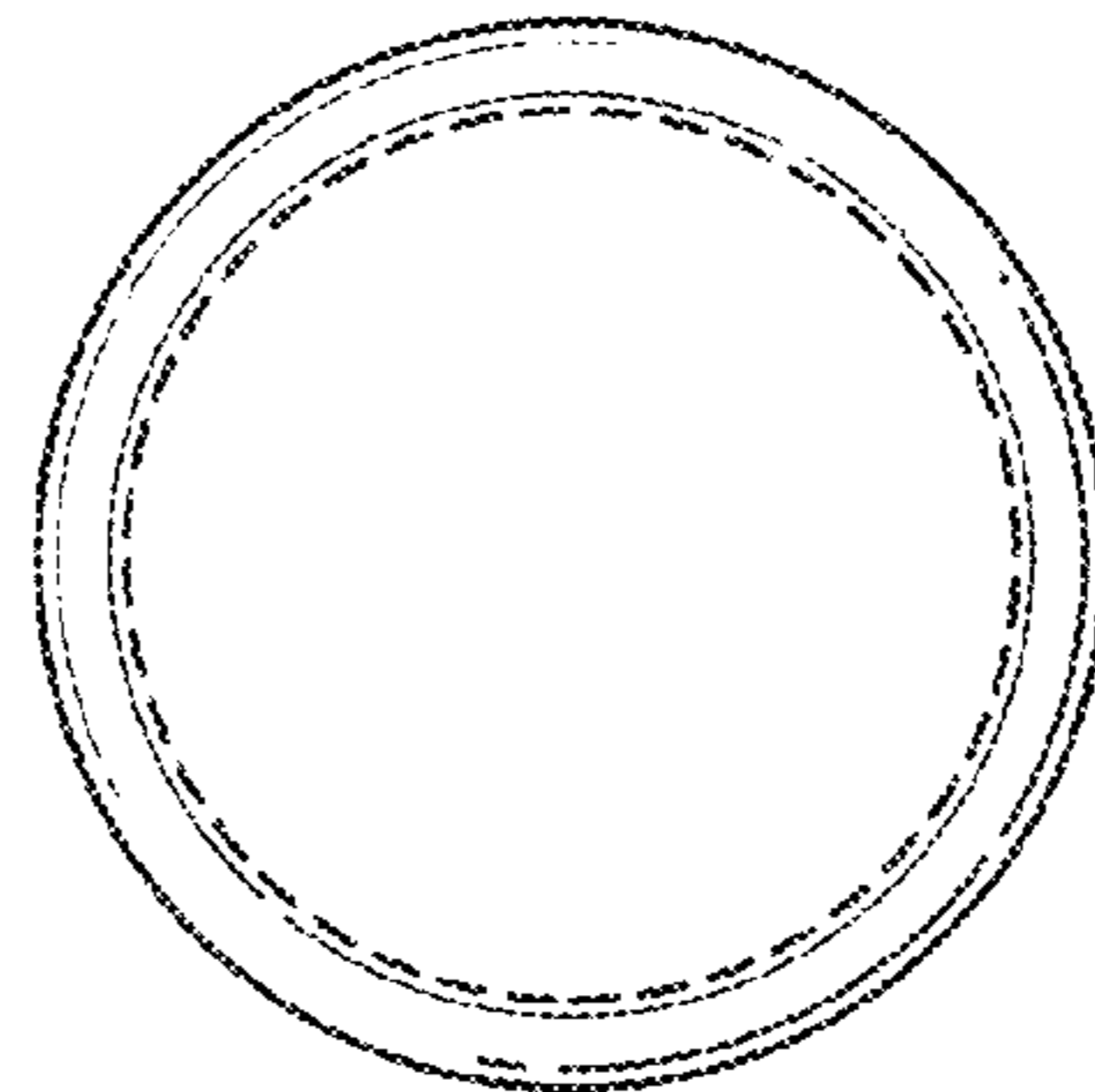


FIG. 4