



US00D762474S

(12) **United States Design Patent**
Chung

(10) **Patent No.:** **US D762,474 S**
(45) **Date of Patent:** **** Aug. 2, 2016**

- (54) **DISPENSING TIP FOR PACKAGE**
- (71) Applicant: **In Yong Chung**, Seoul (KR)
- (72) Inventor: **In Yong Chung**, Seoul (KR)
- (73) Assignee: **CTK CO., LTD.**, Seoul (KR)
- (**) Term: **14 Years**
- (21) Appl. No.: **29/482,089**
- (22) Filed: **Feb. 13, 2014**
- (51) **LOC (10) Cl.** **09-07**
- (52) **U.S. Cl.**
USPC **D9/449**
- (58) **Field of Classification Search**
USPC D9/435, 436, 438, 440, 443, 447, 449,
D9/453, 454; D7/392.1, 396.2; D28/7, 89
CPC B65D 25/42; B65D 47/243; B65D 83/14
See application file for complete search history.

D658,076 S *	4/2012	McCoy	D9/723
D658,504 S *	5/2012	McCoy	D9/697
D668,541 S *	10/2012	McCoy	D9/447
D678,783 S *	3/2013	Wilcox	D24/119
D680,265 S *	4/2013	DeMarco	D28/7
D685,948 S *	7/2013	Pires	D28/7
D686,871 S *	7/2013	Lane	D7/392.1
D693,059 S *	11/2013	Tani	D28/7
D707,125 S *	6/2014	Santarelli	D9/447
D708,783 S *	7/2014	Kim	D28/7
D709,371 S *	7/2014	Santarelli	D9/447
D721,272 S *	1/2015	Wichowski	D9/447
D731,322 S *	6/2015	Seo	D9/697
D734,150 S *	7/2015	Rigel	D9/440
D736,622 S *	8/2015	Nishijima	D9/447
D747,200 S *	1/2016	Chiorazzi	D9/440
2005/0047848 A1 *	3/2005	Carraher	A45D 40/02 401/266
2006/0198686 A1 *	9/2006	Hetzel	A45D 34/00 401/47
2007/0116509 A1 *	5/2007	Lin	A45D 34/04 401/266

* cited by examiner

Primary Examiner — Robert M Spear

(74) *Attorney, Agent, or Firm* — John K. Park; Park Law Firm

(56) **References Cited**

U.S. PATENT DOCUMENTS

2,155,049 A *	4/1939	Isaacson	B65D 47/06 220/717
D182,235 S *	3/1958	Jaffe	D9/454
D307,191 S *	4/1990	Blutenthal	D28/7
D351,338 S *	10/1994	Koptis	D9/697
D358,295 S *	5/1995	Moench	D7/398
D381,243 S *	7/1997	Goto	D7/392
D418,417 S *	1/2000	Hollinger	D9/440
D425,792 S *	5/2000	Haller	D9/440
D512,482 S *	12/2005	Utter	D23/213
D527,489 S *	8/2006	Angeletta	D28/7
D543,469 S *	5/2007	Py	D9/447
D545,190 S *	6/2007	Wu	D9/448
D561,046 S *	2/2008	Kerman	D9/697
D570,052 S *	5/2008	Py	D28/89
D589,348 S *	3/2009	Miller	D9/445
7,883,287 B2 *	2/2011	Thorpe	A45D 34/04 401/265
D633,753 S *	3/2011	White	D7/392

(57) **CLAIM**

The ornamental design for a dispensing tip for package, as shown and described.

DESCRIPTION

FIG. 1 is a perspective view of a dispensing tip for package showing my new design;
 FIG. 2 is a front view thereof;
 FIG. 3 is a rear view thereof;
 FIG. 4 is a left side view thereof.
 FIG. 5 is a right side view thereof.
 FIG. 6 is a top plan view thereof;
 FIG. 7 is a bottom view thereof; and,
 FIG. 8 is a cross-sectional view along line A-A' thereof.

1 Claim, 8 Drawing Sheets

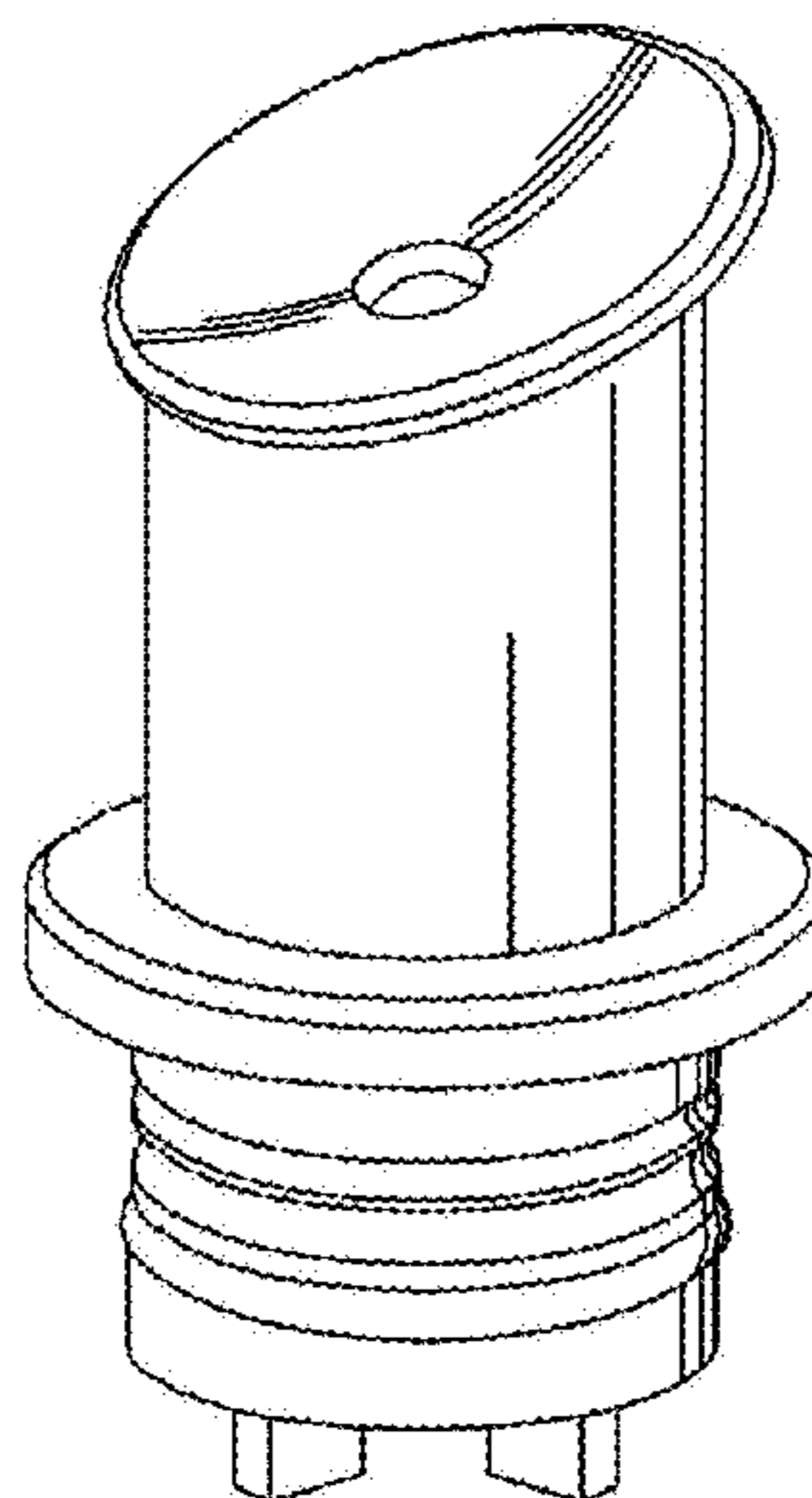


FIG. 1

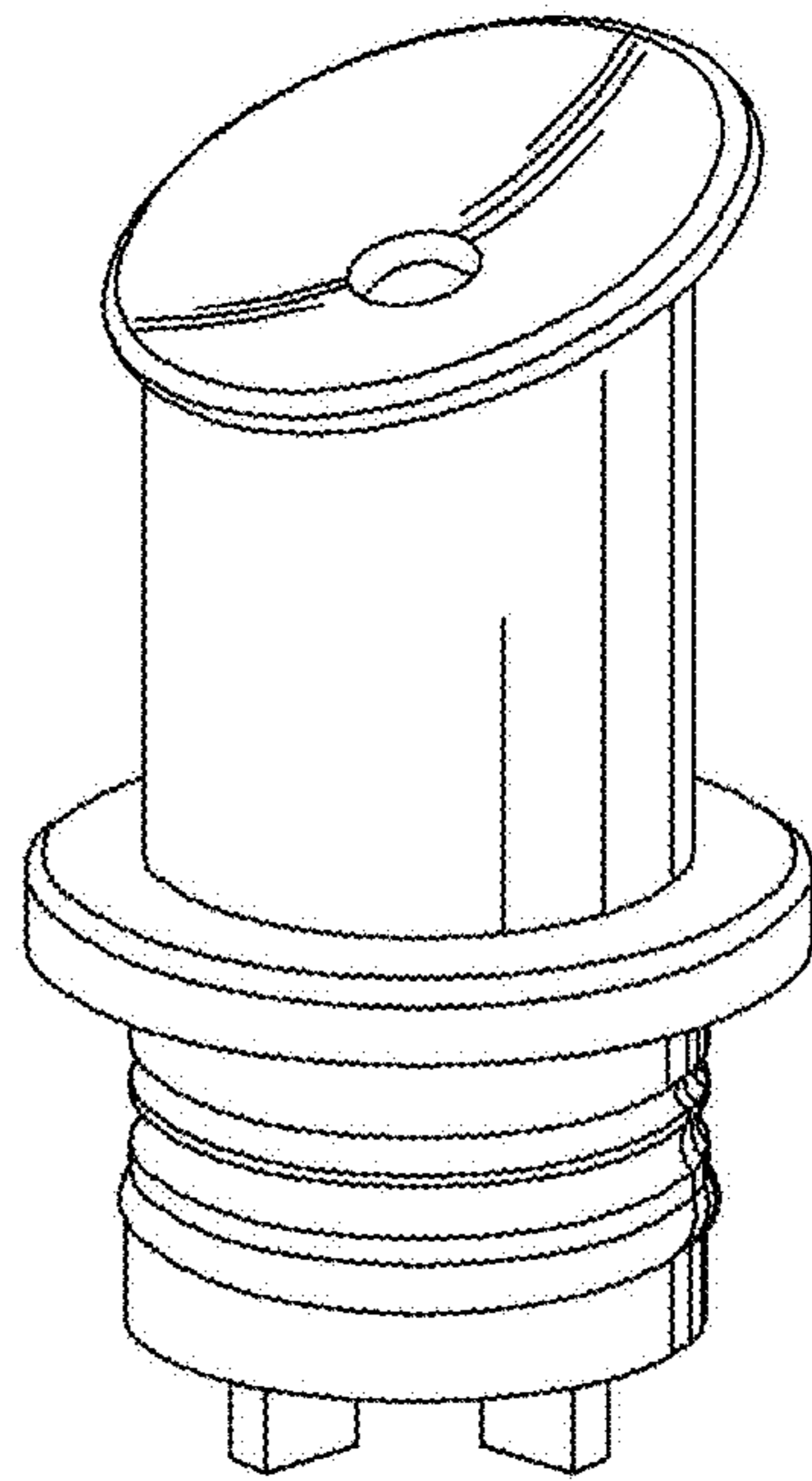


FIG.2

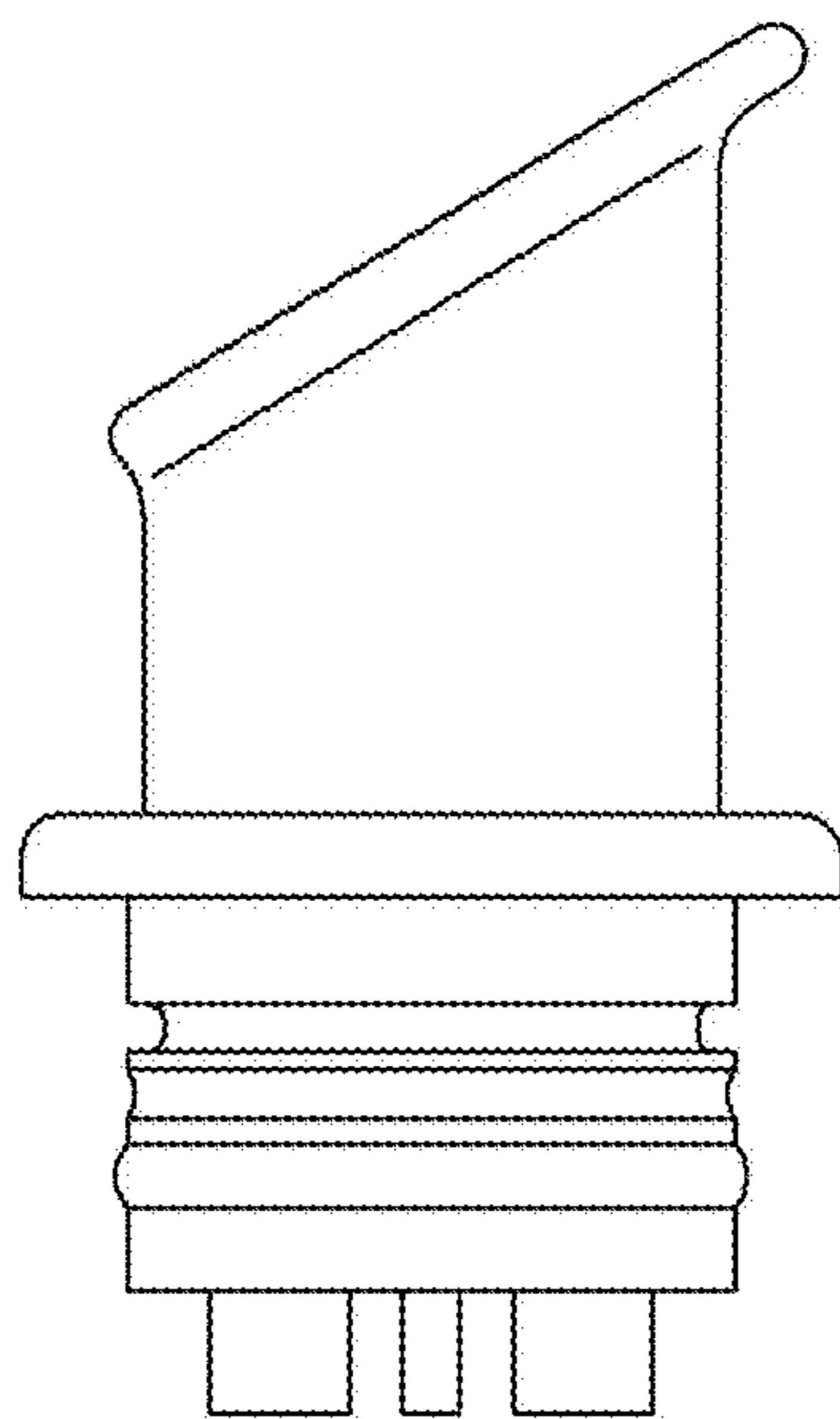


FIG. 3

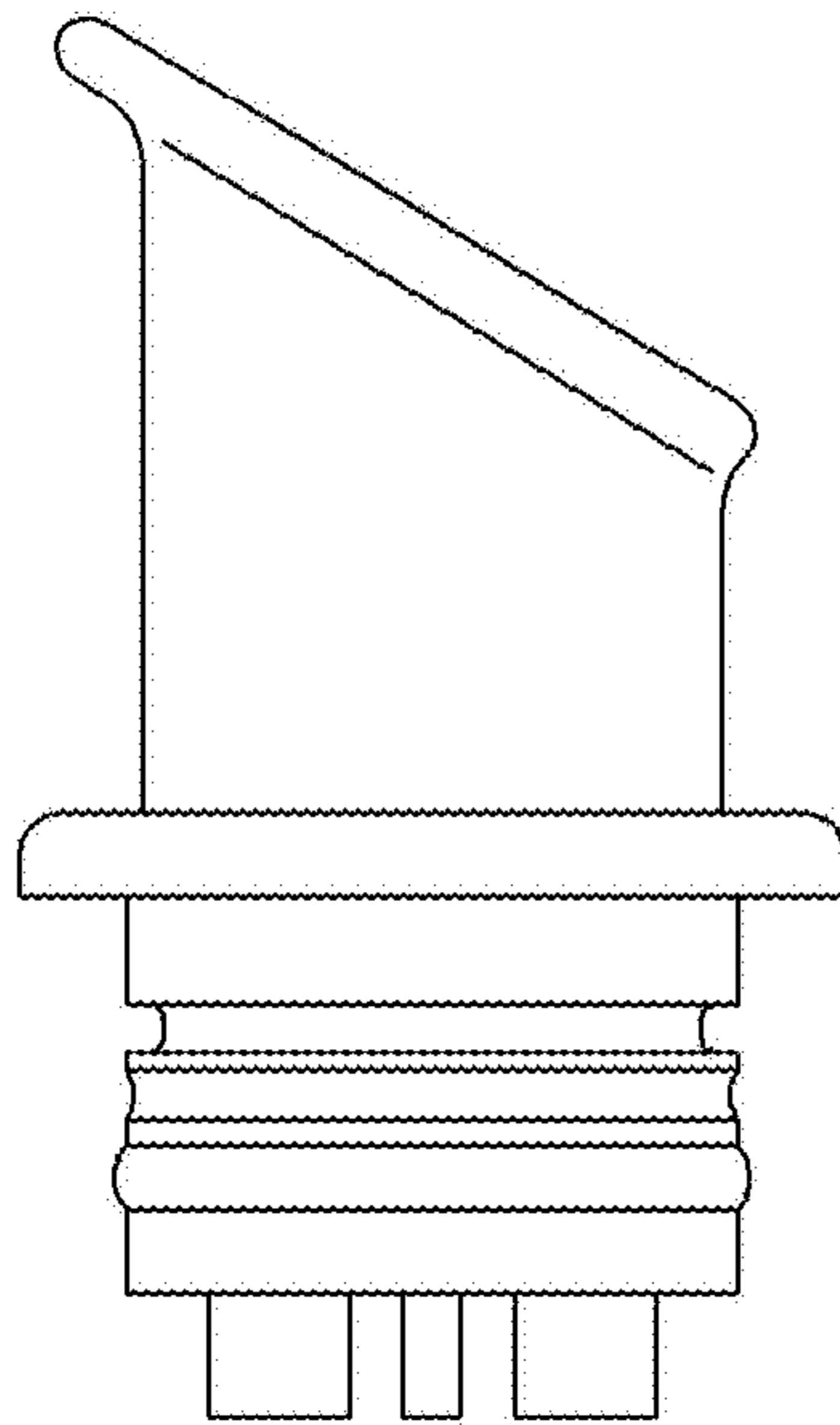


FIG. 4

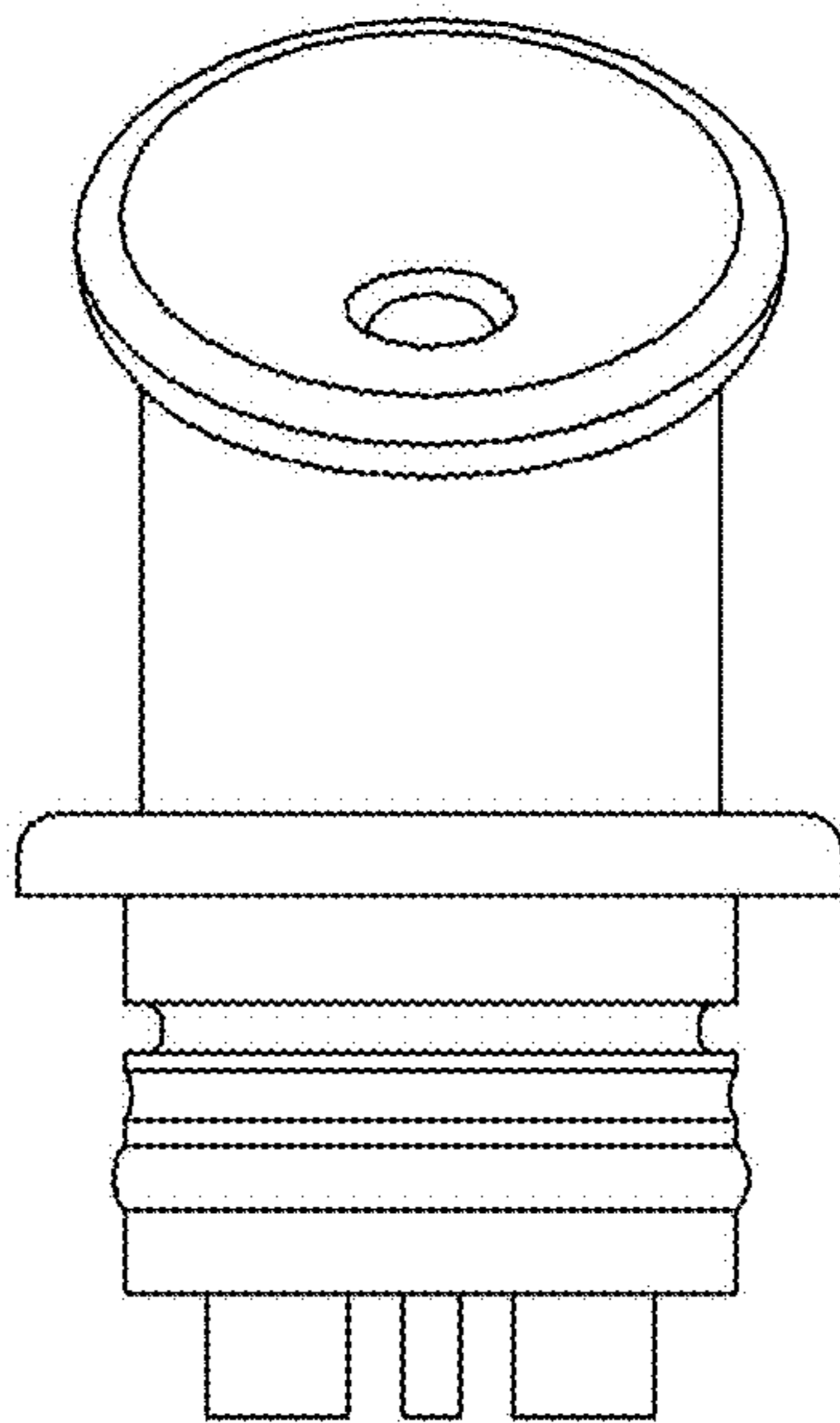


FIG.5

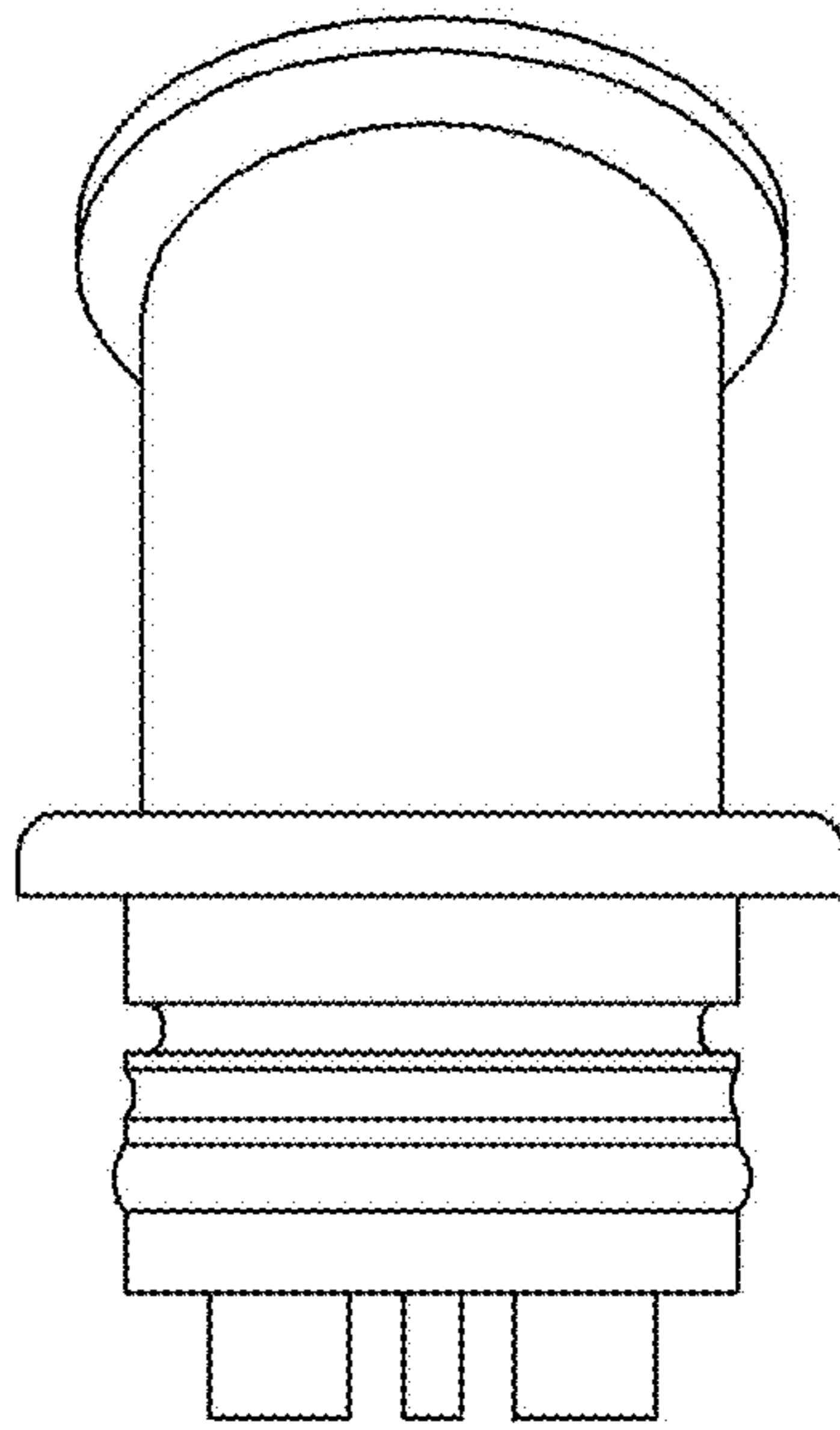


FIG.6

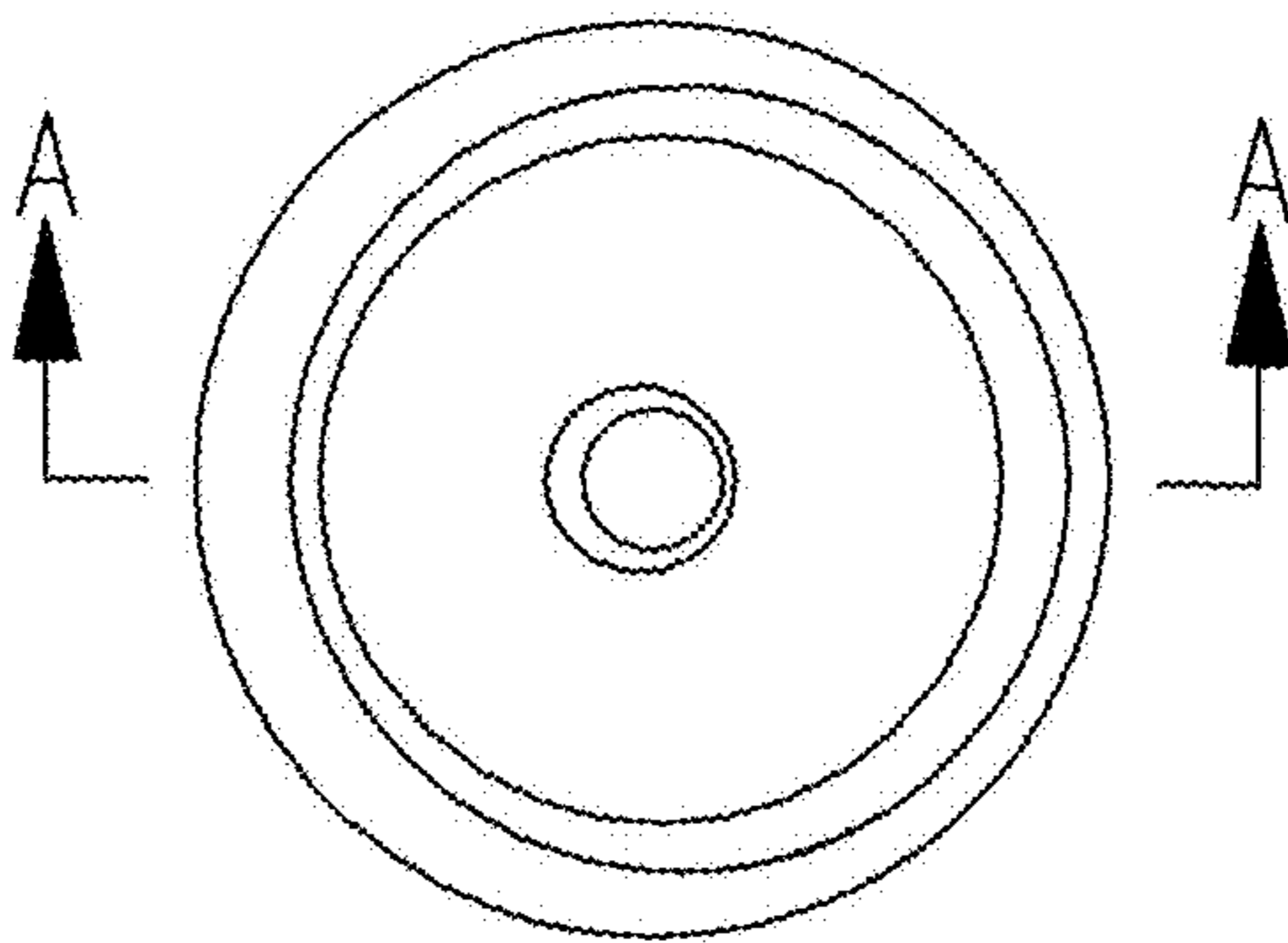


FIG.7

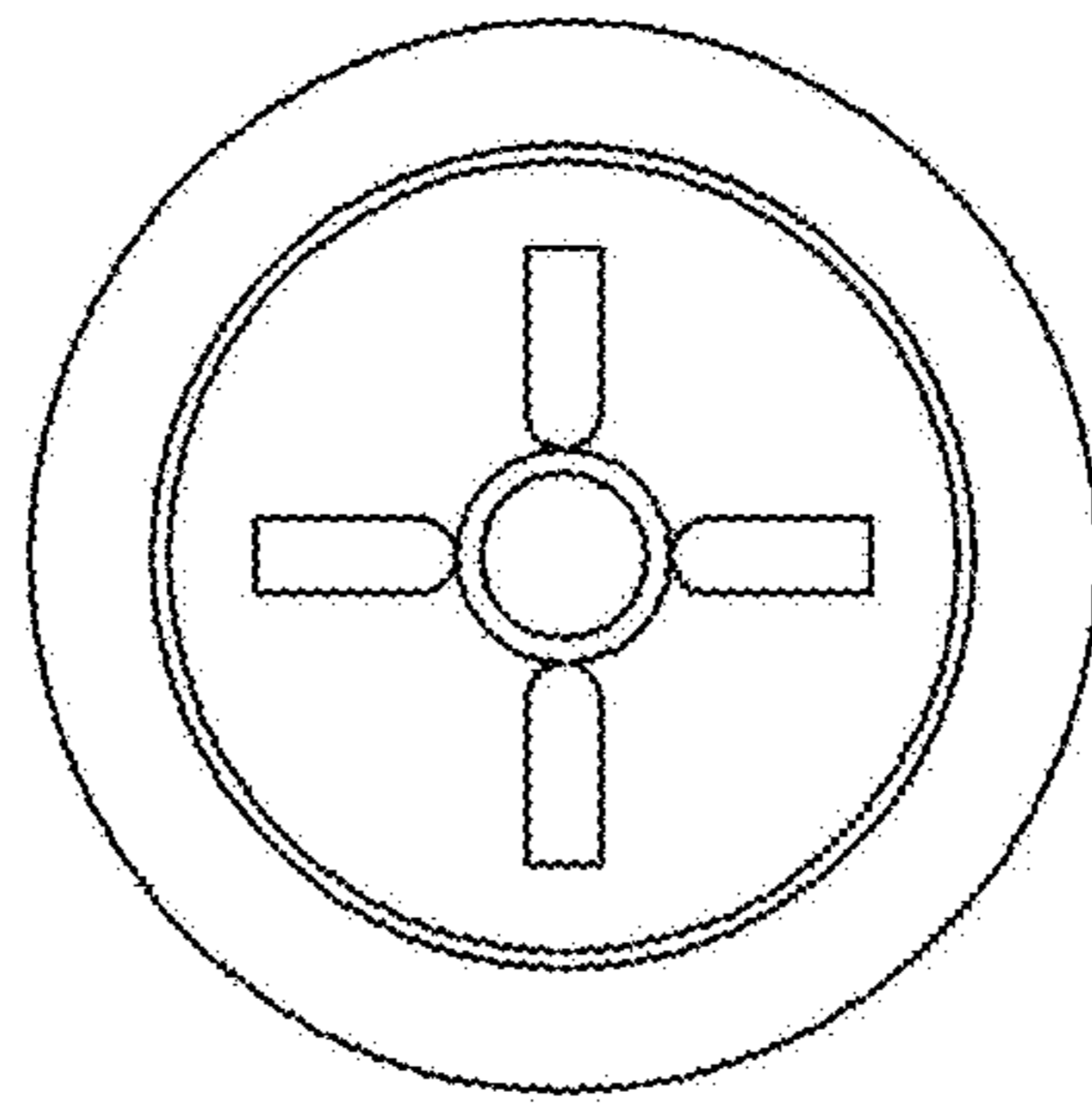


FIG.8

