



US00D762473S

(12) **United States Design Patent**
Willows et al.

(10) **Patent No.:** **US D762,473 S**
(45) **Date of Patent:** **** Aug. 2, 2016**

(54) **BOTTLE CAP**

(71) Applicant: **Amphipod, Inc.**, Seattle, WA (US)

(72) Inventors: **Keith S. Willows**, Seattle, WA (US);
June A. Angus, Seattle, WA (US);
Antonio Del Rosario, Bellevue, WA (US)

(73) Assignee: **Amphipod, Inc.**, Seattle, WA (US)

(**) Term: **14 Years**

(21) Appl. No.: **29/496,220**

(22) Filed: **Jul. 10, 2014**

(51) **LOC (10) Cl.** **09-07**

(52) **U.S. Cl.**
USPC **D9/447**

(58) **Field of Classification Search**
USPC D7/300, 316, 387, 397, 510, 511;
D9/420, 428, 429, 434-440, 443-447,
D9/449-454, 499, 504, 529, 556, 774,
D9/783; 215/252
CPC B65D 51/1688
See application file for complete search history.

(56) **References Cited**

U.S. PATENT DOCUMENTS

D220,250 S * 3/1971 Plummer D9/556
D244,509 S * 5/1977 Jones D9/453
D419,071 S * 1/2000 Peters D9/449
D443,513 S * 6/2001 Goettner D9/452

D445,681 S * 7/2001 Kimble D9/434
D465,730 S * 11/2002 Druitt D9/452
D596,035 S * 7/2009 Shin D9/529
D667,269 S * 9/2012 Pallotto D7/510
D674,689 S * 1/2013 Chen D9/429
D691,420 S * 10/2013 McIntire D7/510
D692,276 S * 10/2013 Cetera D7/510
D721,963 S * 2/2015 Finkbohner D9/453

OTHER PUBLICATIONS

Running Warehouse. Amphipod Jett Large 20 oz. Jan. 6, 2015 [online], [site visited Mar. 4, 2016]. Available from Internet, <URL:http://www.runningwarehouse.com/Amphipod_Jett_Cap_Large_20_oz/descpage-AMJTCL.html>.*

* cited by examiner

Primary Examiner — Robert M Spear
Assistant Examiner — Darcey E Heflin

(74) *Attorney, Agent, or Firm* — Lowe Graham Jones PLLC

(57) **CLAIM**

We claim the ornamental design for a bottle cap, as shown and described.

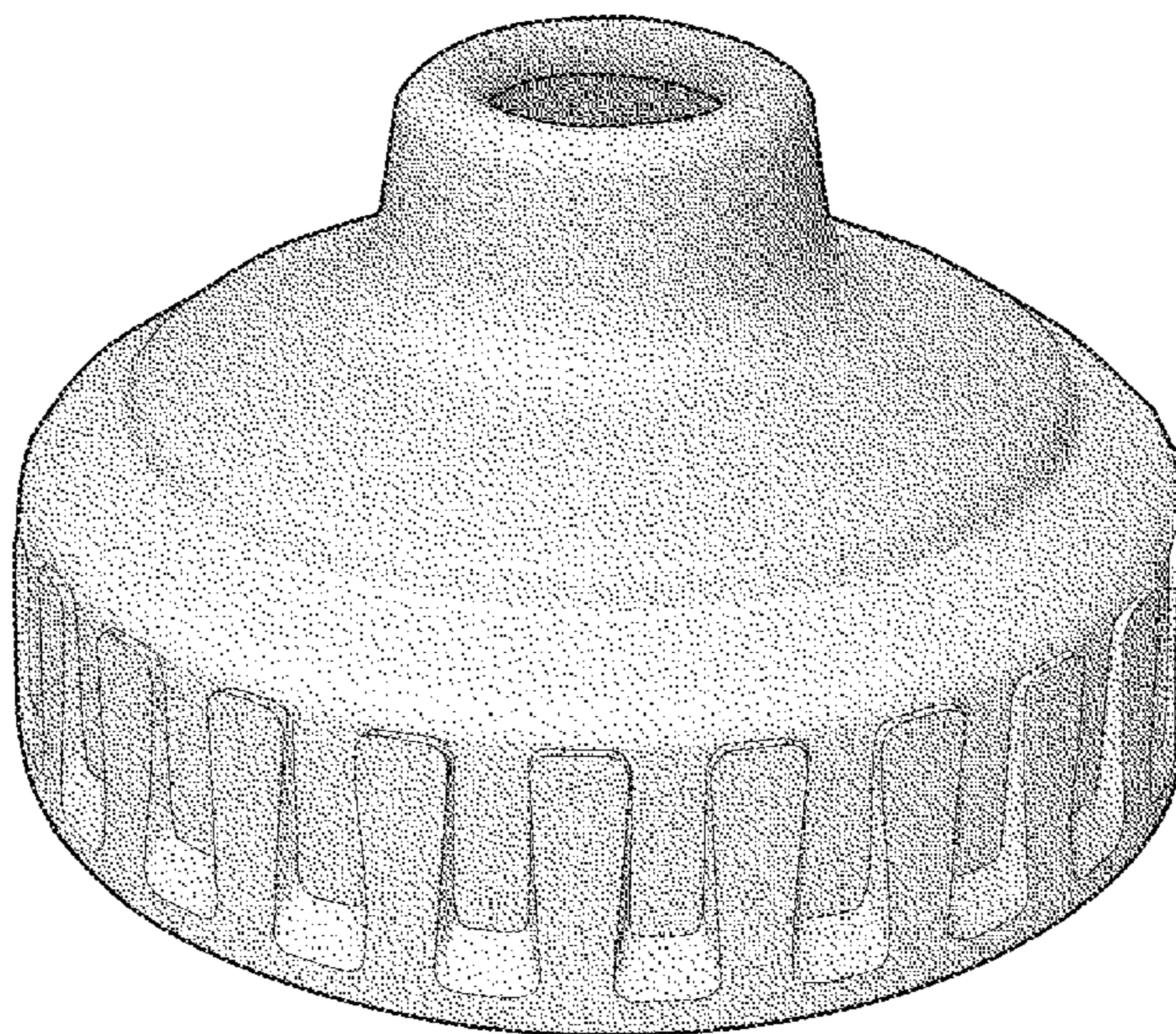
DESCRIPTION

FIG. 1 is a top perspective view of a bottle cap, showing our new design.

FIG. 2 is a top plan view of the bottle cap; and, FIG. 3 is a front plan view of the bottle cap, in which the rear, left side, and right side views are identical.

The bottom view is unornamented and not shown.

1 Claim, 2 Drawing Sheets



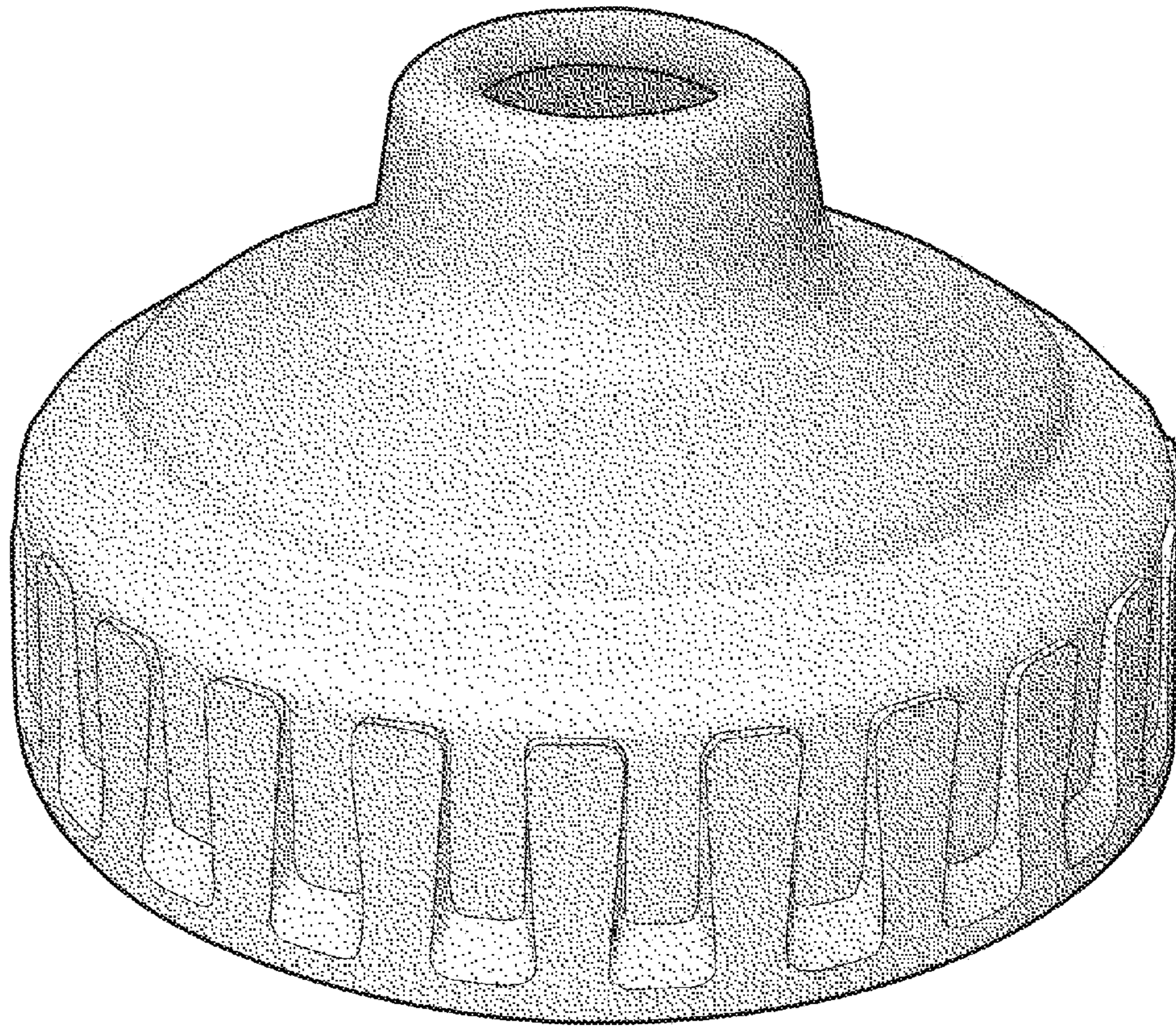


Figure 1

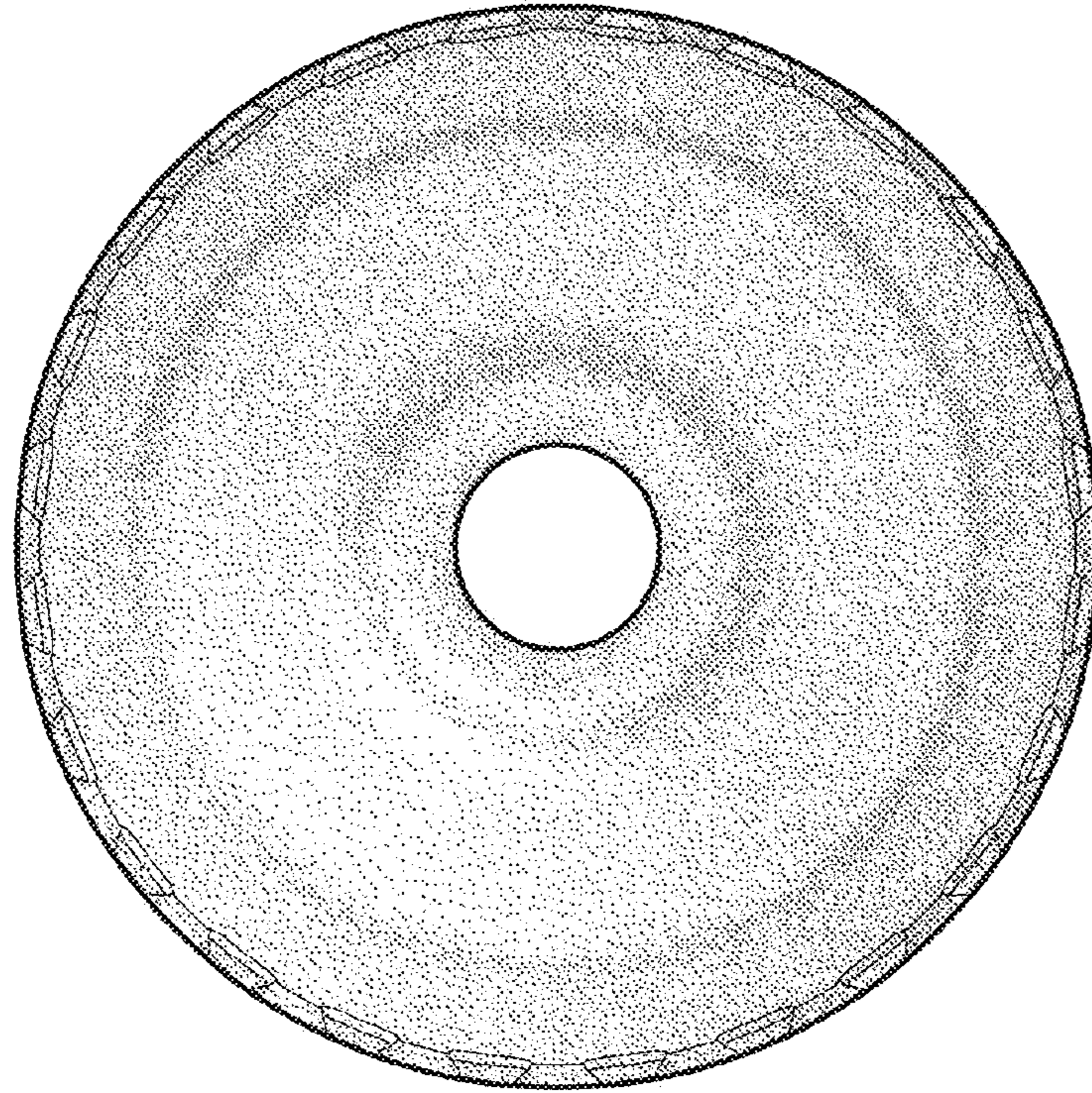


Figure 2

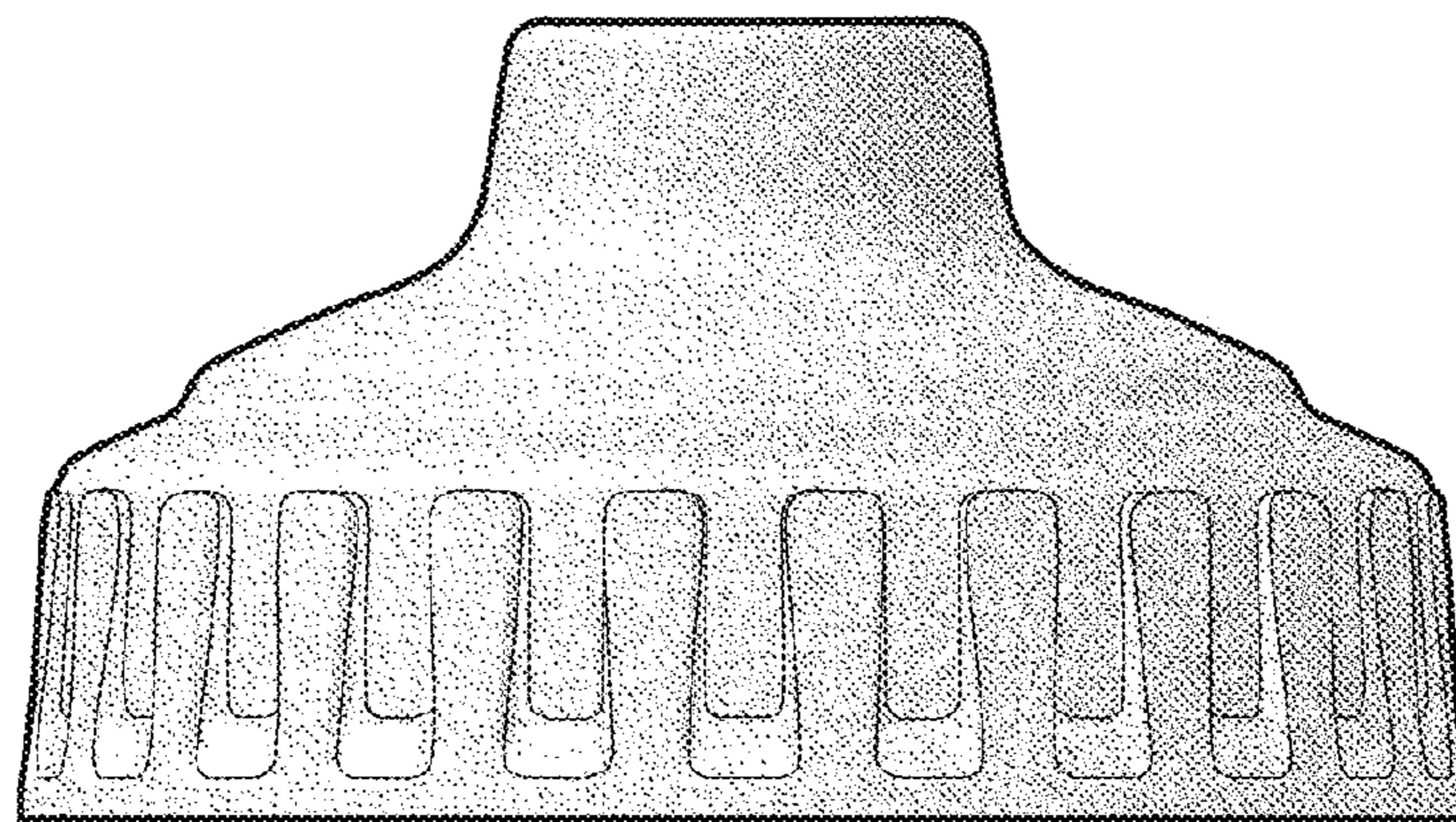


Figure 3