

US00D762472S

(12) **United States Design Patent**  
**Tahmas**

(10) **Patent No.:** **US D762,472 S**

(45) **Date of Patent:** **\*\* Aug. 2, 2016**

(54) **COMBINED CONTAINER LID AND MEASURING SPOON**

(71) Applicant: **Hossai Tahmas**, Oceanside, CA (US)

(72) Inventor: **Hossai Tahmas**, Oceanside, CA (US)

(\*\*) Term: **14 Years**

(21) Appl. No.: **29/486,376**

(22) Filed: **Mar. 28, 2014**

(51) **LOC (10) Cl.** ..... **09-07**

(52) **U.S. Cl.**  
USPC ..... **D9/436; D10/46.2**

(58) **Field of Classification Search**  
USPC ..... D7/391, 392, 392.1, 393, 397, 538, 602, D7/629, 643, 705; D9/424, 428, 430, 432, D9/435, 436, 443, 449, 452, 453, 504, 711, D9/715; 220/212, 213, 231, 260, 287, 305, 220/574, 660, 675, 700, 781, 782, 783, 790, 220/791, 794; 215/10, 390, 391; 222/465.1, 222/475.1; 73/426, 427; D10/46.2, 46.3; 30/123, 125, 324, 327; D24/116  
CPC ..... A47G 19/22; A47G 19/34; B65D 51/246  
See application file for complete search history.

(56) **References Cited**

**U.S. PATENT DOCUMENTS**

2,149,698	A *	3/1939	Humphrey	.....	141/112
2,387,623	A *	10/1945	Tillman	.....	294/180
D156,814	S *	1/1950	Chester	.....	D10/46.3
D167,088	S *	6/1952	Laughlin	.....	D7/691
D176,160	S *	11/1955	Seibert	.....	D7/653
2,853,780	A *	9/1958	Bull	.....	30/327
D212,379	S *	10/1968	Dudas et al.	.....	D7/393
4,192,360	A	3/1980	Rodriquez		
D261,349	S *	10/1981	Ryser	.....	D7/393
D274,218	S *	6/1984	Aramaki	.....	D9/776
D302,793	S *	8/1989	Yamaguchi	.....	D9/436
5,251,774	A	10/1993	Engle		

D348,590	S *	7/1994	Scott	.....	D7/682
D412,448	S *	8/1999	Bentson	.....	D10/46.2
D415,428	S *	10/1999	Keller et al.	.....	D9/503
D483,478	S *	12/2003	Carraher	.....	D24/116
7,644,832	B1 *	1/2010	Tsengas et al.	.....	220/212
D621,710	S *	8/2010	Cueto	.....	D9/504
8,079,488	B2	12/2011	Darflinger		
D655,166	S *	3/2012	Arand et al.	.....	D9/500
D732,902	S *	6/2015	Ebli	.....	D7/653
2012/0073147	A1 *	3/2012	Evans et al.	.....	30/324

**OTHER PUBLICATIONS**

“Medicine Spoon Maw Son & Thompson 1873”. Found online Aug. 12, 2015 at phisick.com. Page dated Mar. 22, 1873. Retrieved from <http://phisick.com/item/medicine-spoon-maw-son-thompson-1873/>.\*

“Laboratory Containers”. Found online Aug. 12, 2015 at southpointesurgical.com. Page dated Mar. 1, 2012. Retrieved from [http://web.archive.org/web/20120301134825/http://www.southpointesurgical.com/gl\\_containers.aspx](http://web.archive.org/web/20120301134825/http://www.southpointesurgical.com/gl_containers.aspx).\*

(Continued)

*Primary Examiner* — Robert M Spear

*Assistant Examiner* — Kendra L Hamilton

(74) *Attorney, Agent, or Firm* — Nath, Goldberg & Meyer; Jerald L. Meyer

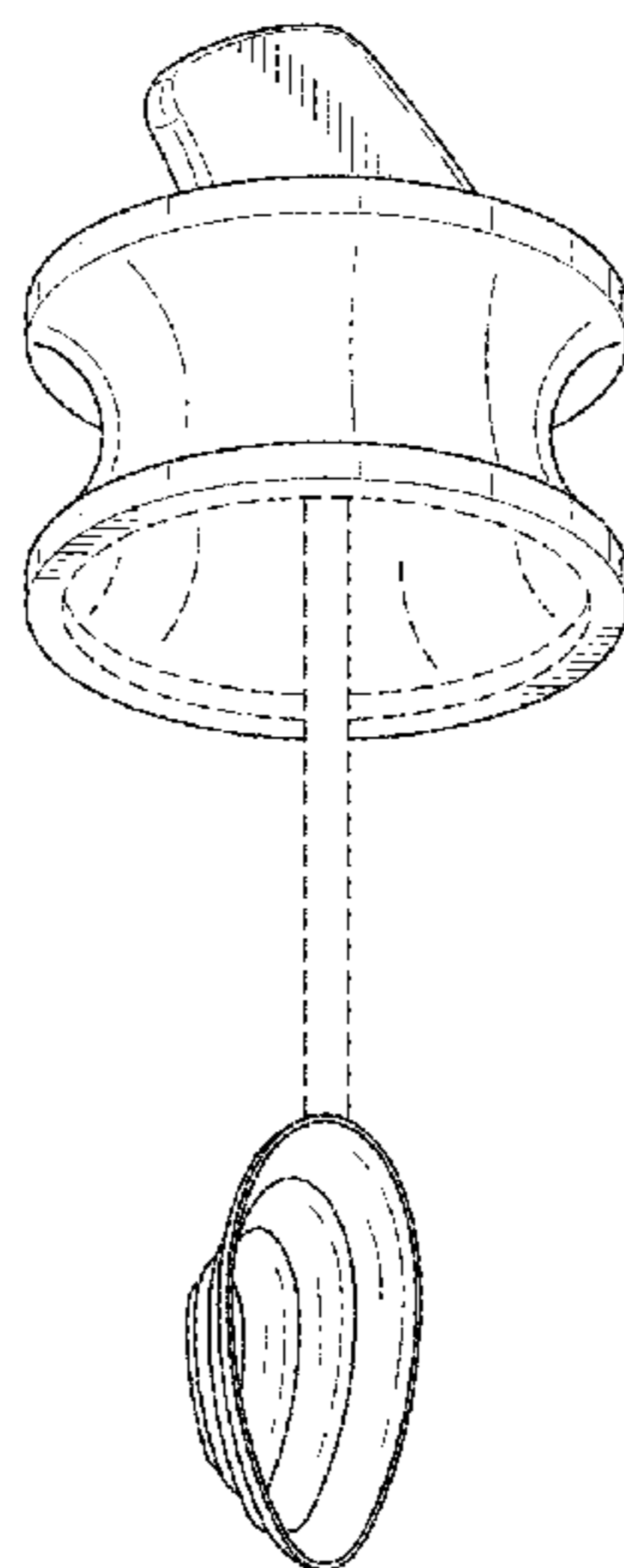
(57) **CLAIM**

The ornamental design for a combined container lid and measuring spoon, as shown and described.

**DESCRIPTION**

FIG. 1 is a perspective view of a combined container lid and measuring spoon showing my new design; FIG. 2 is a front view thereof; and, FIG. 3 is a side view thereof, the opposite side view being a mirror image. The broken lines in the drawings represent unclaimed environmental subject matter and form no part of the claim.

**1 Claim, 1 Drawing Sheet**



(56)

**References Cited**

OTHER PUBLICATIONS

“Behold—The Devil”. Found online Aug. 12, 2015 at dsharp.typepad.com. Page dated Oct. 25, 2007. Retrieved from <http://dsharp.typepad.com/dsharp/2007/10/post-2.html>.\*

“Portion Classic Measuring spoon”, <http://www.quirky.com/shop/95-portion-classic-measure-mix>.

“Portion Measuring spoons”, <http://www.quirky.com/shop/481-portion-measure-mix>.

\* cited by examiner

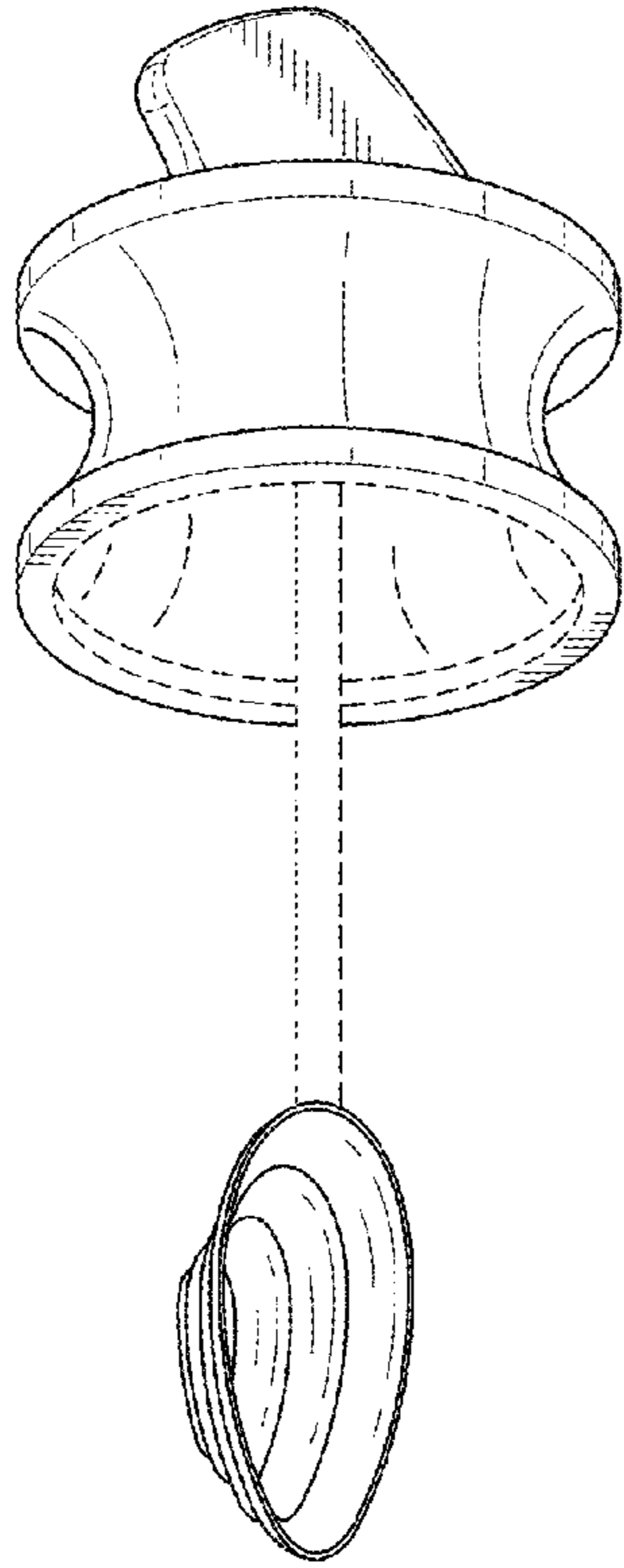


FIG. 1

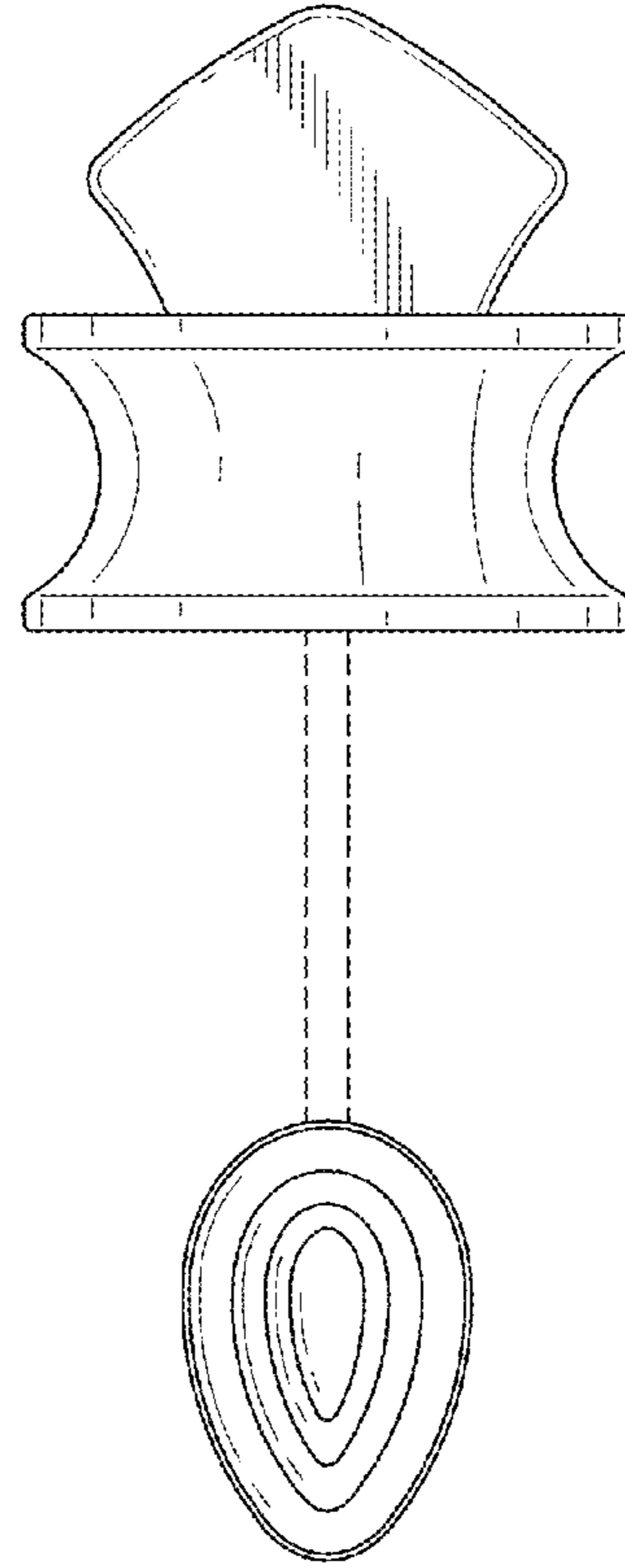


FIG. 2

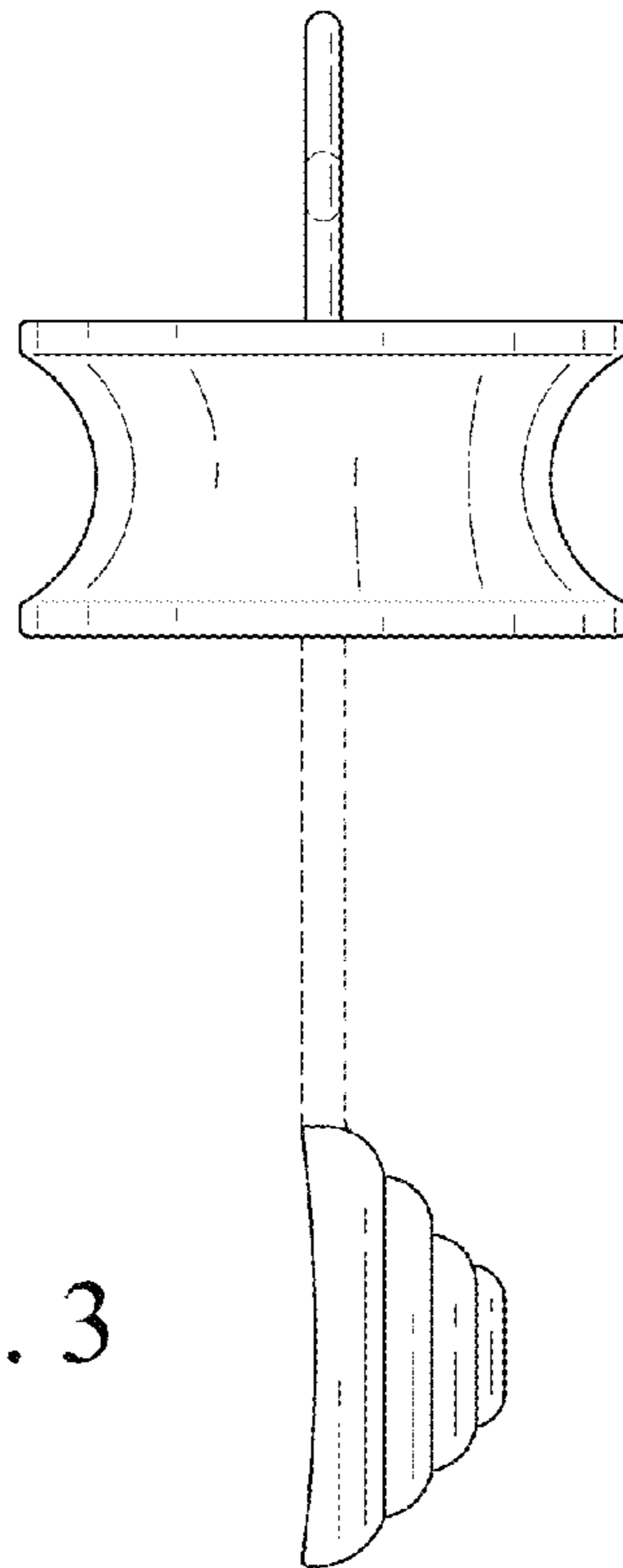


FIG. 3