



US00D762470S

(12) **United States Design Patent**
Cassens et al.

(10) **Patent No.:** **US D762,470 S**
(45) **Date of Patent:** **** Aug. 2, 2016**

(54) **PACKAGING FOR FOOD PRODUCT**
(71) Applicant: **The Hillshire Brands Company,**
Chicago, IL (US)
(72) Inventors: **Martha E. Cassens,** Chicago, IL (US);
Stuart M. Leslie, Larchmont, NY (US);
Jason C. Billig, Mount Vernon, NY
(US); **Diya Sen,** Forest Hills, NY (US);
Jin Namkung, Elmhurst, NY (US);
Madalyn E. Pappas, Pelham, NY (US);
Dwayne Jackson, Brooklyn, NY (US)

3,558,330 A 1/1971 Widiger et al.
4,202,465 A 5/1980 McLaren
4,382,513 A 5/1983 Schirmer et al.
4,813,543 A 3/1989 Goldberg
4,889,731 A 12/1989 Williams, Jr.
4,956,212 A 9/1990 Bekele
5,318,787 A 6/1994 Brauner et al.
5,345,069 A 9/1994 Grindrod
5,586,677 A 12/1996 Foos
5,607,709 A 3/1997 Fritz et al.
D381,563 S 7/1997 Longstreth
D392,159 S 3/1998 Longstreth
6,042,862 A 3/2000 Kocher et al.
6,073,795 A * 6/2000 Longstreth 220/574
D438,794 S * 3/2001 Miles et al. D9/429
D457,037 S * 5/2002 Hayes D7/584

(73) Assignee: **The Hillshire Brands Company,**
Chicago, IL (US)

(**) Term: **14 Years**

(21) Appl. No.: **29/487,845**

(22) Filed: **Apr. 11, 2014**

Related U.S. Application Data

(62) Division of application No. 29/432,643, filed on Sep.
18, 2012, now Pat. No. Des. 705,051.

(51) **LOC (10) Cl.** **09-03**

(52) **U.S. Cl.**
USPC **D9/429**

(58) **Field of Classification Search**
USPC D9/629, 414-434, 707, 710, 759, 652,
D9/756, 732, 761; 206/461-471; D7/565,
D7/610, 354, 629, 538; 426/112;
220/574-575

See application file for complete search history.

(56) **References Cited**

U.S. PATENT DOCUMENTS

D43,852 S * 4/1913 Sanford D7/565
D77,939 S * 3/1929 Dimes, Jr. D7/565
D164,407 S 9/1951 Cowan

(Continued)

Primary Examiner — Susan Bennett Hattan

Assistant Examiner — Brett Miller

(74) *Attorney, Agent, or Firm* — Duane Morris LLP

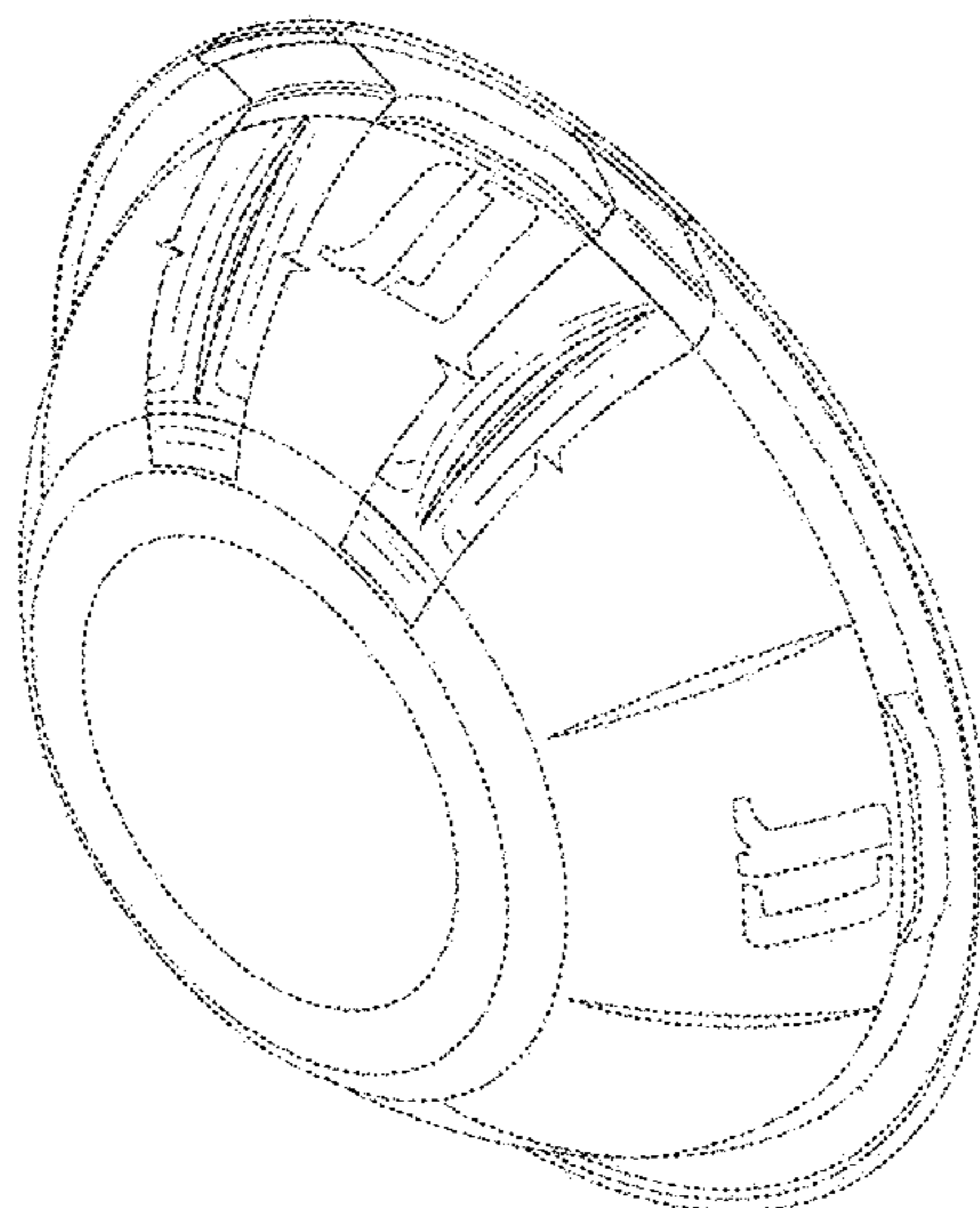
(57) **CLAIM**

We claim the ornamental design for a packaging for food product, as shown and described.

DESCRIPTION

FIG. 1 is a perspective view of the claimed design;
FIG. 2 is a top view thereof;
FIG. 3 is a bottom view thereof;
FIG. 4 is a front view thereof;
FIG. 5 is a right side view thereof;
FIG. 6 is a left side view thereof;
FIG. 7 is a rear view thereof; and,
FIG. 8 is a section view thereof taken along line 8-8 in FIG. 4.
The dash-dash and dash-dot boundary lines(s) defines the boundary of the claimed design and forms no part of the claimed design. The design is shown with symbolic break lines. The appearance of any portion of the article between the break lines forms no part of the claimed design. The broken lines depict portions of the packaging for food product that form no part of the claimed design.

1 Claim, 8 Drawing Sheets



(56)

References Cited

U.S. PATENT DOCUMENTS

D476,852 S	7/2003	Willis		D606,404 S	12/2009	Diss	
D479,097 S	9/2003	Willis		7,671,308 B2	3/2010	Kreisman et al.	
D479,672 S	9/2003	Wichmann et al.		7,726,483 B2	6/2010	Ramanujam et al.	
6,616,998 B2	9/2003	Greer et al.		7,731,997 B2	6/2010	Castellanos et al.	
D481,943 S *	11/2003	Hobbs	D9/756	7,862,318 B2	1/2011	Middleton et al.	
6,667,082 B2	12/2003	Bamore et al.		7,993,692 B2	8/2011	Finley et al.	
6,669,046 B1	12/2003	Sawada et al.		D673,849 S	1/2013	Barbier	
6,670,023 B2	12/2003	Mueller		D734,665 S *	7/2015	Cahen et al.	D9/429
6,672,473 B2	1/2004	Torniainen et al.		2003/0183637 A1	10/2003	Zappa et al.	
D494,062 S	8/2004	Willis		2005/0077297 A1	4/2005	Marshburn et al.	
6,769,227 B2	8/2004	Mumpower et al.		2005/0150891 A1	7/2005	Schalk et al.	
6,861,127 B2	3/2005	Glawe et al.		2006/0068063 A1	3/2006	Zerfas et al.	
6,979,494 B2	12/2005	Berrier et al.		2006/0147588 A1	7/2006	Garwood	
7,017,775 B2	3/2006	Zettle et al.		2006/0191935 A1	8/2006	Tuszkiewicz et al.	
7,056,593 B2	6/2006	Kennedy et al.		2007/0116805 A1	5/2007	Castellanos et al.	
D527,588 S *	9/2006	de Groote et al.	D7/629	2008/0248162 A1	10/2008	Cook et al.	
D545,627 S	7/2007	Chatterton et al.		2009/0291174 A1	11/2009	Lewis	
7,261,219 B2	8/2007	Tucker et al.		2010/0176122 A1	7/2010	Tuszkiewicz et al.	
D556,569 S	12/2007	Stein et al.		2010/0255162 A1	10/2010	Becraft et al.	
D605,502 S *	12/2009	Honda et al.	D9/429	2010/0307116 A1	12/2010	Fisher	
				2011/0012291 A1	1/2011	Middleton et al.	
				2011/0056949 A1	3/2011	Reiterer et al.	
				2011/0247961 A1	10/2011	Mondini	

* cited by examiner

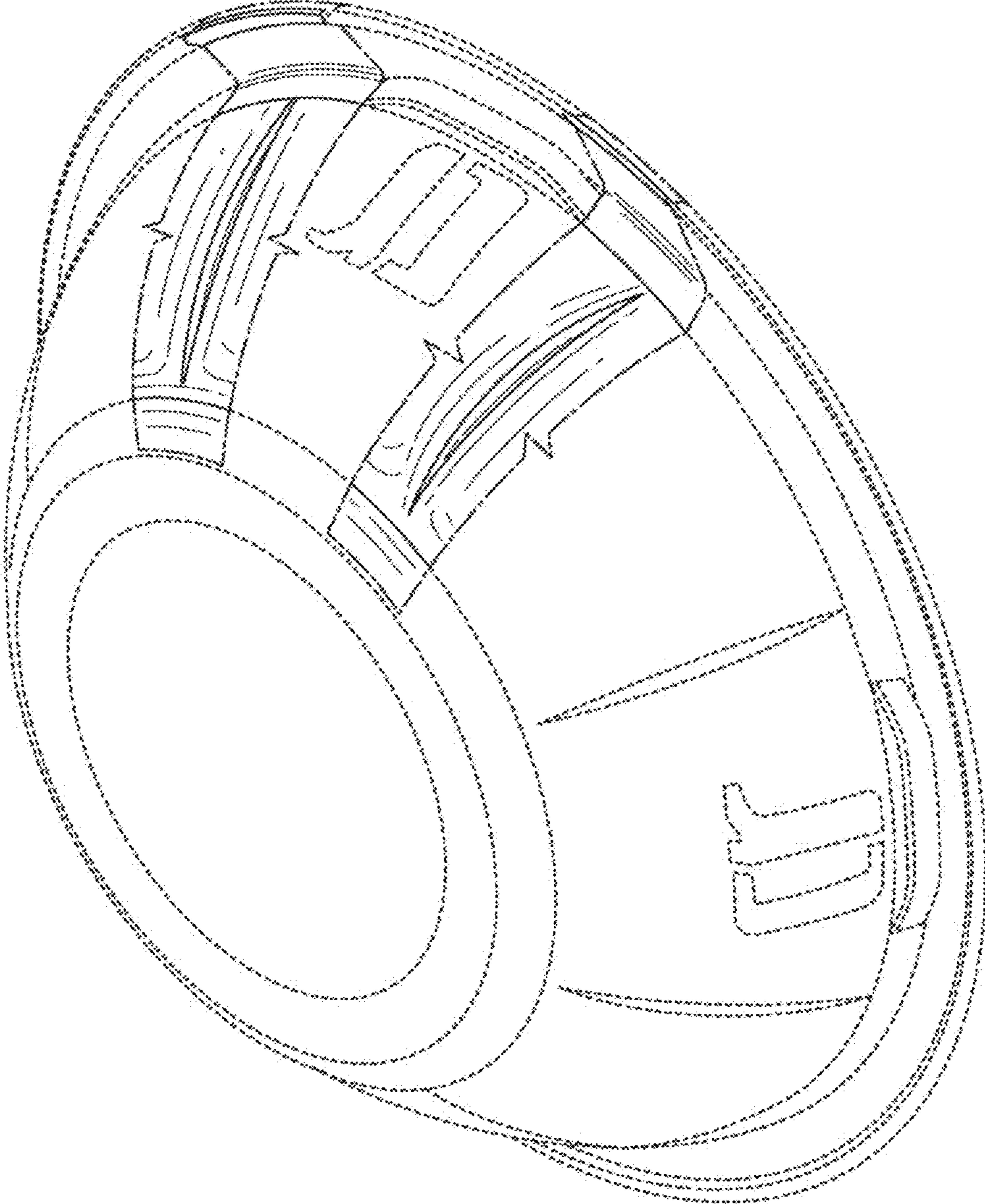


FIG. 1

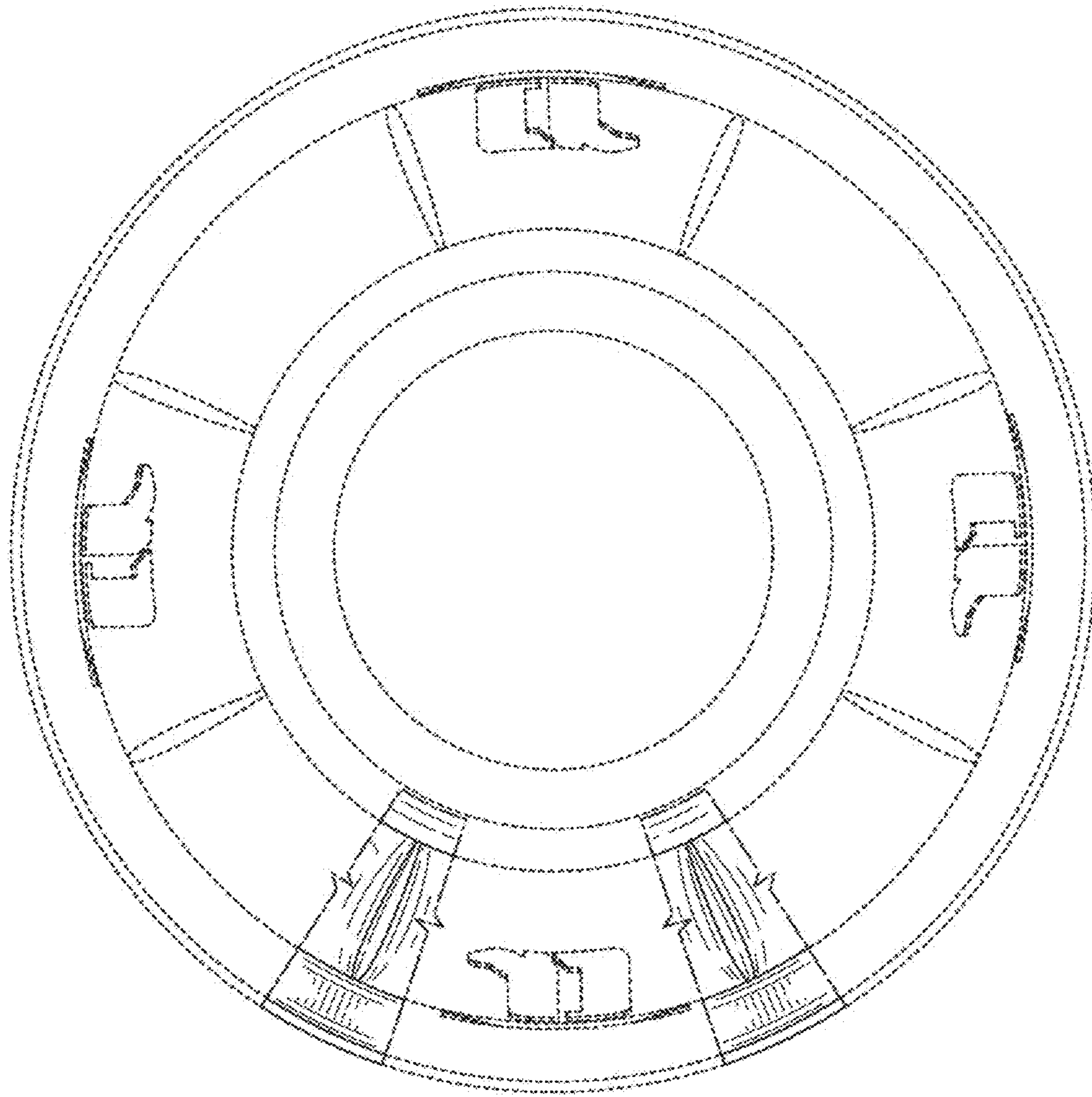


FIG. 2

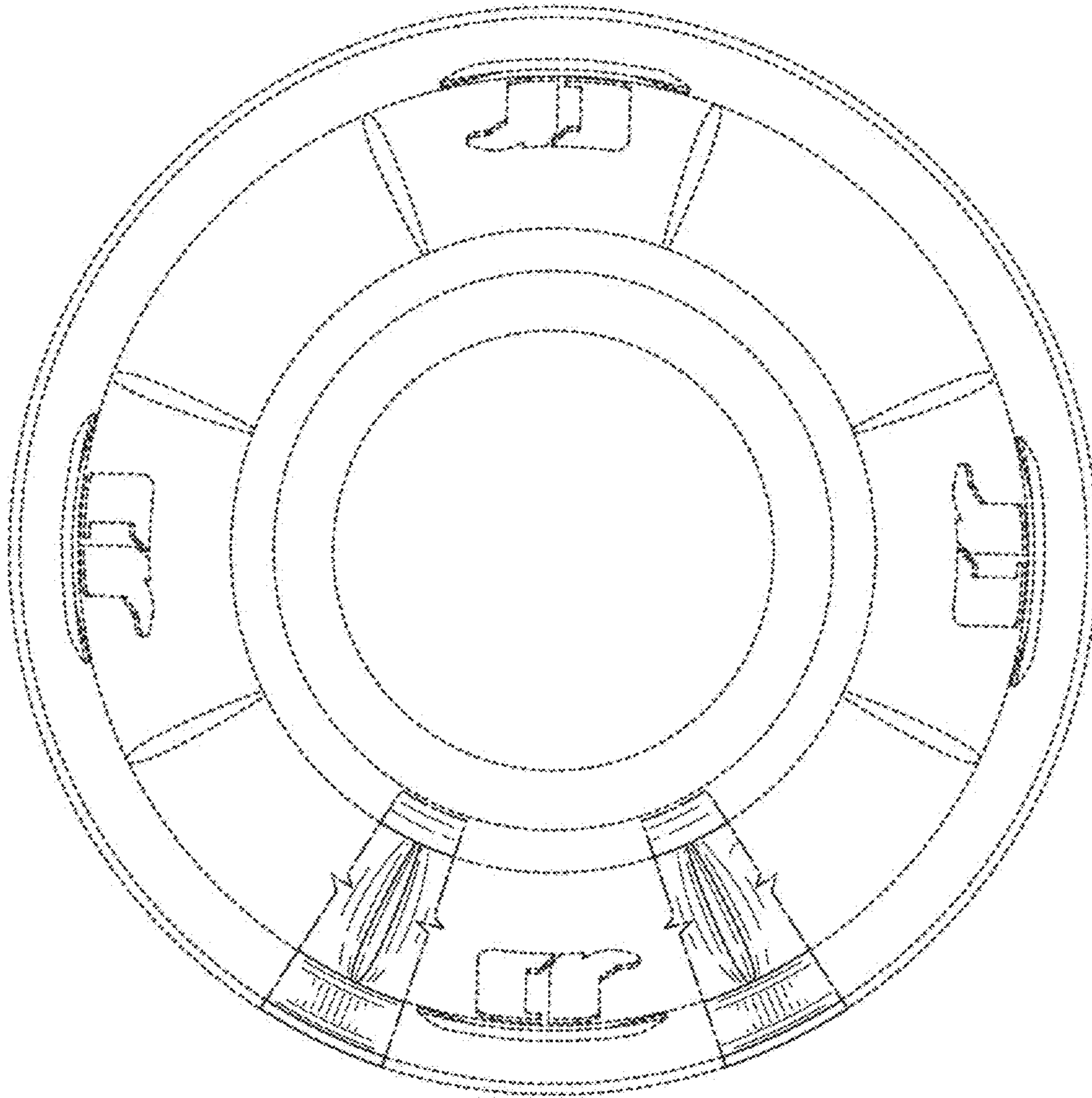


FIG. 3

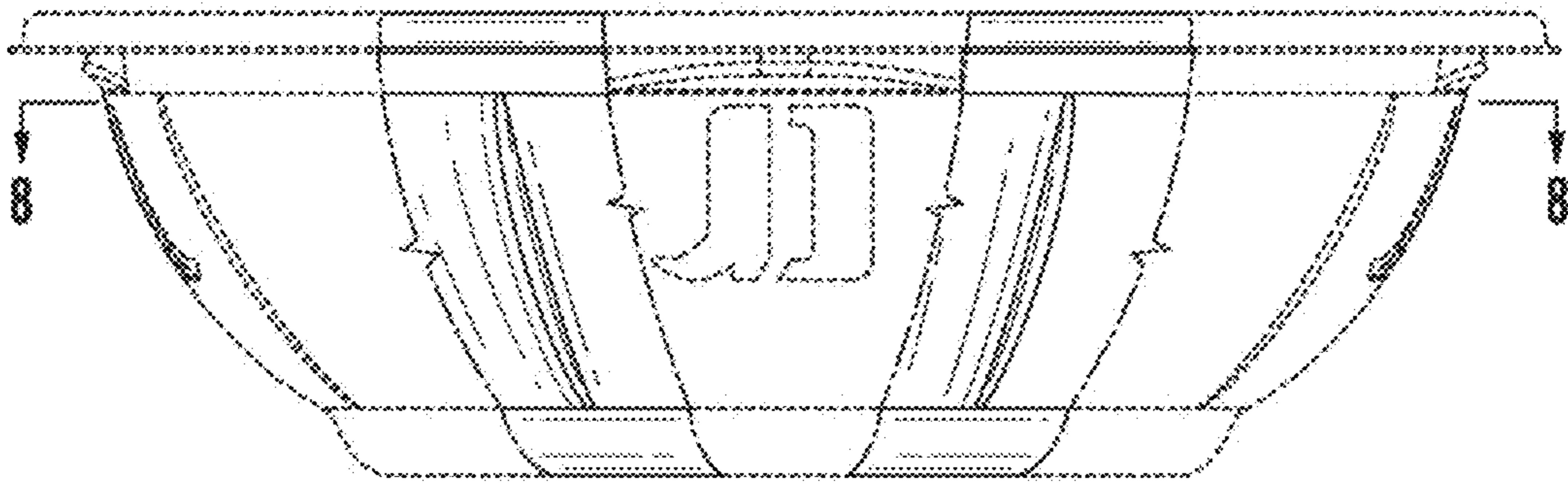


FIG. 4

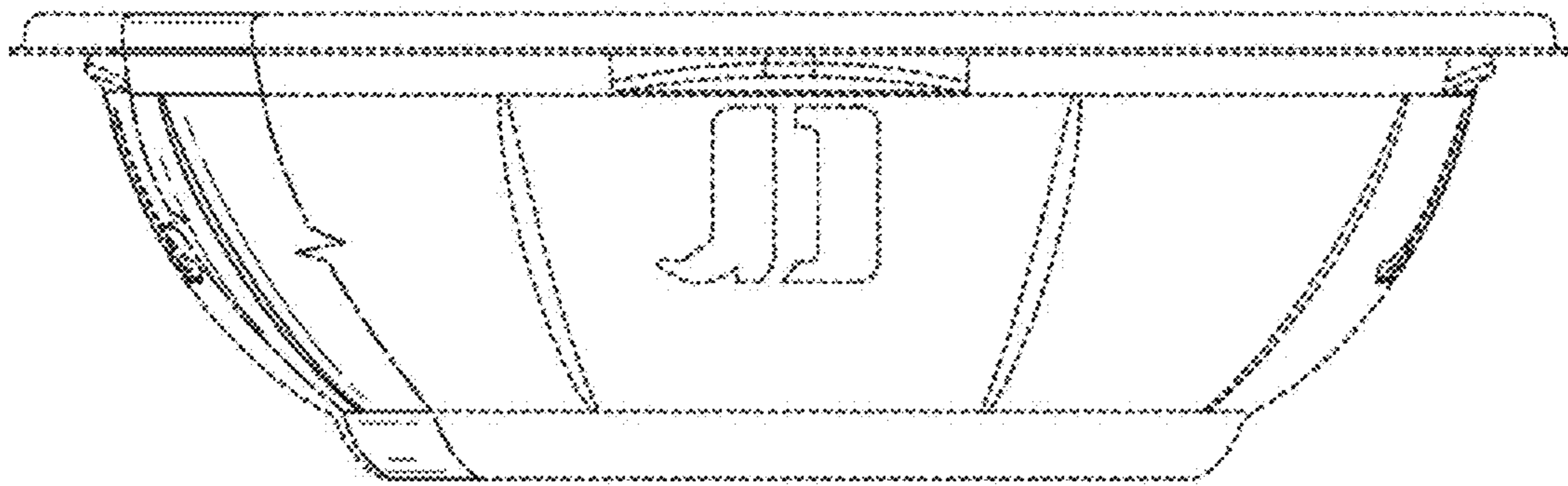


FIG. 5

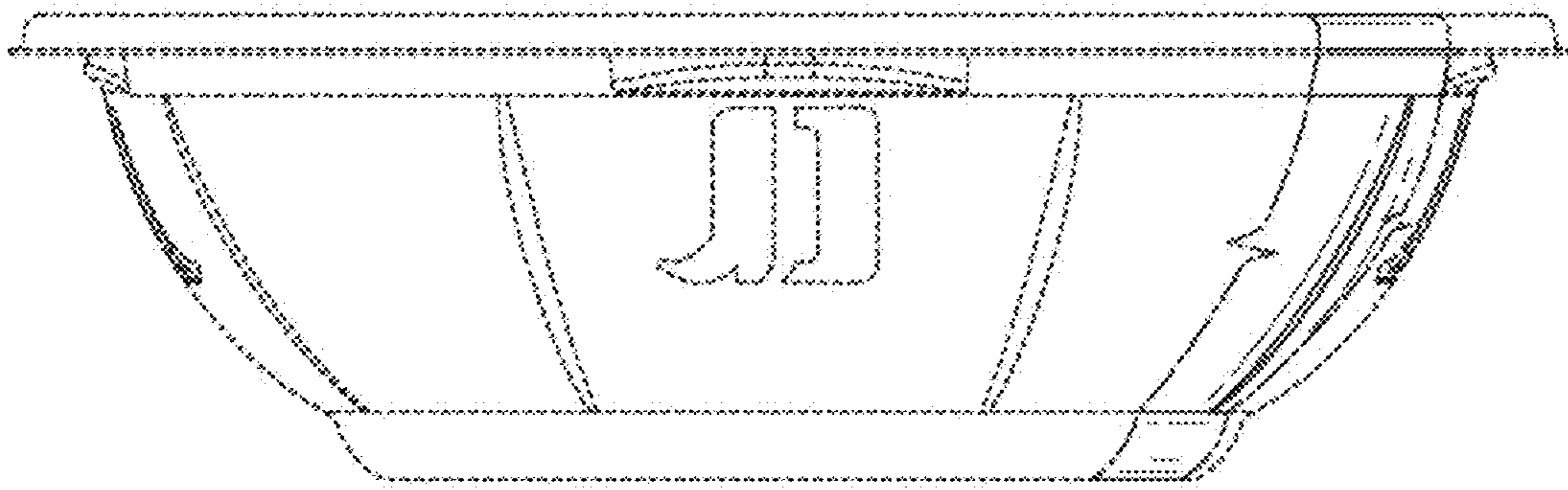


FIG. 6

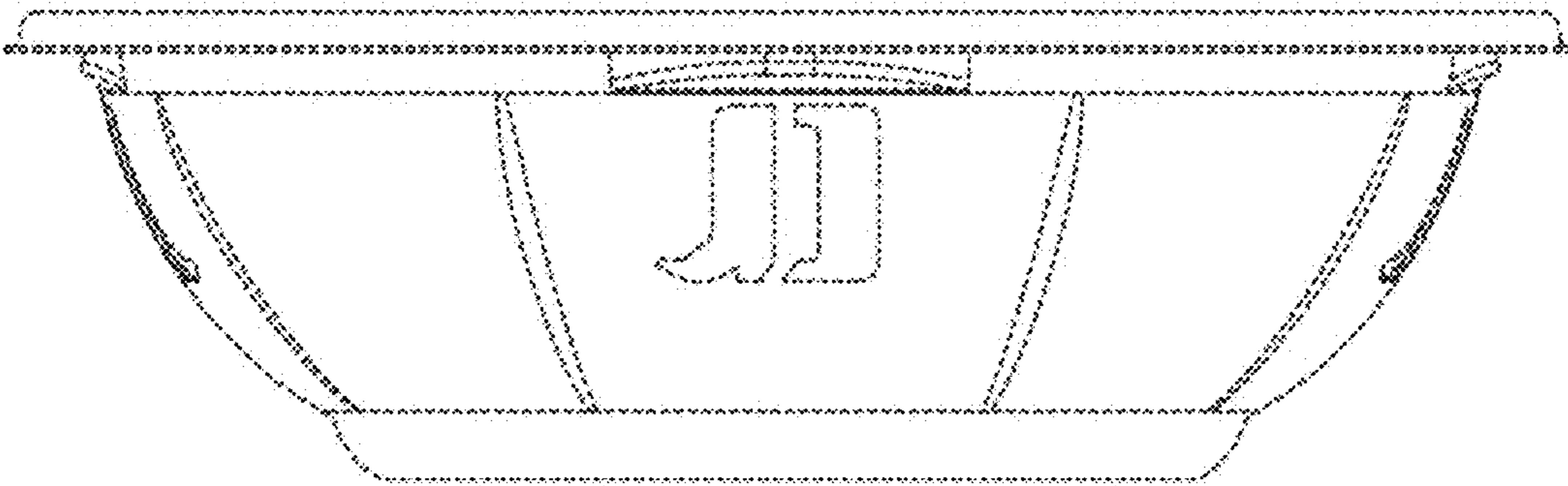


FIG. 7

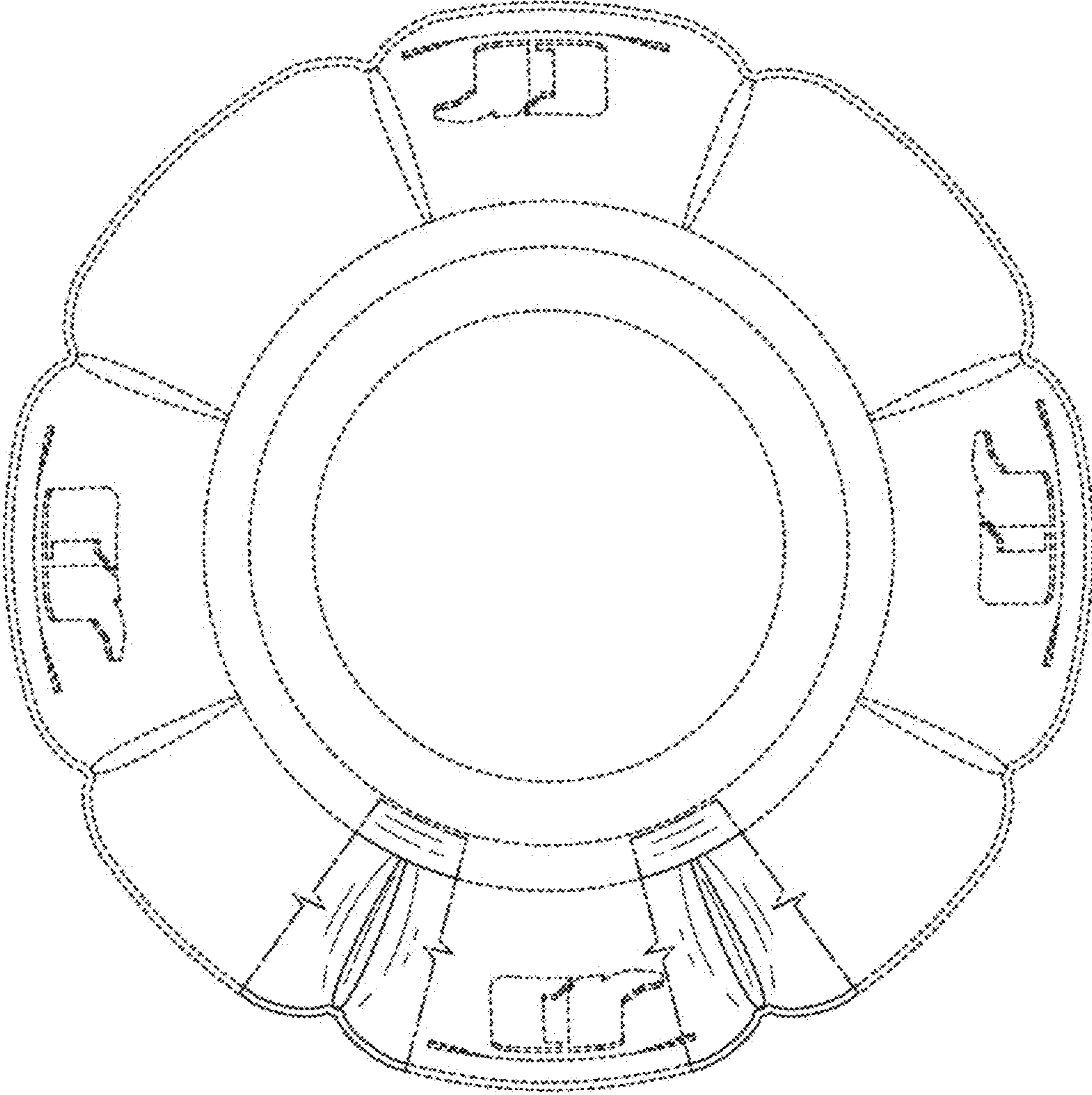


FIG. 8