

US00D762469S

(12) **United States Design Patent**
Wood

(10) **Patent No.:** **US D762,469 S**
(45) **Date of Patent:** **** Aug. 2, 2016**

(54) **CONTAINER**

(71) Applicant: **Sterilite Corporation**, Townsend, MA
(US)

(72) Inventor: **Michelle Wood**, Ayer, MA (US)

(73) Assignee: **Sterilite Corporation**, Townsend, MA
(US)

(**) Term: **14 Years**

(21) Appl. No.: **29/498,629**

(22) Filed: **Aug. 6, 2014**

(51) **LOC (10) Cl.** **09-03**

(52) **U.S. Cl.**
USPC **D9/425**

(58) **Field of Classification Search**
USPC D9/414, 415, 416, 419, 420, 421, 422,
D9/423, 424, 425, 426, 427, 428, 429, 432,
D9/454, 457, 652, 667, 721, 904;
D7/619.1; 229/400, 401, 403, 404,
229/405, 406, 407, 779; 220/592.16,
220/656-659, 662, 665, 669-675,
220/4.21-4.27; 206/214, 217, 431, 503,
206/514, 521.1, 528, 530, 557, 564, 775,
206/776, 779
CPC A47J 36/06; A47J 47/14; B65D 1/22;
B65D 1/34; B65D 1/40; B65D 1/165; B65D
15/02; B65D 21/083; B65D 21/0233; B65D
21/0234; B65D 43/162; B65D 71/50; B65D
77/24; B65D 77/245; B65D 81/3869; B65D
2543/00046; B65D 2543/00083; B65D
2543/00092; B65D 2543/00296; B65D 3/06;
B65D 3/28; B65D 5/4204; B65D 7/46;
B65D 85/34; B21D 51/18; B21D 51/2646

See application file for complete search history.

(56) **References Cited**

U.S. PATENT DOCUMENTS

D235,195 S *	5/1975	Sauey, Jr. et al.	D3/294
D246,439 S *	11/1977	Lynn	D9/425
D248,215 S *	6/1978	Cherry	D9/418
D284,253 S *	6/1986	Carlson	D7/629
D284,944 S *	8/1986	Carlson	D9/425
D302,774 S *	8/1989	Murphy	D7/629
5,018,287 A	5/1991	Fast	
D328,425 S *	8/1992	Brightbill	D3/282
D330,161 S *	10/1992	Schuh	D9/423
D334,453 S *	3/1993	Koloski	D3/294
5,433,336 A	7/1995	Kristoffersson	

(Continued)

OTHER PUBLICATIONS

“Bigso Box of Sweden,” retrieved online from URL:<http://bigso.se/?page_id=807>, 4 pages (retrieved on Dec. 23, 2015).

(Continued)

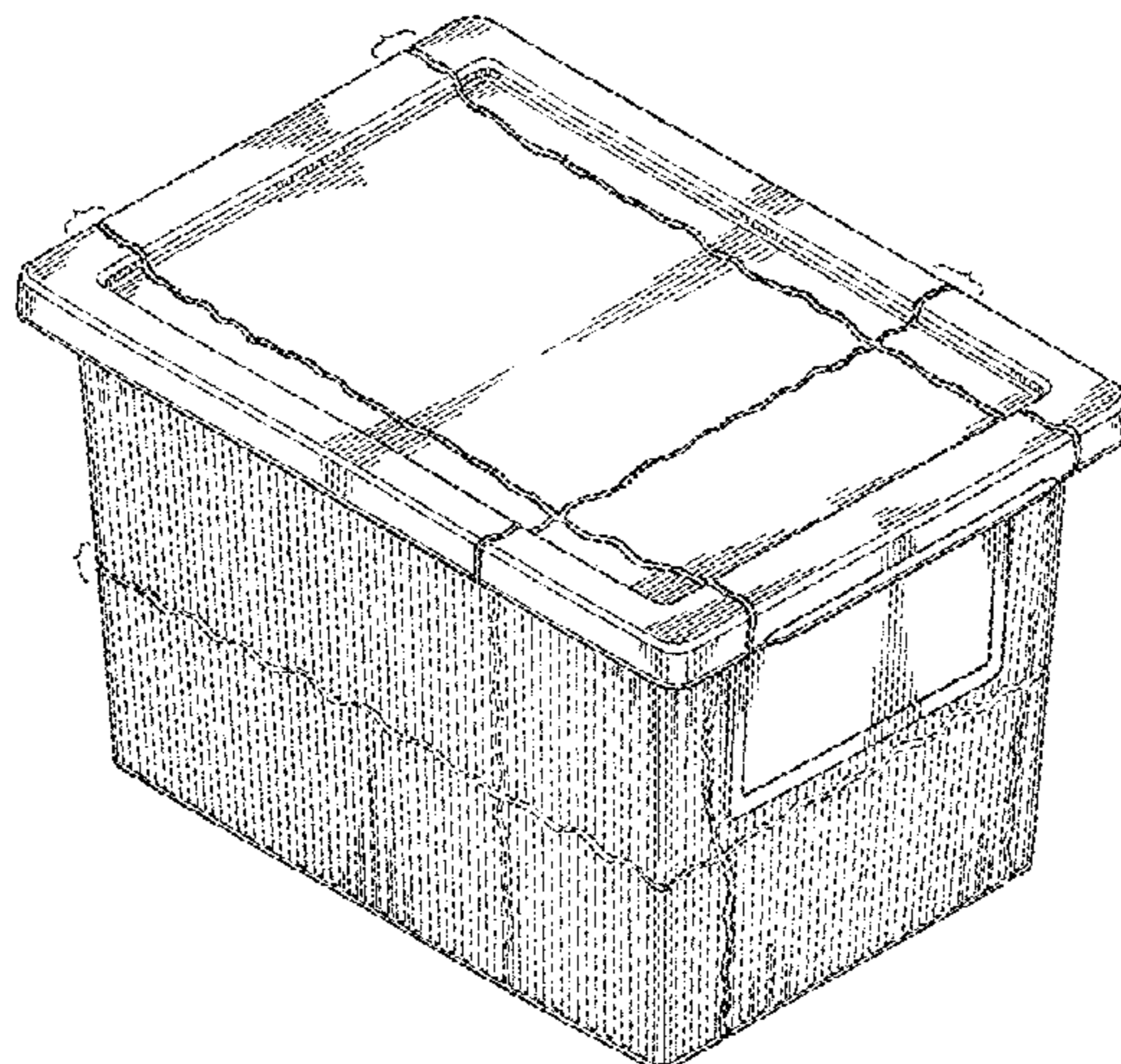
Primary Examiner — Karen S Acker
Assistant Examiner — Wendy Arminio
(74) *Attorney, Agent, or Firm* — Wilmer Cutler Pickering
Hale and Dorr LLP

(57) **CLAIM**
The ornamental design for a container, as shown and described.

DESCRIPTION

FIG. 1 is a top, front and left side perspective view of a container showing my new design;
FIG. 2 is a front elevational view thereof;
FIG. 3 is a rear elevational view thereof;
FIG. 4 is a left side elevational view thereof;
FIG. 5 is a right side elevational view thereof;
FIG. 6 is a top plan view thereof; and,
FIG. 7 is a bottom plan view thereof.
The broken lines shown in the drawings depict portions of the Container that form no part of the claimed design. The Container is shown with symbolic breaks in its length and width. The appearance of any portions of the article between the break lines forms no part of the claimed design.

1 Claim, 4 Drawing Sheets



(56)

References Cited

U.S. PATENT DOCUMENTS

D367,760	S *	3/1996	Zimmerman	D3/314
D374,555	S *	10/1996	McMath	D3/272
D379,718	S *	6/1997	Raghunathan	D3/312
D382,112	S *	8/1997	Egan	D3/273
D397,553	S *	9/1998	Zimmerman	D3/314
5,816,674	A *	10/1998	Manos	A47B 87/0284 312/108
5,992,673	A *	11/1999	Hwang	B65D 21/022 206/508
D427,769	S *	7/2000	Zimmerman	D3/273
D429,565	S *	8/2000	Aiken	D3/273
D504,771	S *	5/2005	Boyd	D3/273
6,959,507	B2	11/2005	Bazany et al.		
7,131,224	B1	11/2006	Elliott et al.		
D595,128	S *	6/2009	Bouveret	D7/545
D643,628	S *	8/2011	Monarch	D3/302
D654,690	S *	2/2012	Sofy	D3/309
D708,875	S *	7/2014	McNamara	D6/705
D738,623	S *	9/2015	Wood	D3/302
2014/0007473	A1	1/2014	Rossell		

OTHER PUBLICATIONS

Akro-Mils, "Shelfmax8 Bins," retrieved online from URL:<<https://akro-mils.com/Products/Industrial/Standard-Storage-Bins/Shelf-Bins.aspx>>, 4 pages (retrieved on Dec. 23, 2015).

Decor, "Telfresh," retrieved online from URI:<<http://www.decor.com.au/brands/telfresh>>, 5 pages (retrieved on Dec. 23, 2015).

Plast Team, "Tag Store," retrieved online from URL:<<http://plast-team.com/product-category/storage/tag-store/>>, 6 pages (retrieved on Dec. 23, 2015).

Reisenthel, "Storagebox S," retrieved online from URL:<<https://www.reisenthel.com/en/living/Products/storagebox-S/>>, 7 pages (retrieved on Dec. 23, 2015).

Sterilite, "2012 Product Catalog," Sterilite Corporation, 36 pages, relevant pp. are 4-9, 14-15 and 35 (2012).

Sterilite, "2013 Specification Book," Sterilite Corporation, 32 pages, relevant pp. are 15 and 17-26 (2013).

Sterilite, "2014 Product Catalog," Sterilite Corporation, 36 pages, relevant pp. are 4-10, 14-18 and 35 (Mar. 10, 2014).

Stewart Catering: Food Storage—"Gastronorm Identclip," retrieved online from URL:<<http://www.stewart-catering.co.uk/products>>, 2 pages (retrieved on Dec. 23, 2015).

TwinBin, "TiltBin Dispensers," retrieved online from URL:<<http://twinbin.com/products/tiltbin-dispensers/>>, 5 pages (retrieved on Dec. 23, 2015).

* cited by examiner

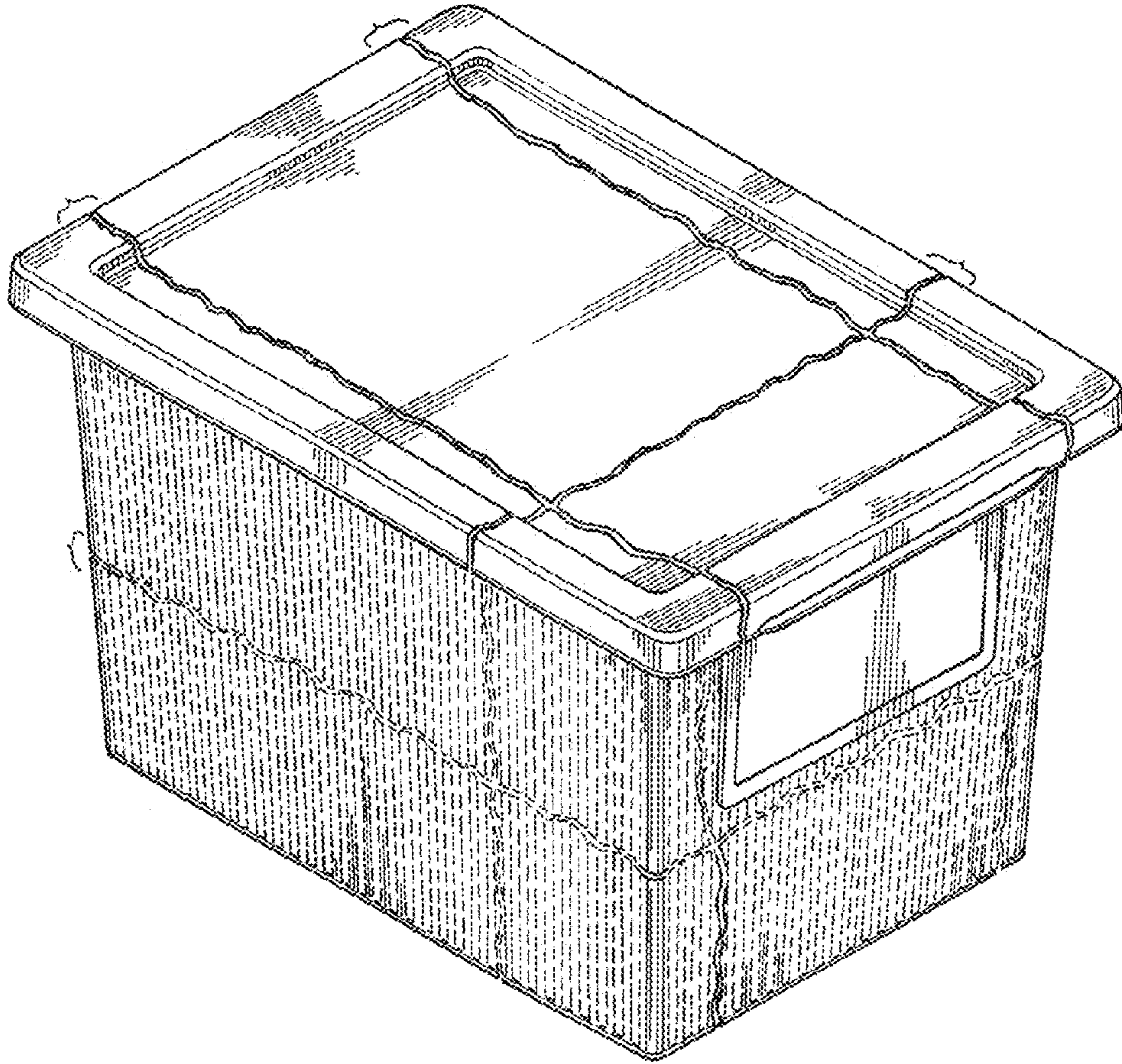


Fig. 1

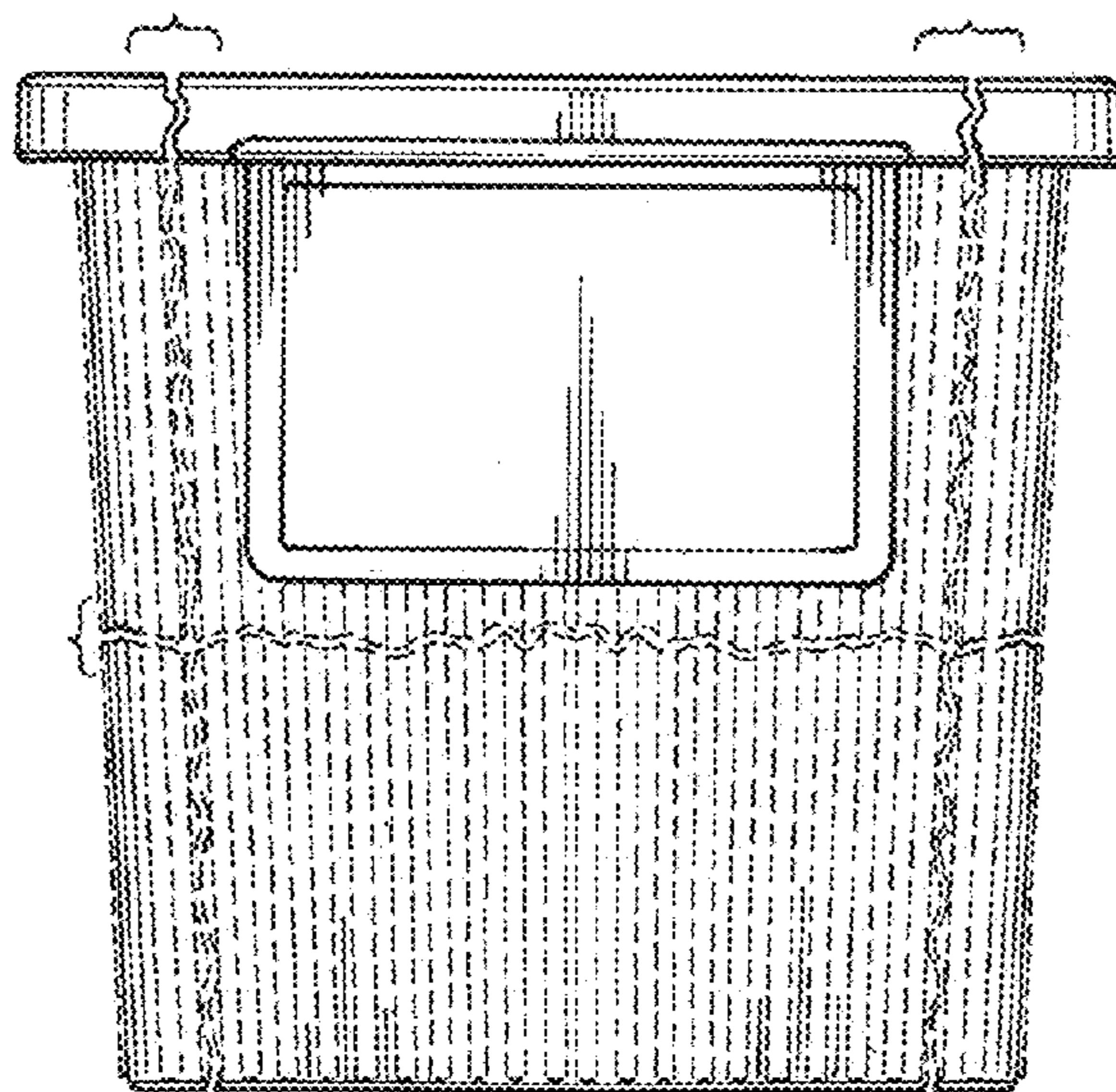


Fig. 2

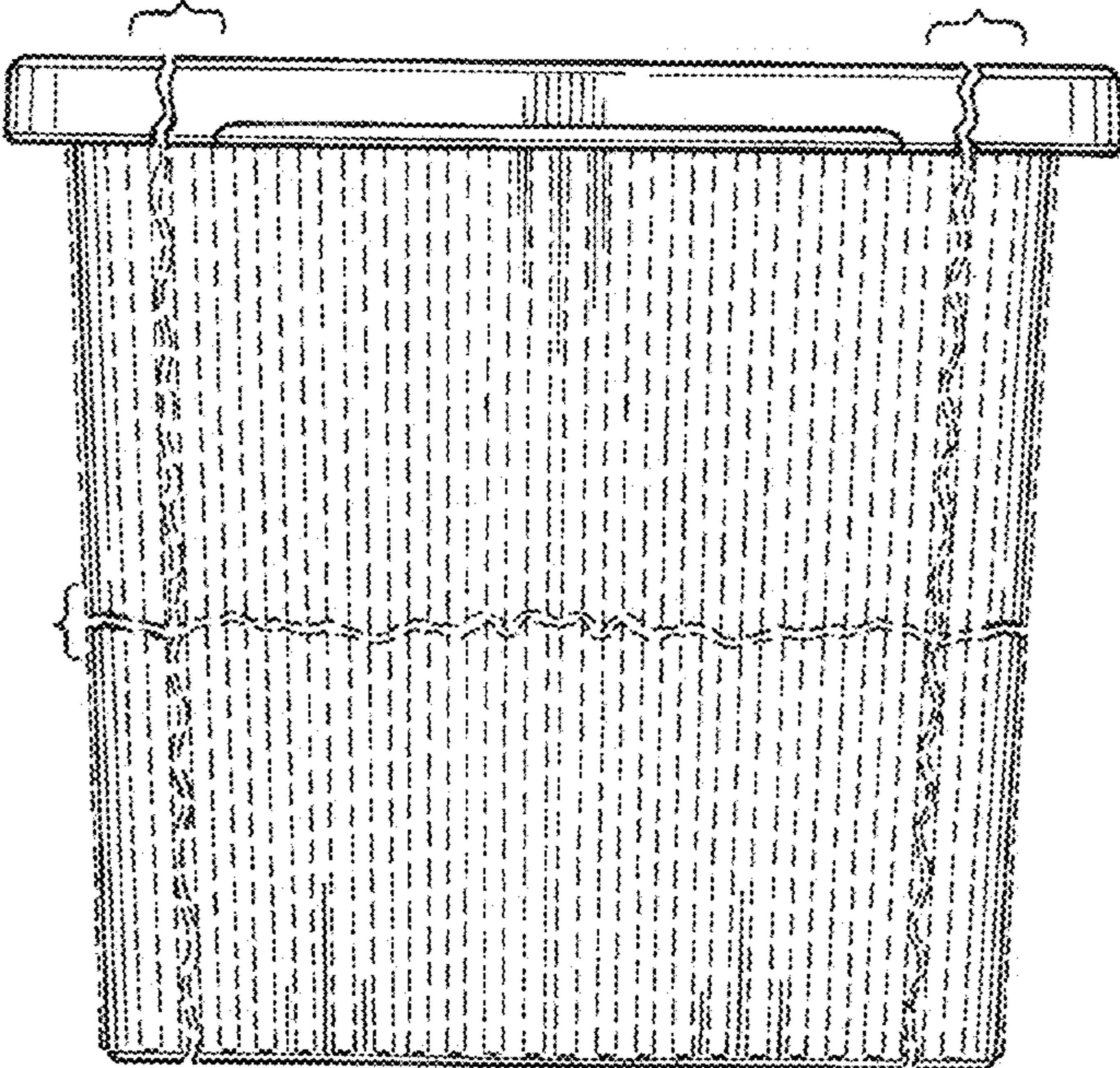


Fig. 3

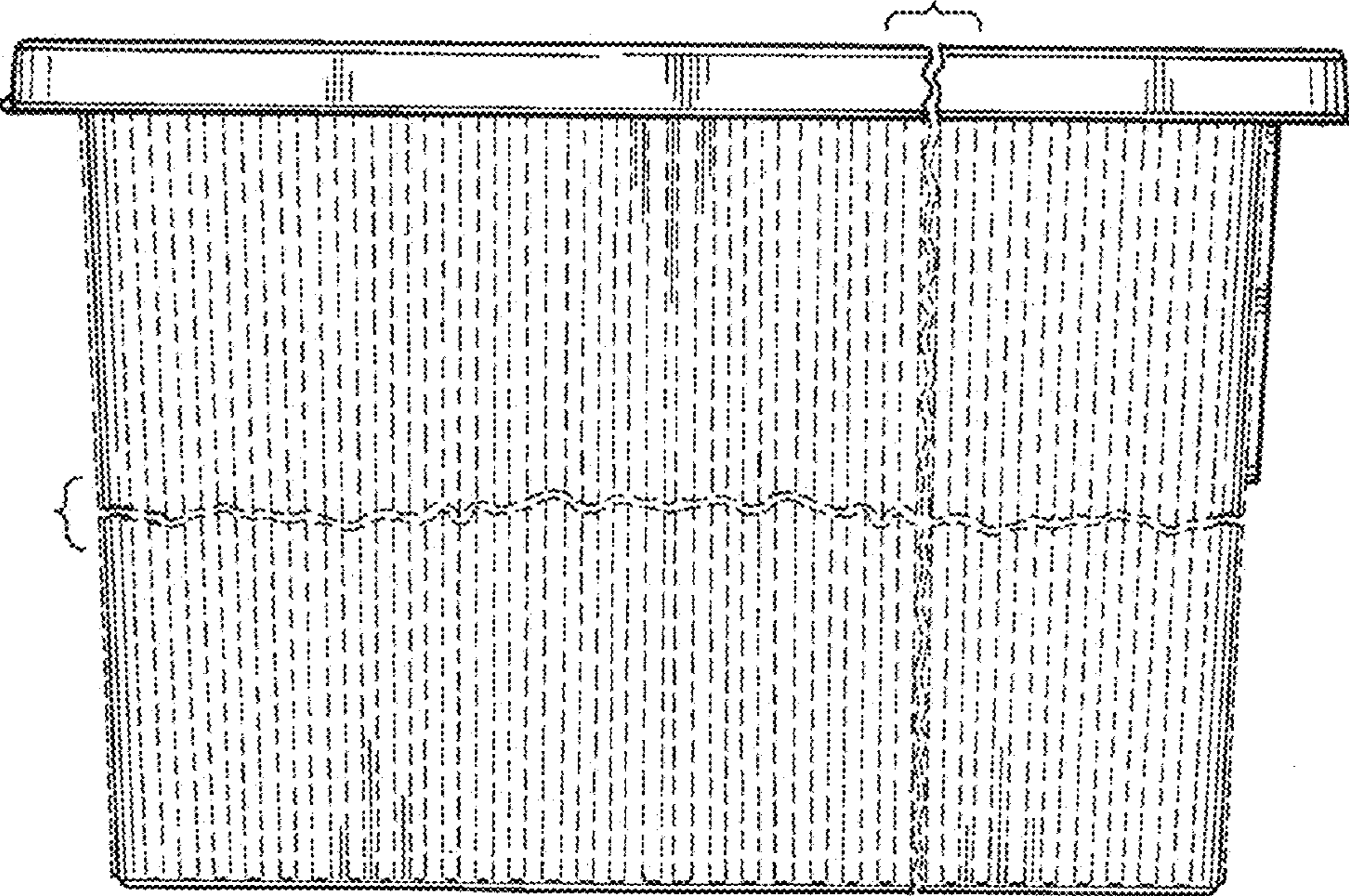


Fig. 4

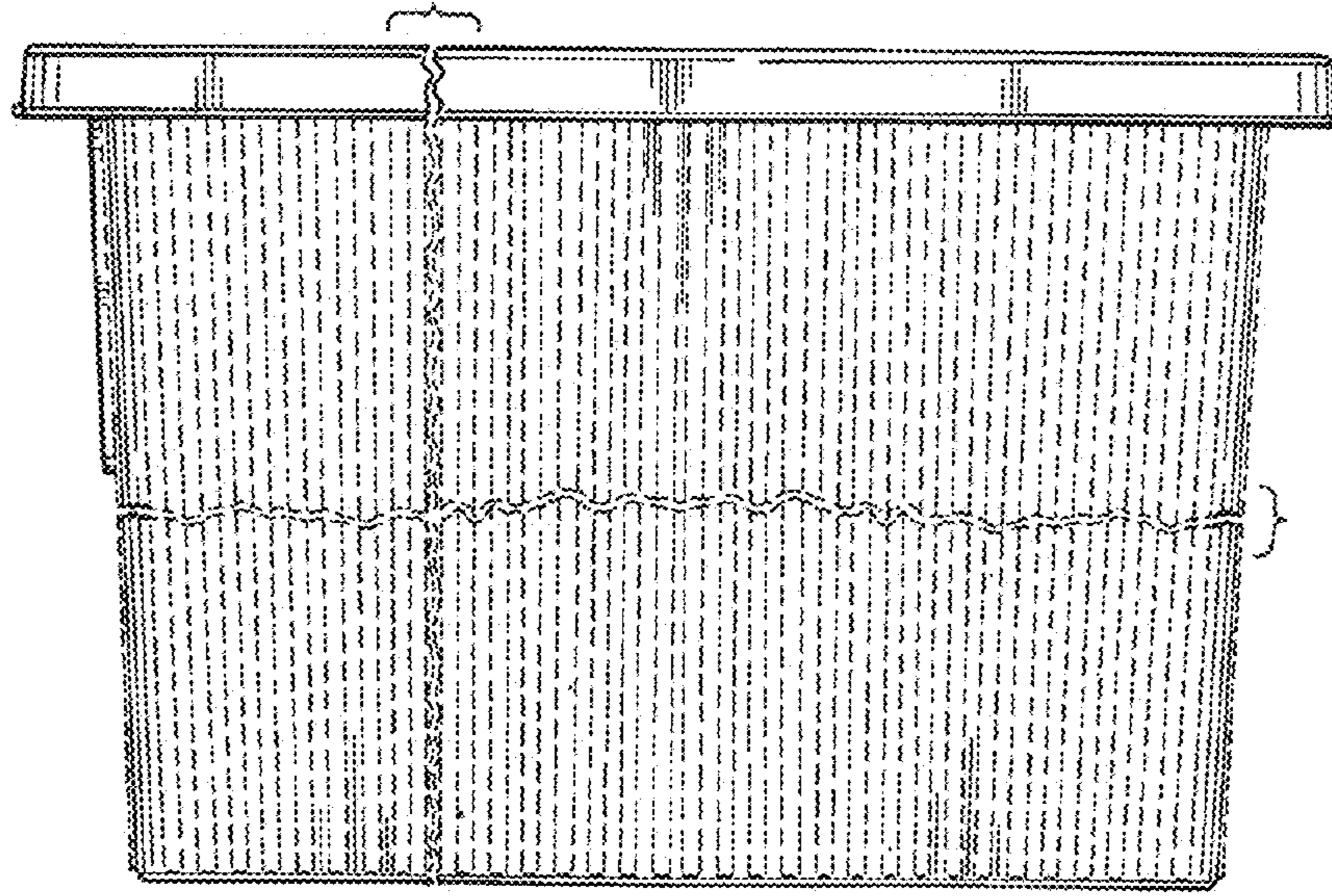


Fig. 5

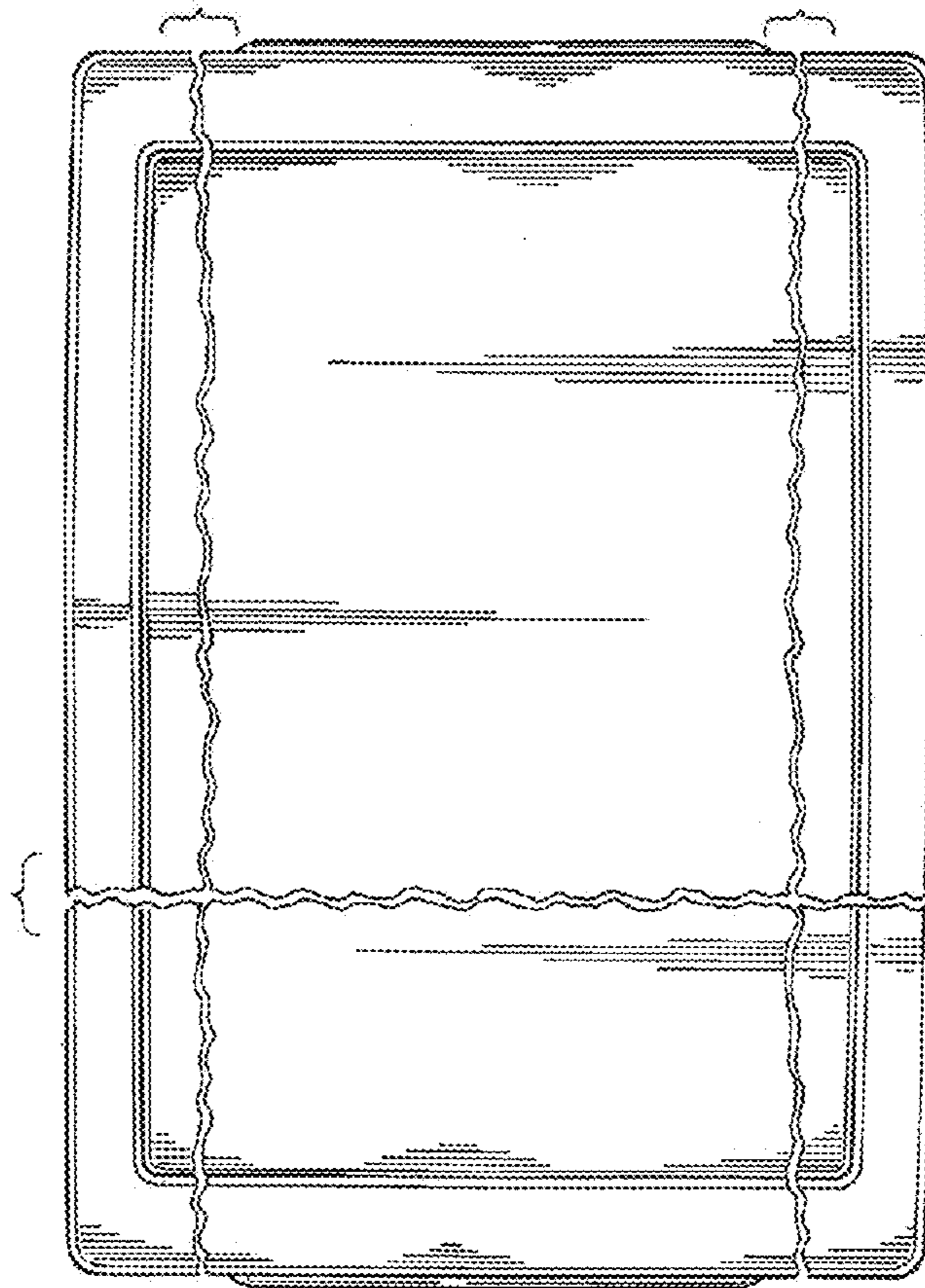


Fig. 6

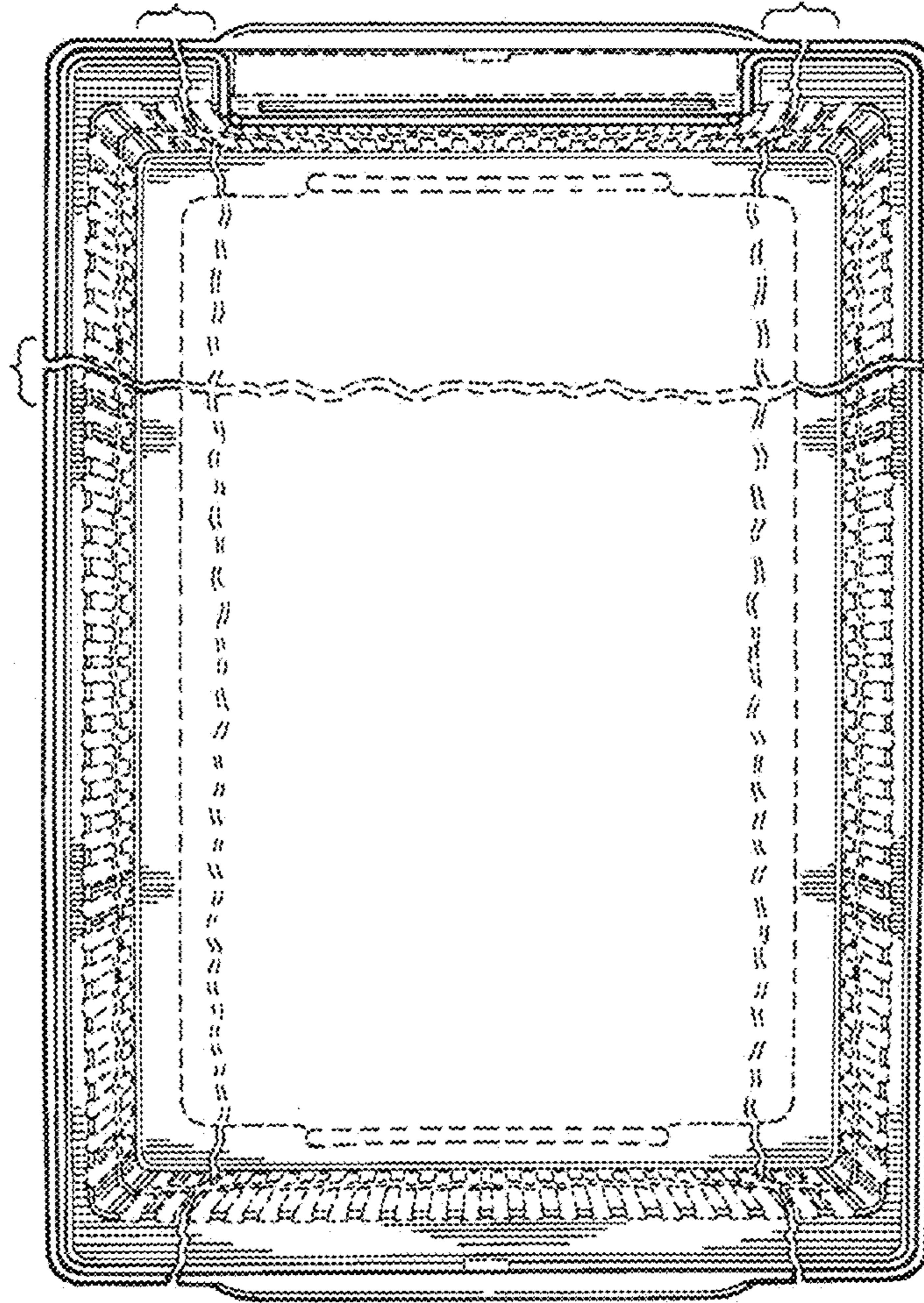


Fig. 7