

US00D762468S

(12) **United States Design Patent**
Pantelleria et al.

(10) **Patent No.:** **US D762,468 S**
(45) **Date of Patent:** **** Aug. 2, 2016**

(54) **CONTAINER WITH LOCK**

- (71) Applicant: **Huhtamaki, Inc.**, De Soto, KS (US)
- (72) Inventors: **Joseph A. Pantelleria**, Overland Park, KS (US); **Robert L. Fairchild, Jr.**, Middletown, OH (US)
- (73) Assignee: **HUHTAMAKI, INC.**, De Soto, KS (US)
- (**) Term: **14 Years**
- (21) Appl. No.: **29/510,969**
- (22) Filed: **Dec. 4, 2014**

Related U.S. Application Data

- (63) Continuation-in-part of application No. 29/510,827, filed on Dec. 3, 2014.
- (51) **LOC (10) Cl.** **09-03**
- (52) **U.S. Cl.**
USPC **D9/423; D9/433**
- (58) **Field of Classification Search**
USPC D9/414, 416, 420, 423, 430, 431, 432, D9/433, 715, 717, 721, 761; D7/546, 601, D7/602, 708; 229/100, 101, 103, 103.3, 229/111, 112
CPC B65D 1/36; B65D 81/3294; B65D 1/24; B65D 81/3261; B65D 5/6661; B65D 5/545; B65D 5/667
See application file for complete search history.

(56) **References Cited**

U.S. PATENT DOCUMENTS

- 4,232,816 A 11/1980 Johnson et al.
- 4,360,147 A * 11/1982 Brauner B65D 5/667
229/146
- 4,431,128 A 2/1984 Dirico
- 4,472,896 A 9/1984 Brauner et al.
- 4,844,330 A * 7/1989 Roosa B65D 5/48024
206/568

(Continued)

OTHER PUBLICATIONS

Photos of Hamburger Clamshell and Hot Dog Clamshells, <http://www2.us.huhtamaki.com>, 3 pages, Huhtamaki Food Group 2013.

Primary Examiner — Dana L Meyrow

Assistant Examiner — Keith Frank

(74) *Attorney, Agent, or Firm* — Husch Blackwell LLP

(57) **CLAIM**

The ornamental design for a container with lock, as shown and described.

DESCRIPTION

FIG. 1 is a perspective view of a container with lock taken from the front and right side;

FIG. 2 is a perspective view of a container with lock shown in FIG. 1 taken from the bottom and showing the rear and left side;

FIG. 3 is a front elevational view of a container with lock shown in FIG. 1;

FIG. 4 is a rear elevational view of a container with lock shown in FIG. 1;

FIG. 5 is a right side elevational view of a container with lock shown in FIG. 1;

FIG. 6 is a left side elevational view of a container with lock shown in FIG. 1;

FIG. 7 is a top plan view of a container with lock shown in FIG. 1;

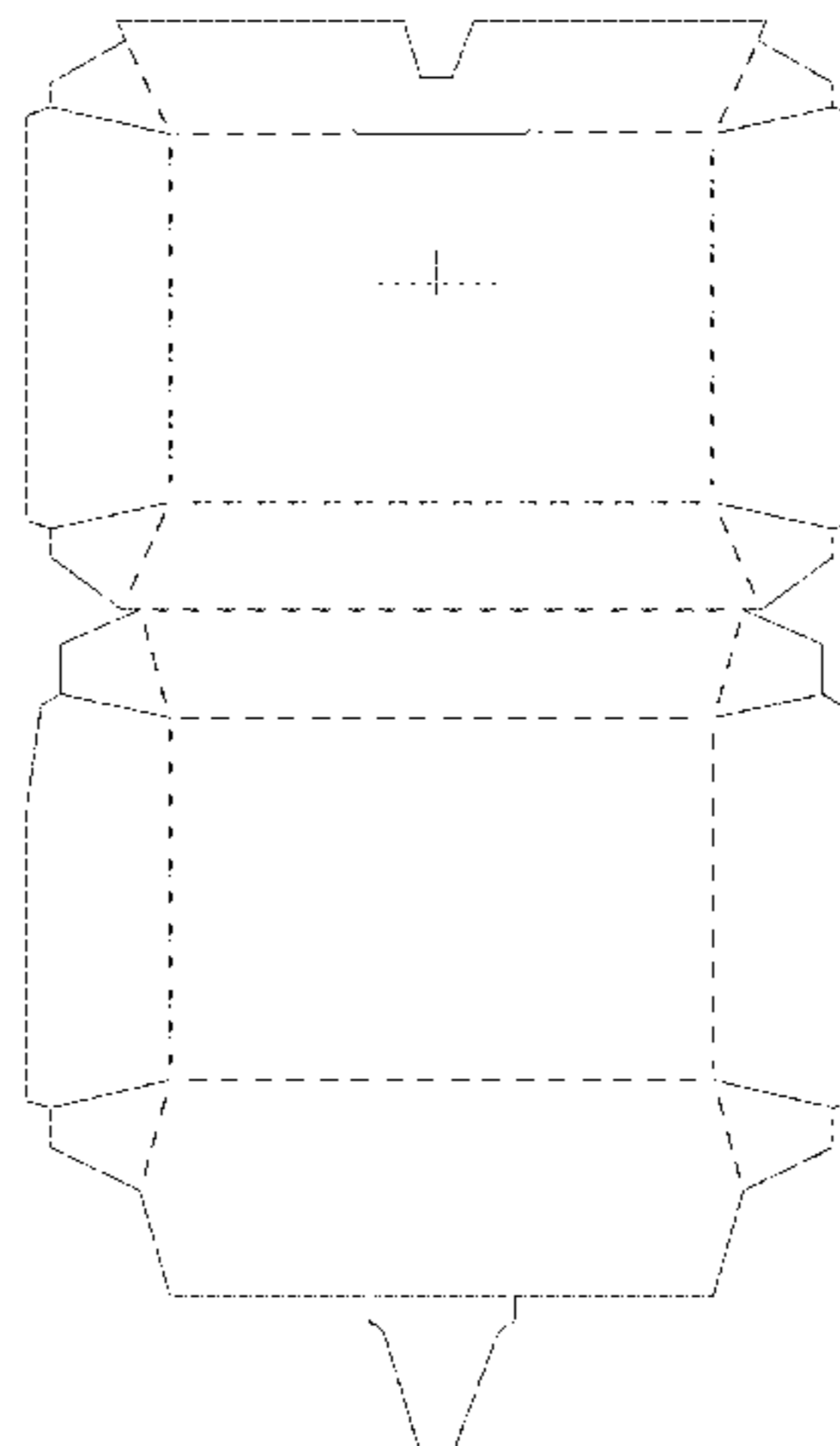
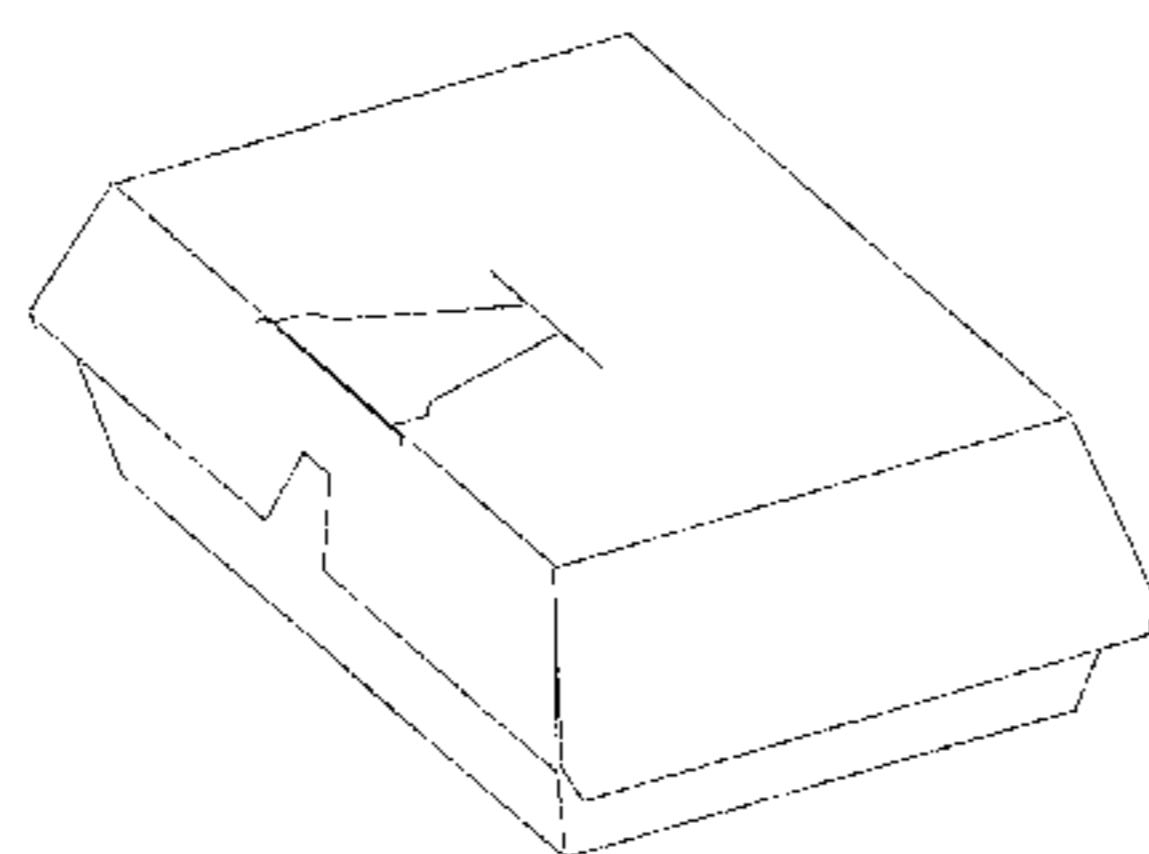
FIG. 8 is a bottom plan view of a container with lock shown in FIG. 1;

FIG. 9 is a perspective view of a container with lock shown in FIG. 1 in the open position; and,

FIG. 10 is a view of a container with lock shown in FIG. 1 flat and disassembled.

The broken lines in FIG. 10 showing the container with lock represent claimed fold lines.

1 Claim, 7 Drawing Sheets



(56)

References Cited

U.S. PATENT DOCUMENTS

4,877,178 A *	10/1989	Eisman	B65D 5/68 229/114	5,860,530 A *	1/1999	Simmons	B65D 43/021 206/557
4,955,527 A *	9/1990	Blackman	B65D 5/667 229/114	6,041,997 A *	3/2000	Jensen	B65D 5/4229 206/459.5
5,039,003 A *	8/1991	Gordon	B65D 5/48024 229/114	6,126,065 A *	10/2000	Wee	B65D 5/2047 229/114
5,058,803 A *	10/1991	Gulliver	B65D 5/6626 229/120	D519,830 S *	5/2006	Yocum	D9/420
D322,571 S *	12/1991	Groves	D9/423	D622,589 S *	8/2010	Elias	D9/431
D322,757 S *	12/1991	Payne	D9/425	7,874,476 B2 *	1/2011	D'Amato	B65D 5/302 229/114
5,205,476 A *	4/1993	Sorenson	B65D 5/667 229/114	8,056,799 B2 *	11/2011	Burke	B65D 5/4229 206/459.5
5,221,040 A *	6/1993	Sorenson	B65D 5/6626 229/114	8,490,808 B1 *	7/2013	Snyder	B65D 5/667 220/4.22
D346,553 S *	5/1994	Akerlind	D9/420	D695,608 S *	12/2013	Pusta	D9/431
5,332,147 A *	7/1994	Sorenson	B65D 5/6626 229/114	8,740,050 B2 *	6/2014	Zinck	B65D 5/667 229/114
D352,897 S *	11/1994	Jackson	D9/422	8,814,032 B2 *	8/2014	Li	B65D 5/24 229/114
5,388,758 A *	2/1995	Scovell	B65D 5/4266 229/114	9,139,330 B2 *	9/2015	Gomez	B65D 5/545
5,431,333 A	7/1995	Lorenz		9,278,774 B2 *	3/2016	Fairchild, Jr.	B65D 5/6608
D384,583 S *	10/1997	Green	D9/431	2002/0089847 A1 *	7/2002	Nguyen	B65D 5/4233 362/154
				2004/0074953 A1 *	4/2004	Yocum	B65D 5/4204 229/114

* cited by examiner

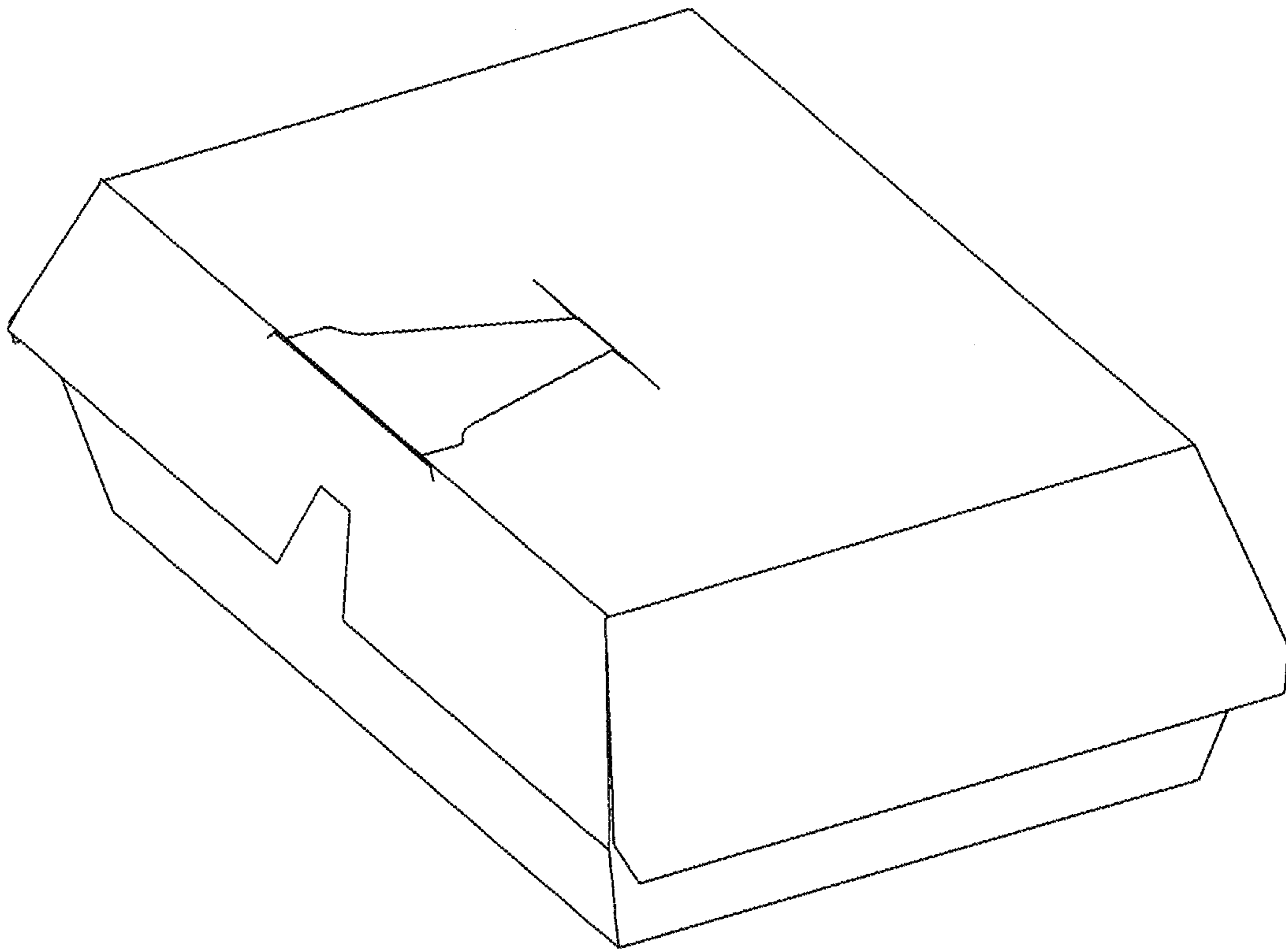


Fig. 1

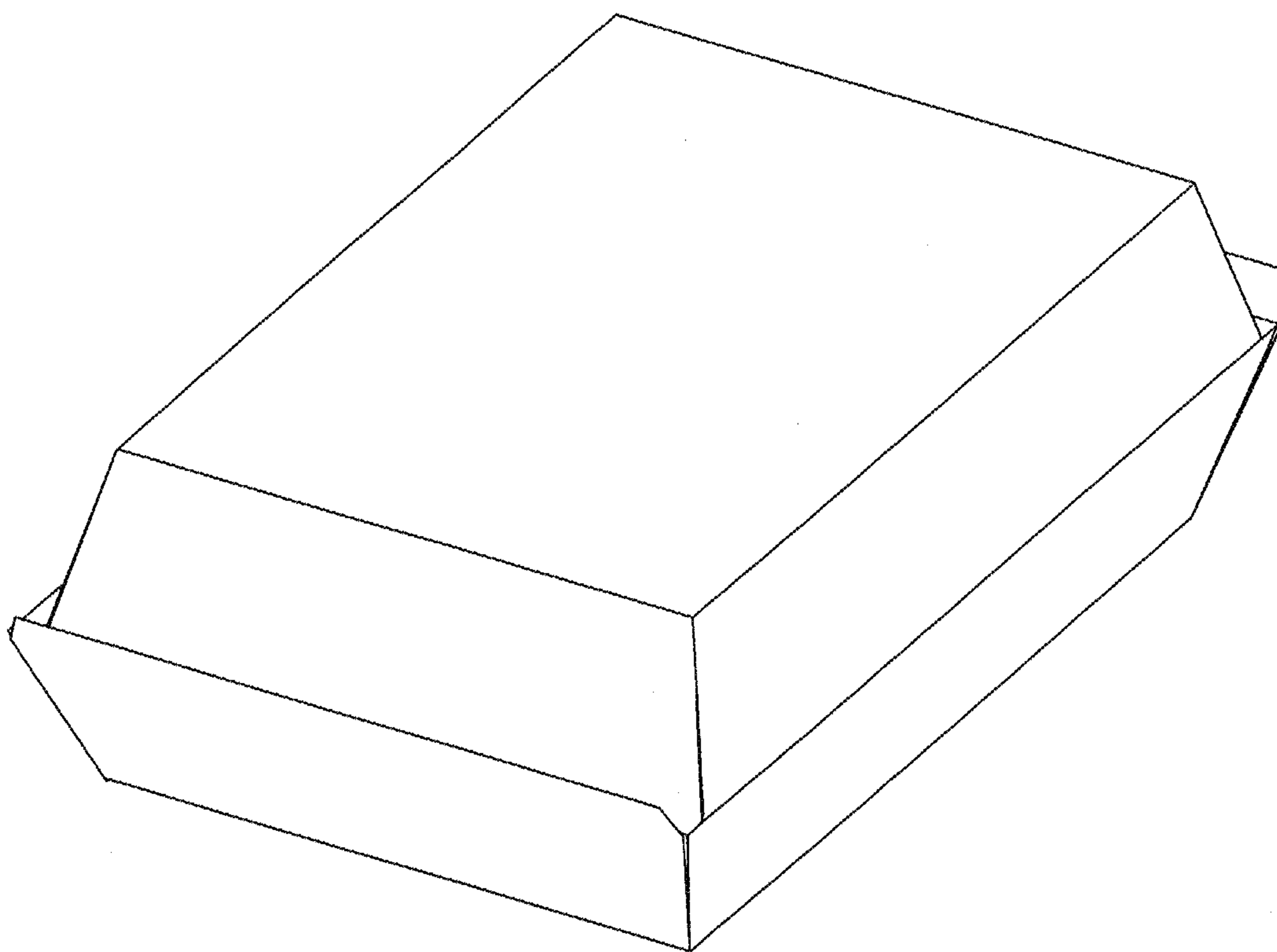


Fig. 2

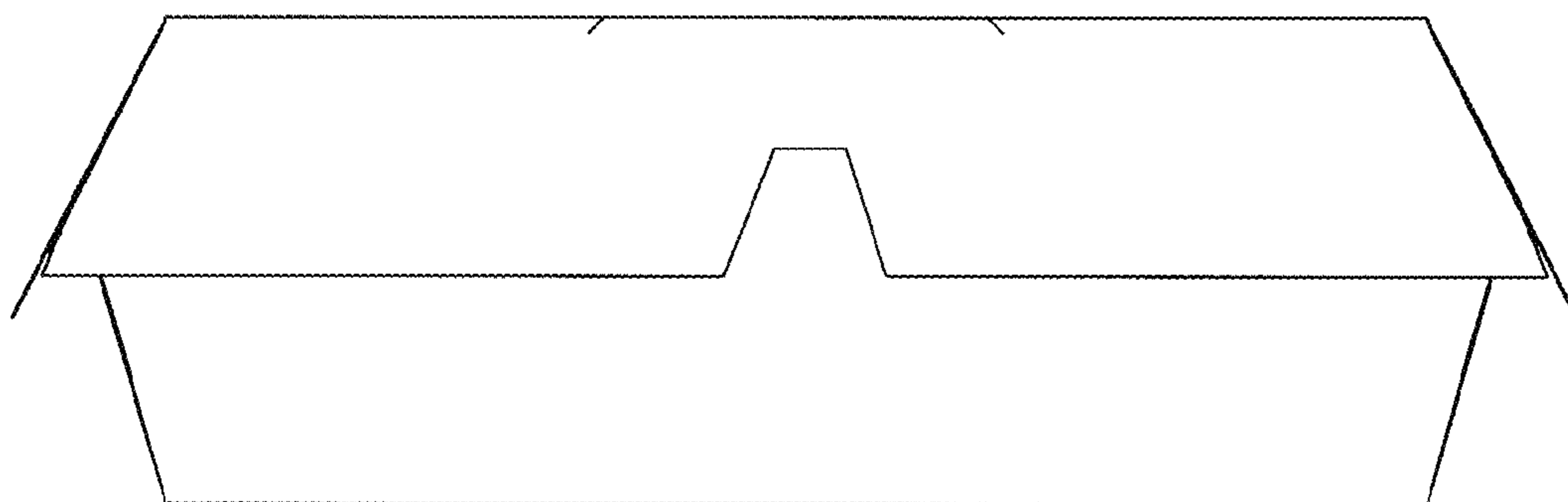


Fig. 3

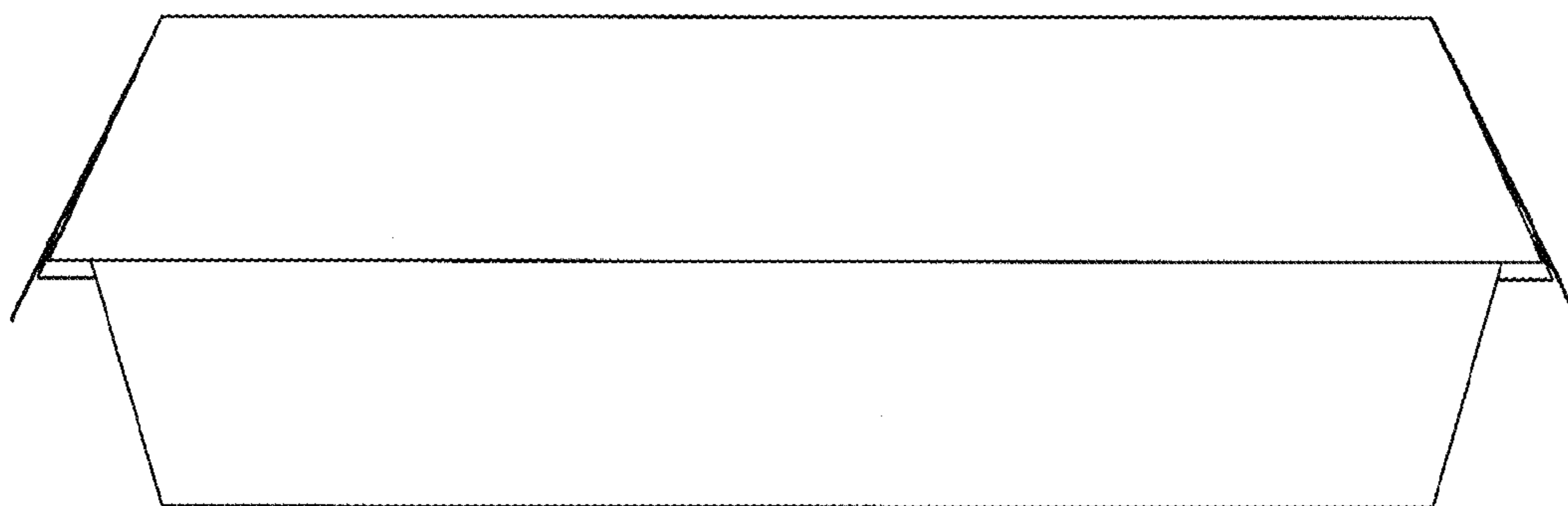


Fig. 4

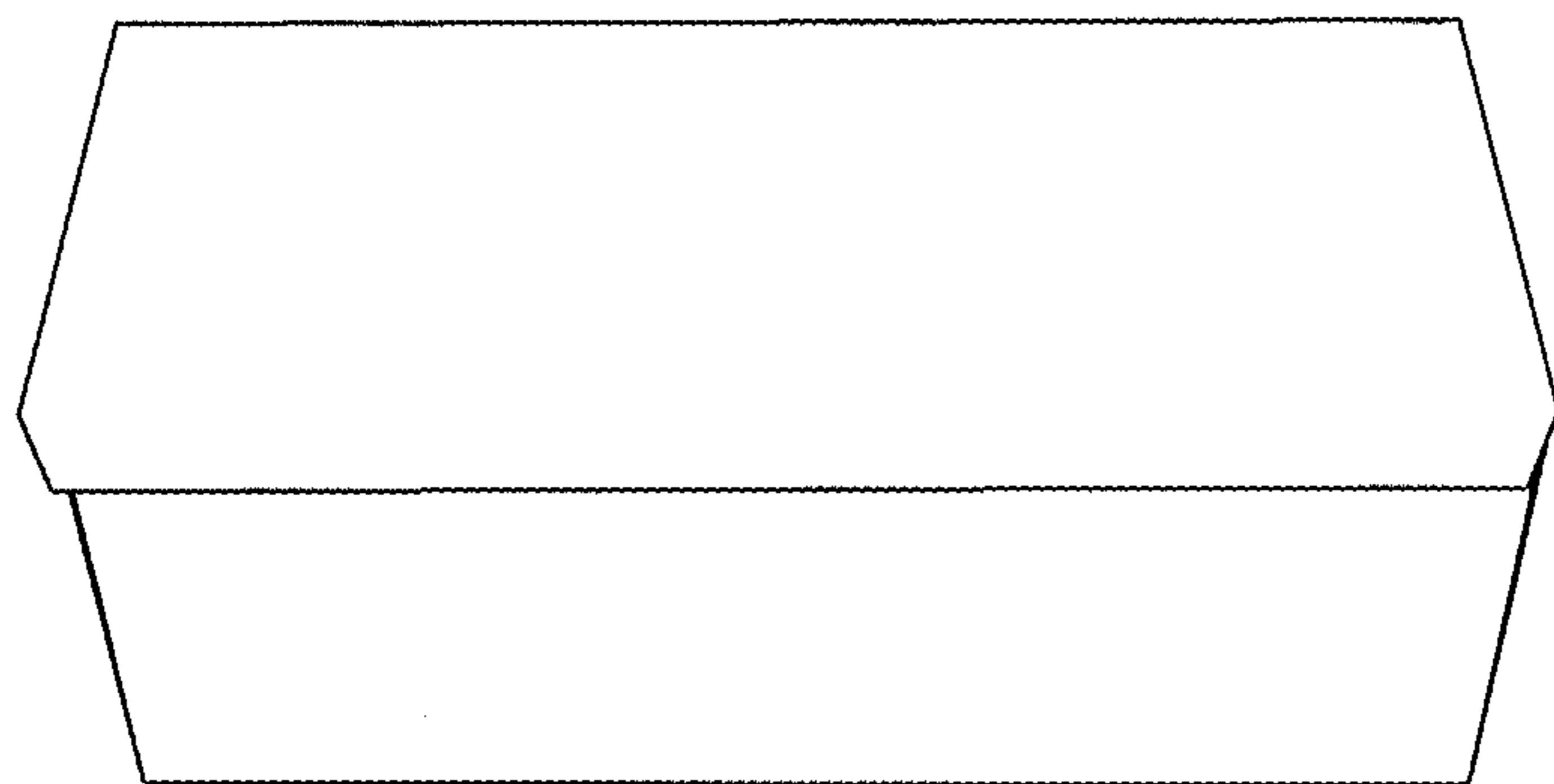


Fig. 5

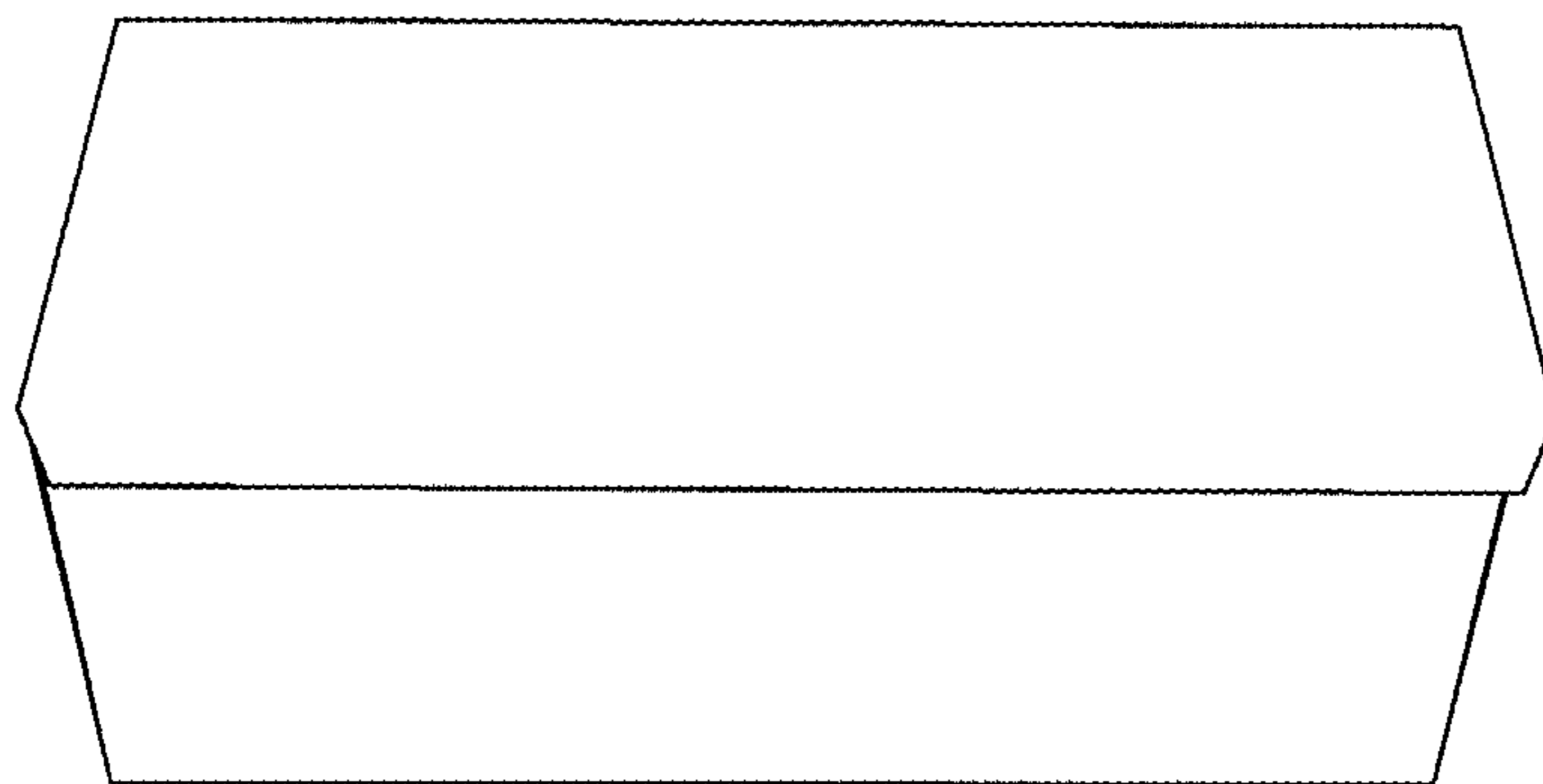


Fig. 6

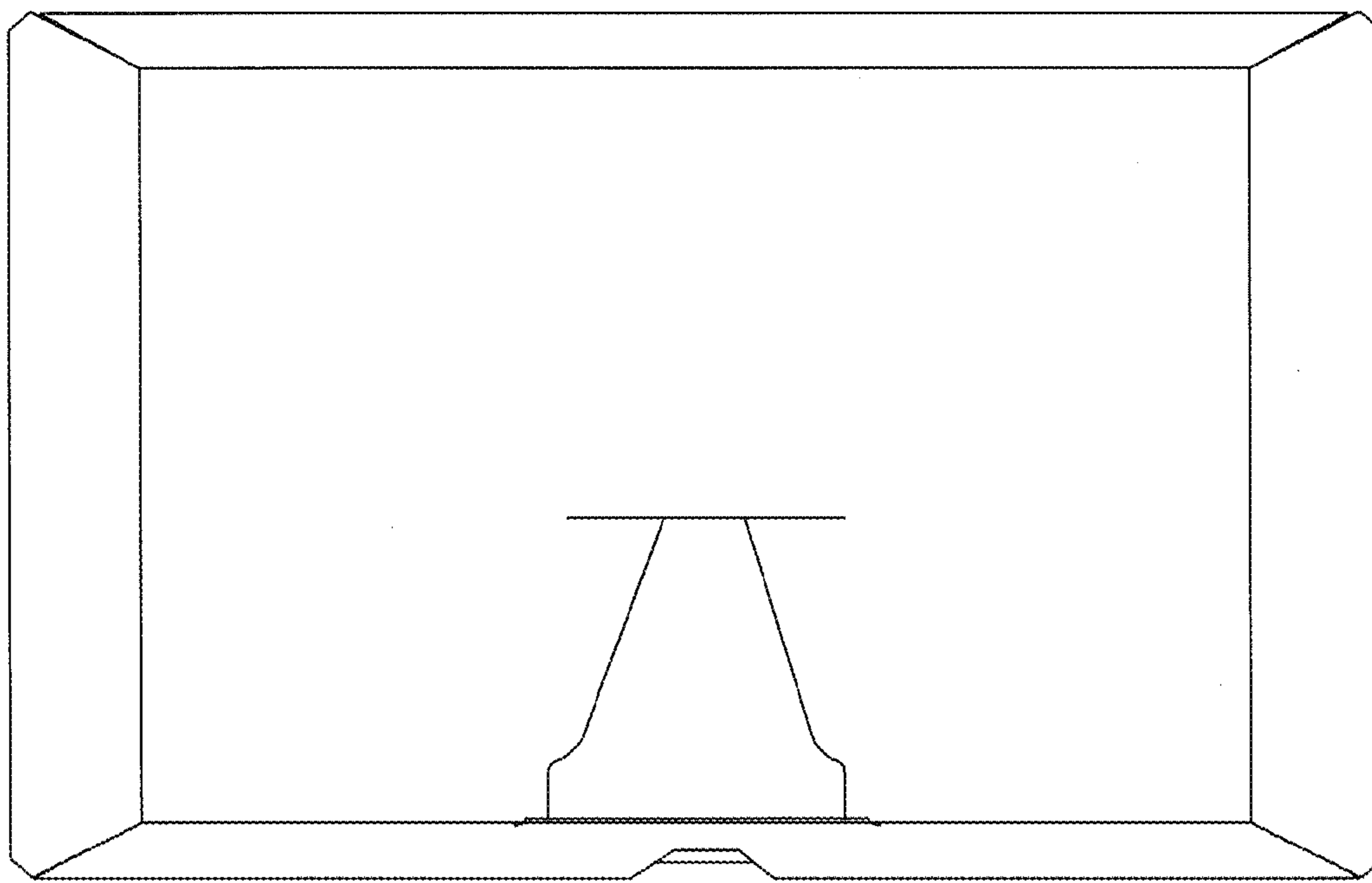


Fig. 7

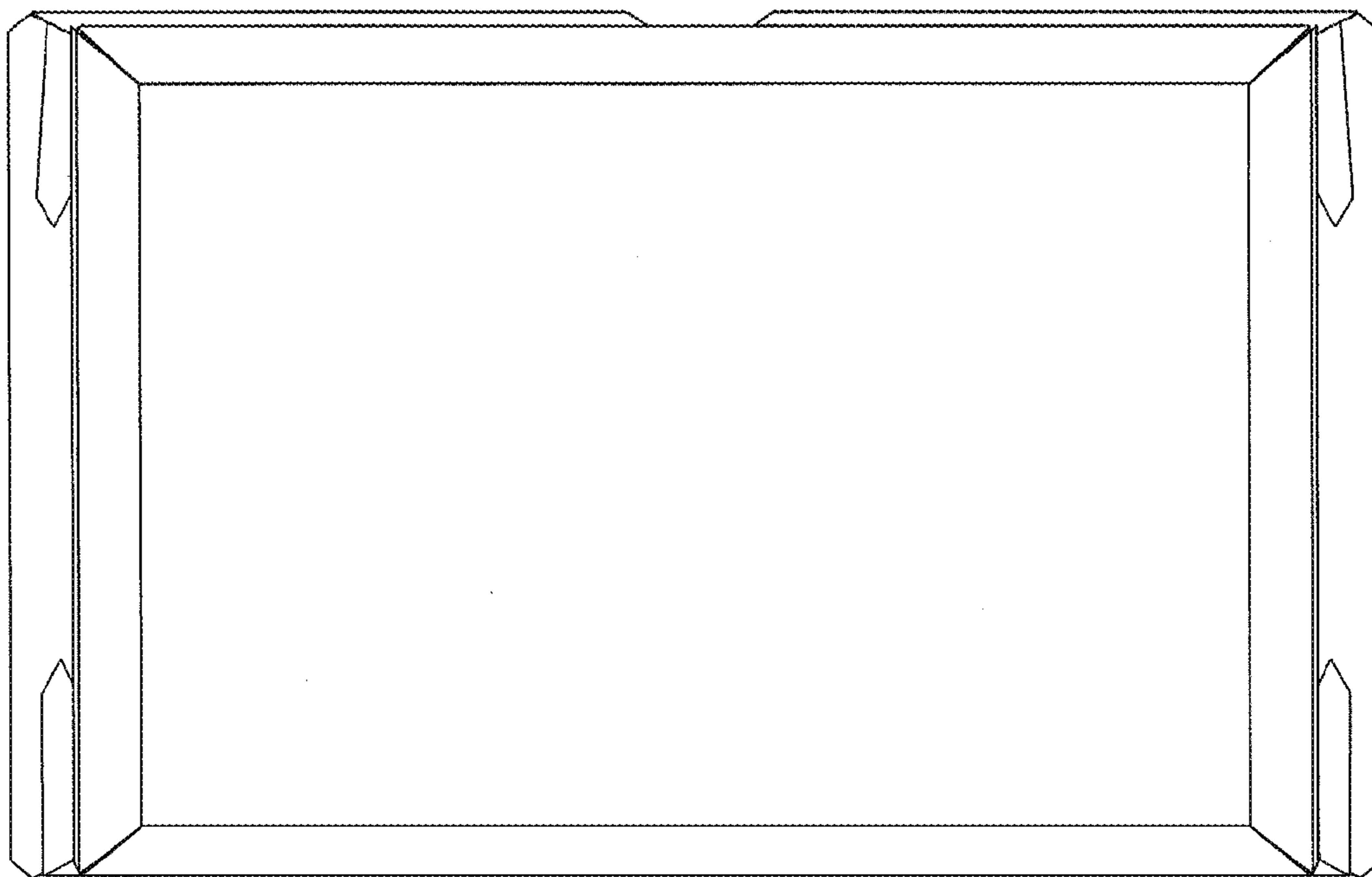


Fig. 8

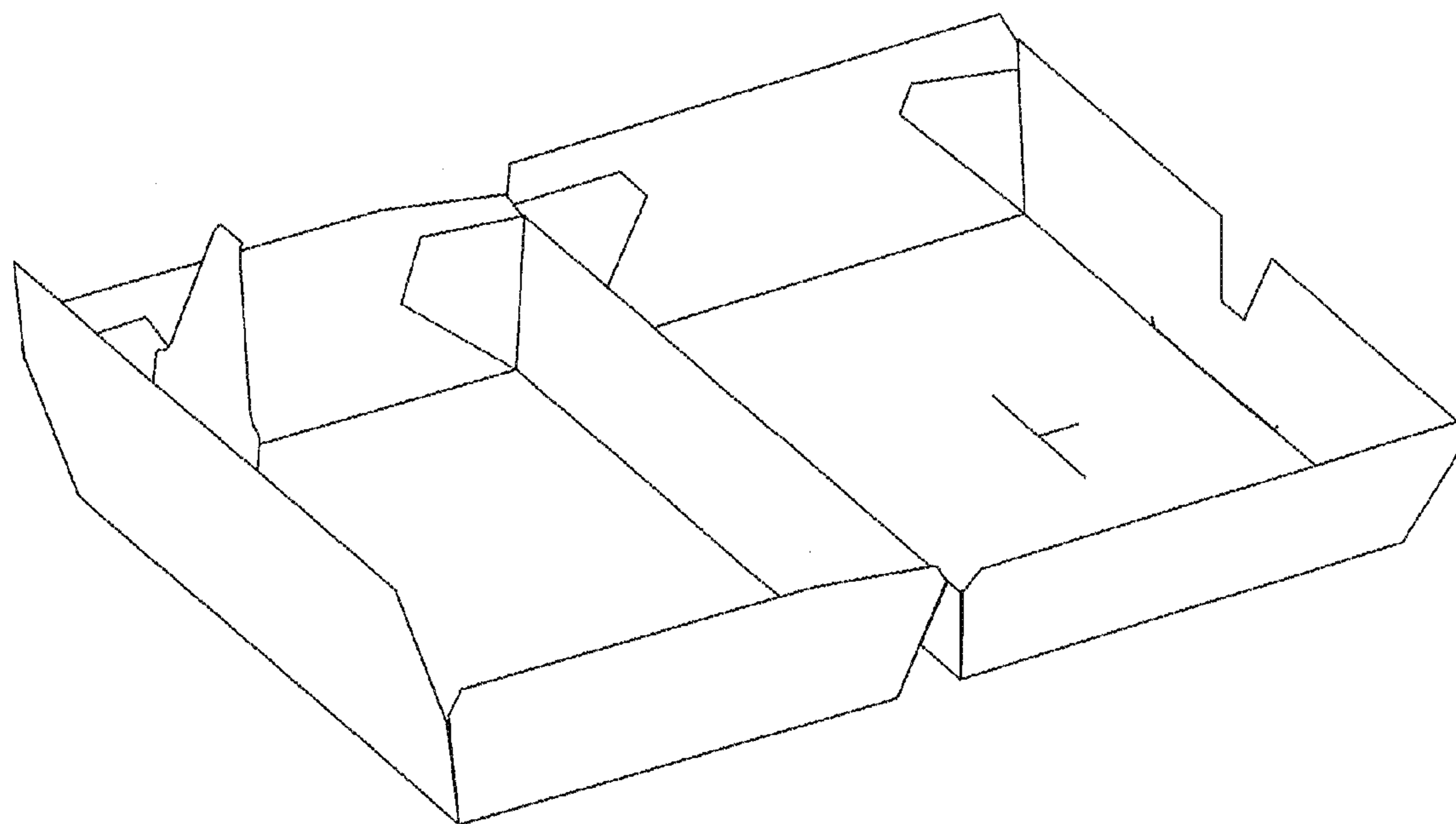


Fig. 9

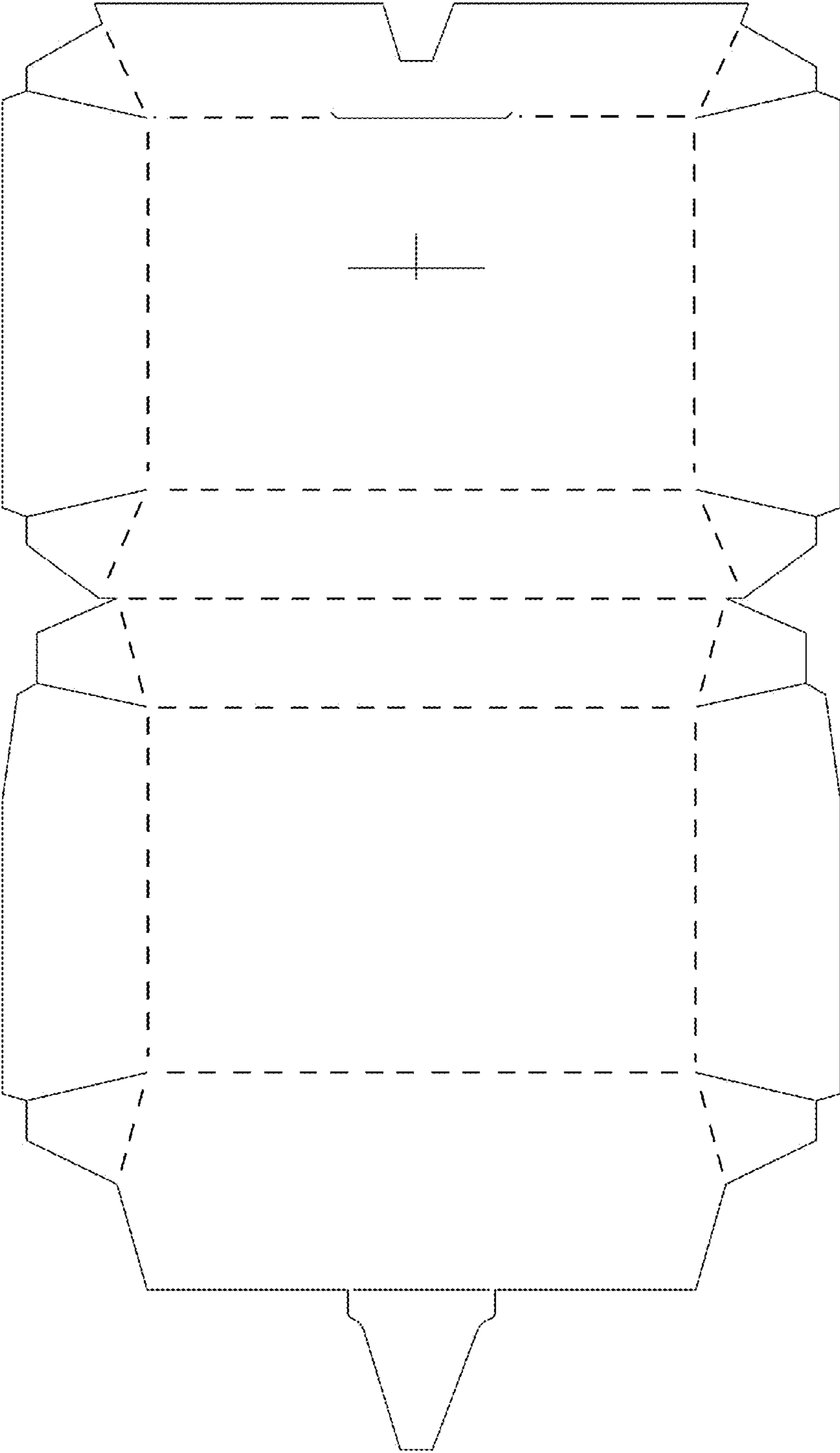


Fig.10