

US00D762466S

(12) **United States Design Patent**  
**Angeloni et al.**

(10) **Patent No.:** **US D762,466 S**

(45) **Date of Patent:** **\*\* Aug. 2, 2016**

(54) **RECLOSABLE PACKAGING**

(71) Applicant: **WM. WRIGLEY JR. COMPANY**,  
Chicago, IL (US)

(72) Inventors: **Paul J. Angeloni**, Chicago, IL (US);  
**Christopher H. Cunningham**, Grays  
Lake, IL (US); **Allen S. Aldridge**,  
Addison, IL (US); **Peter Muller**,  
Chicago, IL (US); **William Tham**,  
Palatine, IL (US); **David Jaggi**, Oak  
Park, IL (US); **Ross Bartels**, Chicago, IL  
(US)

(73) Assignee: **WM. WRIGLEY JR. COMPANY**,  
Chicago, IL (US)

(\*\*) Term: **14 Years**

(21) Appl. No.: **29/520,280**

(22) Filed: **Mar. 12, 2015**

(51) **LOC (10) CL.** ..... **09-03**

(52) **U.S. CL.**  
USPC ..... **D9/420**

(58) **Field of Classification Search**

USPC ..... D9/414-418, 420-425, 430-434, 737,  
D9/761; D3/205, 206, 216, 232, 233, 270,  
D3/901, 318, 319, 903, 230, 273, 290,  
D3/203.5-203.8, 303, 243; 206/581, 261,  
206/265, 268, 271, 273, 362, 800; 150/108,  
150/106

CPC .... B65D 43/162; B65D 43/165; B65D 85/60;  
A24F 23/00; G11B 23/0233; Y10S 206/80

See application file for complete search history.

(56) **References Cited**

**U.S. PATENT DOCUMENTS**

D178,604 S \* 8/1956 Heil ..... D3/274  
4,160,502 A \* 7/1979 Roccaforte ..... B65D 5/5014  
206/486

(Continued)

**OTHER PUBLICATIONS**

Cigarette Pack, available Feb. 16, 2011, [online], [site visited Oct. 30,  
2015]. Available from internet, <URL: [http://blog.creamglobal.com/  
right\\_brain\\_left\\_brain/2011/02/cigarettes-the-brand-blackout.  
html](http://blog.creamglobal.com/right_brain_left_brain/2011/02/cigarettes-the-brand-blackout.html)>.\*

(Continued)

*Primary Examiner* — Cathron Brooks

*Assistant Examiner* — Teddy Falloway

(57) **CLAIM**

We claim the ornamental design for a reclosable packaging,  
as substantially shown and described.

**DESCRIPTION**

FIG. 1 is a top front perspective view of a first embodiment of  
a reclosable packaging in accordance with the present design  
with the lid in an opened position;

FIG. 2 is a front elevational view thereof;

FIG. 3 is a top view thereof, wherein the broken lines repre-  
sent portions of the packaging that form no part of the claimed  
design;

FIG. 4 is a right side elevational view thereof, the left side  
elevation view being a mirror image;

FIG. 5 is a rear elevational view thereof;

FIG. 6 is a top front perspective view thereof, shown with the  
lid in a closed position;

FIG. 7 is a front elevational view thereof;

FIG. 8 is a top view thereof, wherein the broken lines repre-  
sent portions of the packaging that form no part of the claimed  
design;

FIG. 9 is a right side elevational view thereof, the left side  
elevation view being a mirror image;

FIG. 10 is a rear elevational view thereof;

FIG. 11 is a top front perspective view of a second embodi-  
ment of a reclosable packaging in accordance with the present  
design with the lid in an opened position;

FIG. 12 is a front elevational view thereof;

FIG. 13 is a top view thereof, wherein the broken lines repre-  
sent portions of the packaging that form no part of the  
claimed design;

FIG. 14 is a right side elevational view thereof, the left side  
elevation view being a mirror image;

FIG. 15 is a rear elevational view thereof;

FIG. 16 is a top front perspective view thereof, shown with the  
lid in a closed position;

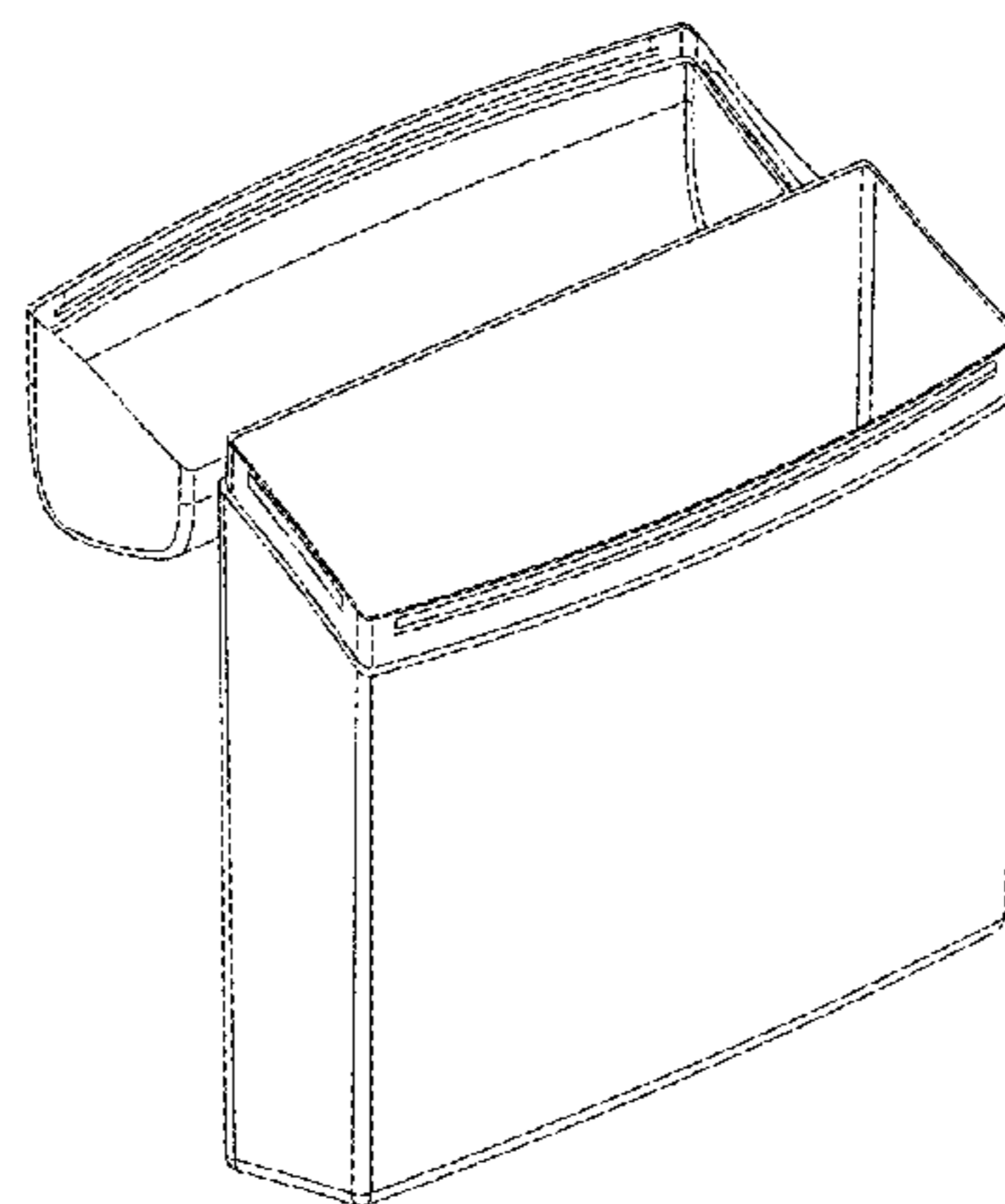
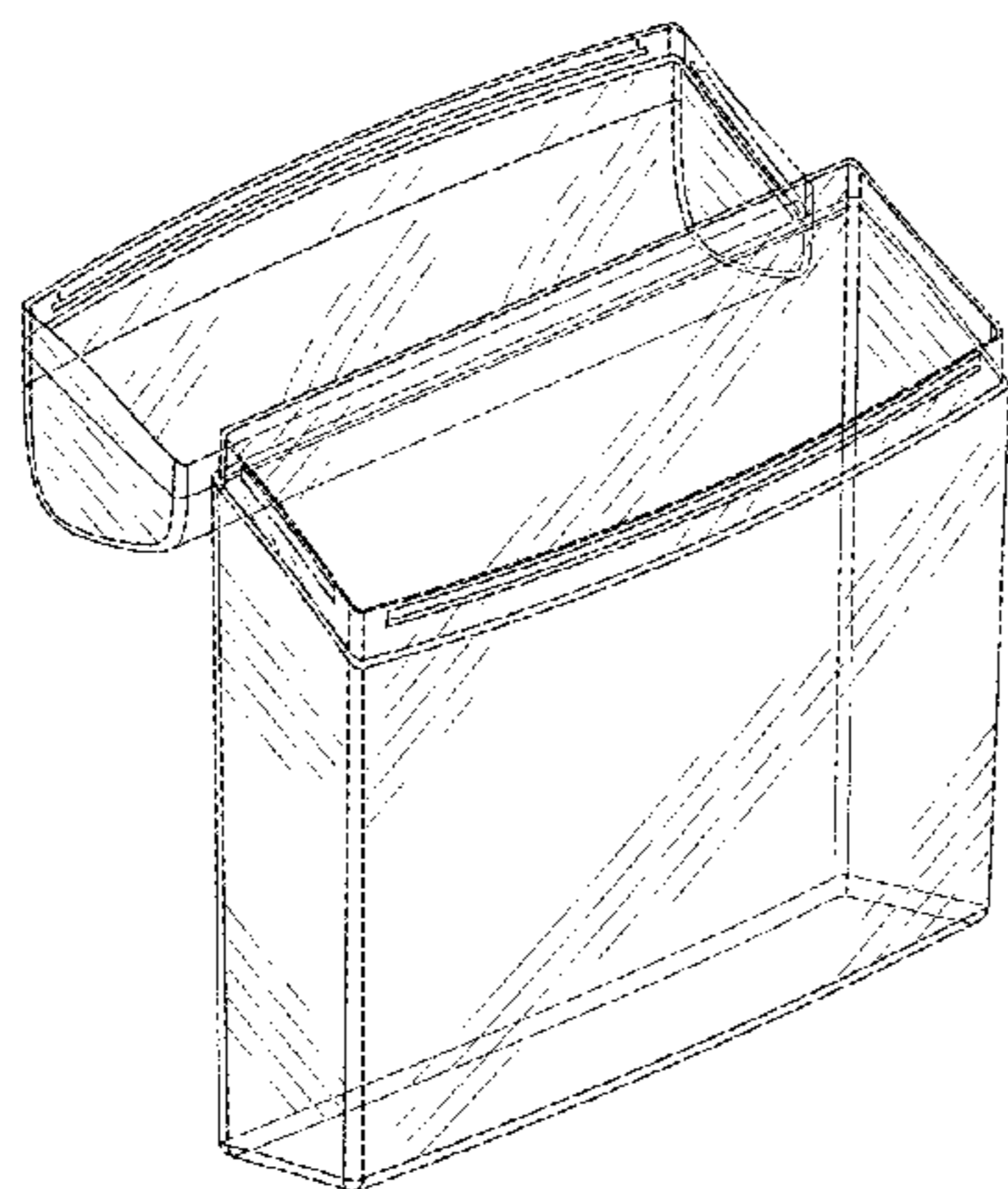
FIG. 17 is a front elevational view thereof;

FIG. 18 is a top view thereof;

FIG. 19 is a right side elevational view thereof, the left side  
elevation view being a mirror image thereof; and,

FIG. 20 is a rear elevational view thereof.

**1 Claim, 10 Drawing Sheets**



(56)

**References Cited**

U.S. PATENT DOCUMENTS

5,405,007 A \* 4/1995 Iwahashi ..... G11B 23/0233  
206/268  
D381,197 S \* 7/1997 Green ..... D3/201  
D401,054 S \* 11/1998 Hartmann ..... D3/212  
D425,417 S \* 5/2000 Gaffney ..... D9/423  
D463,907 S \* 10/2002 Lemoine ..... D3/205  
6,709,684 B2 \* 3/2004 Loth ..... B65D 25/107  
206/37  
D516,422 S \* 3/2006 Willson ..... D9/432  
D525,024 S \* 7/2006 Fridie ..... D3/201  
D555,895 S \* 11/2007 Lalier ..... D3/205  
D561,989 S \* 2/2008 Jones ..... D3/201  
D575,636 S \* 8/2008 Krautter ..... D9/420  
D594,322 S \* 6/2009 Blick ..... D9/423  
D611,806 S \* 3/2010 Bried ..... D9/420  
D653,535 S \* 2/2012 Tearle ..... D27/189  
D675,095 S \* 1/2013 Villiers ..... D9/434  
D678,055 S \* 3/2013 Villiers ..... D9/434  
D678,057 S \* 3/2013 Holford ..... D9/423

D681,445 S \* 5/2013 van Landsveld ..... D9/423  
D692,280 S \* 10/2013 Aldridge ..... D7/629  
D695,605 S \* 12/2013 Johnson ..... D9/423  
D741,002 S \* 10/2015 Liu ..... D27/189  
D748,467 S \* 2/2016 Angeloni ..... D9/420  
2006/0027483 A1 \* 2/2006 Aldridge ..... B65D 5/5425  
206/738  
2010/0224644 A1 \* 9/2010 Aldridge ..... B65D 5/16  
220/810  
2015/0305402 A1 \* 10/2015 Bourgoin ..... A24F 23/00  
206/265

OTHER PUBLICATIONS

Crayola Crayons, available Dec. 30, 2011, [online], [site visited Oct. 30, 2015]. Available from internet, <URL: <http://www.toysrus.com/buy/crayons-carriers/crayola-crayons-64-pack-with-built-in-sharpener-52-0064-2342266>.  
Wrigley Flip Top Carton Pack, available Feb. 15, 2011, [online], [site visited Oct. 30, 2015]. Available from internet, <URL: <http://www.coroflot.com/markbozarth/hero-comps-n-mock-ups>.  
\* cited by examiner

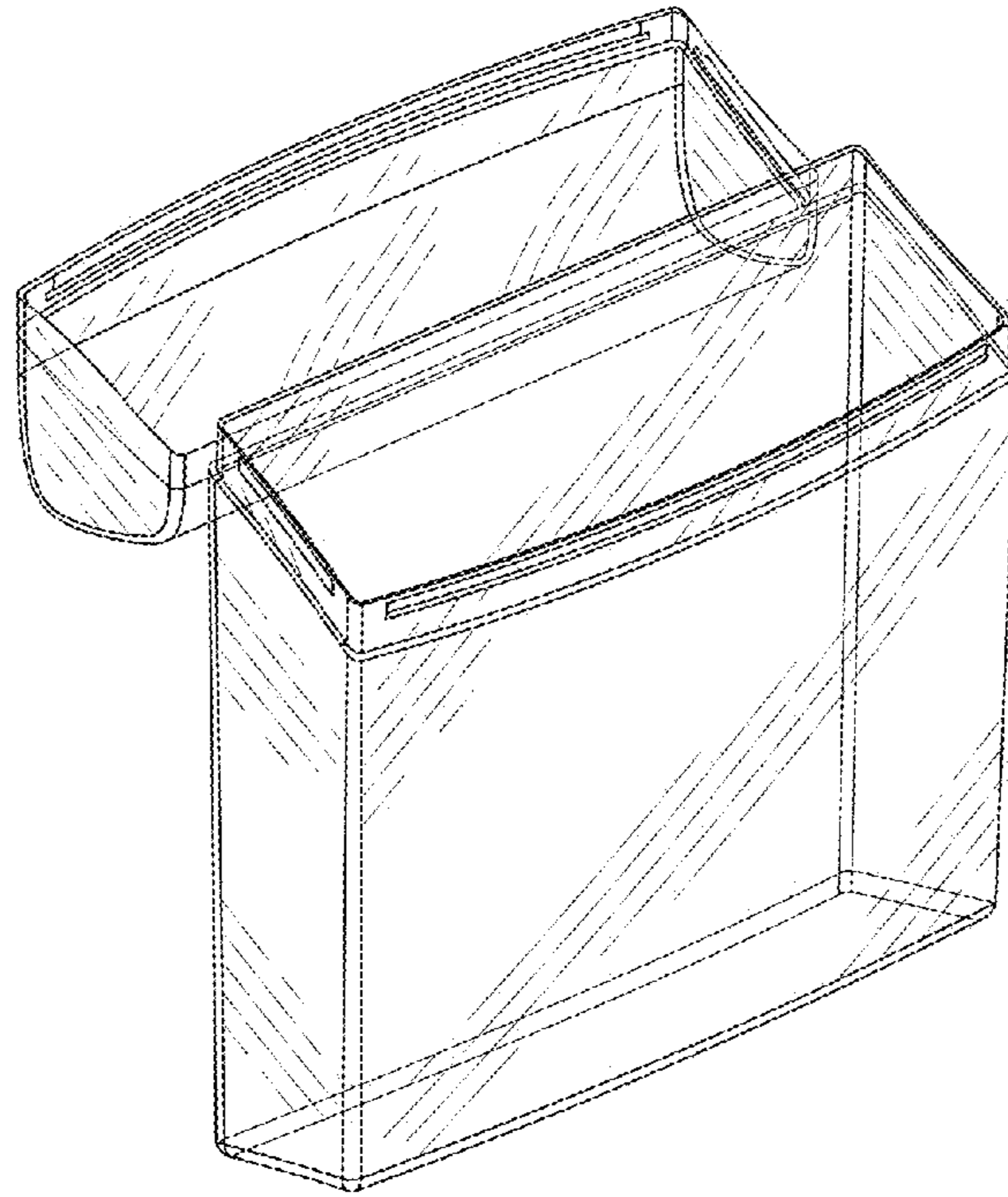


FIG. 1

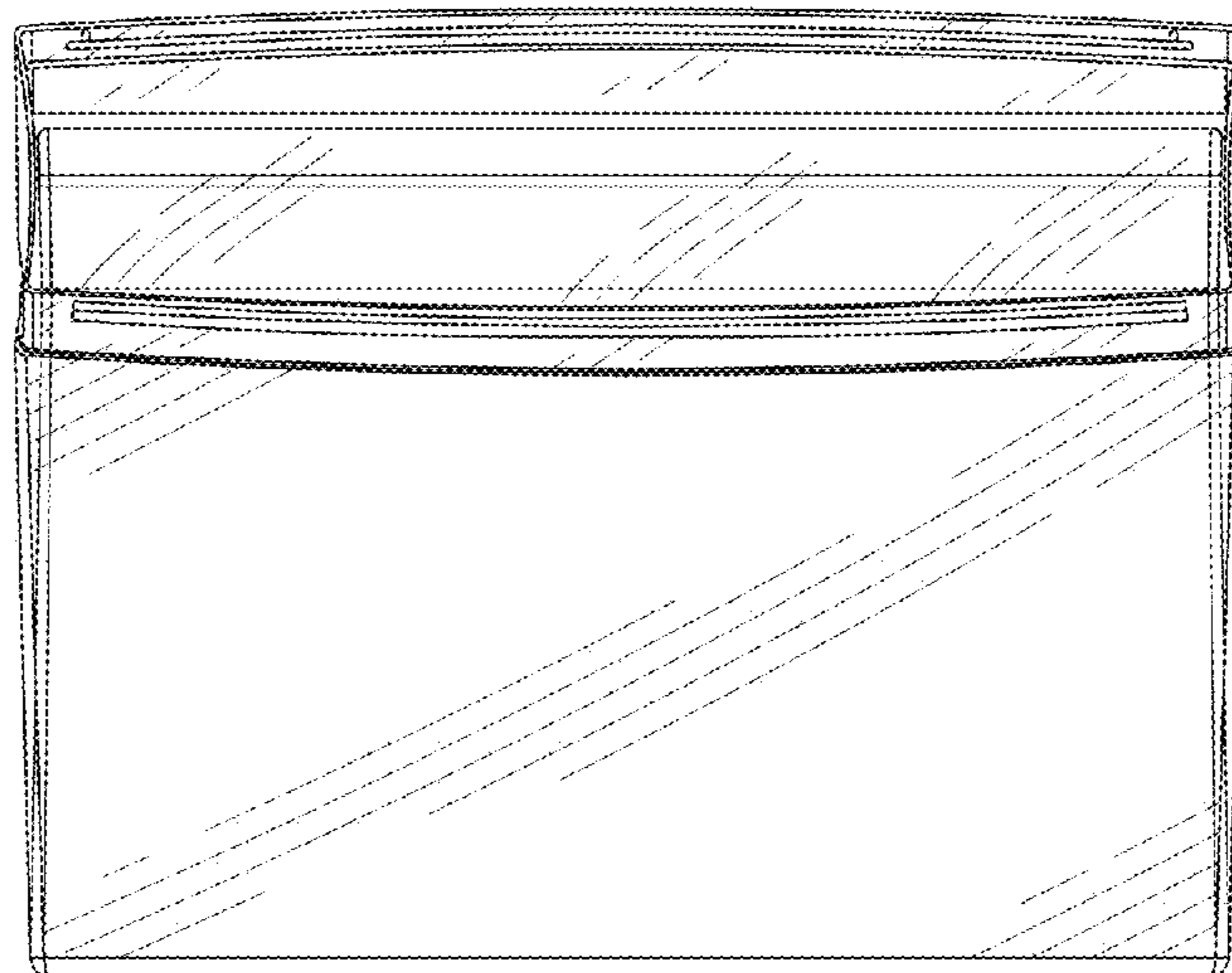


FIG. 2

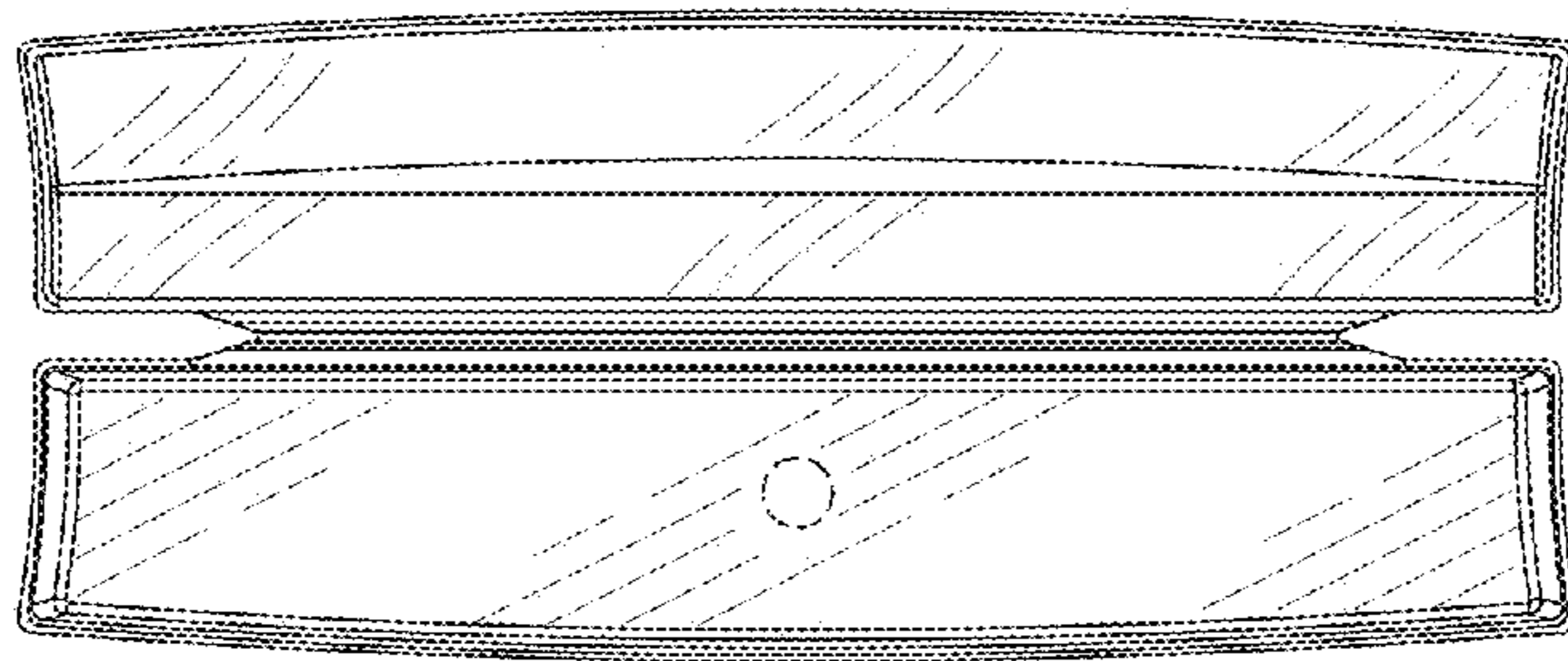


FIG. 3

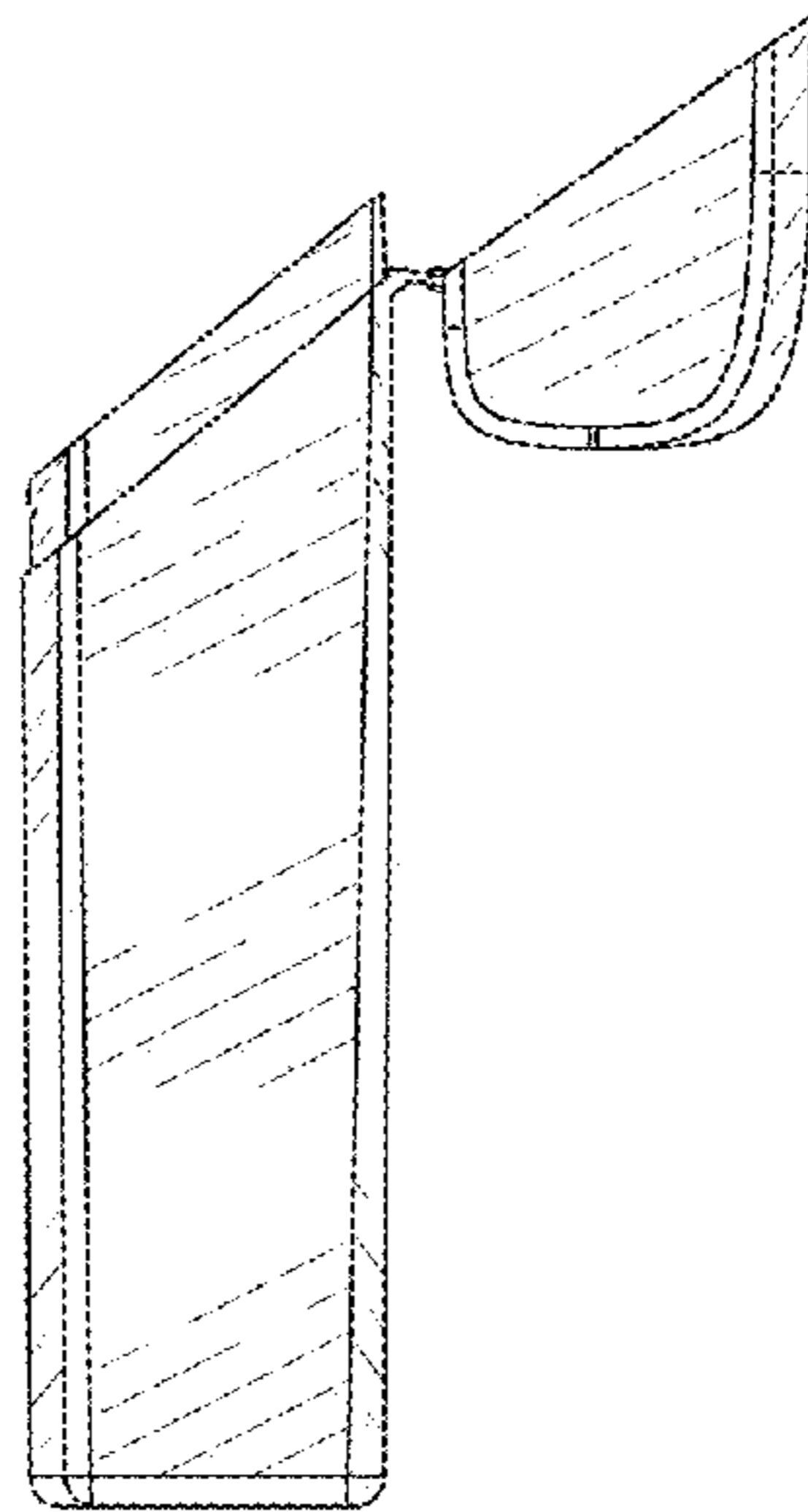


FIG. 4

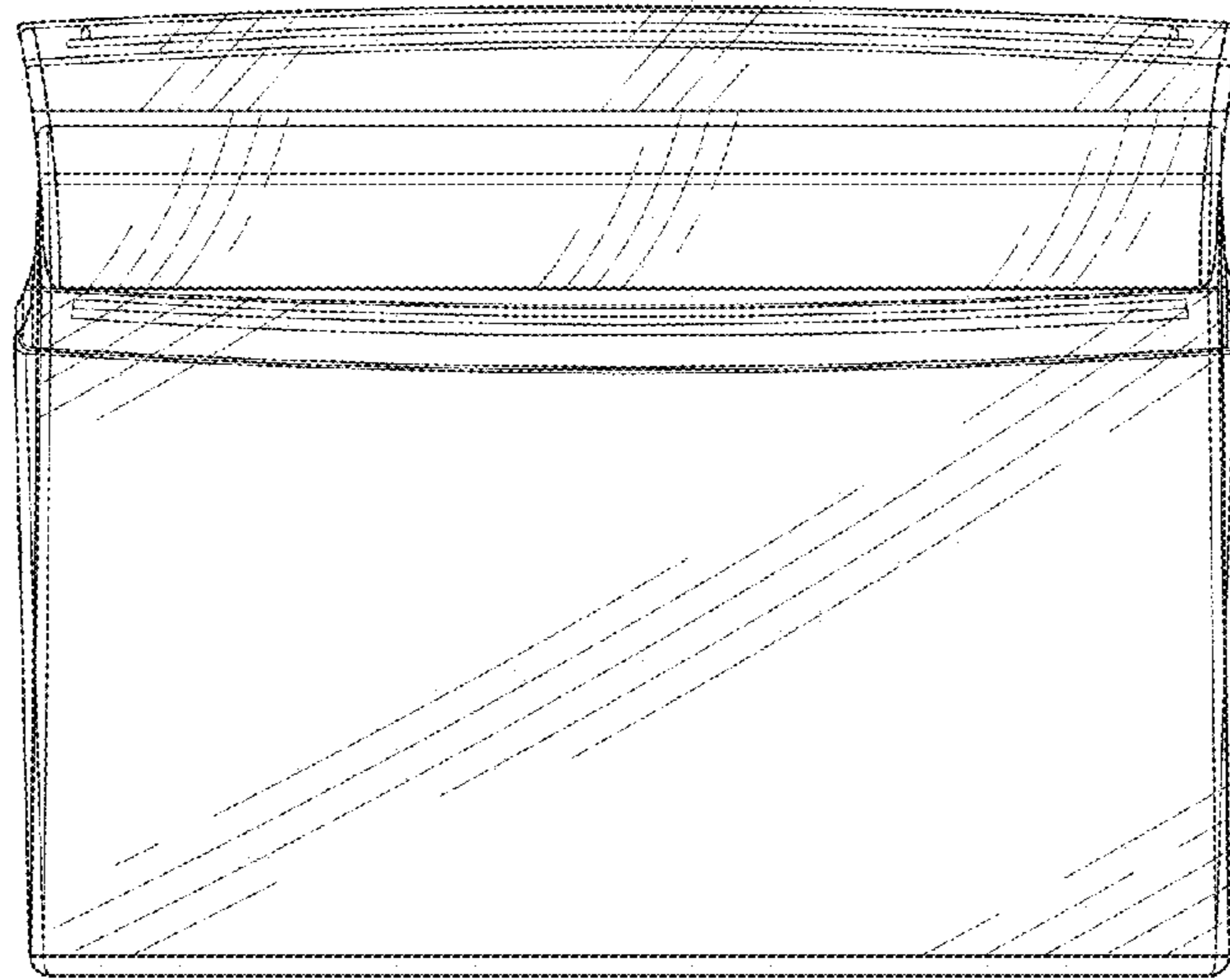


FIG. 5

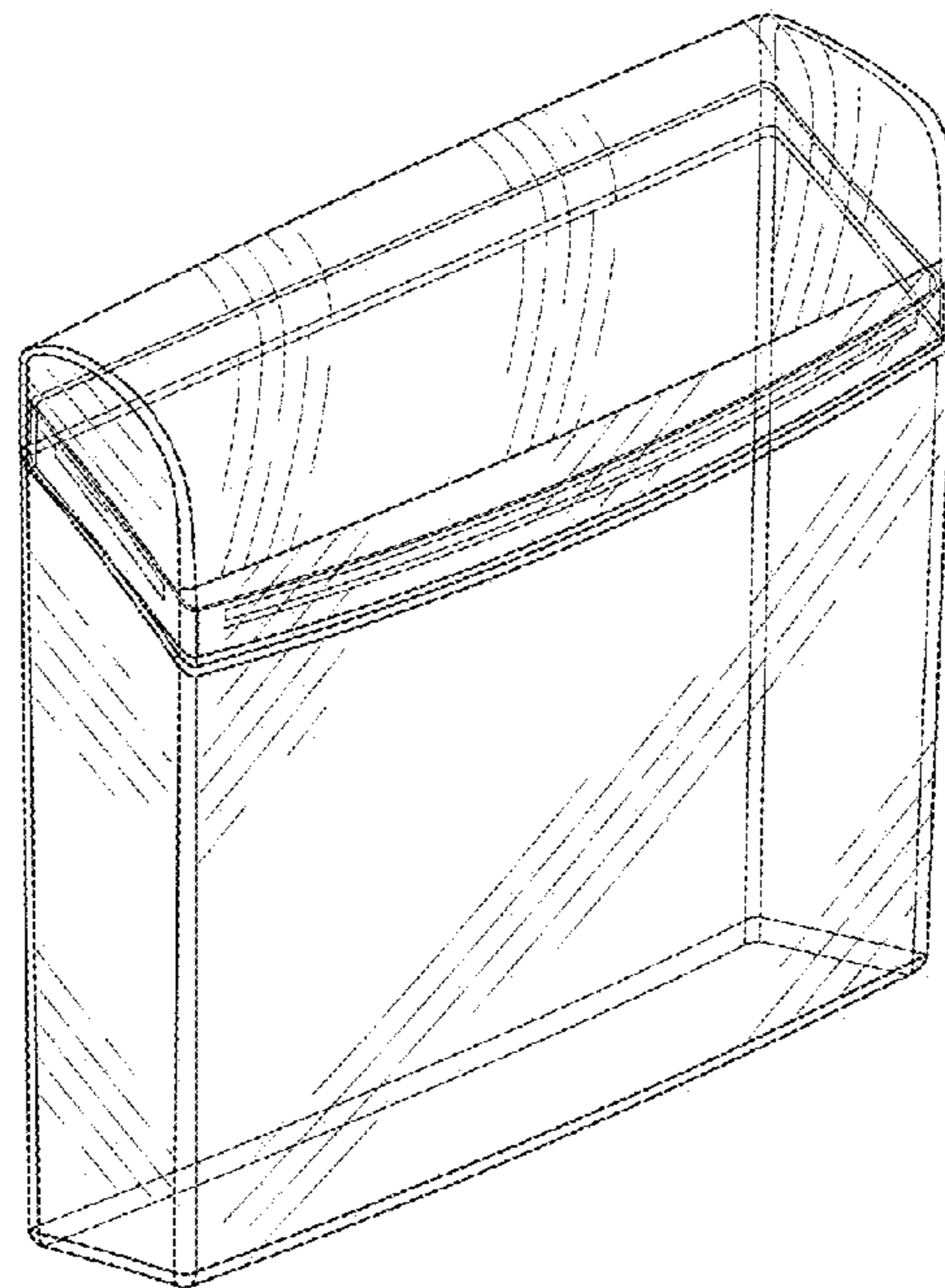


FIG. 6

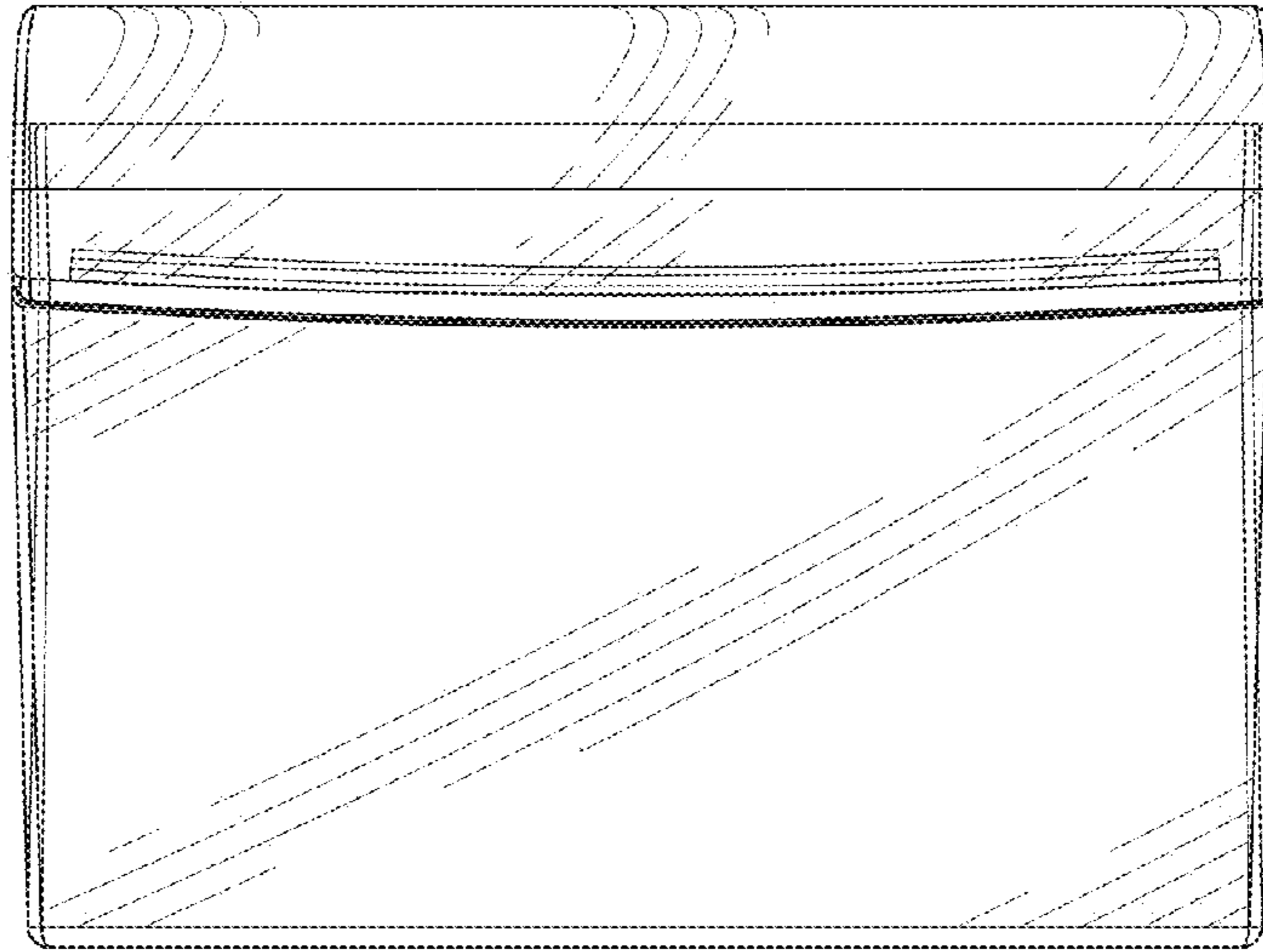


FIG. 7

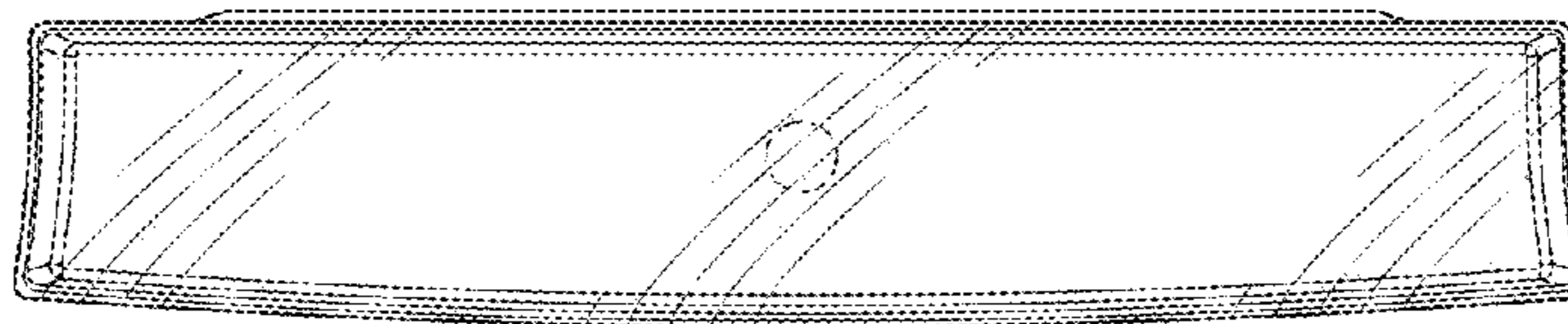
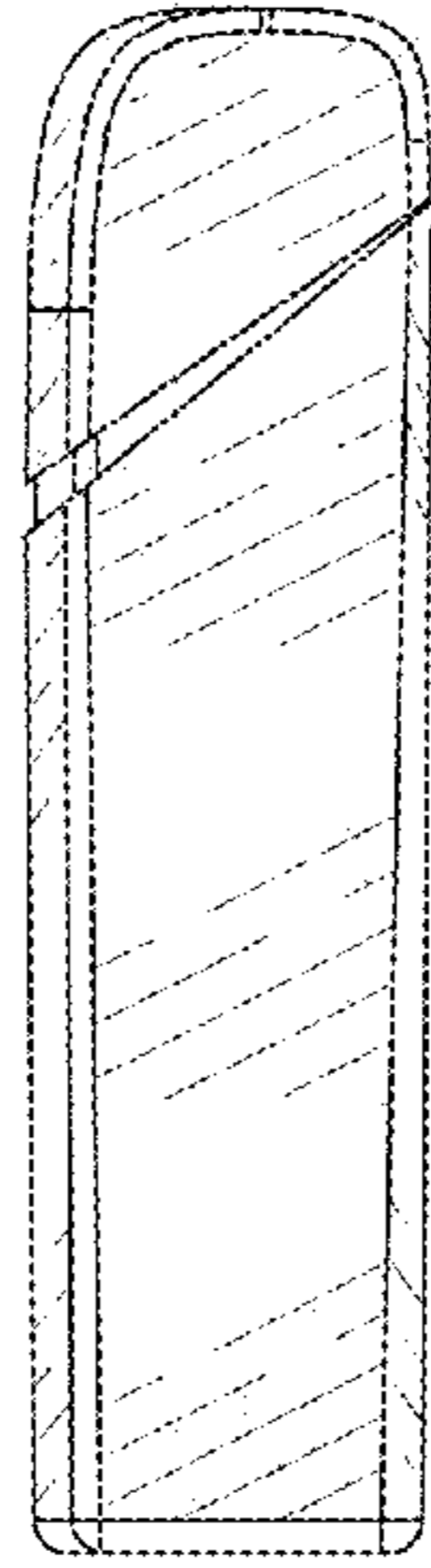
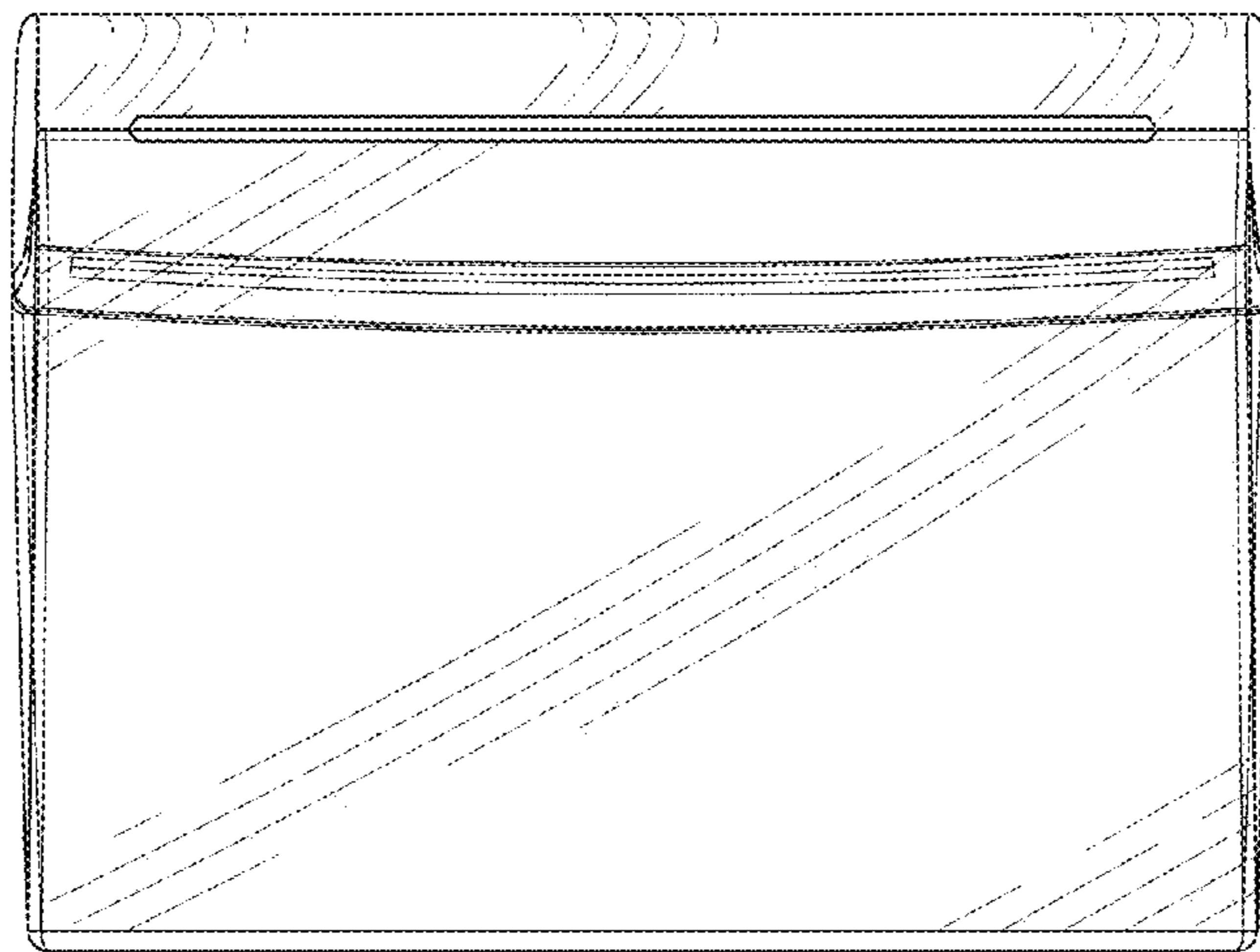


FIG. 8



**FIG. 9**



**FIG. 10**

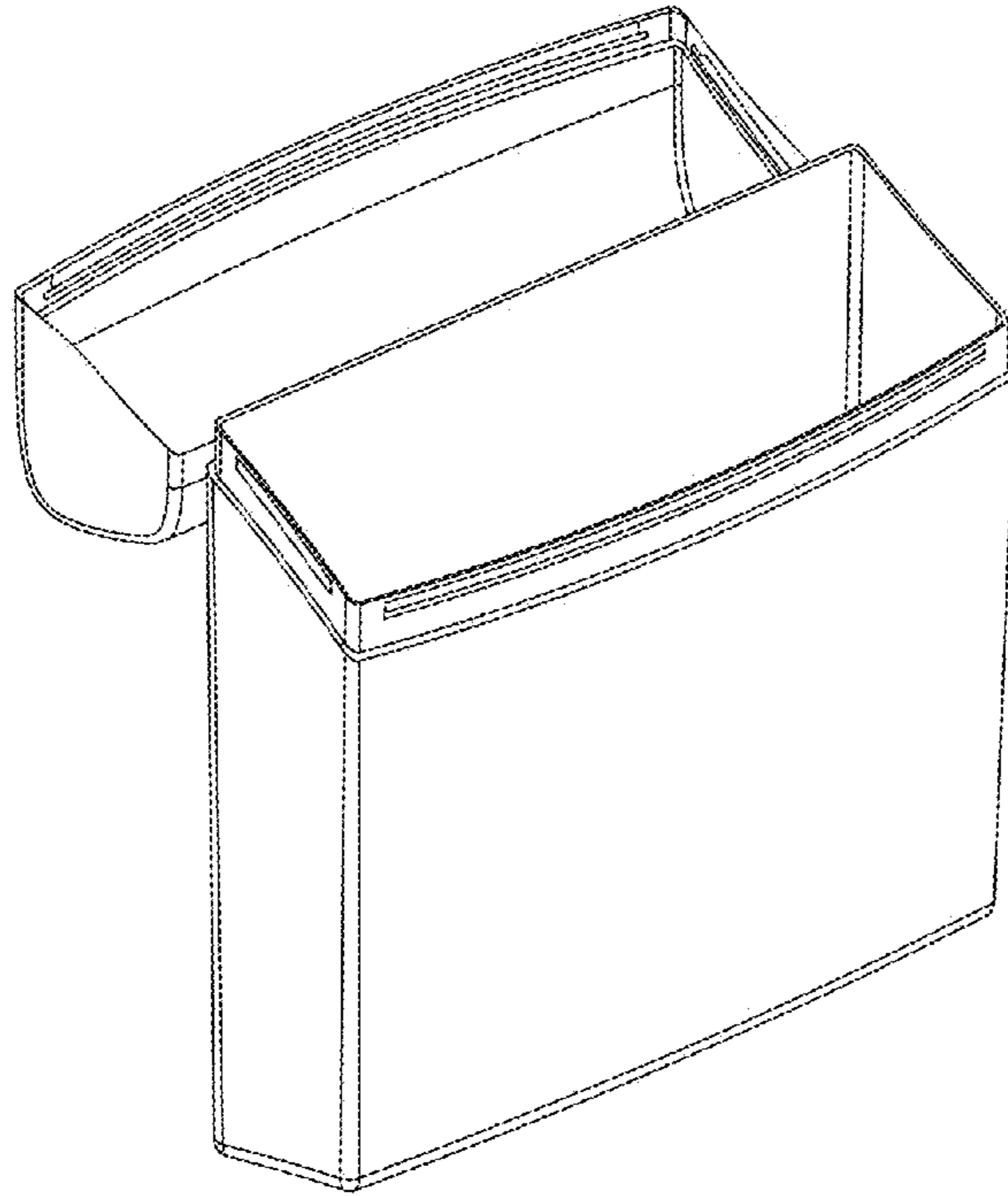


FIG. 11

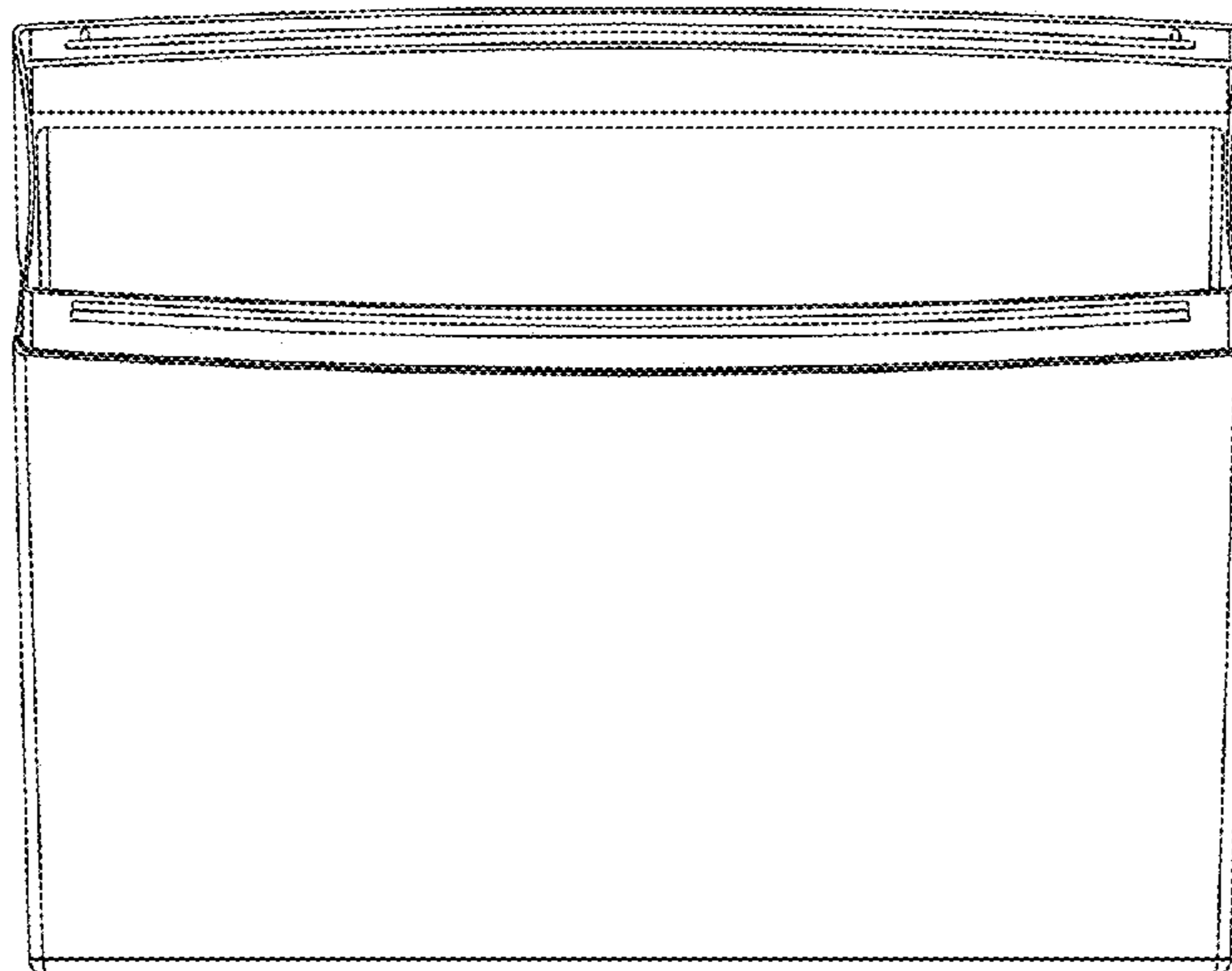
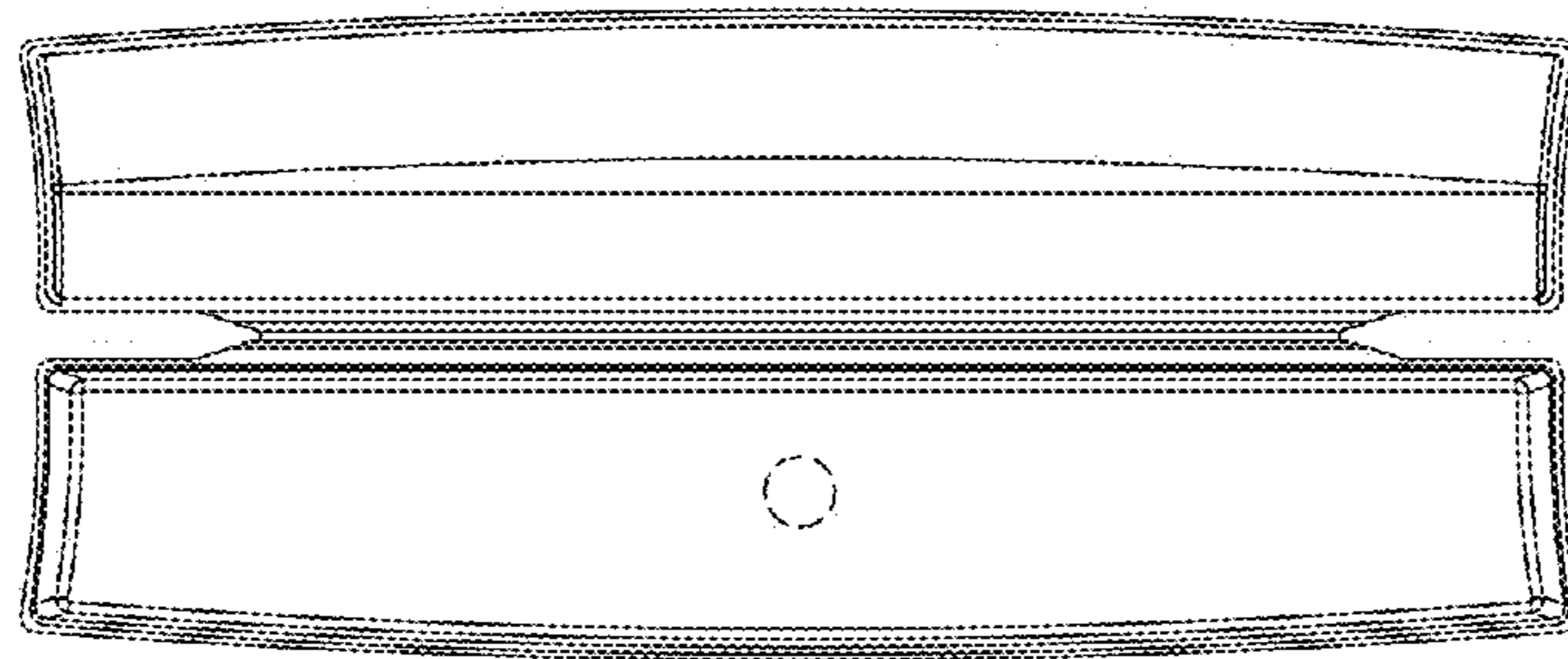
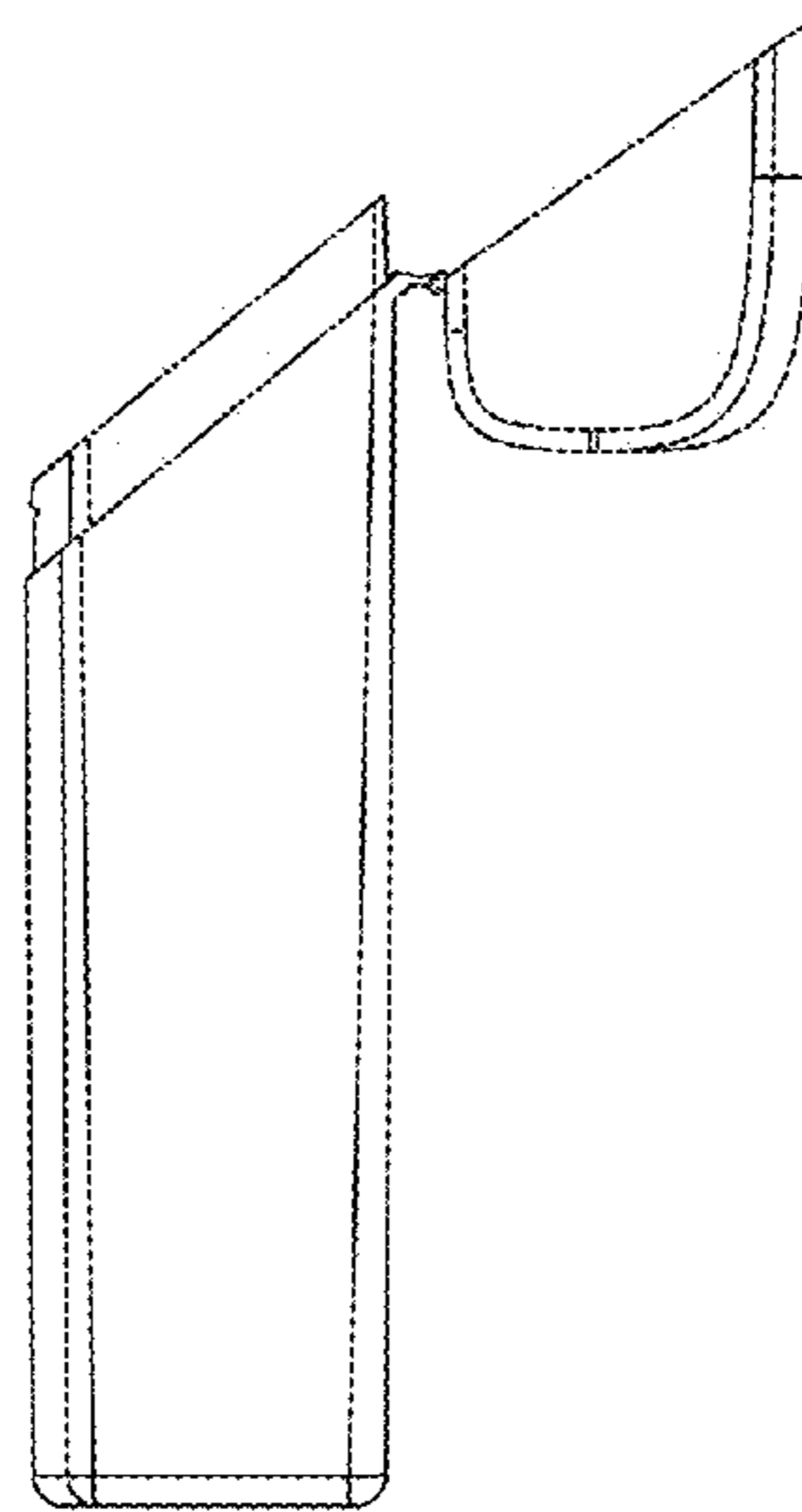


FIG. 12

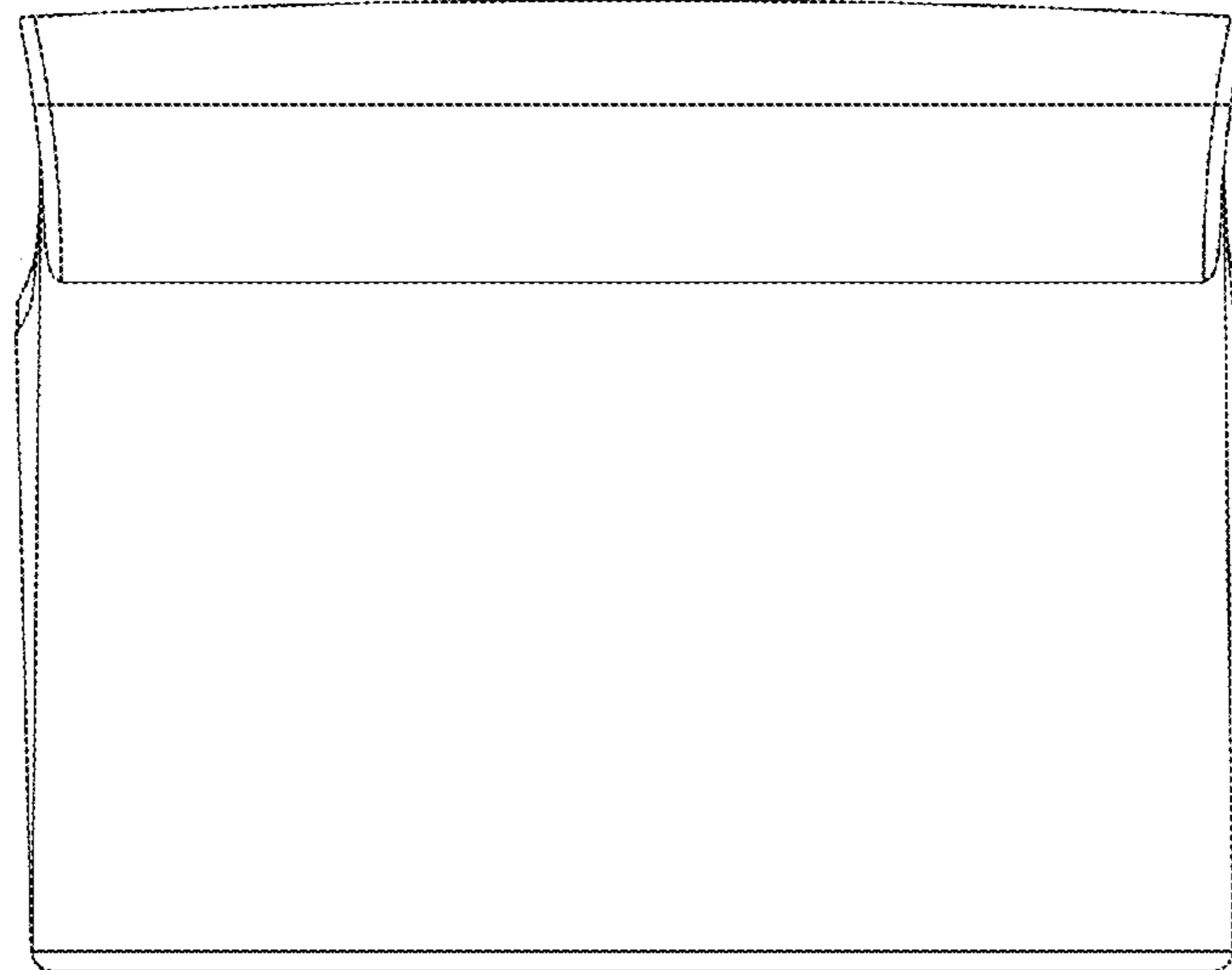




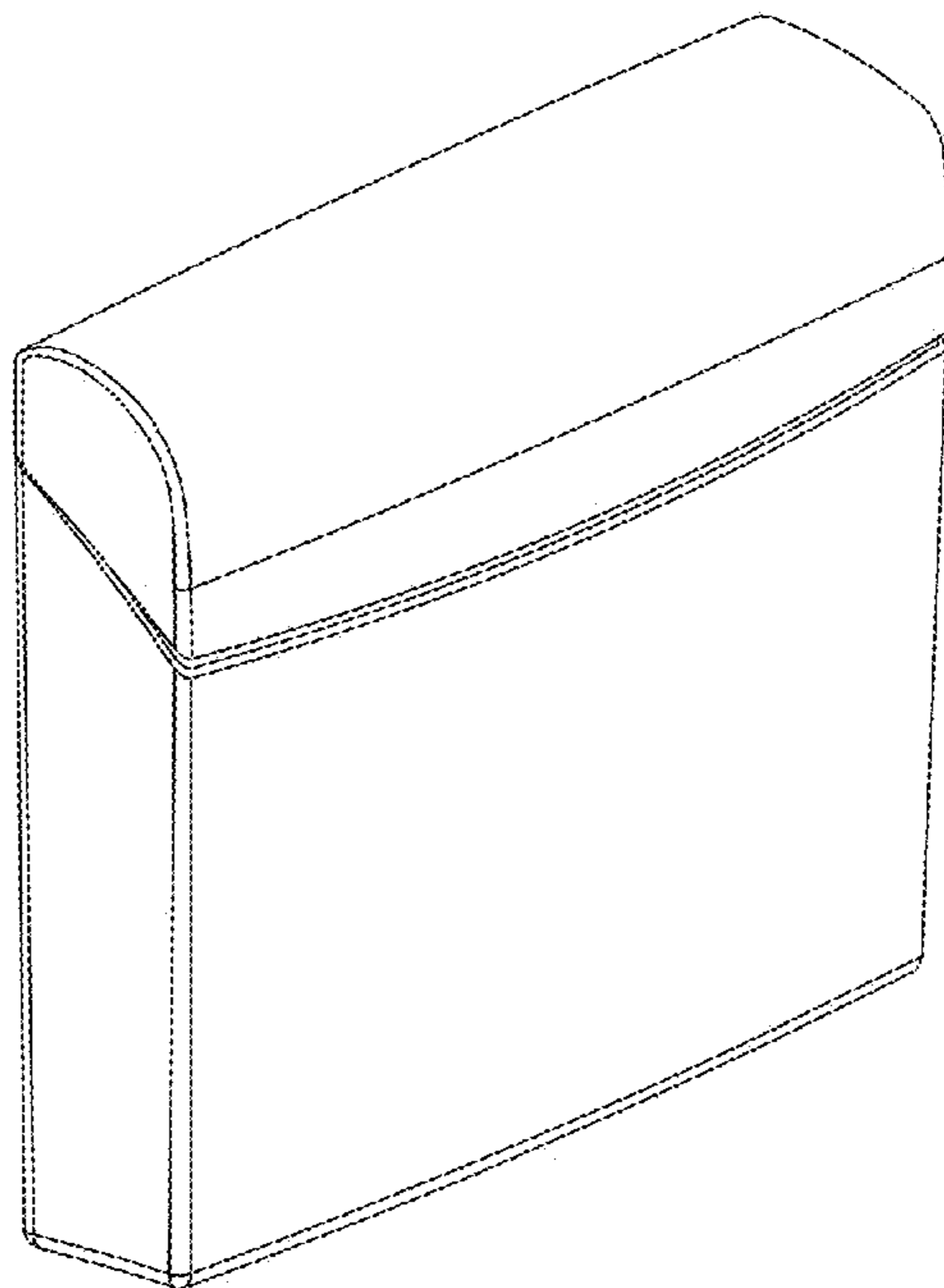
**FIG. 13**



**FIG. 14**



**FIG. 15**



**FIG. 16**

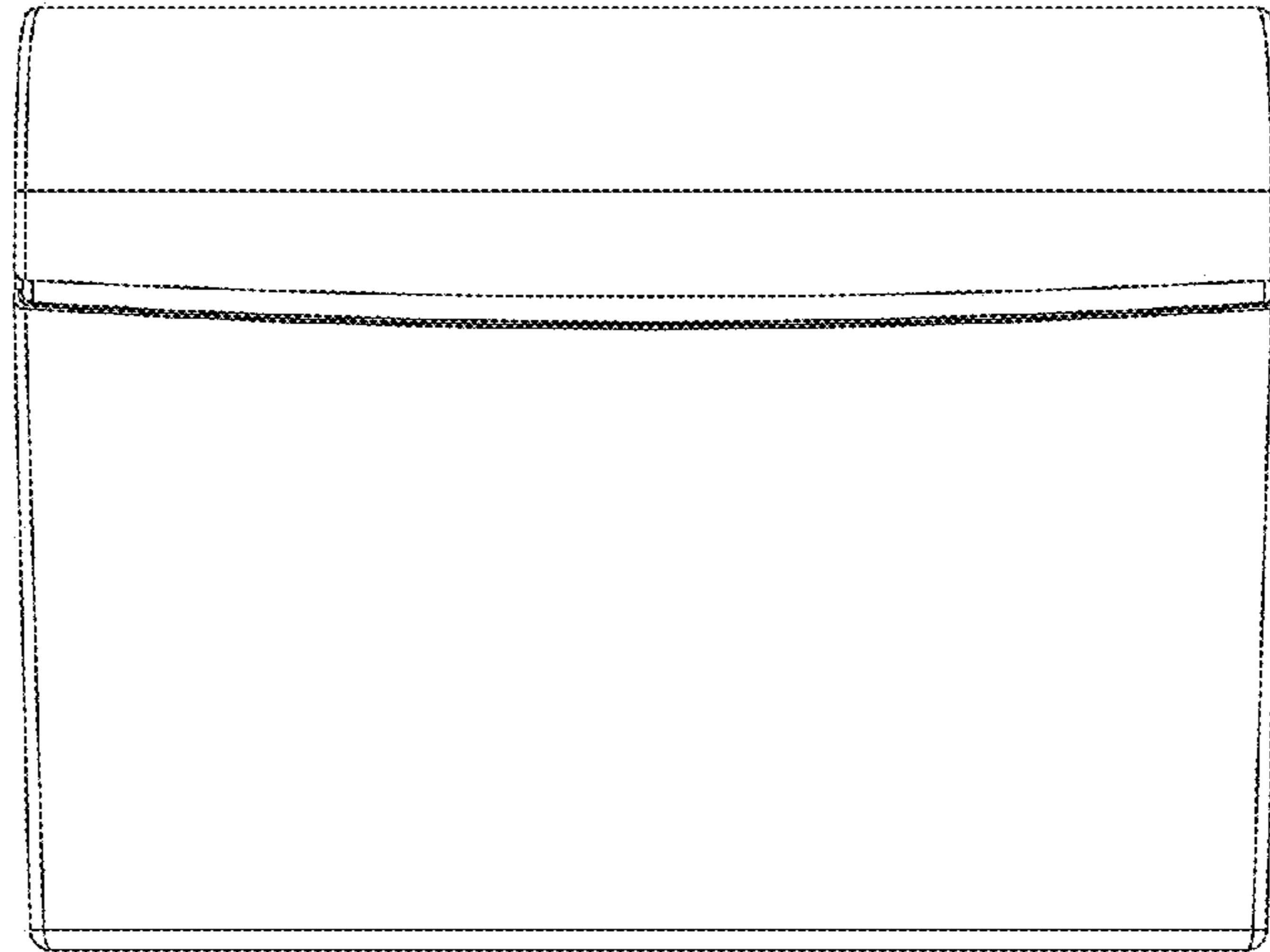
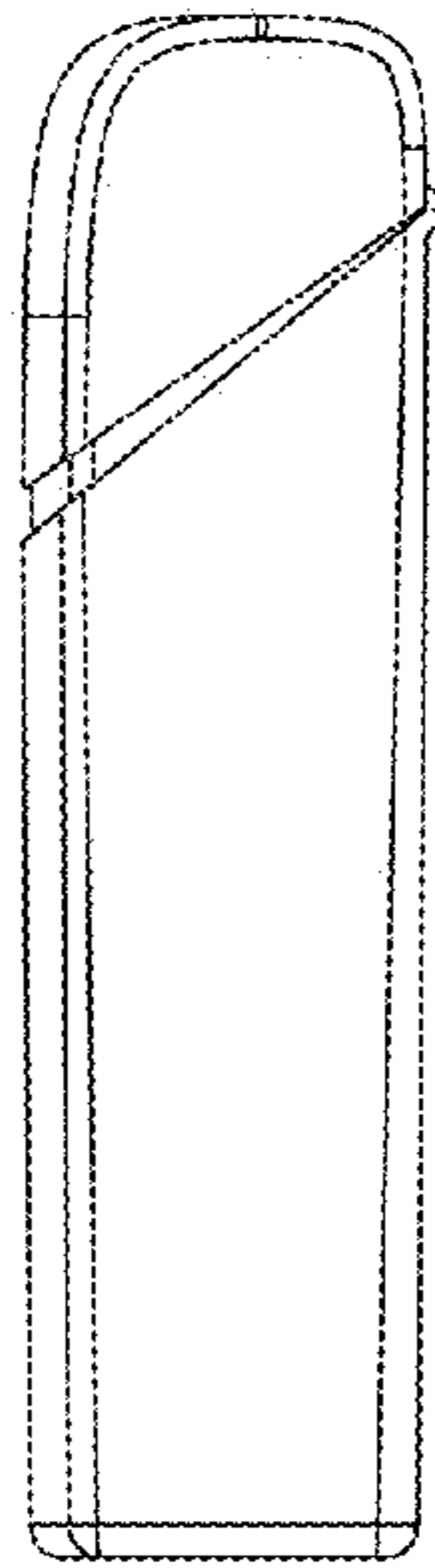


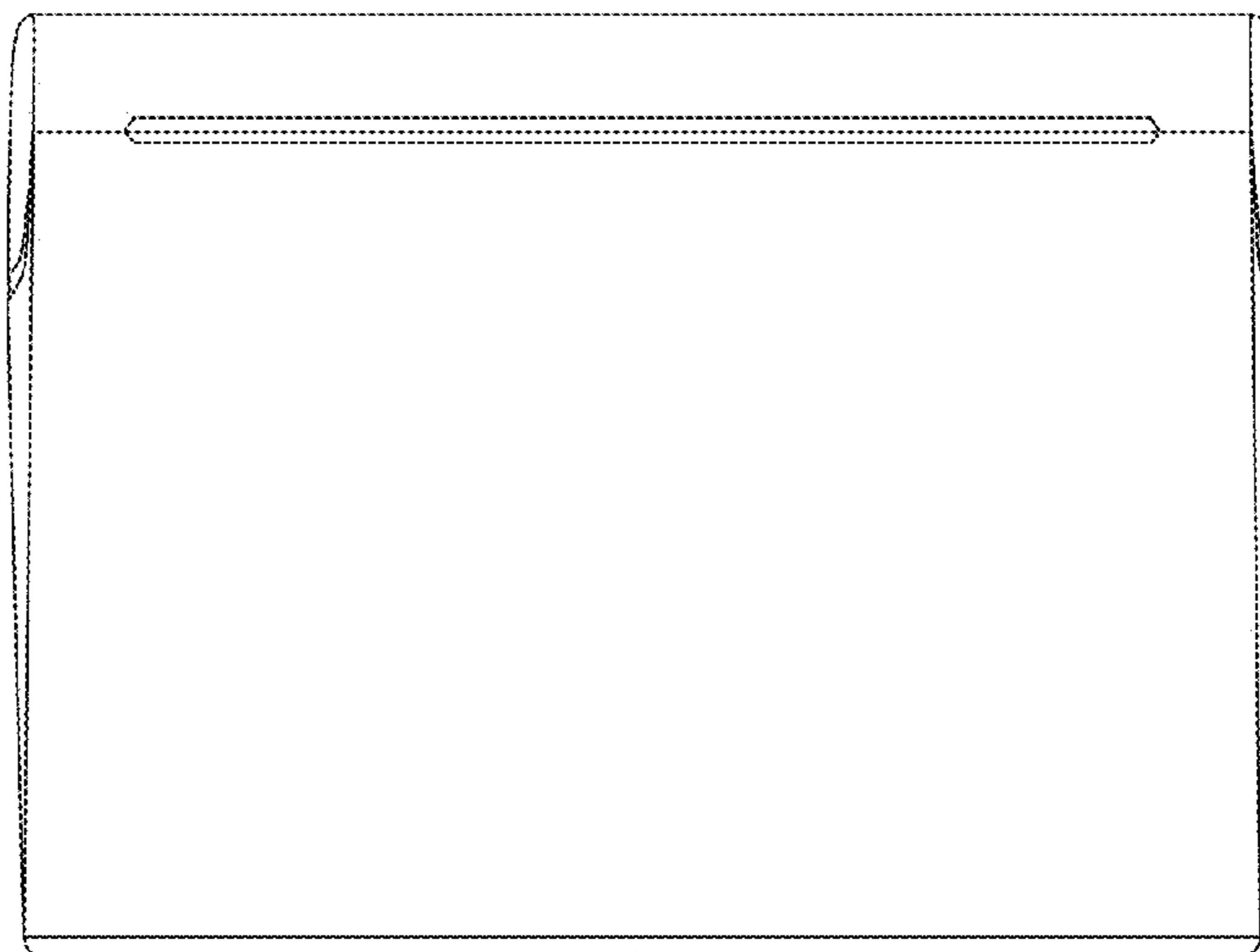
FIG. 17



FIG. 18



**FIG. 19**



**FIG. 20**