



US00D762463S

(12) **United States Design Patent**
Espinosa, Jr. et al.

(10) **Patent No.:** **US D762,463 S**
(45) **Date of Patent:** **** Aug. 2, 2016**

(54) **BRACKET FOR A CLOSET STORAGE ASSEMBLY**

1,963,981 A * 6/1934 Garrett E04G 11/00
182/93
3,021,159 A * 2/1962 Back A47B 47/0008
403/191

(71) Applicant: **Clairson, Inc.**, Newark, DE (US)

(Continued)

(72) Inventors: **Edward S. Espinosa Espinosa, Jr.**,
Ocala, FL (US); **Stephen E. Watkins**,
Morriston, FL (US); **Ernie Torres**,
Gainesville, FL (US)

Primary Examiner — Sheryl Lane
Assistant Examiner — Ieisha Price

(74) *Attorney, Agent, or Firm* — Harness, Dickey & Pierce,
P.L.C.

(73) Assignee: **Clairson, Inc.**, Newark, DE (US)

(57) **CLAIM**

The ornamental design for a bracket for a closet storage assembly, as shown and described.

(**) Term: **14 Years**

(21) Appl. No.: **29/514,430**

DESCRIPTION

(22) Filed: **Jan. 13, 2015**

Related U.S. Application Data

(63) Continuation-in-part of application No. 14/592,268,
filed on Jan. 8, 2015.

(51) **LOC (10) Cl.** **08-08**

(52) **U.S. Cl.**
USPC **D8/382**

(58) **Field of Classification Search**
USPC D8/349, 394, 396, 380, 381, 382, 499;
D23/262, 263, 265; D25/68; D6/328,
D6/702, 553, 567, 572
CPC A47B 57/54; A47B 57/545; A47B 61/003;
A47B 47/0091; A47B 2230/14; A47B 61/00;
A47B 96/145; A47B 61/04; A47B 96/14;
F16B 12/40; F16B 2012/406; F16B 7/04;
F16B 7/0486; Y10T 403/341
See application file for complete search history.

FIG. 1 is a perspective view of a bracket for a closet storage assembly showing our new design, in an open position to illustrate the interior;

FIG. 2 is a second perspective view of FIG. 1;

FIG. 3 is a third perspective view showing the exterior of FIG. 1;

FIG. 4 is a fourth perspective view showing the exterior of FIG. 1;

FIG. 5 is a front view of FIG. 1;

FIG. 6 is a back view of FIG. 1;

FIG. 7 is a right side view of FIG. 1;

FIG. 8 is a left side view of FIG. 1;

FIG. 9 is a top view of FIG. 1;

FIG. 10 is a bottom view of FIG. 1;

FIG. 11 is a perspective view of a bracket for a closet storage assembly showing our new design, in a closed position;

FIG. 12 is a second perspective view of FIG. 11;

FIG. 13 is a third perspective view of FIG. 11;

FIG. 14 is a fourth perspective view of FIG. 11;

FIG. 15 is a front view of FIG. 11;

FIG. 16 is a back view of FIG. 11;

FIG. 17 is a right side view of FIG. 11;

FIG. 18 is a left side view of FIG. 11;

FIG. 19 is a top view of FIG. 11; and,

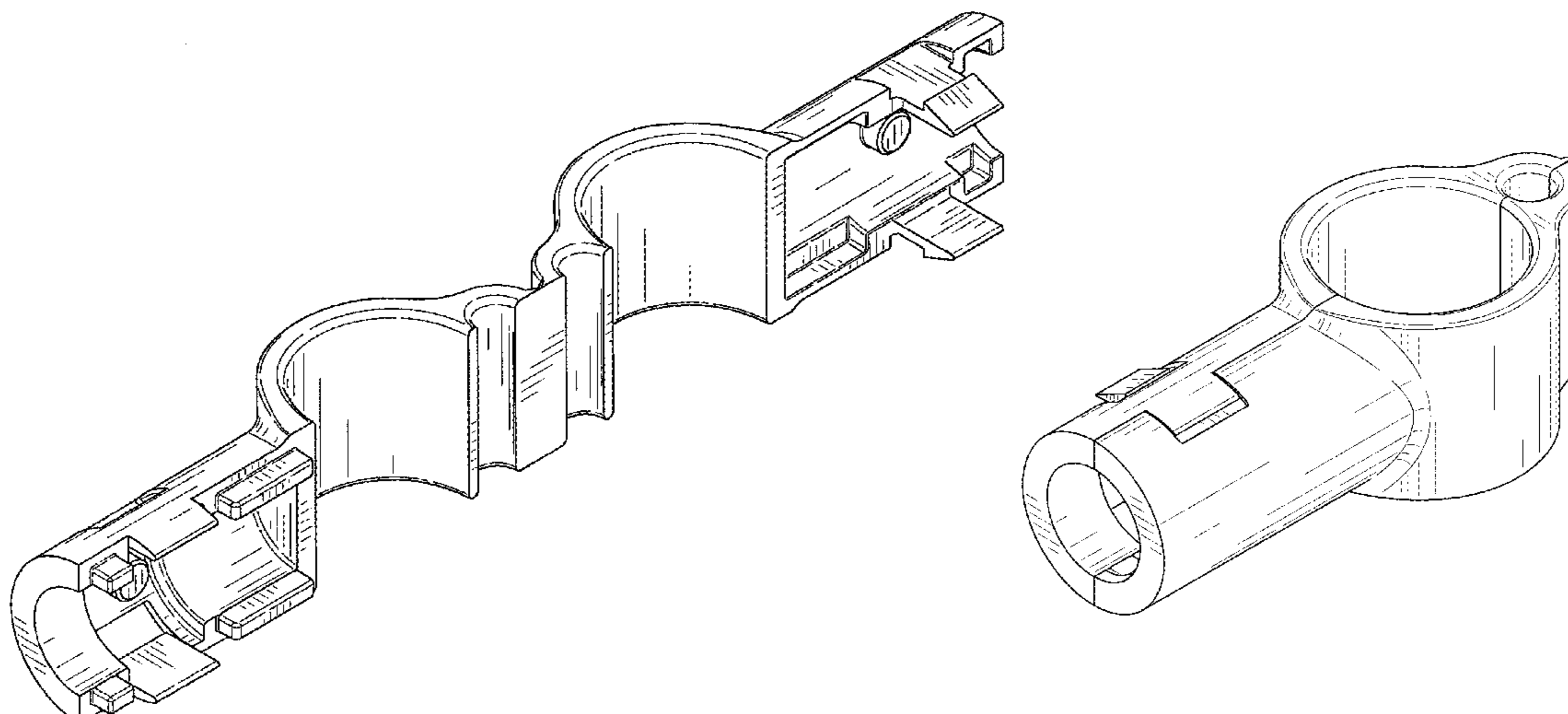
FIG. 20 is a bottom view of FIG. 11.

References Cited

U.S. PATENT DOCUMENTS

833,746 A * 10/1906 Lyle A47B 61/003
248/251
1,347,808 A 7/1920 Franklin

1 Claim, 11 Drawing Sheets



(56)

References Cited

U.S. PATENT DOCUMENTS

D218,204 S *	7/1970	Schier	D6/328	6,565,279 B1 *	5/2003	Skovronski	F16B 7/0486 256/65.05
3,820,909 A *	6/1974	Schindler	E04H 17/1413 256/65.04	D480,298 S *	10/2003	Skovronski	D8/394
4,209,099 A	6/1980	Wickes		D482,956 S *	12/2003	Pyron	D8/382
4,864,795 A *	9/1989	Burg	F16B 7/04 403/174	7,062,836 B1 *	6/2006	Sorgi	F16B 7/00 285/123.1
5,027,962 A	7/1991	Maccarrone		2004/0101354 A1 *	5/2004	Nakahori	F16B 7/0426 403/169
D347,377 S *	5/1994	Nakamura	D8/354	2008/0135509 A1	6/2008	Jackson	
D355,590 S *	2/1995	Kuwata	D8/382	2010/0092236 A1 *	4/2010	Kang	E04B 1/585 403/170
D371,431 S *	7/1996	Streit	D23/263	2012/0087719 A1 *	4/2012	Rixen	F16B 7/0486 403/192
D374,607 S *	10/1996	Shoda	D8/382	2012/0223518 A1 *	9/2012	Yoshino	F16B 7/0486 285/133.11
D397,210 S *	8/1998	Evans	D23/262				
D418,396 S *	1/2000	Hirano	D8/382				

* cited by examiner

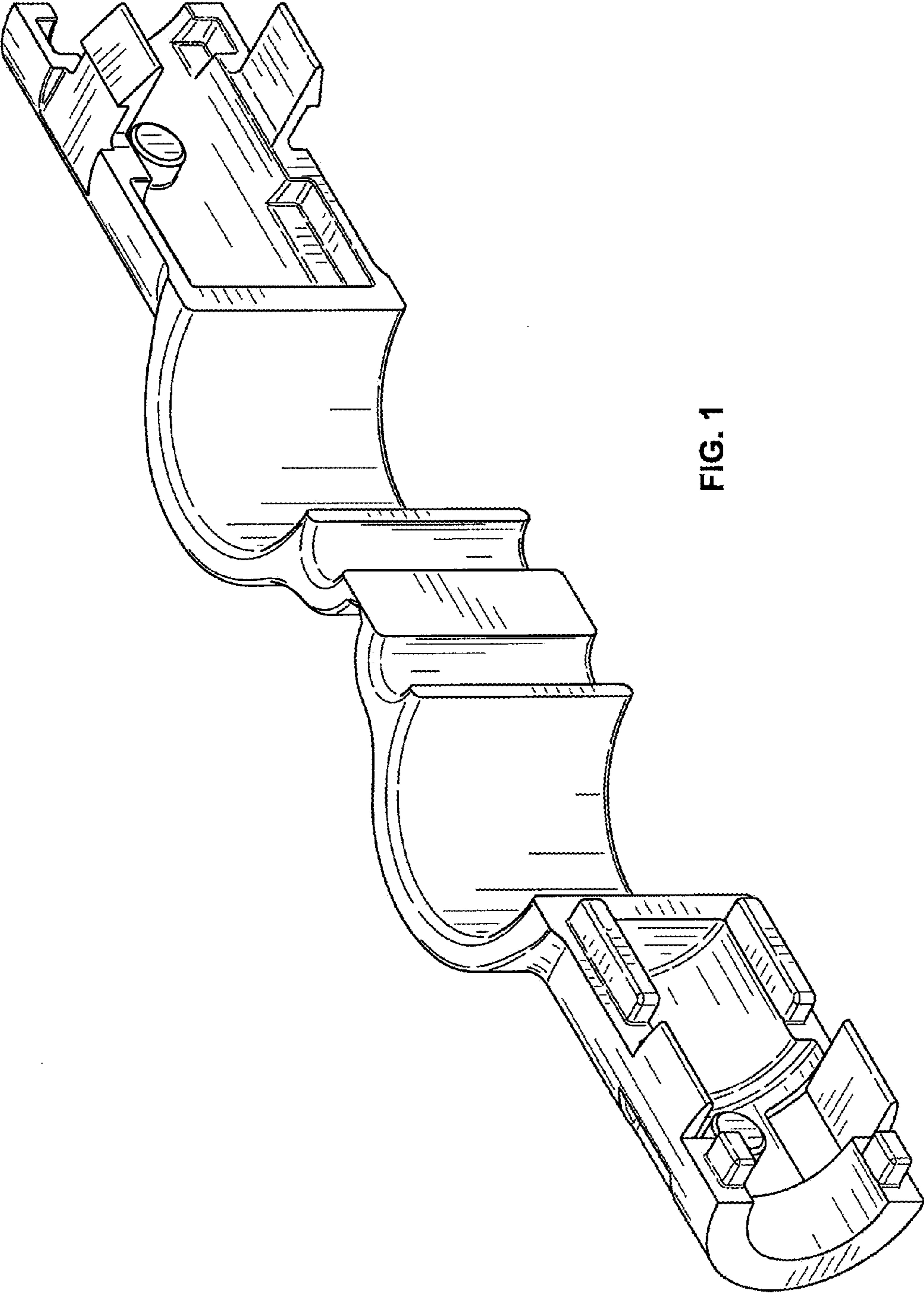


FIG. 1

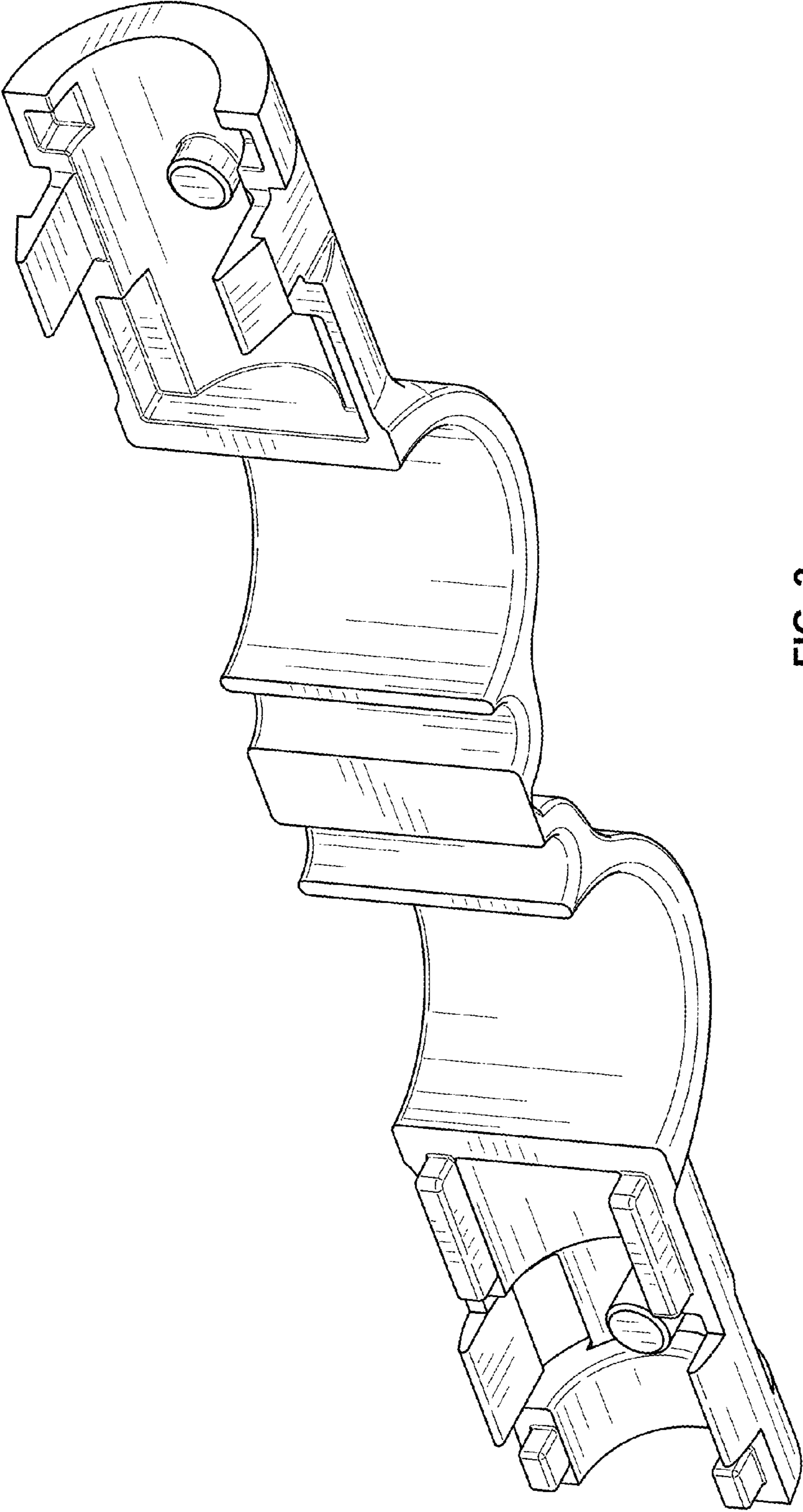


FIG. 2

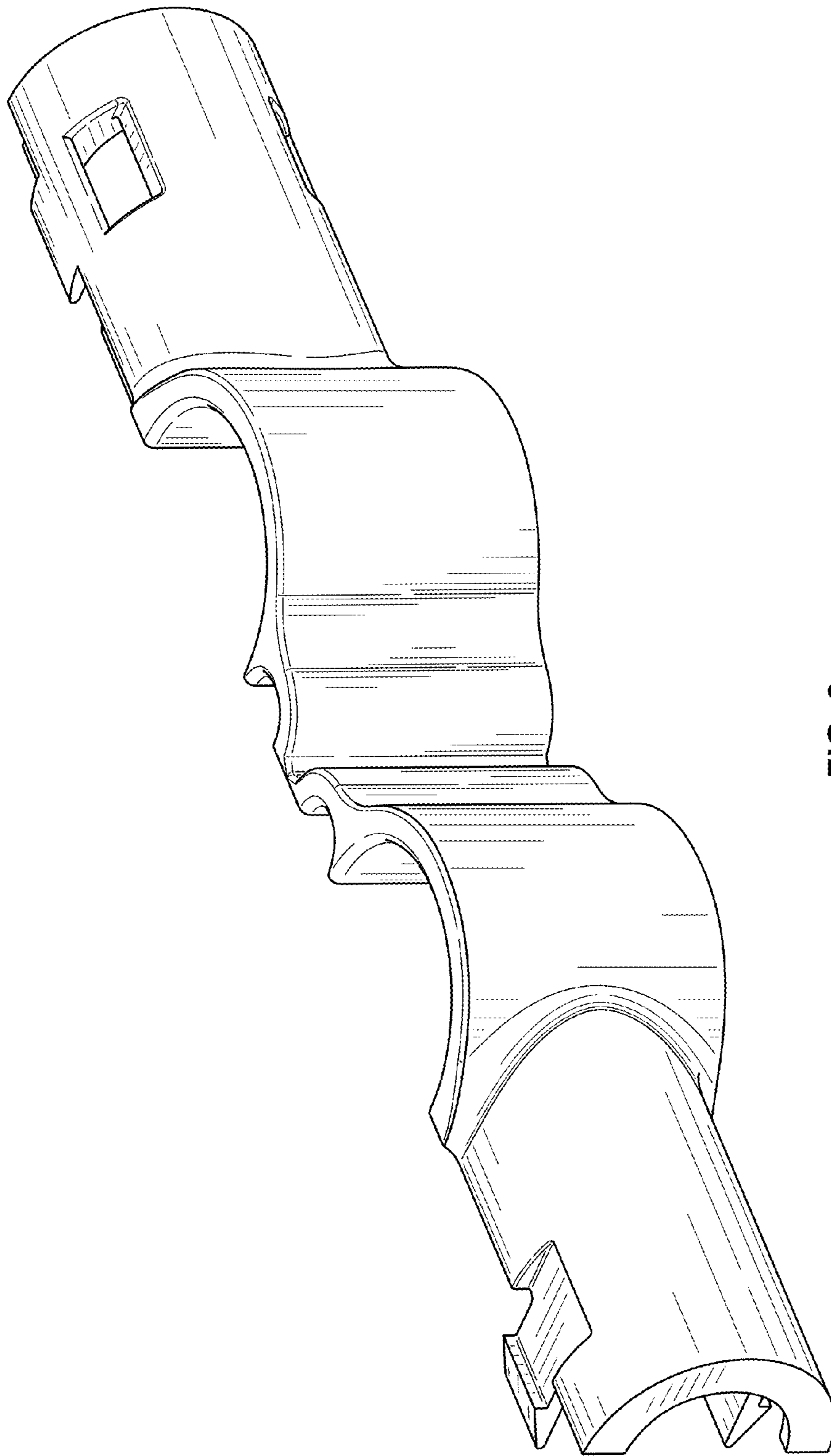


FIG. 3

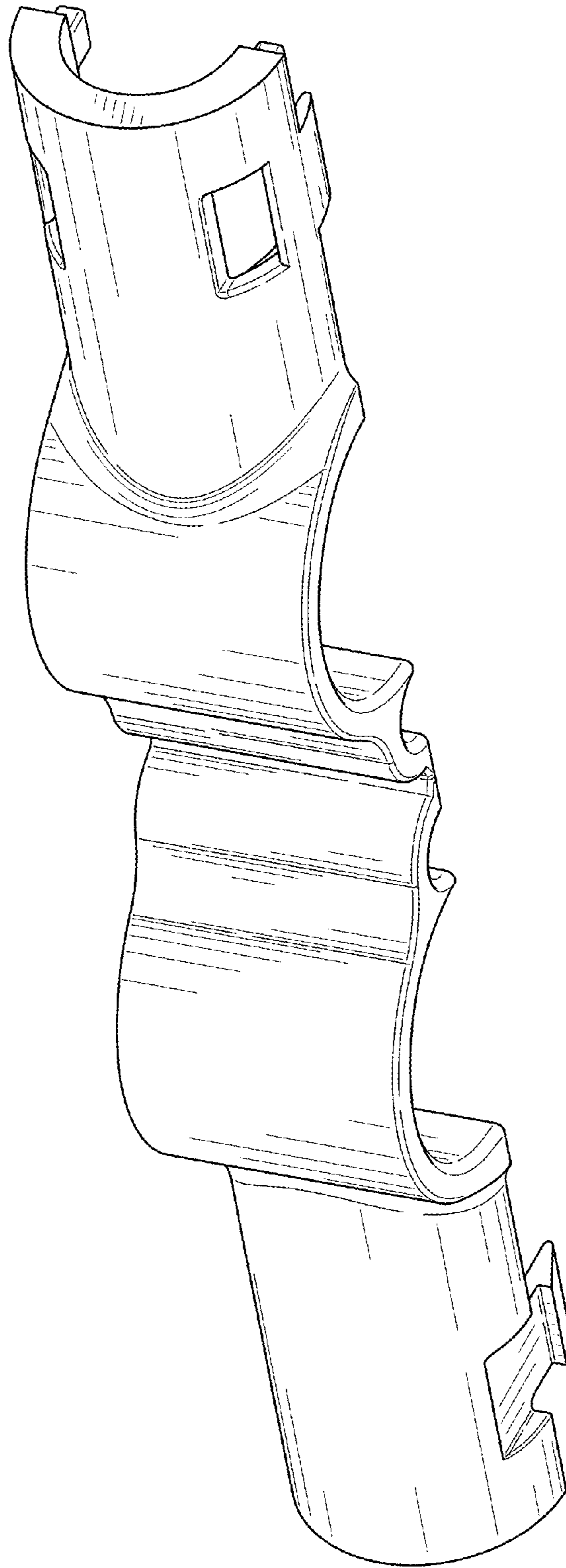


FIG. 4

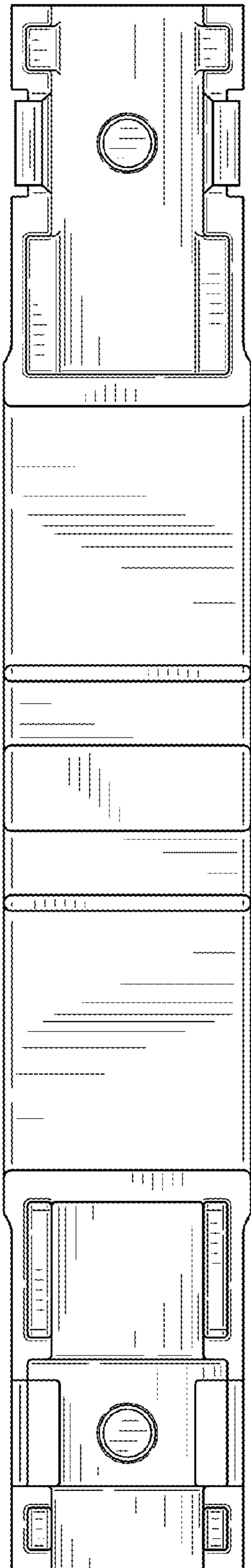


FIG. 5

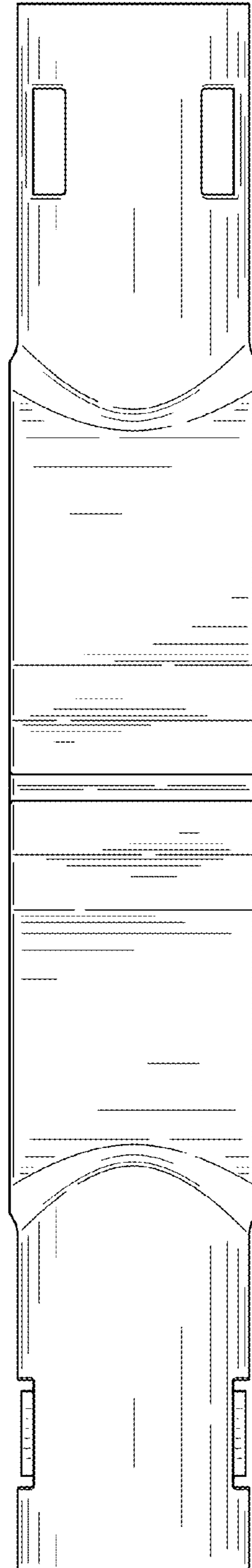


FIG. 6

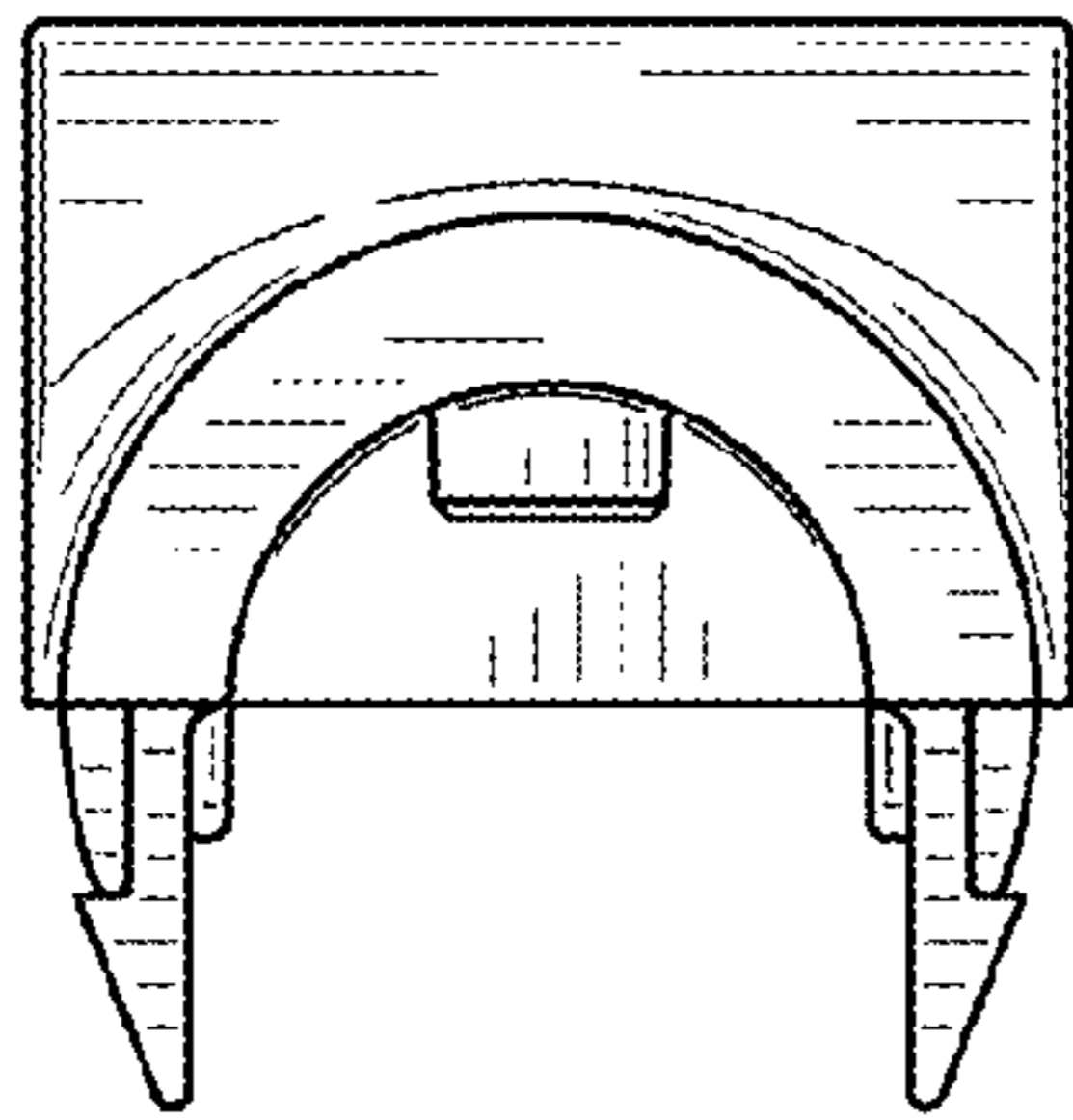


FIG. 7

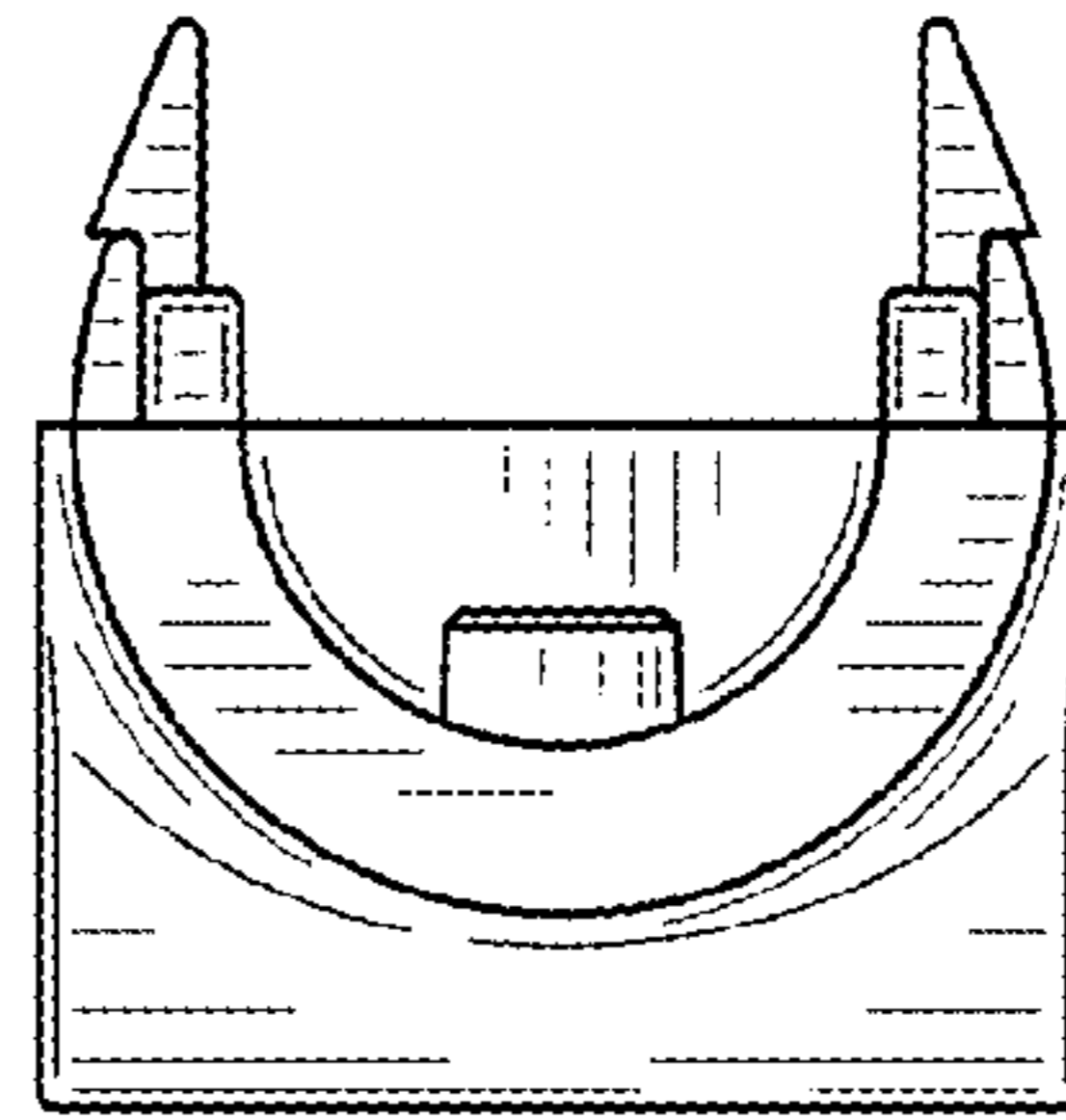


FIG. 8

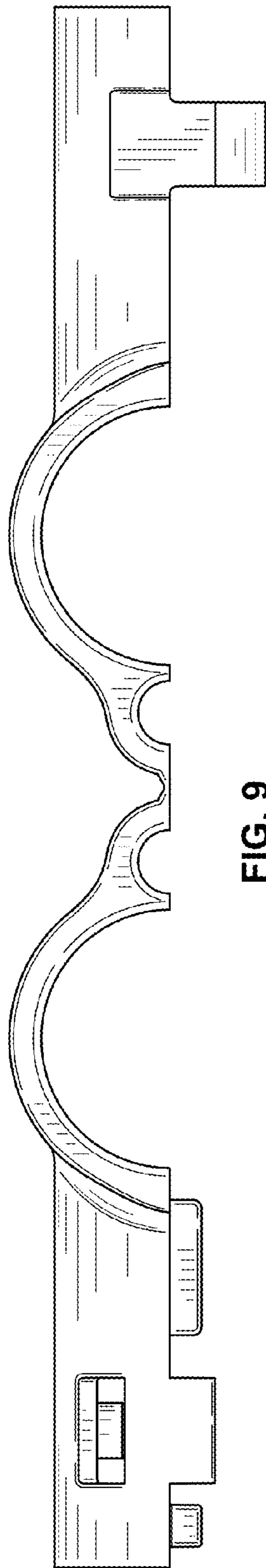


FIG. 9

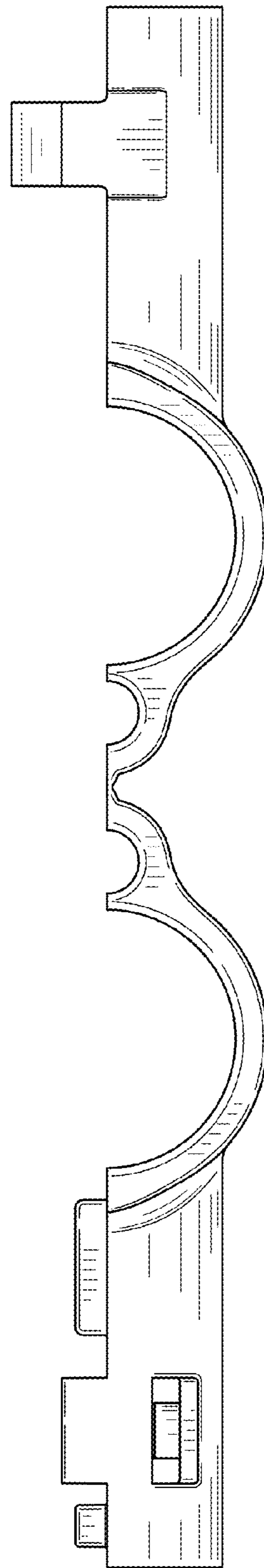


FIG. 10

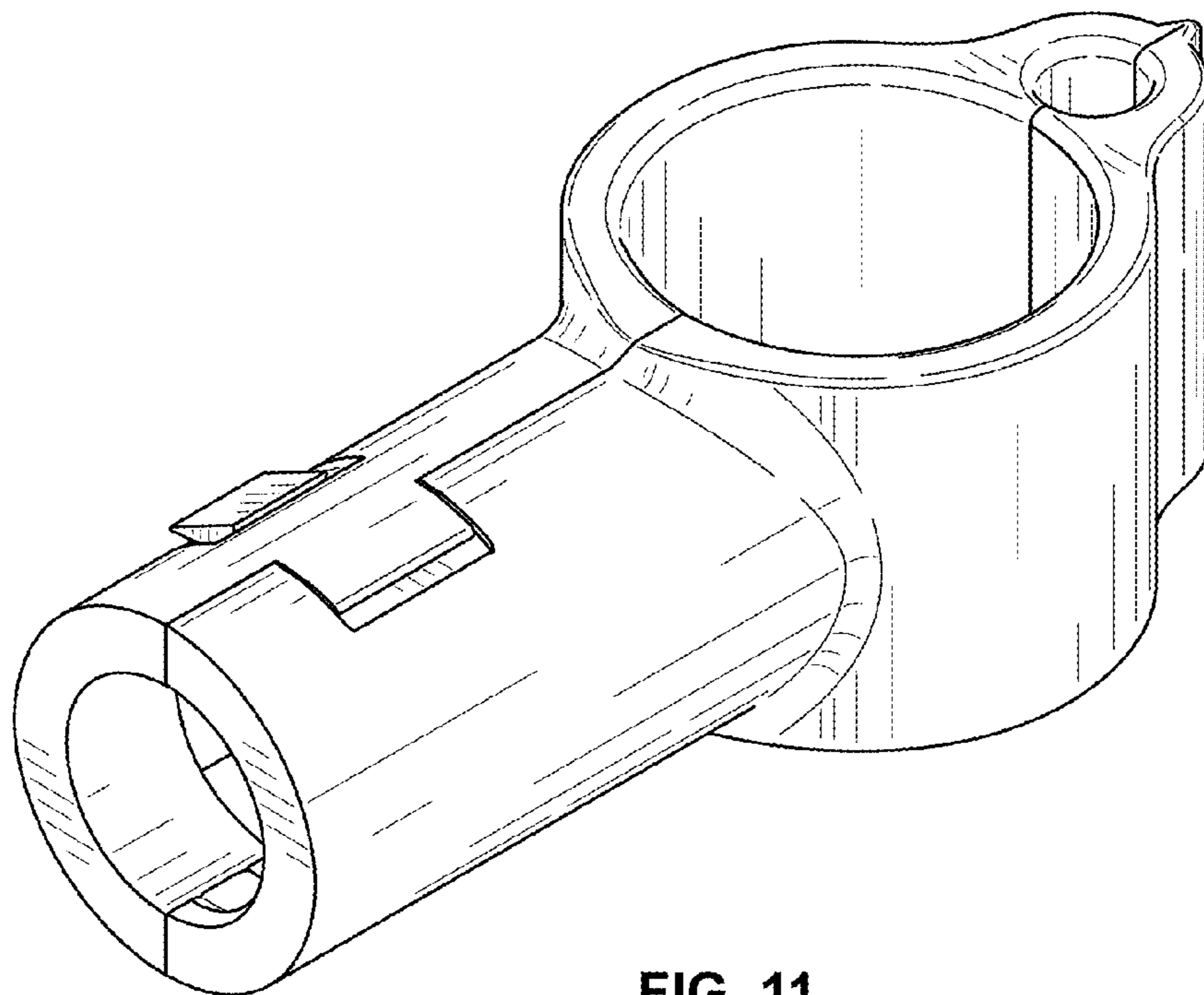


FIG. 11

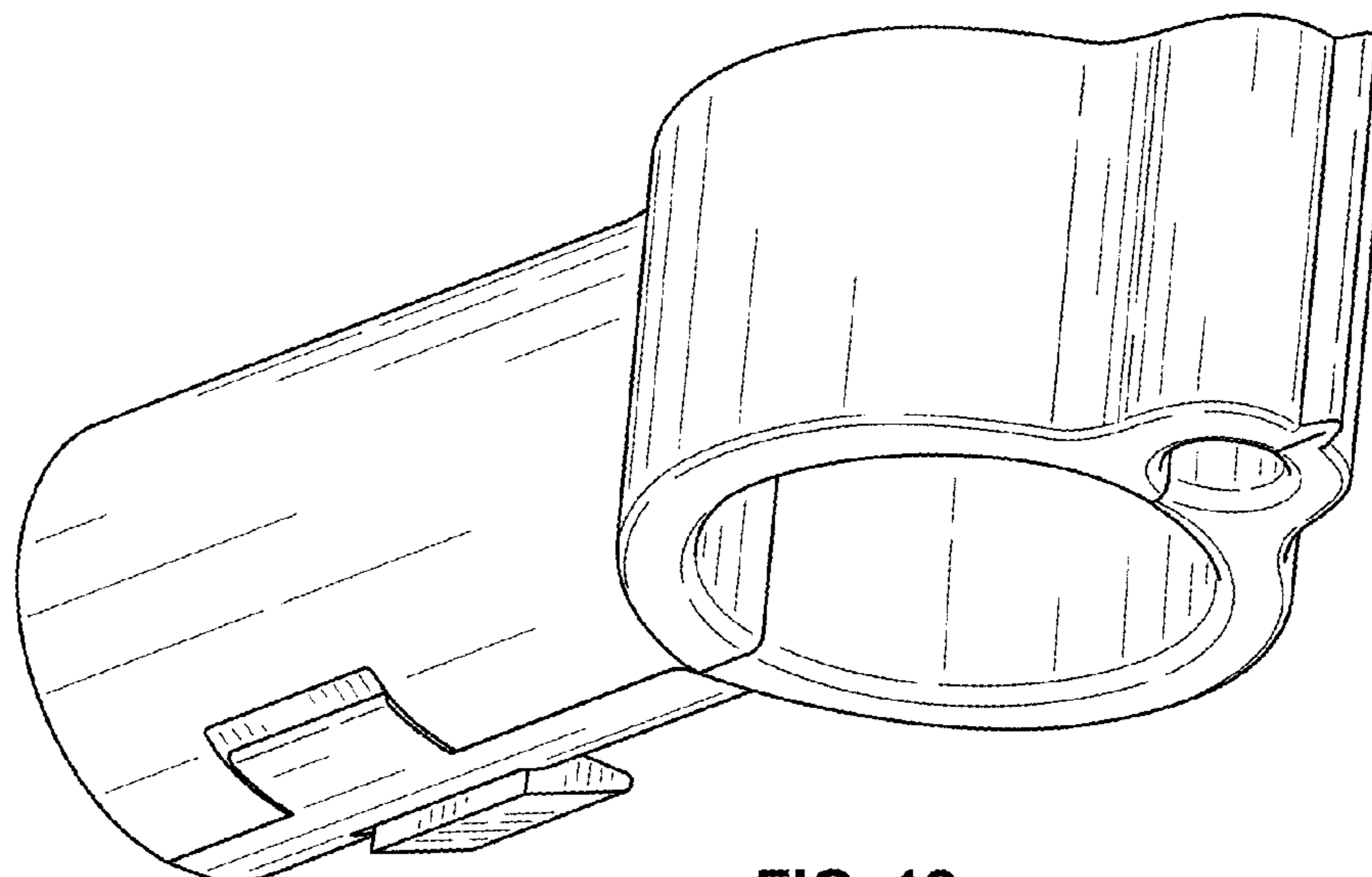


FIG. 12

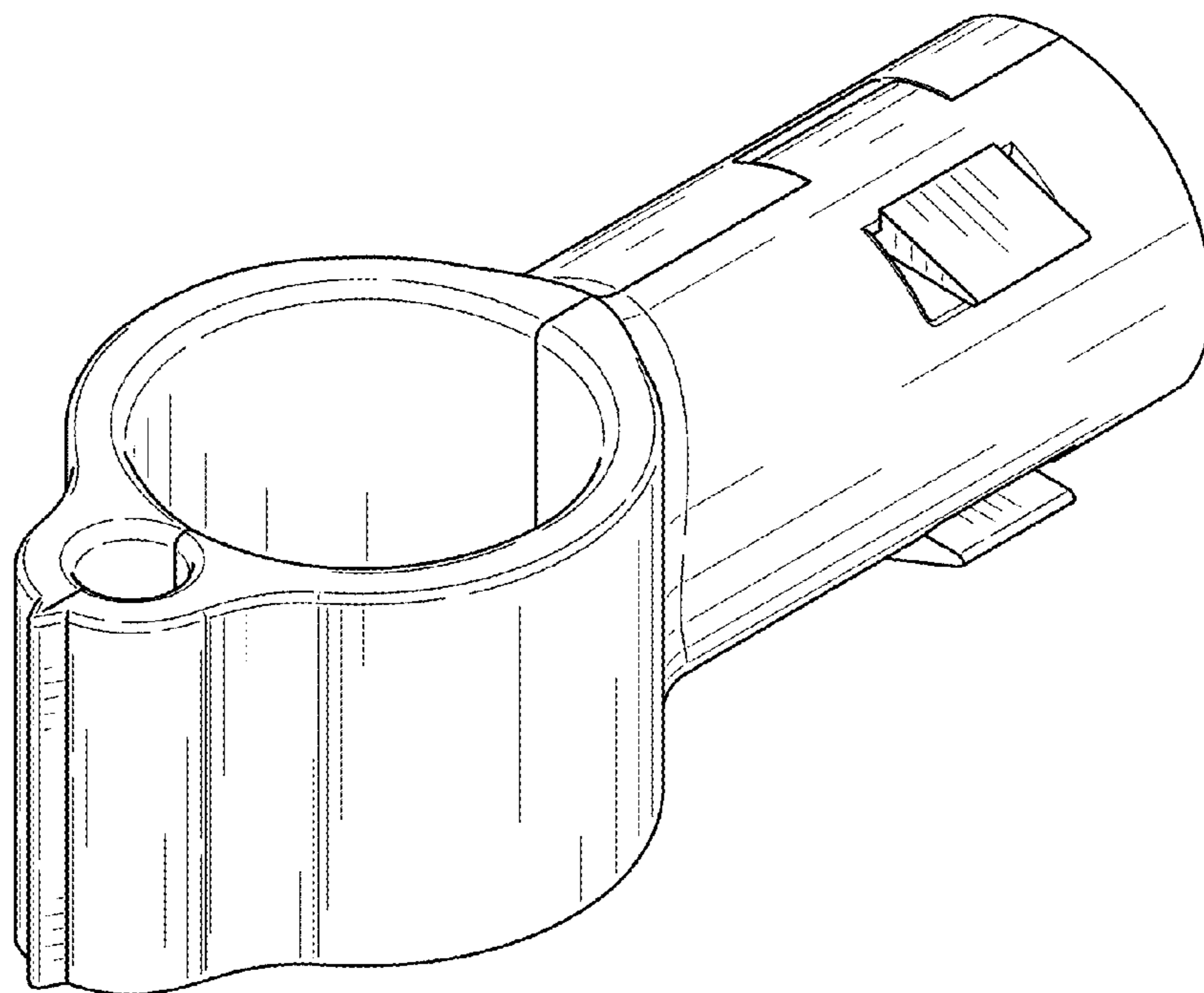


FIG. 13

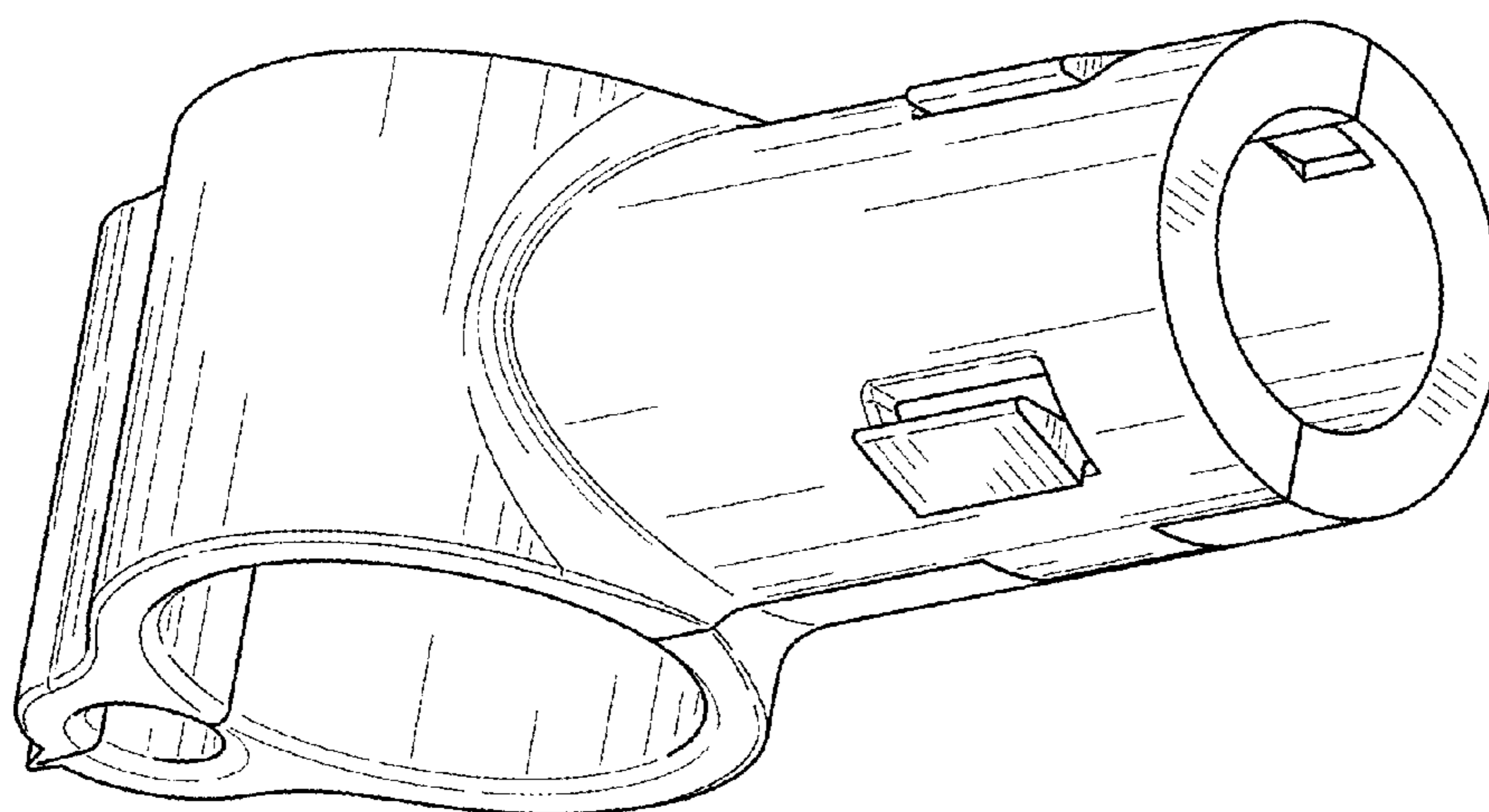


FIG. 14

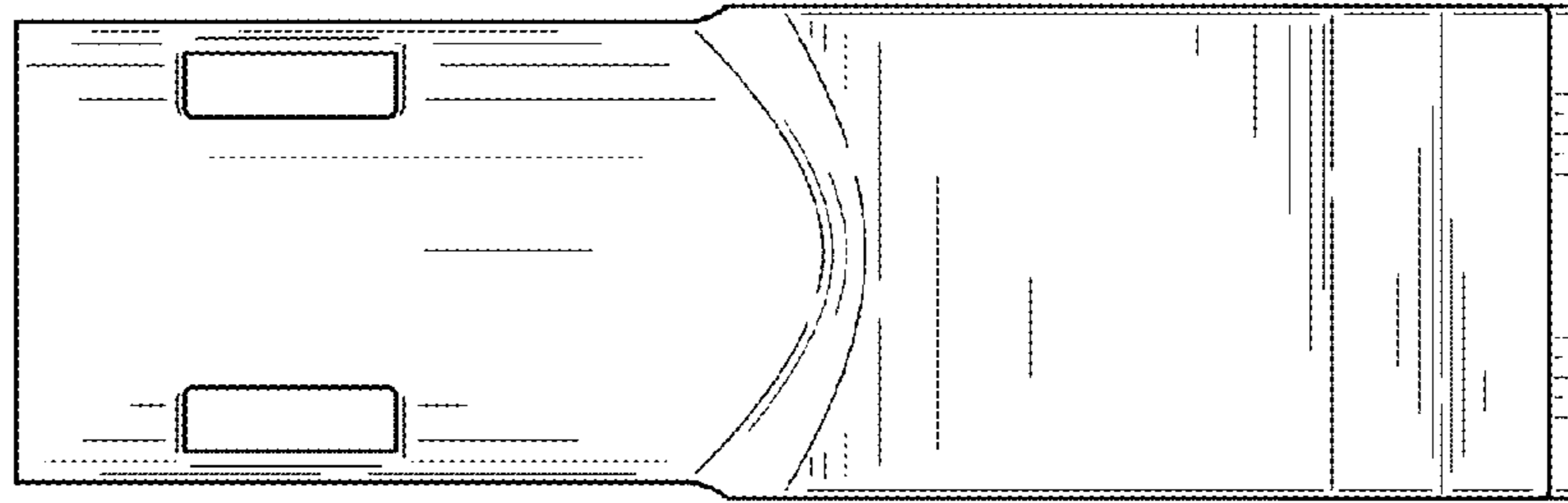


FIG. 15

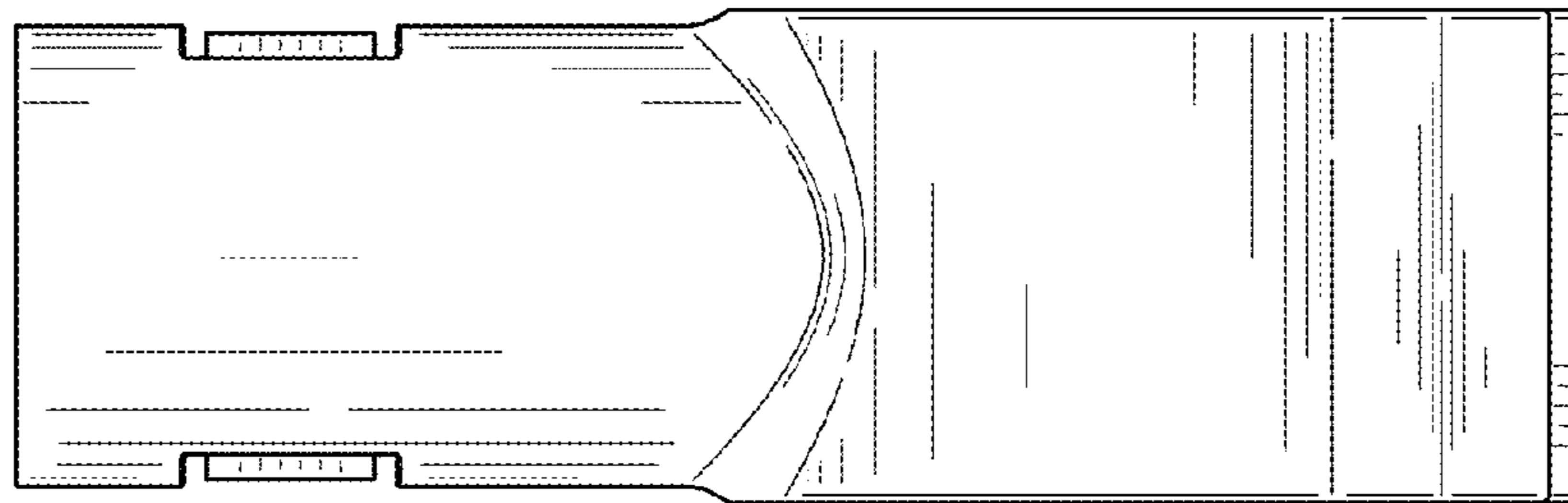


FIG. 16

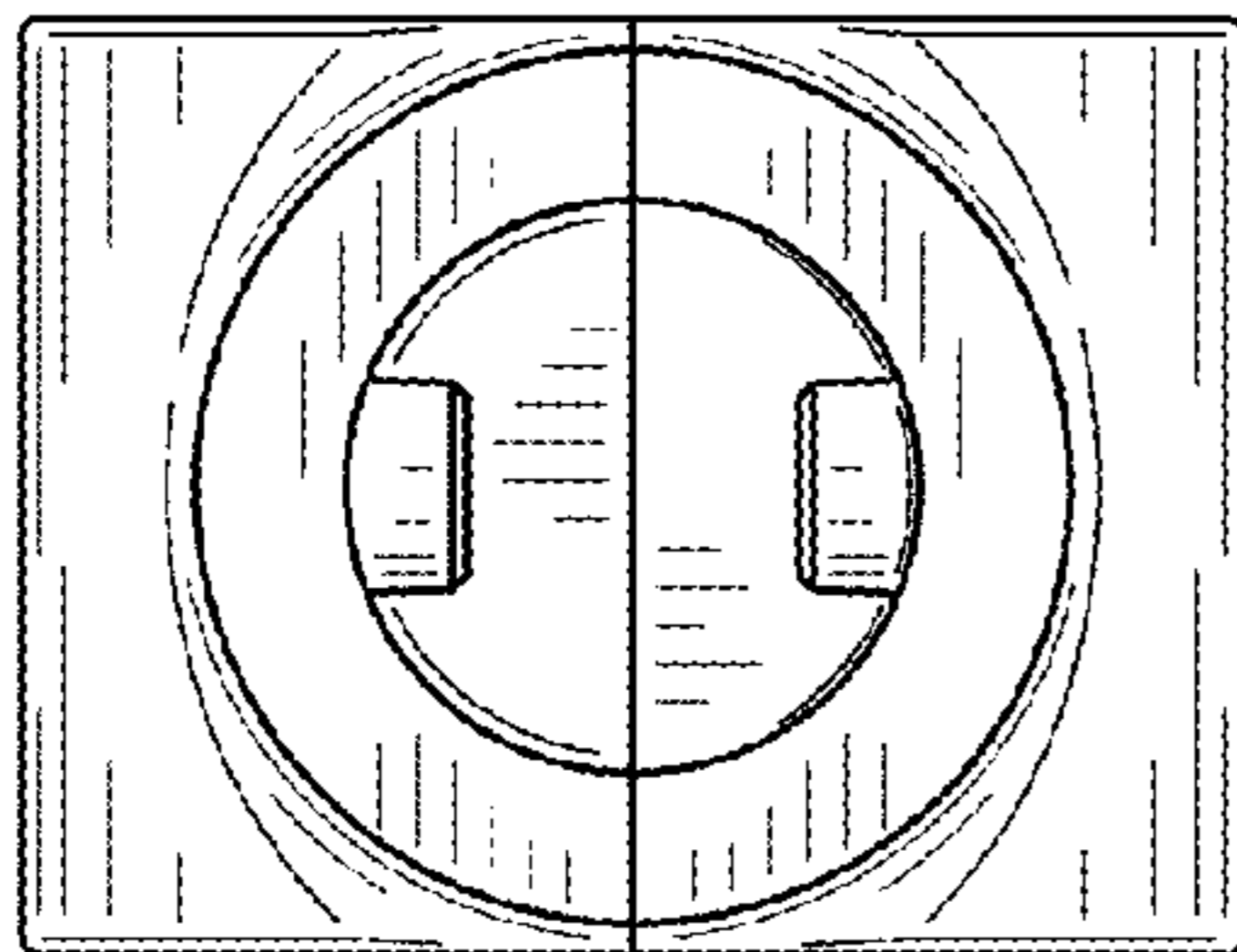


FIG. 17

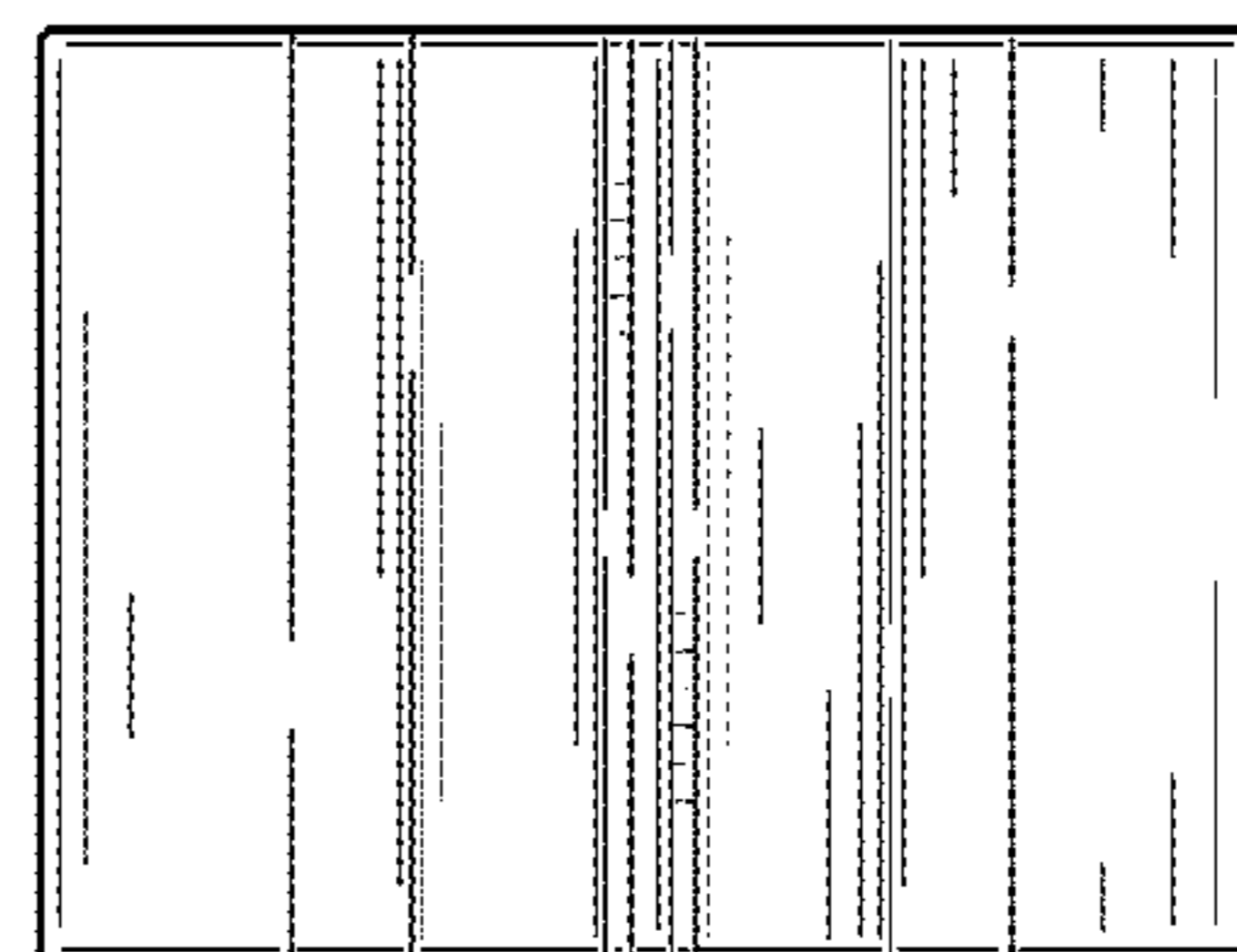


FIG. 18

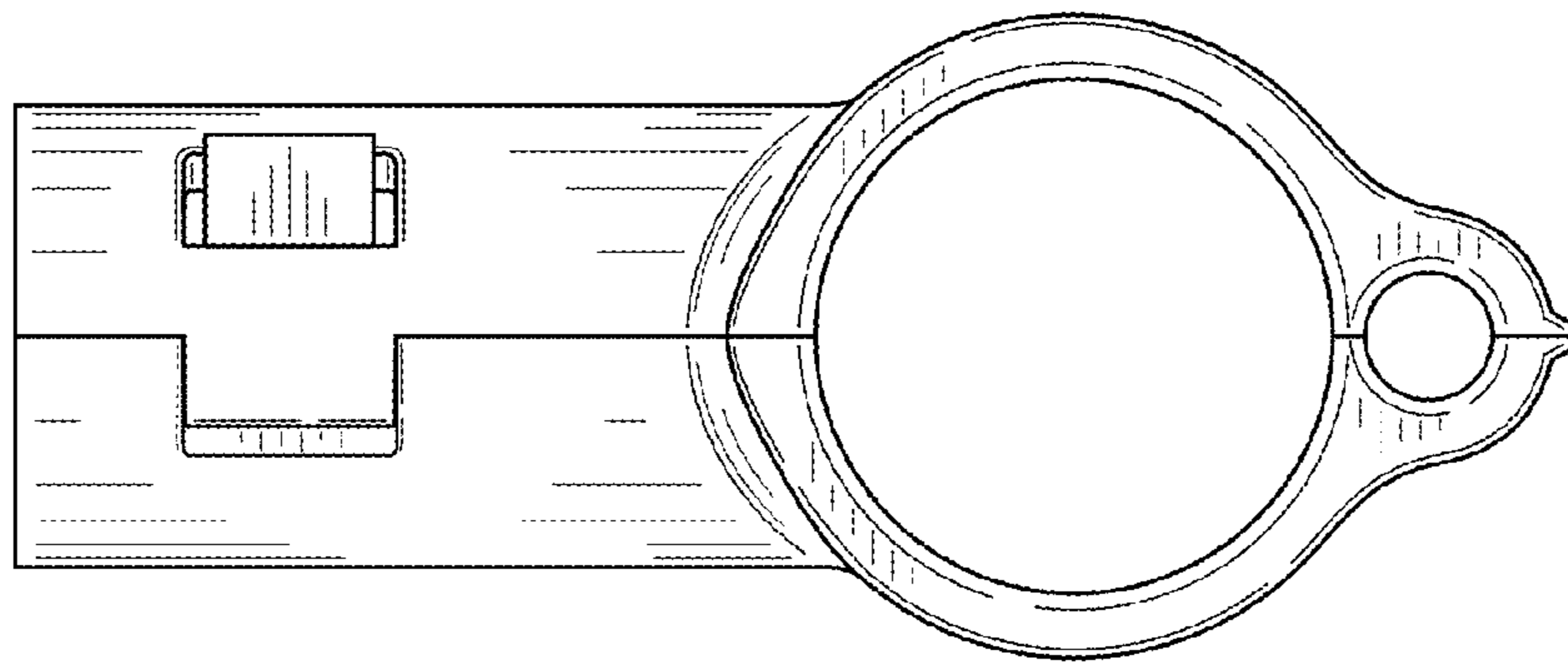


FIG. 19

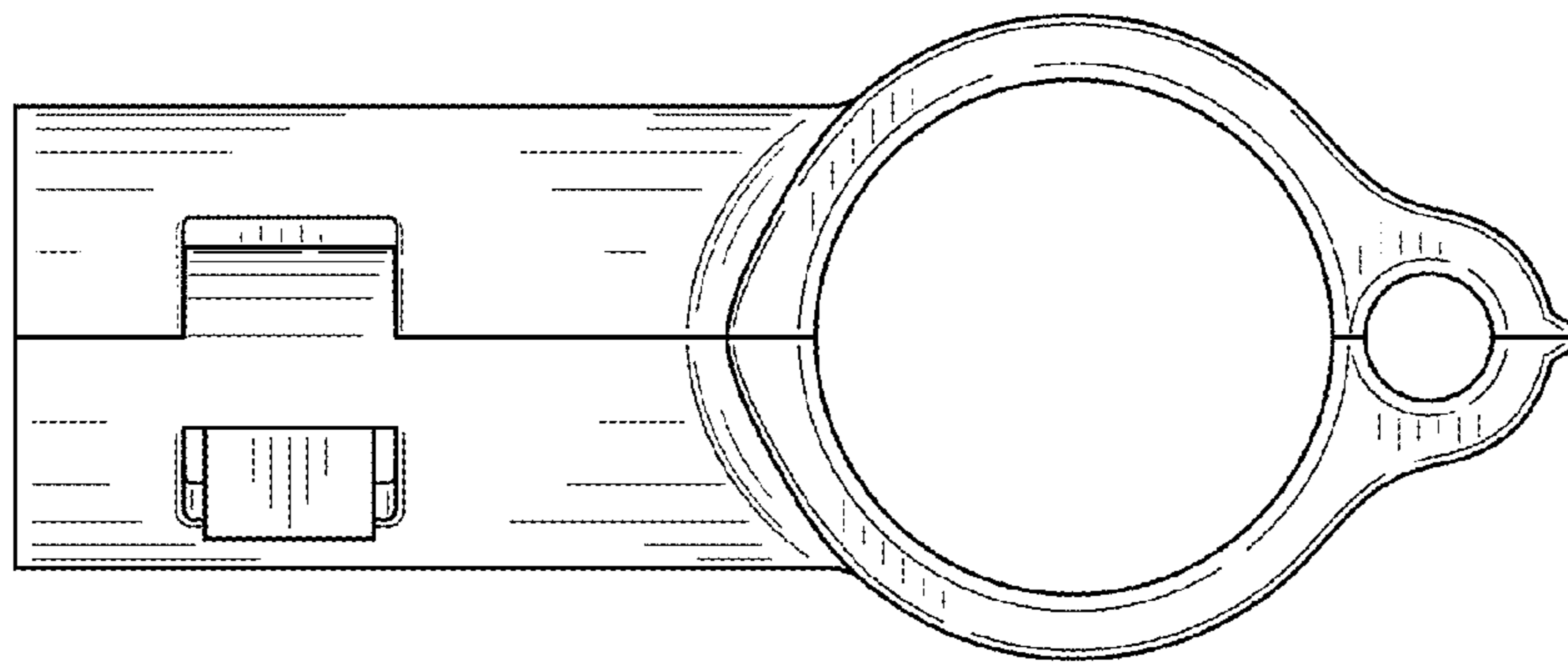


FIG. 20