



US00D762462S

(12) **United States Design Patent**
Anderson

(10) **Patent No.:** **US D762,462 S**

(45) **Date of Patent:** **** *Aug. 2, 2016**

(54) **RAIL FOR A WINDOW COVERING**

(56) **References Cited**

(71) Applicant: **Hunter Douglas Inc.**, Pearl River, NY
(US)

U.S. PATENT DOCUMENTS

(72) Inventor: **Richard Anderson**, Whitesville, KY
(US)

D194,585	S	*	2/1963	Waring et al.	D25/121
D231,326	S	*	4/1974	Miki	D8/377
D271,812	S	*	12/1983	Markus	D25/48.3
D346,663	S	*	5/1994	McKnight	D25/55
8,469,078	B2	*	6/2013	Drew	160/196.1
8,584,728	B2	*	11/2013	Truett et al.	160/38
2005/0133777	A1	*	6/2005	Forbis et al.	256/59
2008/0265232	A1	*	10/2008	Terrels et al.	256/65.04

(73) Assignee: **Hunter Douglas Inc.**, Pearl River, NY
(US)

* cited by examiner

(*) Notice: This patent is subject to a terminal disclaimer.

Primary Examiner — Doris Clark

(**) Term: **14 Years**

(74) *Attorney, Agent, or Firm* — Camoriano and Associates

(21) Appl. No.: **29/459,555**

(57) **CLAIM**

(22) Filed: **Jul. 1, 2013**

The ornamental design for a rail for a window covering, as shown and described.

(51) **LOC (10) Cl.** **08-05**

DESCRIPTION

(52) **U.S. Cl.**

USPC **D8/377; D25/55; D25/121**

FIG. 1 is a perspective view of a portion of a rail for a window covering;

(58) **Field of Classification Search**

USPC **D25/55, 121; 160/32, 38, 196.1;**

FIG. 2 is a left end view thereof, which is the same as the right end view thereof;

D8/373, 380, 354, 363, 377

FIG. 3 is a front view thereof, which is the same as the rear view thereof;

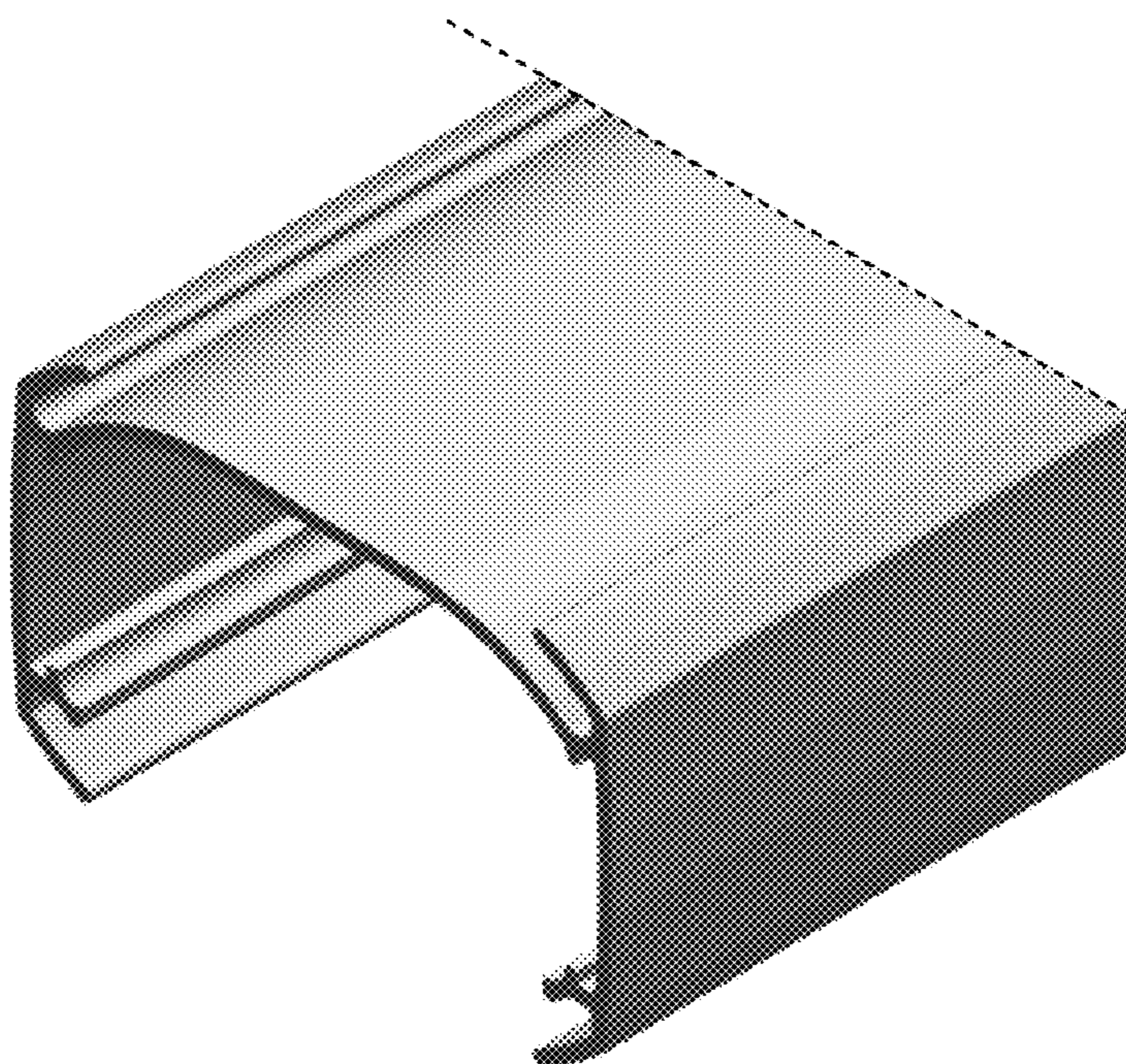
See application file for complete search history.

FIG. 4 is a top view thereof; and,

FIG. 5 is a bottom view thereof.

The broken lines form no part of the claimed design but indicate that the actual rail may extend for a greater length than the portion of the rail that is being claimed.

1 Claim, 1 Drawing Sheet



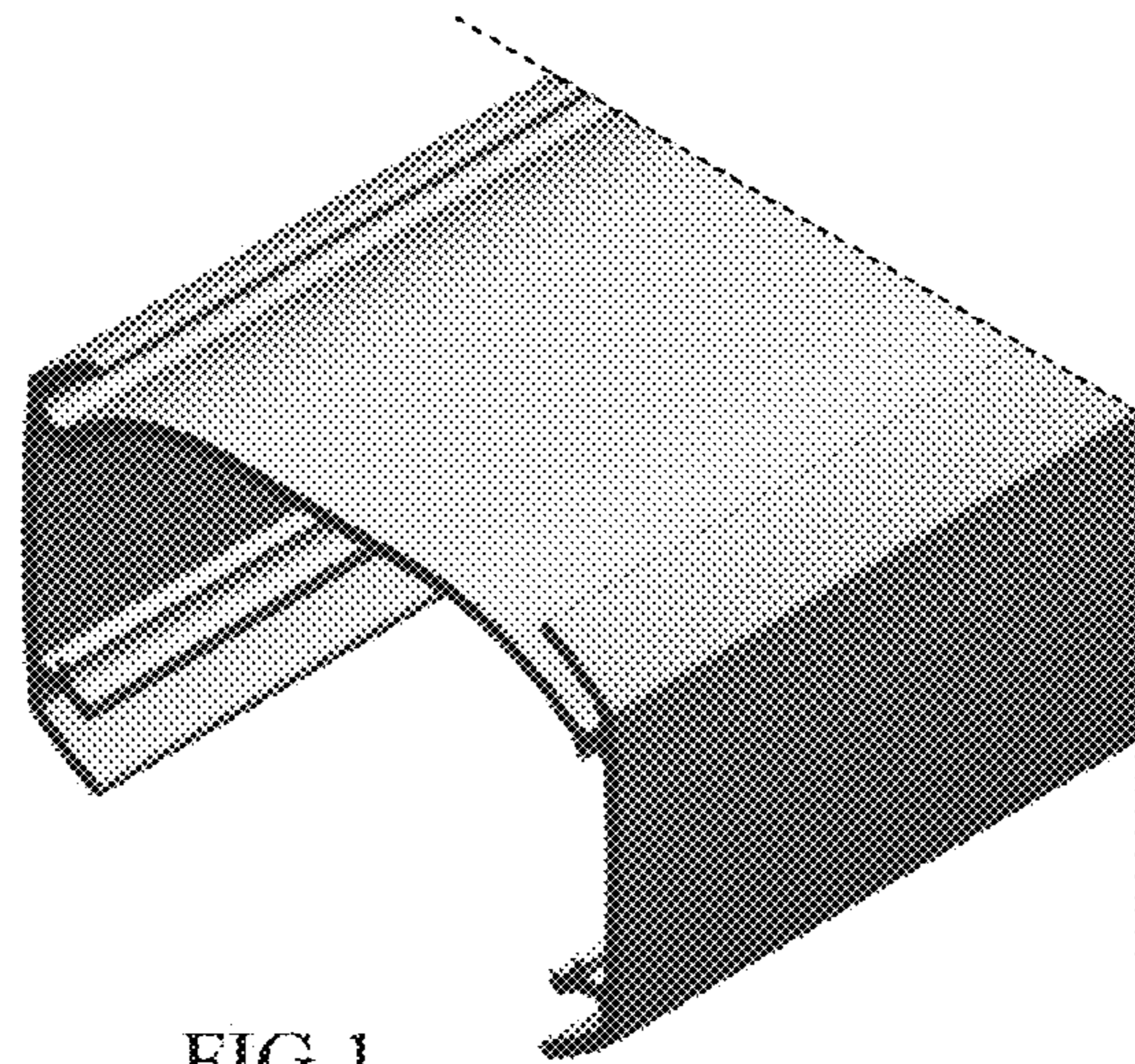


FIG 1

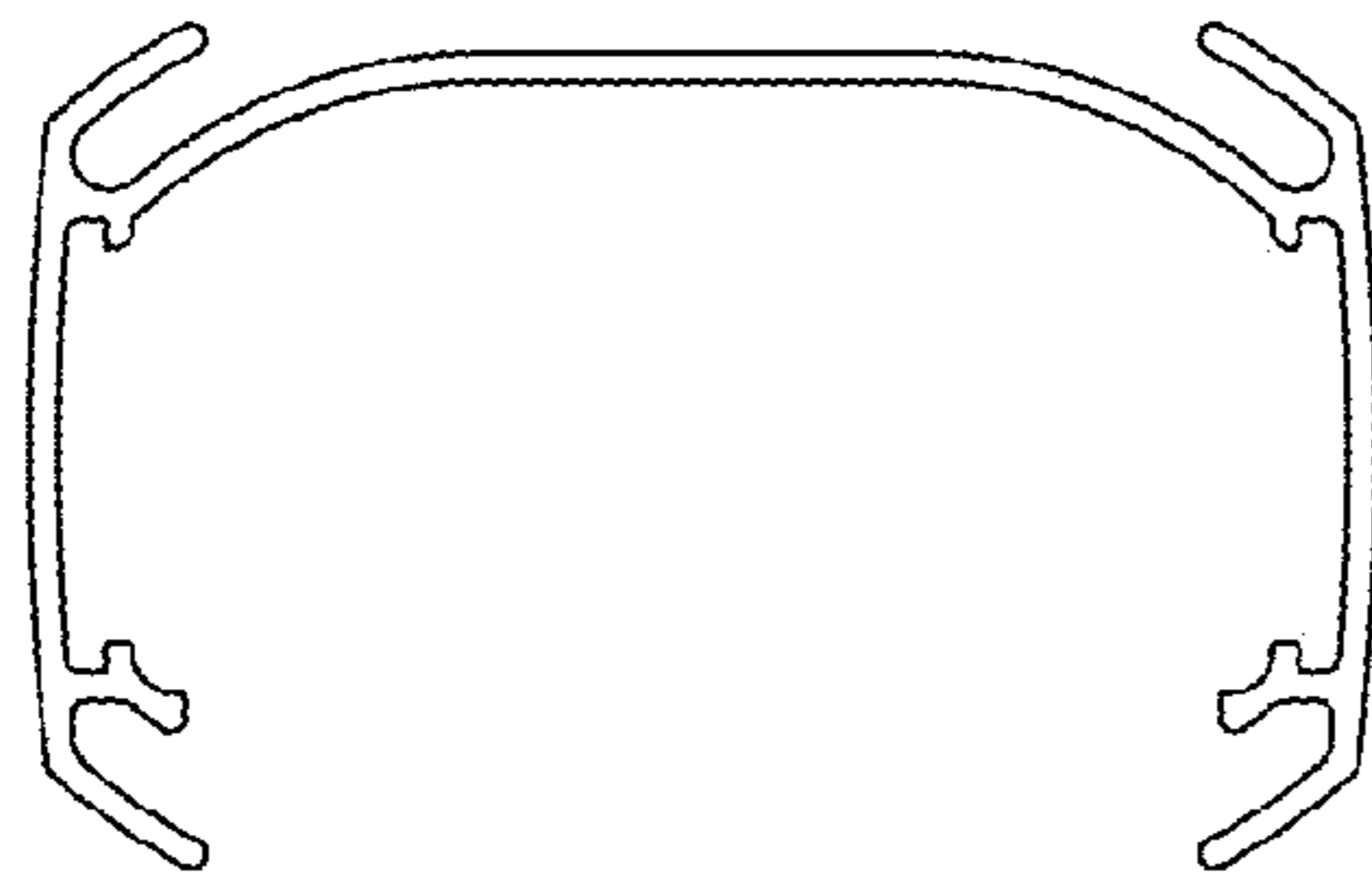


FIG 2

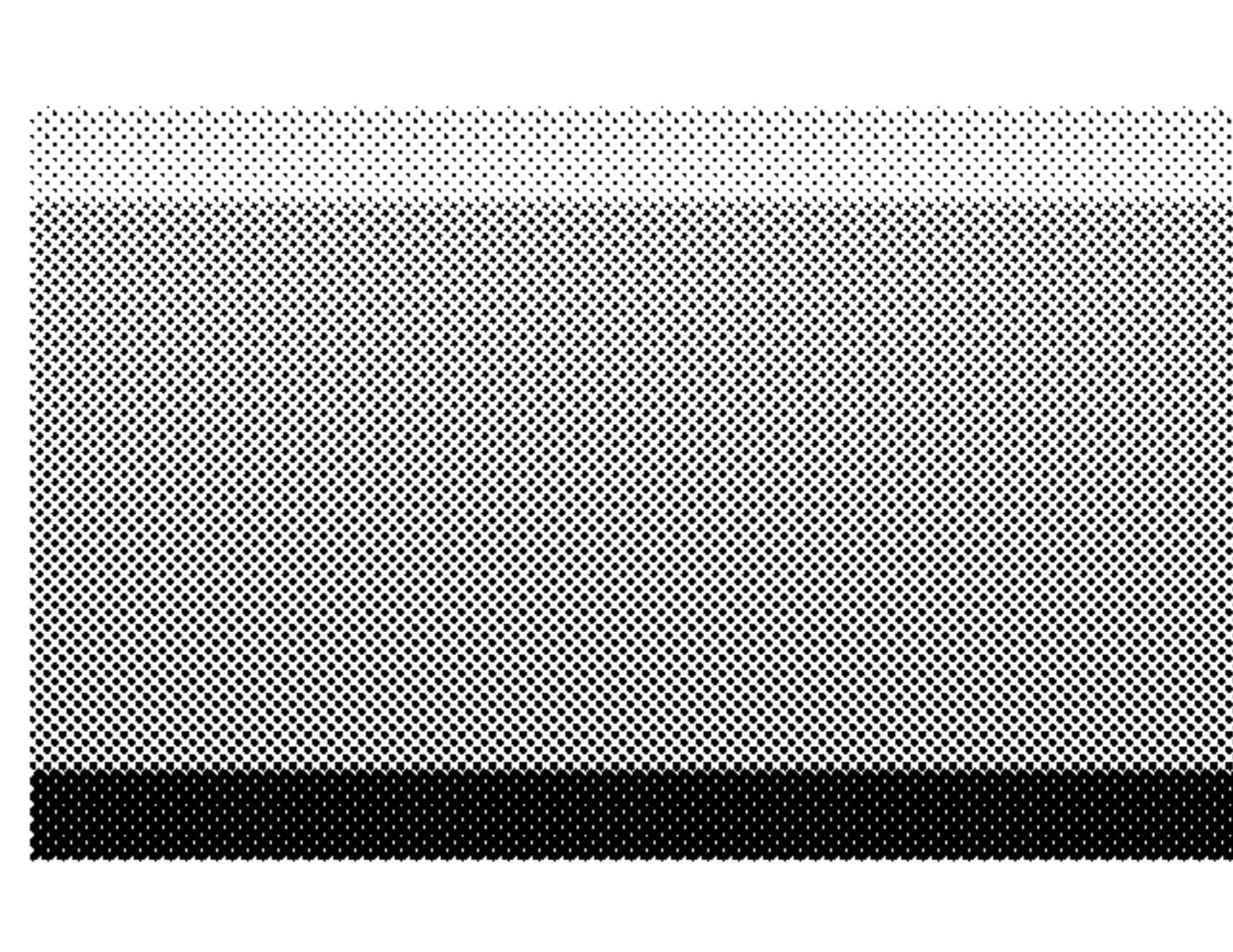


FIG 3

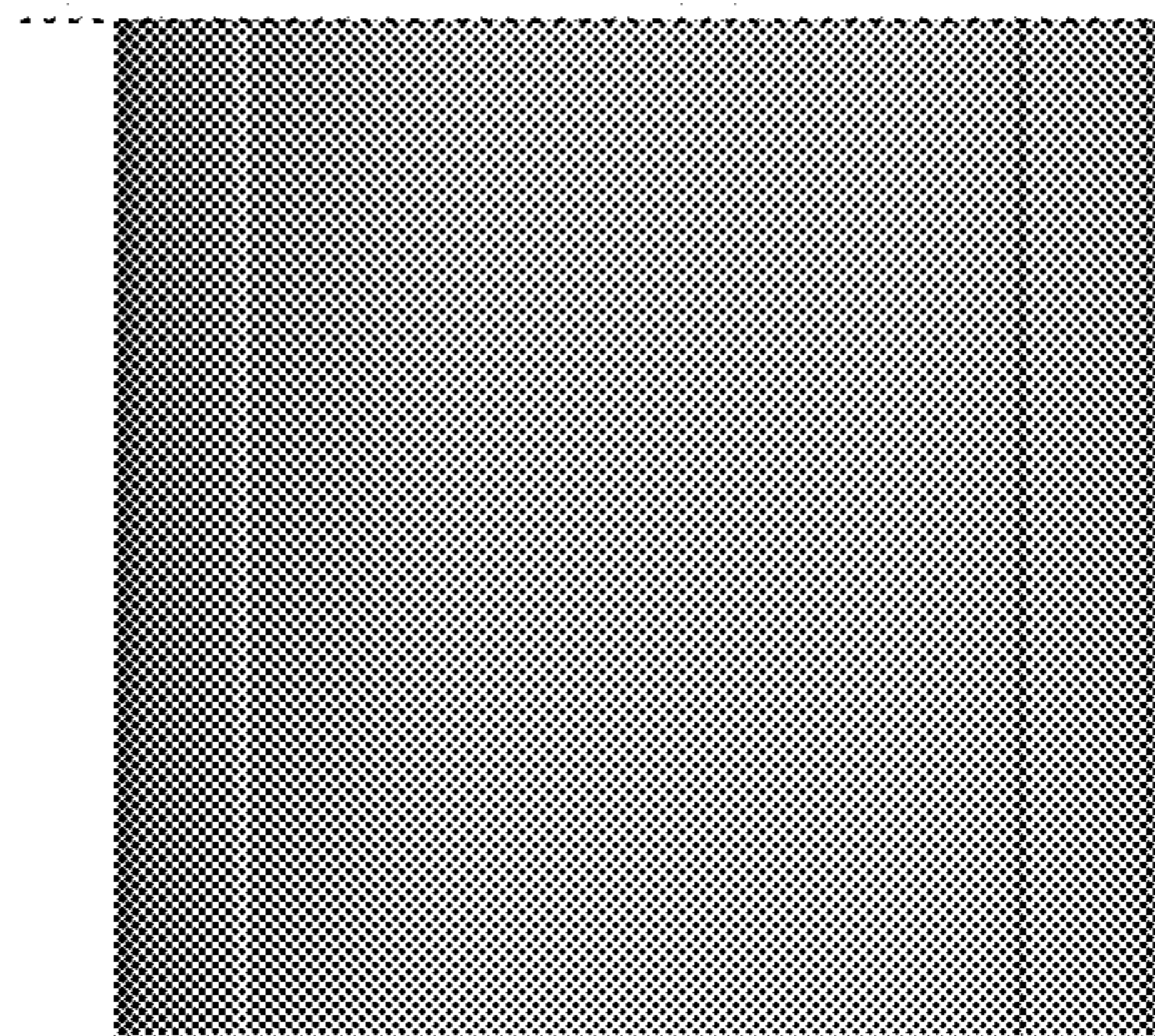


FIG 4

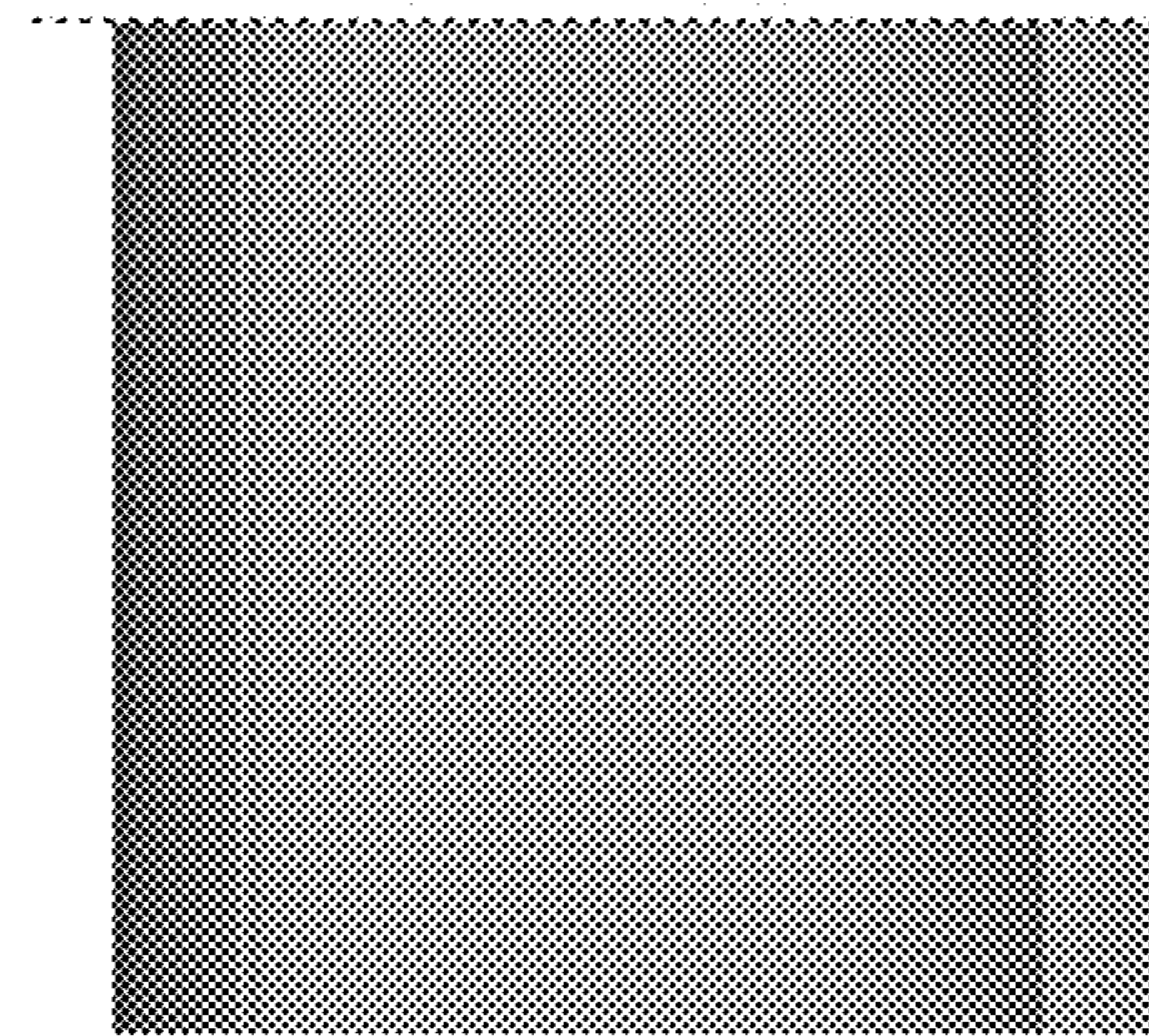


FIG 5