



US00D762461S

(12) **United States Design Patent**
Kirkham

(10) **Patent No.:** **US D762,461 S**
(45) **Date of Patent:** **** Aug. 2, 2016**

- (54) **MULTI-USE CLEAT**
- (71) Applicant: **Jeffrey B. Kirkham**, Sandy, UT (US)
- (72) Inventor: **Jeffrey B. Kirkham**, Sandy, UT (US)
- (**) Term: **14 Years**
- (21) Appl. No.: **29/518,153**
- (22) Filed: **Feb. 20, 2015**

5,314,456 A	5/1994	Cohen	
5,665,109 A	9/1997	Yoon	
5,990,402 A	11/1999	Epstein	
6,149,618 A	11/2000	Sato	
6,884,254 B2	4/2005	Brooks	
6,899,720 B1	5/2005	McMillan	
7,353,766 B1 *	4/2008	Wiese	B63B 21/045 114/218
7,530,990 B2	5/2009	Perriello	
D604,589 S *	11/2009	Johansson	D8/356
D657,231 S *	4/2012	Springer	D14/239
D680,851 S *	4/2013	Lo	D8/356
D685,625 S *	7/2013	Diekman	D8/356
D701,109 S *	3/2014	Kelleghan	D8/356
8,661,624 B1 *	3/2014	Bracewell	B63B 21/08 24/129 B
D719,084 S *	12/2014	Kruse	D13/102

Related U.S. Application Data

- (63) Continuation of application No. 12/958,913, filed on Dec. 2, 2010, now Pat. No. 9,168,044, which is a continuation-in-part of application No. 12/642,247, filed on Dec. 18, 2009, now abandoned.
- (51) **LOC (10) Cl.** **08-05**
- (52) **U.S. Cl.**
USPC **D8/356**
- (58) **Field of Classification Search**
None
See application file for complete search history.

(56) **References Cited**

U.S. PATENT DOCUMENTS

1,583,343 A	5/1926	Duerden	
D81,983 S *	9/1930	Kinovitz	223/92
2,387,428 A	10/1945	Brothers	
2,497,596 A	2/1950	Frieder	
2,518,921 A	8/1950	Middaugh	
2,968,117 A	1/1961	Trombly	
3,409,014 A	11/1968	Shannon	
D218,515 S	8/1970	Tomaiuolo	
3,675,276 A *	7/1972	Nuse	A01K 91/04 24/129 B
D233,312 S	10/1974	Lock	
3,905,322 A *	9/1975	Peterman	B63B 21/045 114/218
3,910,280 A	10/1975	Talonn	
4,149,540 A	4/1979	Hasslinger	
D289,373 S *	4/1987	Kimball	24/130
4,911,162 A	3/1990	Wolff	
4,964,419 A	10/1990	Karriker	
5,282,825 A	2/1994	Muck	

(Continued)

OTHER PUBLICATIONS

Author Unknown, Combat Application Tourniquet, retrieved 2008, www.combattourniquet.com.index.php.

Primary Examiner — Cynthia Underwood

(74) *Attorney, Agent, or Firm* — Workman Nydegger

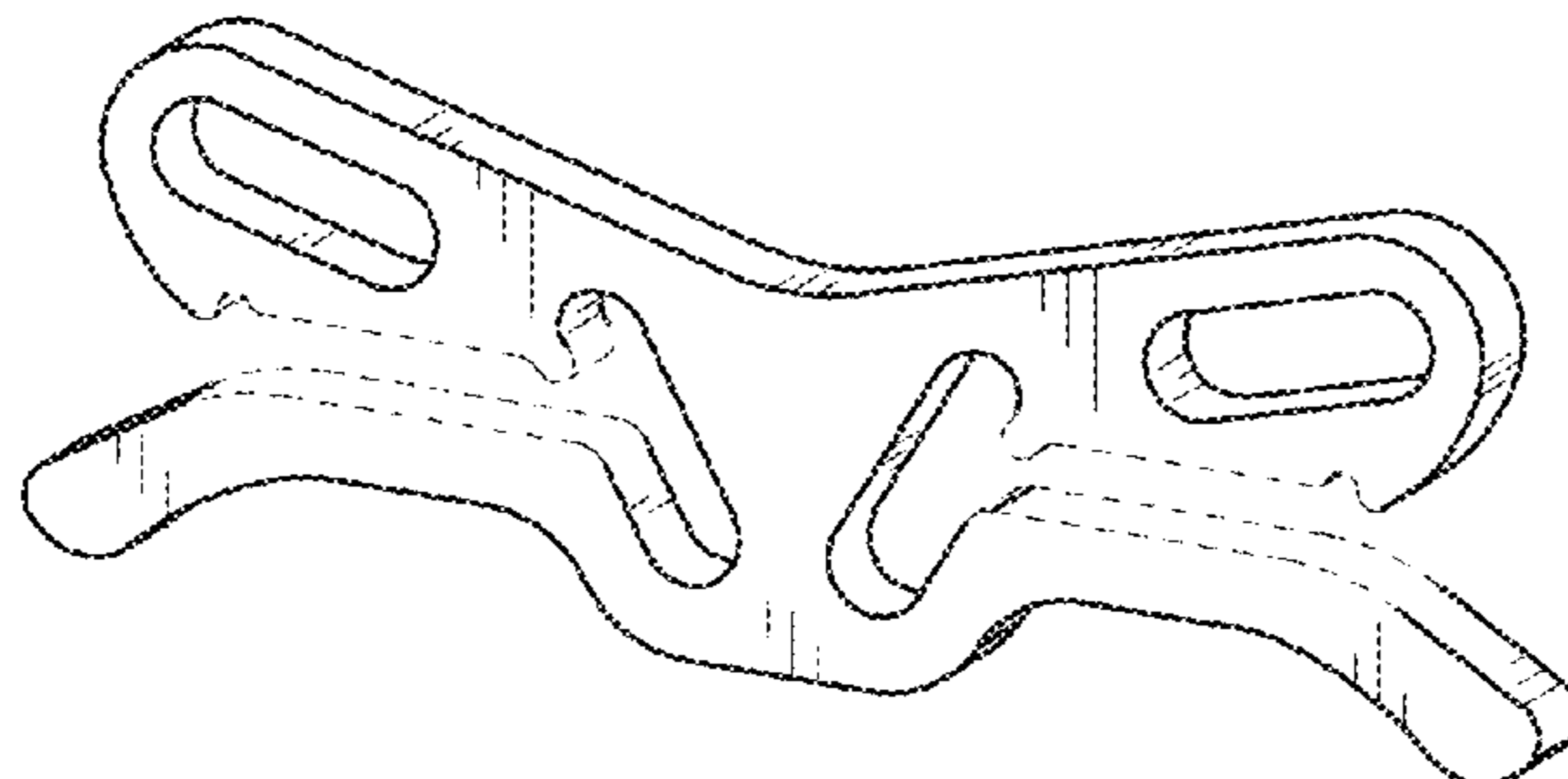
(57) **CLAIM**

The ornamental design for a multi-use cleat, as shown and described.

DESCRIPTION

FIG. 1 is a front elevational view of a multi-use cleat showing my new design;
 FIG. 2 is rear elevational view thereof, the rear view being a mirror image of the front view;
 FIG. 3 is an elevated right side view thereof;
 FIG. 4 is an elevated left side view thereof, the left view being a mirror image of the right view;
 FIG. 5 is a top plan view thereof;
 FIG. 6 is a bottom plan view thereof; and,
 FIG. 7 is an elevated top, right facing perspective view thereof.
 The broken lines represent portions of the structure that forms no part of the claim.

1 Claim, 1 Drawing Sheet



(56)

References Cited

U.S. PATENT DOCUMENTS

D733,534 S *	7/2015	Altrichter	D8/356	2005/0273134 A1	12/2005	Esposito
D735,632 S *	8/2015	Beidler	D12/223	2006/0135969 A1	6/2006	Assia
D737,502 S *	8/2015	Kirkham	D26/143	2007/0011850 A1	1/2007	Downing
D747,955 S *	1/2016	Franco	D8/354	2007/0135841 A1	6/2007	Dreyfuss
D753,985 S *	4/2016	Nelson	D8/356	2007/0179531 A1	8/2007	Thornes
D756,201 S *	5/2016	VanDeusen	D15/5	2007/0299467 A1	12/2007	Arias
2003/0116984 A1	6/2003	Herman		2008/0119848 A1	5/2008	Shalaby
2004/0084331 A1	5/2004	Roby		2009/0076546 A1	3/2009	Ashley
2005/0113866 A1	5/2005	Heinz		2009/0241297 A1	10/2009	Sorensen
				2010/0057120 A1	3/2010	Kirkham
				2010/0160957 A1	6/2010	Kirkham
				2011/0126382 A1	6/2011	Kirkham

* cited by examiner

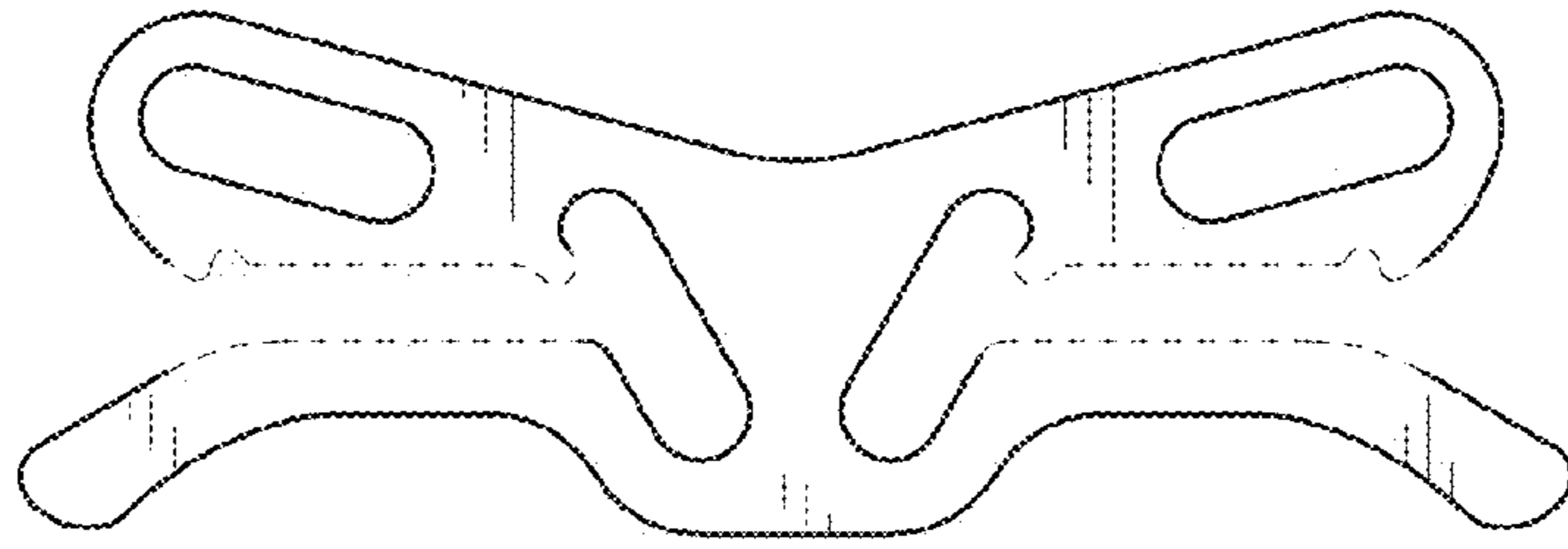


FIG. 1

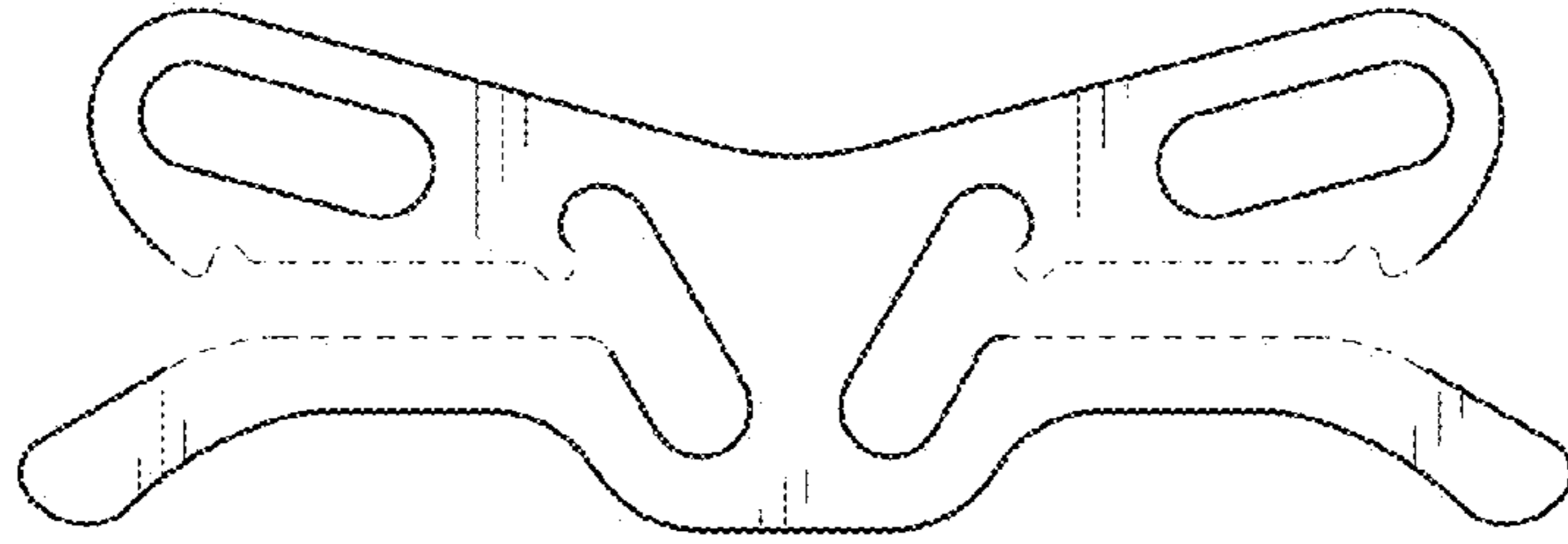


FIG. 2



FIG. 3

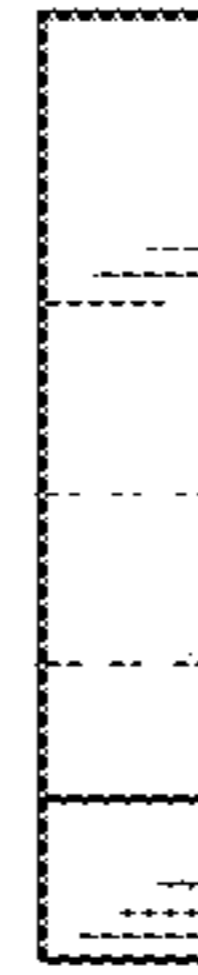


FIG. 4



FIG. 5



FIG. 6

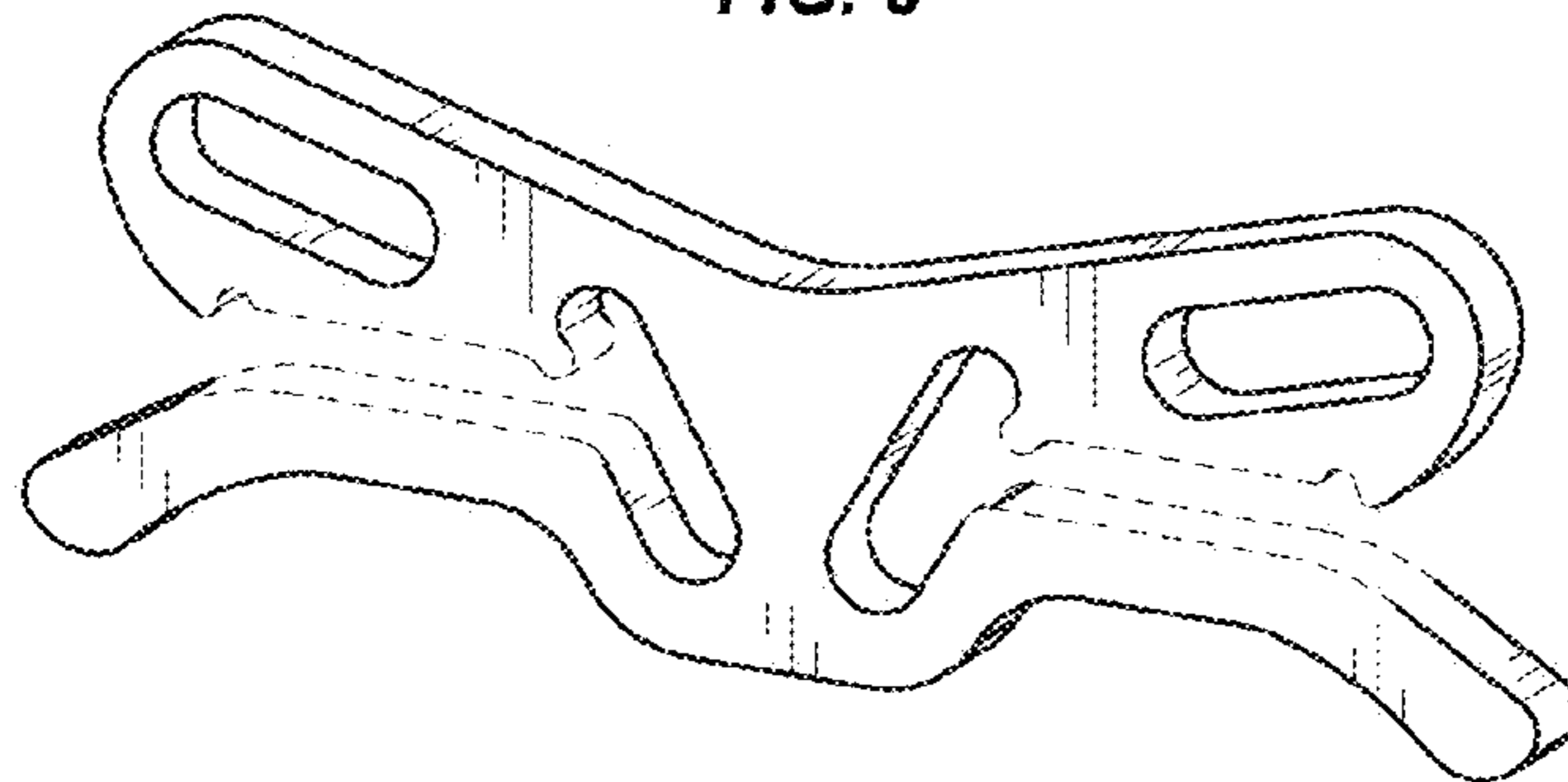


FIG. 7