



US00D762460S

(12) **United States Design Patent**
Gobbi

(10) **Patent No.:** **US D762,460 S**

(45) **Date of Patent:** **** Aug. 2, 2016**

(54) **MOUNTAIN SPORT EQUIPMENT**
(71) Applicant: **GRIVEL S.r.l.**, Courmayeur (IT)
(72) Inventor: **Gioachino Gobbi**, Courmayeur (IT)
(**) Term: **14 Years**

D655,999	S	*	3/2012	Kelleghan	D8/356
D684,452	S	*	6/2013	Petzl	D8/356
D702,110	S	*	4/2014	Gobbi	D8/356
D708,046	S	*	7/2014	Petzl	D8/356
D735,559	S	*	8/2015	Liang	D8/356
D740,645	S	*	10/2015	Koreishi	D8/367
2008/0209700	A1	*	9/2008	Goldberg	A44C 5/2033 24/599.6

(21) Appl. No.: **29/508,090**
(22) Filed: **Nov. 3, 2014**

* cited by examiner

Primary Examiner — Cynthia Underwood

(30) **Foreign Application Priority Data**

May 2, 2014 (EM) 002457499

(51) **LOC (10) Cl.** **08-05**

(52) **U.S. Cl.**
USPC **D8/356**

(58) **Field of Classification Search**
USPC D8/356, 354, 349, 367
CPC F16B 1/00; Y10T 24/45199
See application file for complete search history.

(57) **CLAIM**

The ornamental design for mountain sport equipment, as shown and described.

DESCRIPTION

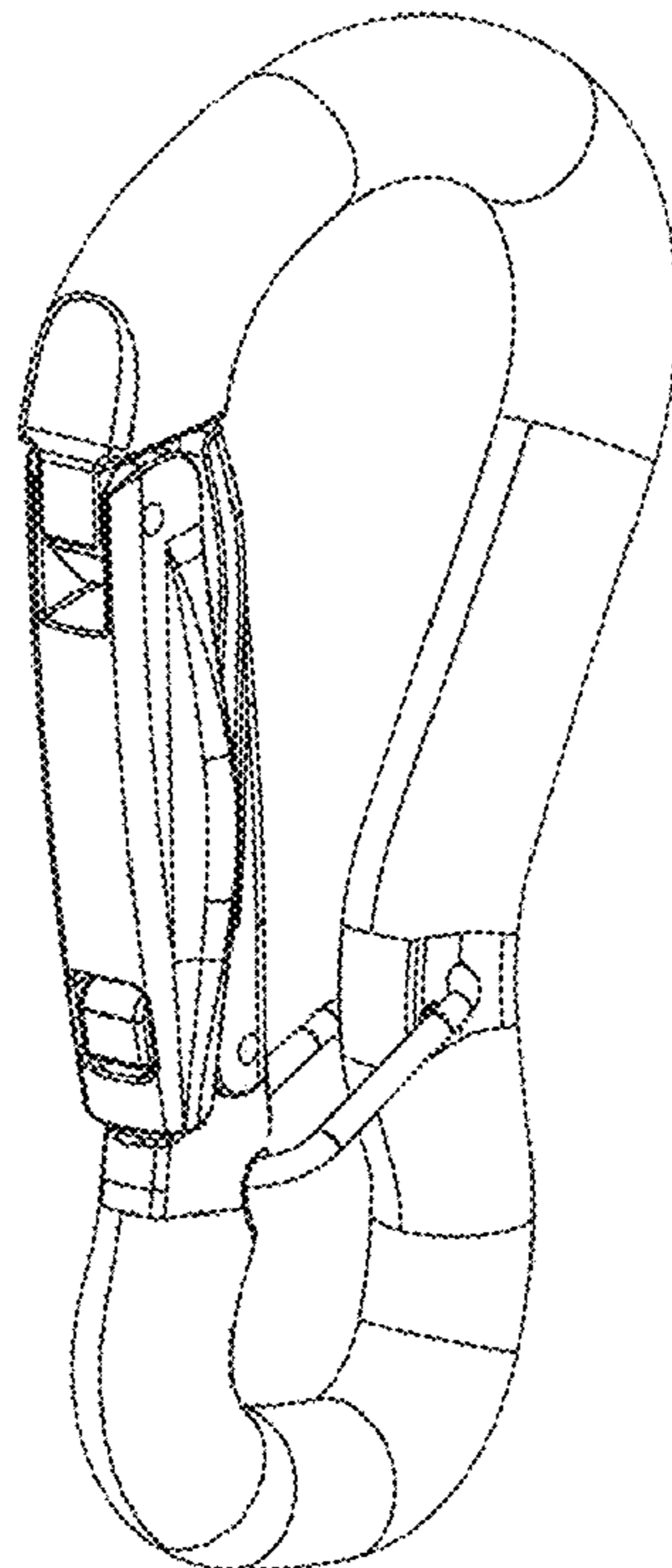
FIG. 1 is a first perspective front view of mountain sport equipment according to the present invention;
FIG. 2 is a first lateral view of the mountain sport equipment of FIG. 1;
FIG. 3 is a second lateral view of the mountain sport equipment of FIG. 1;
FIG. 4 is a front view of the mountain sport equipment of FIG. 1;
FIG. 5 is a back view of the mountain sport equipment of FIG. 1;
FIG. 6 is a top view of the mountain sport equipment of FIG. 1; and,
FIG. 7 is a bottom view of the mountain sport equipment of FIG. 1.

(56) **References Cited**

U.S. PATENT DOCUMENTS

D282,904	S	*	3/1986	Faidide	D8/367
D375,252	S	*	11/1996	Serra Fabregas	D8/356
5,937,490	A	*	8/1999	Mihailovic	F16B 45/02 24/599.4
D468,997	S	*	1/2003	Chang	D8/356
D528,406	S	*	9/2006	Kramer	D8/356

1 Claim, 7 Drawing Sheets



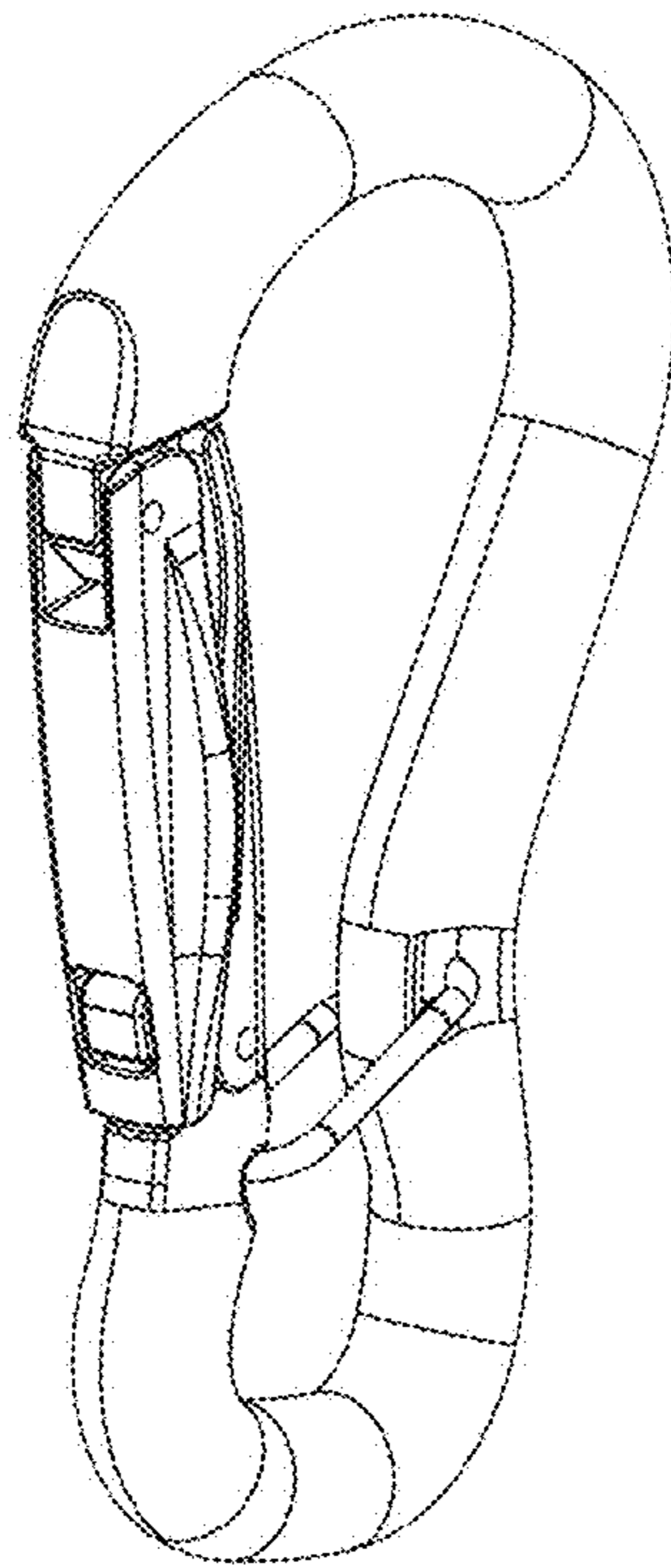


Fig. 1

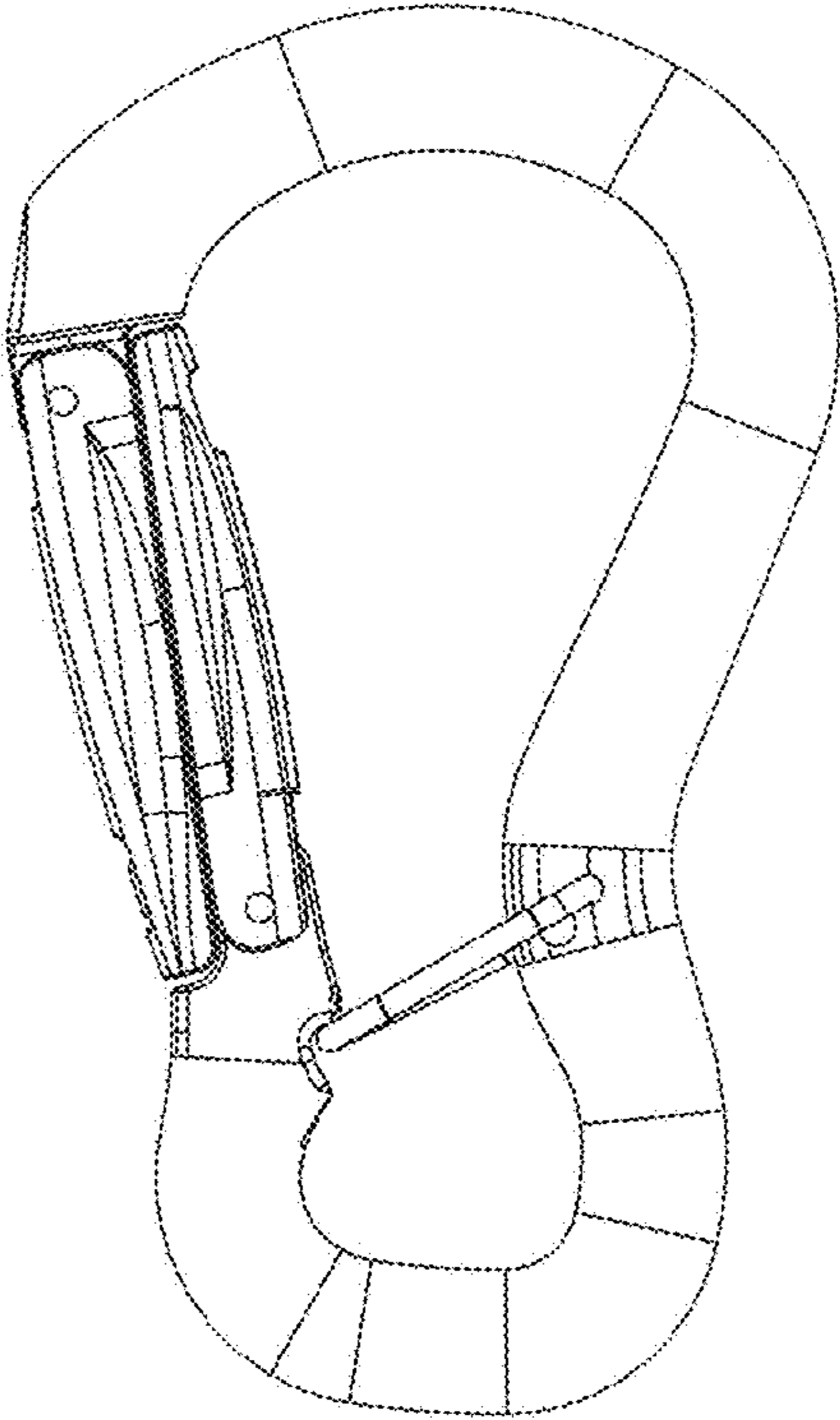


Fig. 2

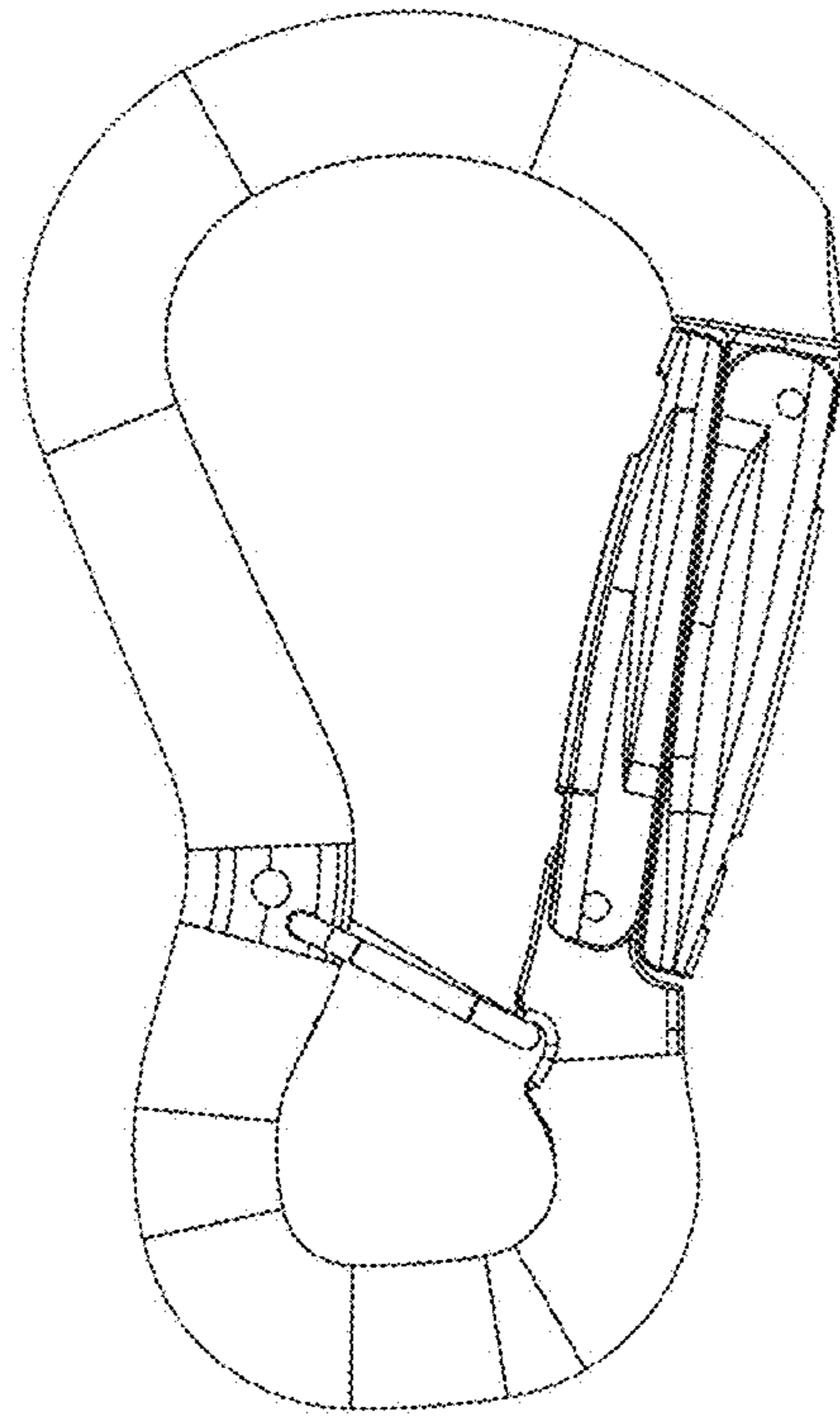


Fig. 3



Fig. 4

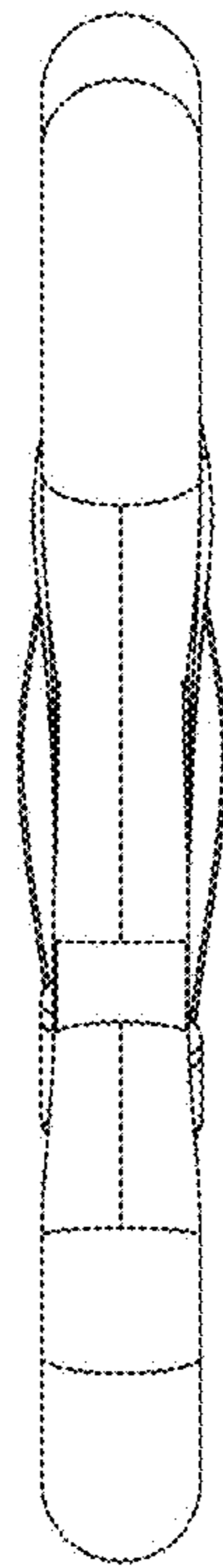


Fig. 5

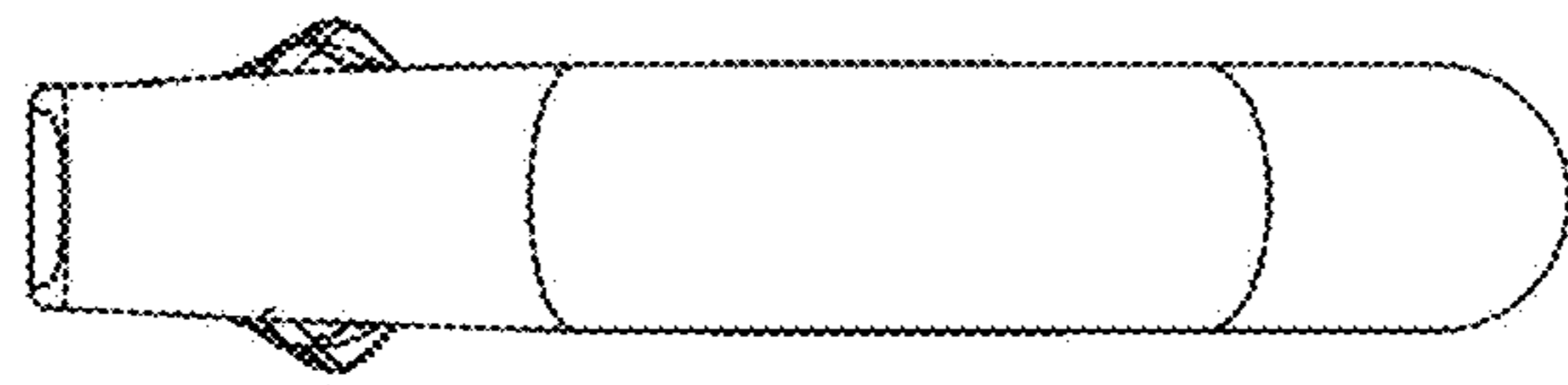


Fig. 6

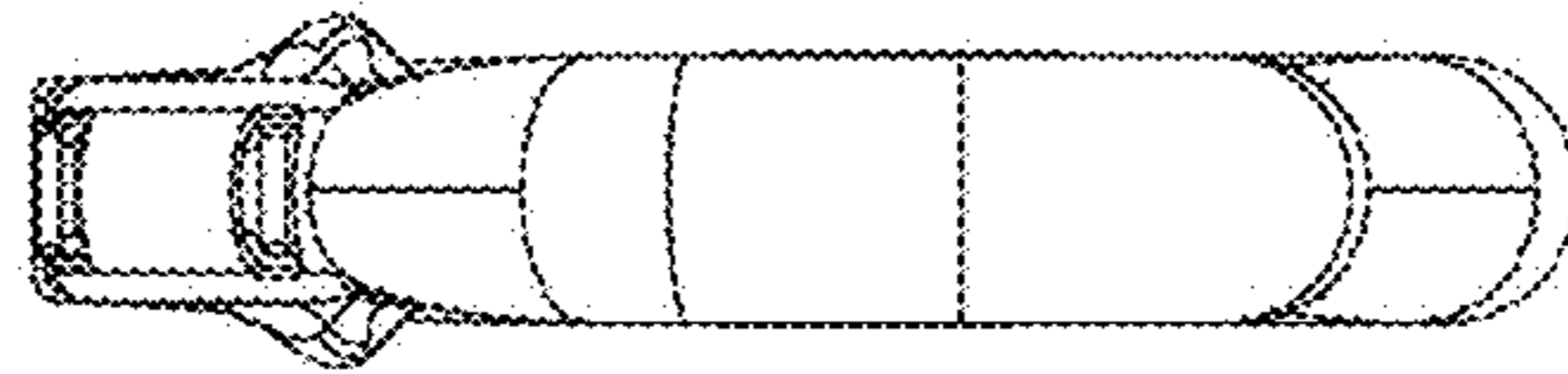


Fig. 7