



US00D762459S

(12) **United States Design Patent**
Frydlewski et al.

(10) **Patent No.:** **US D762,459 S**
(45) **Date of Patent:** **** Aug. 2, 2016**

(54) **FASTENING DEVICE**
(71) Applicant: **HICKIES, INC.**, Brooklyn, NY (US)
(72) Inventors: **Gaston Frydlewski**, Brooklyn, NY (US); **Maria Raquel Waingarten**, Brooklyn, NY (US); **David Reeb**, Sykesville, MD (US)
(73) Assignee: **Hickies, Inc.**, Brooklyn, NY (US)

D89,286 S 2/1933 Rosenthal
1,898,225 A 2/1933 Szabo
1,934,455 A 11/1933 Staude et al.
1,945,932 A 2/1934 Caley
1,966,135 A 7/1934 Reh
2,264,644 A 12/1941 Santangelo

(Continued)

FOREIGN PATENT DOCUMENTS

BR 6900021 U 4/1991
CN 1036129 A 10/1989

(Continued)

OTHER PUBLICATIONS

“Shop”, 2014, 2 pages, accessed from the internet on Oct. 14, 2014 at <<http://laceout.com/shop/>>.

(Continued)

Primary Examiner — John Windmuller

(74) *Attorney, Agent, or Firm* — Venable LLP; Steven J. Schwarz; Trent B. Ostler

(57) **CLAIM**

The ornamental design for a fastening device, as shown and described.

DESCRIPTION

FIG. 1 is a top perspective view of a first embodiment of the invention.

FIG. 2 is a top plan view of FIG. 1.

FIG. 3 is a front elevation view of FIG. 1.

FIG. 4 is a right side elevation view of FIG. 1.

FIG. 5 is a left side elevation view of FIG. 1; and,

FIG. 6 is a bottom plan view of FIG. 1.

The broken lines in the figures depict portions of the fastening device that form no part of the claimed design. The dot-dash lines represent the boundary of the claim.

1 Claim, 3 Drawing Sheets

(**) Term: **14 Years**

(21) Appl. No.: **29/468,543**

(22) Filed: **Oct. 1, 2013**

(51) **LOC (10) Cl.** **08-05**

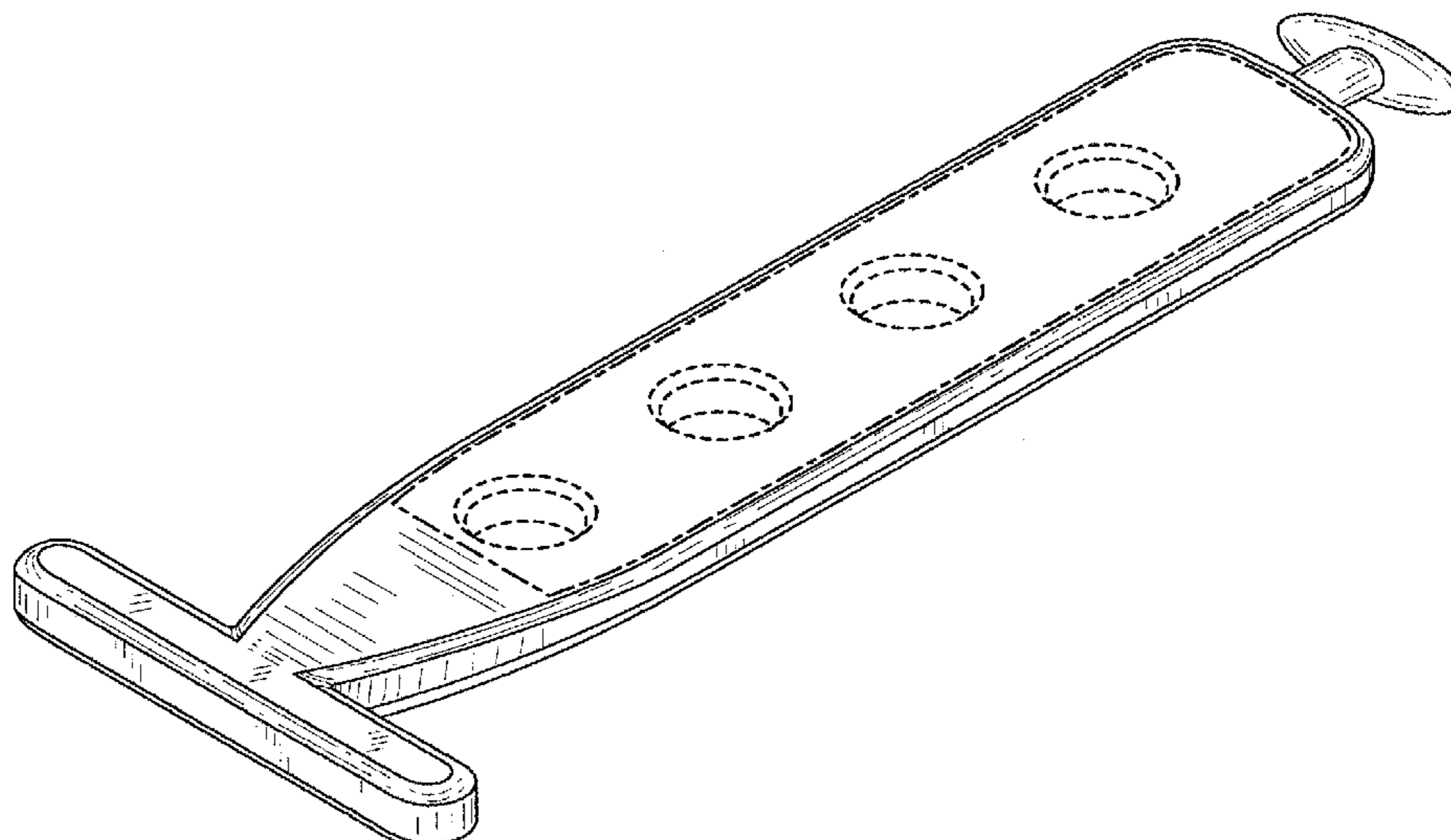
(52) **U.S. Cl.**
USPC **D8/356**

(58) **Field of Classification Search**
USPC D8/354, 356, 371, 394–396; D19/65, D19/86; D24/128; 248/74.2, 215, 227.1, 49, 248/300, 301, 316.7, 51, 489; 24/570, 3.12; D32/61; D11/78.1
See application file for complete search history.

(56) **References Cited**

U.S. PATENT DOCUMENTS

146,913 A 1/1874 Keith
315,819 A 4/1885 Naylor
562,114 A 6/1896 Benford
565,884 A 8/1896 Emmons
705,562 A 7/1902 Chipley
715,599 A 12/1902 Pitts
830,902 A 9/1906 Keller
976,826 A * 11/1910 Obele 242/405.1
1,055,118 A 3/1913 Ziegler
1,184,647 A 5/1916 Holloway
1,458,088 A 6/1923 Unnold
1,595,630 A 8/1926 Stockton
1,678,241 A 7/1928 Benz
1,685,489 A 9/1928 Jansen



(56)

References Cited

FOREIGN PATENT DOCUMENTS

U.S. PATENT DOCUMENTS

2,289,225 A 7/1942 Tonai
 2,438,143 A 3/1948 Brown
 2,689,991 A 9/1954 Fedankiw et al.
 D177,723 S 5/1956 Doherty
 D179,614 S 1/1957 Shafer
 2,871,537 A 2/1959 Hickerson
 3,193,950 A 7/1965 Liou
 3,382,546 A 5/1968 Palmay
 3,701,572 A 10/1972 Velasquez
 3,731,350 A 5/1973 Diebold
 4,112,988 A 9/1978 Nelson
 4,144,621 A 3/1979 Green
 4,296,515 A 10/1981 Hauser
 4,486,965 A 12/1984 Friton
 5,214,826 A 6/1993 Fortune
 5,230,171 A 7/1993 Cardaropoli
 5,239,732 A 8/1993 Steven
 5,295,315 A 3/1994 Osawa et al.
 5,388,315 A 2/1995 Jones
 5,465,442 A 11/1995 Merse
 5,537,763 A 7/1996 Donnadiu et al.
 5,586,353 A 12/1996 Merse
 5,639,244 A 6/1997 Stricklin
 5,692,276 A 12/1997 Paston
 D393,411 S * 4/1998 Crowe D8/360.1
 5,737,811 A 4/1998 Rashid
 5,746,500 A 5/1998 Chien
 5,799,376 A 9/1998 Harsley
 5,822,844 A 10/1998 Mento
 D409,522 S 5/1999 Satterfield et al.
 D432,946 S 10/2000 Gorelick
 6,313,406 B1 11/2001 Gretz
 6,490,767 B2 12/2002 Haiduk
 6,513,210 B1 2/2003 Gonzalez
 6,634,063 B2 10/2003 Joseph
 6,701,589 B1 3/2004 Kliewer
 D488,374 S 4/2004 Hussaini et al.
 D492,897 S 7/2004 Strange et al.
 D503,034 S 3/2005 Choi
 D513,880 S 1/2006 Domotor et al.
 D542,928 S 5/2007 Bauer
 D543,833 S 6/2007 Folk et al.
 D544,338 S * 6/2007 Christensen et al. D8/358
 D579,764 S * 11/2008 Kuhlmann D8/394
 7,506,420 B2 3/2009 Frydlewski et al.
 D590,705 S * 4/2009 Kuhlmann D8/394
 D596,759 S 7/2009 Burke
 D599,196 S 9/2009 Ruffin et al.
 D614,855 S 5/2010 Inohara et al.
 D615,385 S 5/2010 Arendt
 D623,933 S * 9/2010 Mallin et al. D8/394
 7,825,337 B2 * 11/2010 Young, IV 174/72 A
 D628,936 S 12/2010 Edelstein
 D637,065 S * 5/2011 Krietzman et al. D8/356
 D637,066 S * 5/2011 Krietzman et al. D8/356
 D641,708 S 7/2011 Yamauchi
 D662,987 S 7/2012 Ianke
 8,261,416 B2 9/2012 Rothbaum et al.
 D672,230 S 12/2012 Laverack et al.
 D686,909 S 7/2013 Frydlewski et al.
 8,590,121 B1 11/2013 Patt, Jr. et al.
 D698,232 S * 1/2014 Weinberg D8/394
 D705,442 S 5/2014 Tipton et al.
 2002/0178559 A1 12/2002 Hsu
 2003/0140459 A1 7/2003 Strange et al.
 2004/0139583 A1 7/2004 Wendle
 2005/0251967 A1 11/2005 McNeill
 2005/0268435 A1 12/2005 Moughelbay et al.
 2006/0168785 A1 8/2006 Kraft et al.
 2006/0254089 A1 11/2006 Frydlewski
 2009/0242439 A1 10/2009 Talley
 2010/0293767 A1 11/2010 Talley
 2010/0325849 A1 12/2010 Clayton
 2011/0058902 A1 * 3/2011 Barbeau et al. 405/218
 2011/0271491 A1 11/2011 Clawson

CN 3052239 12/1996
 CN 3055530 3/1997
 CN 3105681 3/1999
 CN 1833567 A 9/2006
 CN 201139130 Y 10/2008
 CN 301041762 10/2009
 CN 301257699 6/2010
 CN 301267166 6/2010
 DE 20 2012 012779 U1 3/2014
 FR 958758 A 3/1950
 JP 1409037 3/2011
 NL 002305581-0001 10/2013
 WO WO-2013066004 A1 5/2013
 WO WO 2013/119268 8/2013
 WO WO-2014/106974 A1 7/2014

OTHER PUBLICATIONS

Application for a Declaration of Invalidity of a Registered Community Design against Registered Community Design 002075341-0001, dated Oct. 7, 2014.
 Extended European Search Report issued in European Application No. 13153930.6 dated Apr. 7, 2014.
 International Search Report and Written Opinion for International Patent Application No. PCT/US12/4171, dated Aug. 17, 2012.
 International Search Report and Written Opinion in PCT International Application No. PCT/US14/56824, dated Dec. 16, 2014.
 Notice of Allowance issued in U.S. Appl. No. 13/367,362 dated Aug. 7, 2014.
 Notice of Allowance issued in U.S. Appl. No. 29/412,658 dated May 21, 2013.
 Notice of Allowance issued in U.S. Appl. No. 29/468,991 dated Sep. 2, 2014.
 Notice of Allowance issued in U.S. Appl. No. 29/468,997 dated Sep. 25, 2014.
 Notice of Allowance issued in U.S. Appl. No. 29/468,999 dated Sep. 9, 2014.
 Office Action issued in Canadian Patent Application No. 2,831,406 dated Nov. 13, 2013.
 Office Action issued in Chinese Patent Application No. 201210308271.4 dated Oct. 10, 2014.
 Office Action issued in Chinese Patent Application No. 201230369100.3 dated Nov. 27, 2013.
 Office Action issued in Chinese Patent Application No. 3162378 dated Dec. 3, 2013.
 Office Action issued in U.S. Appl. No. 13/367,362 dated Apr. 16, 2014.
 Office Action issued in U.S. Appl. No. 14/493,108 dated Apr. 16, 2015.
 Office Action issued in Chinese Patent Application No. 201280069064.6 dated Jul. 24, 2015.
 "Slastics Video English," <https://vimeo.com/124641229>, Aug. 13, 2015.
 "Jazzy Sports Laces," <https://www.youtube.com/watch?v=XzawtAlHzsw>, Aug. 13, 2015.
 "Koollaces Inc" http://www.koollaces.net/en/contents/index_3_1.php, Aug. 13, 2015.
 "Strapz Team Spirit" <http://so-mine.net/porkolio/strapz-team-spirit---3/>, Aug. 13, 2015.
 Yankz, <<http://www.yankz.com>>, retrieved Feb. 12, 2015.
 U-Laces, <<http://www.u-lace.com>>, retrieved Feb. 12, 2015.
 Laceout, <<http://www.laceout.com>>, retrieved Feb. 12, 2015.
 Amazon, <http://www.amazon.de/dp/B008EA8RHQ/ref=asc_df_B008EA8RHQ21?smid=AMD1KJ2RZKKOW&tag=ciao-jewelry-mp-21&linkCode=dfo&creative=22506&creativeASIN=B008EA8RHQ&childASIN=B008EE8RHQ>, retrieved Oct. 7, 2014.

(56)

References Cited

OTHER PUBLICATIONS

Amazon, <http://www.amazon.de/Lizas-Lederarmband-geflochten-Kristallen-LIZA119/dp/BOOKYW17VU/ref=sr_1_152?s=jewelry&ie=UTF8&qid=1412677656&sr=1-152>, retrieved Oct. 7, 2014.
Bottega Veneta, <http://www.bottegaveneta.com/de/weiteres-leder-accessoire_cod463670620h.html>, retrieved Oct. 7, 2014.
Mr. Lacy, <<http://mr-lacy.com>>, retrieved Feb. 12, 2015.

UX Movement, “Why Rounded Corners are Easier on the Eyes”, <<http://uxmovement.com/thinking/why-rounded-corners-are-easier-on-the-eyes/>>, retrieved on Feb. 12, 2015.
Substantive Examination Report issued in Philippines Patent Application No. 1/2014/501752 dated Mar. 17, 2015.
Office Action issued in Colombian Patent Application No. 14-1713751 dated Jul. 7, 2015.
Office Action issued in U.S. Appl. No. 14/493,108 dated Mar. 18, 2016.

* cited by examiner

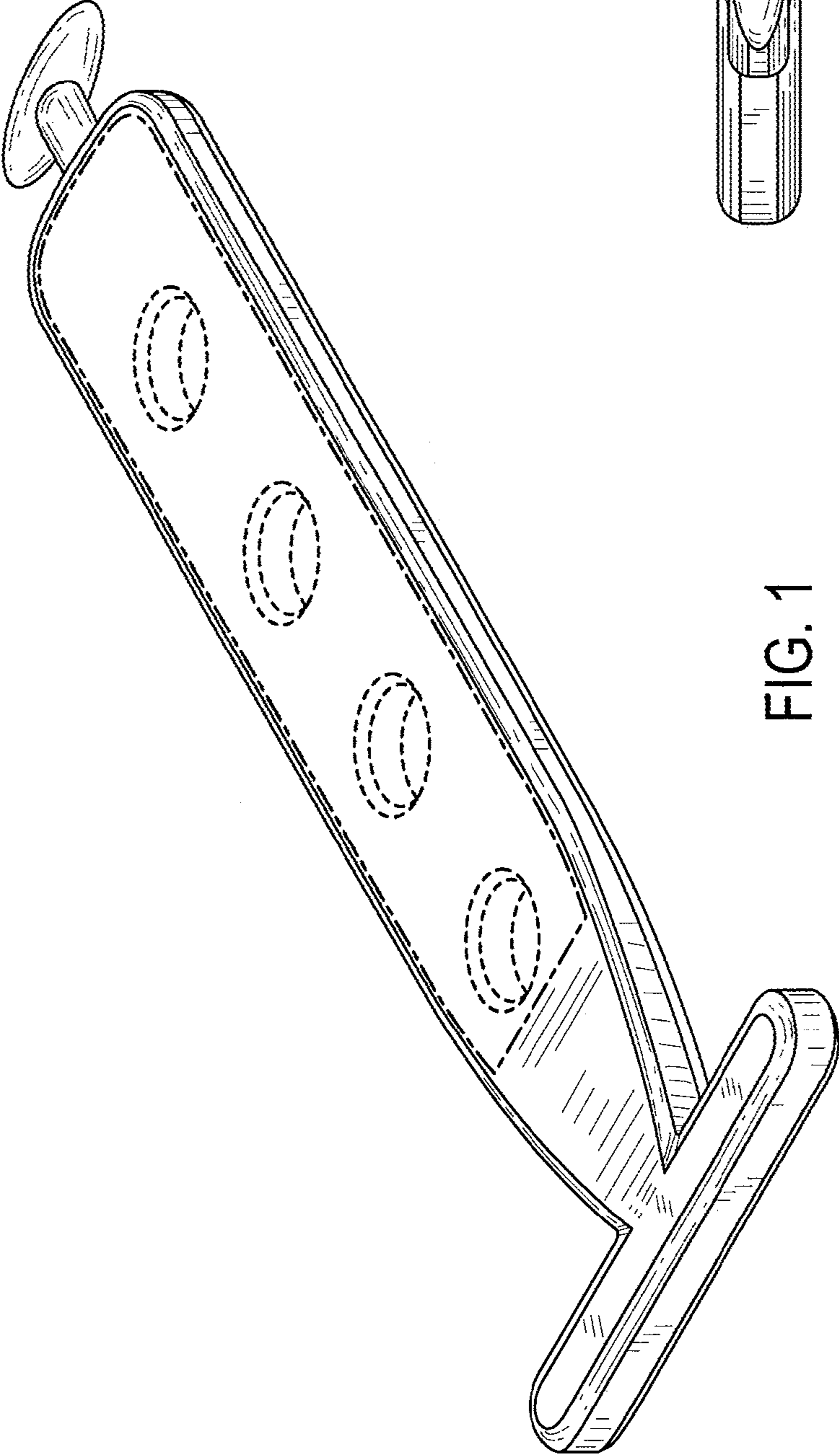


FIG. 1



FIG. 4

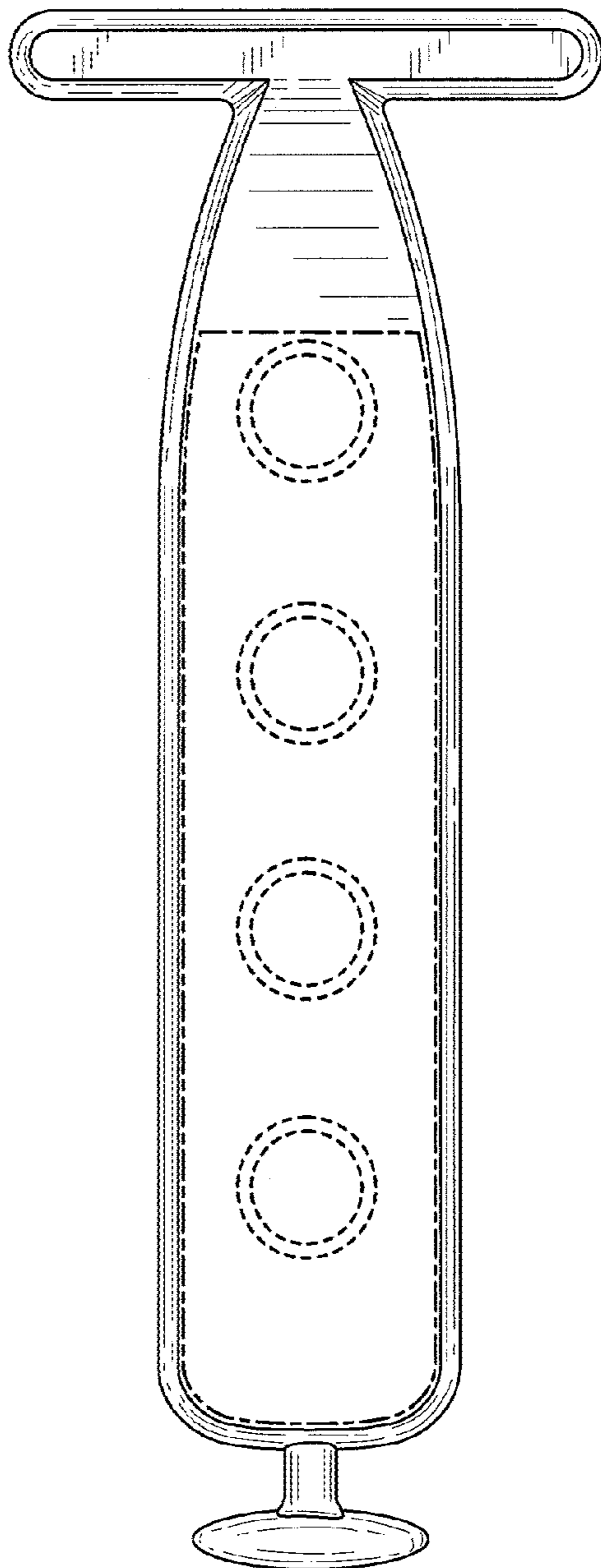


FIG. 2

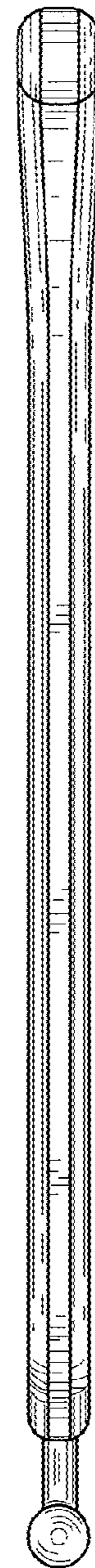


FIG. 3



FIG. 5

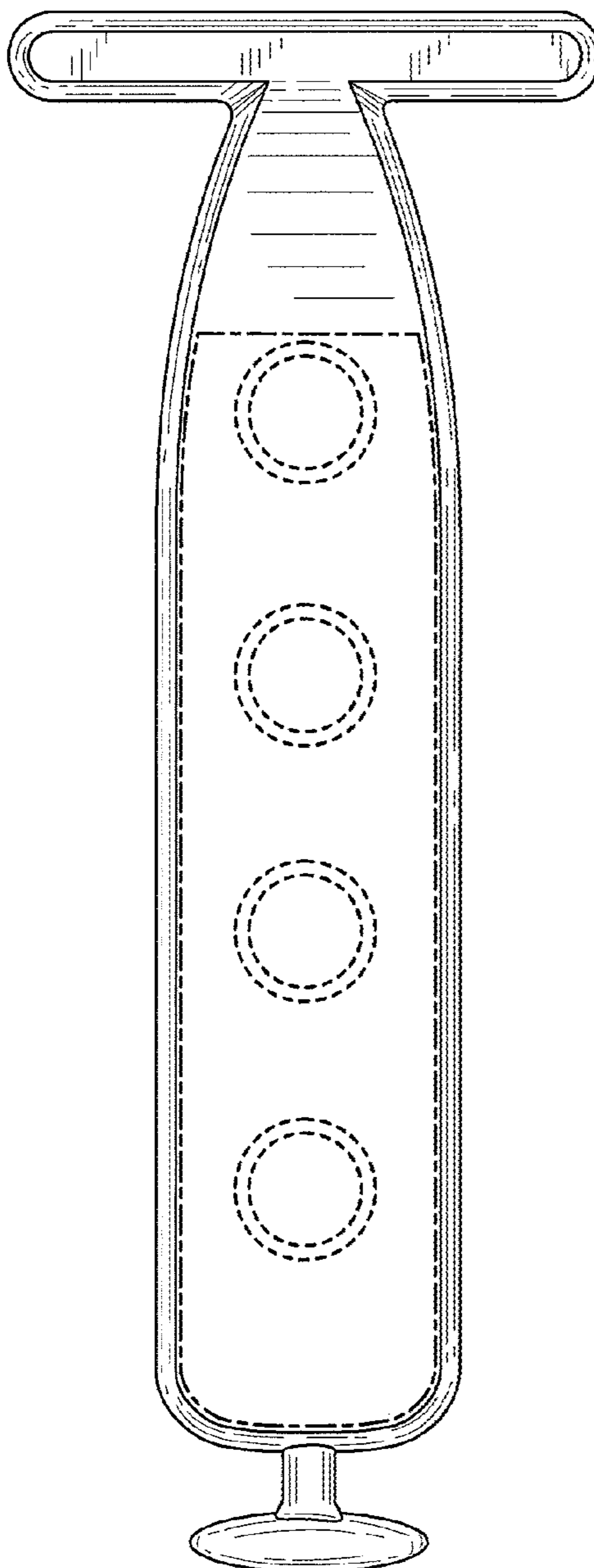


FIG. 6