



US00D762458S

(12) **United States Design Patent**
Horne

(10) **Patent No.:** **US D762,458 S**
(45) **Date of Patent:** **** Aug. 2, 2016**

(54) **SAFETY CAP FOR REBAR**

(71) Applicant: **ACTEURO LIMITED**,
Nottinghamshire (GB)

(72) Inventor: **Carl Horne**, Nottinghamshire (GB)

(73) Assignee: **ACTEURO LIMITED**,
Nottinghamshire (GB)

(**) Term: **14 Years**

(21) Appl. No.: **29/498,437**

(22) Filed: **Aug. 4, 2014**

(30) **Foreign Application Priority Data**

Feb. 3, 2014 (AU) 10472/2014

(51) **LOC (10) CL.** **08-05**

(52) **U.S. CL.**
USPC **D8/354**

(58) **Field of Classification Search**
USPC D7/300, 300.1, 300.2, 303, 313, 317,
D7/602, 387, 509, 510, 511, 538; D9/434,
D9/435, 436, 439, 440, 441, 442, 443, 444,
D9/445, 446, 447, 448, 449, 450, 451, 452,
D9/453, 454, 499; D8/354, 402
CPC B65D 41/26; B65D 41/32; B65D 59/06;
B65D 47/0814; B65D 47/2031; B65D 51/249;
B65D 2251/1066; B65D 41/02; B65D 23/00;
B65D 39/08; B67D 3/0032; A47G 19/26;
A47G 19/2266; B65F 1/14
See application file for complete search history.

(56) **References Cited**

U.S. PATENT DOCUMENTS

299,170 A * 5/1884 Shafer B67C 11/02
141/297
D306,951 S * 4/1990 Brandstrom D23/200

5,381,636 A * 1/1995 Kassardjian B29C 45/14065
138/96 R

D355,119 S * 2/1995 Zimmermann D9/440

D367,228 S * 2/1996 Woods D23/213

D379,304 S * 5/1997 Bova D9/447

D388,328 S * 12/1997 Harris D9/447

D408,268 S * 4/1999 Dunn D8/354

D411,954 S * 7/1999 Williamson D9/440

D420,589 S * 2/2000 Baxter D9/439

D423,933 S * 5/2000 Fritz D6/542

D457,399 S * 5/2002 Jaggernauth D8/1

D460,571 S * 7/2002 Schimmelpfennig D25/135

6,612,082 B2 * 9/2003 Schimmelpfennig ... E04C 5/161
248/523

D529,799 S * 10/2006 Jensen D7/397

D595,990 S * 7/2009 Rothberg D7/300.2

7,716,898 B1 * 5/2010 Dunn E04G 21/32
248/49

8,141,309 B2 * 3/2012 Kubicek E04C 5/161
138/96 R

D656,820 S * 4/2012 Willows D9/447

D660,149 S * 5/2012 Grace D9/447

D686,496 S * 7/2013 Strauli D9/434

D691,040 S * 10/2013 Wade D9/440

D708,945 S * 7/2014 Jetmar D9/439

D716,637 S * 11/2014 McDonald D8/354

D716,638 S * 11/2014 McDonald D8/354

(Continued)

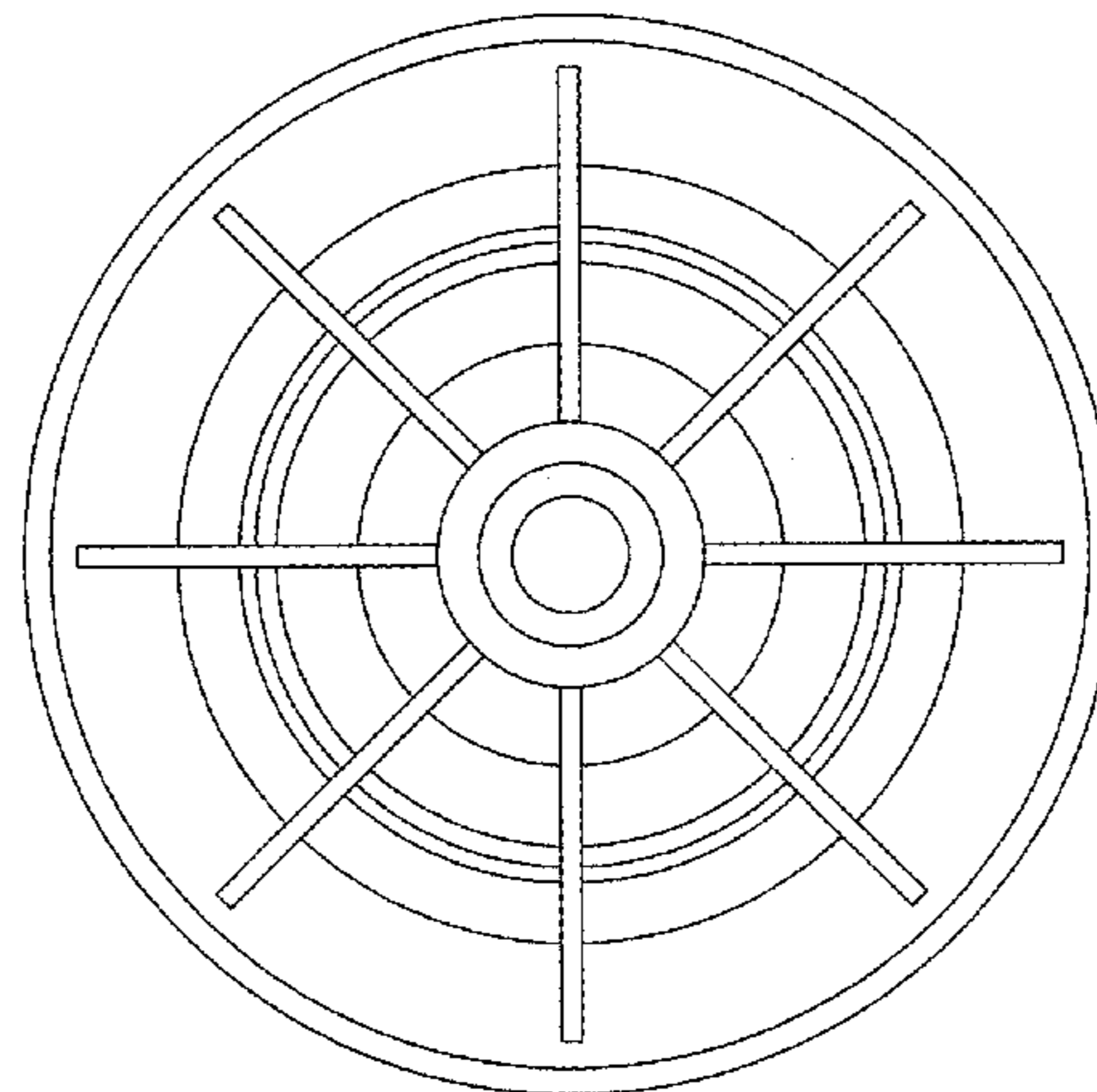
Primary Examiner — Robert M Spear
Assistant Examiner — Marissa J Cash

(57) **CLAIM**
The ornamental design for the safety cap for rebar, as shown and described.

DESCRIPTION

FIG. 1 is a bottom plan view of the safety cap for rebar;
FIG. 2 is a right side view of the safety cap for rebar, the left side being a mirror image;
FIG. 3 is a top perspective view of the safety cap for rebar;
and,
FIG. 4 is a bottom perspective view of the safety cap for rebar.
The broken line portion of FIG. 1 depicting unclaimed subject matter forms no part of the claimed design.

1 Claim, 4 Drawing Sheets



(56)

References Cited

U.S. PATENT DOCUMENTS

D720,217 S * 12/2014 Oates D7/398
8,973,323 B1 * 3/2015 McDonald E04C 5/161
52/301
D732,955 S * 6/2015 Peckels D9/440
D734,150 S * 7/2015 Rigel D9/440

D737,120 S * 8/2015 Recker D8/354
2009/0107067 A1 * 4/2009 Beery E04C 5/161
52/301
2009/0288357 A1 * 11/2009 Kubicek E04C 5/161
52/301
2009/0313927 A1 * 12/2009 Myers, Jr. E04C 5/161
52/301

* cited by examiner

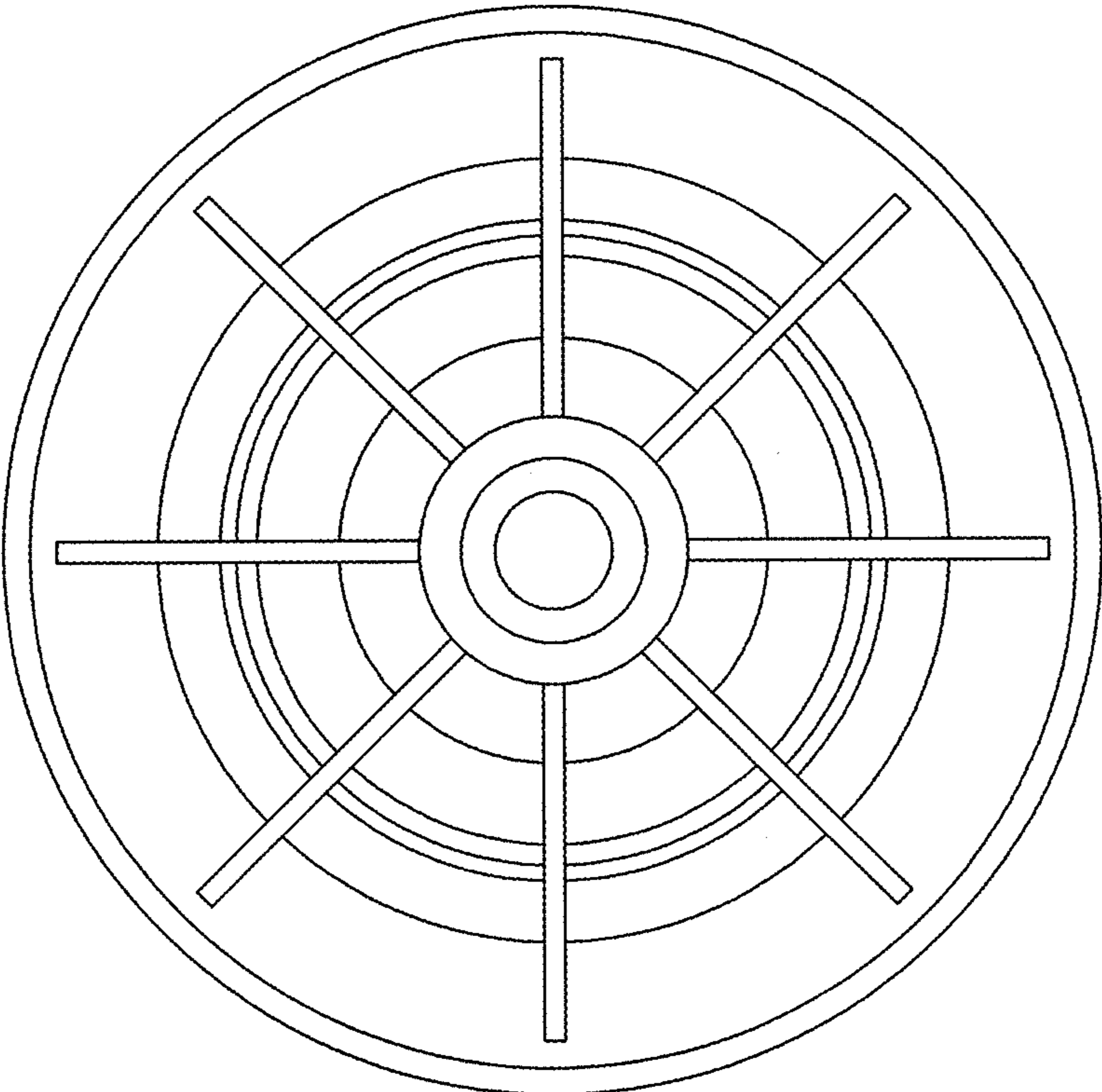


Figure 1

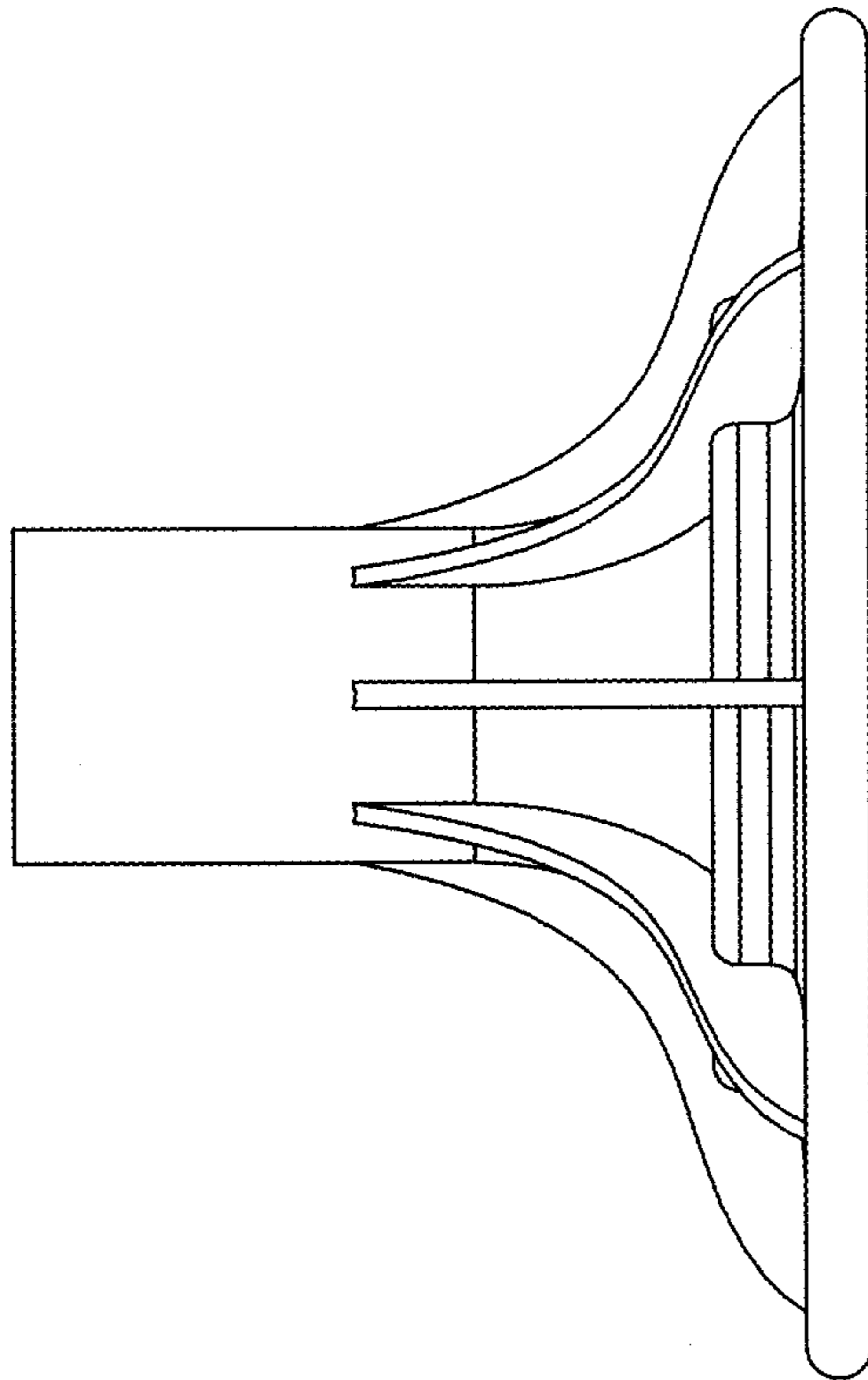


Figure 2

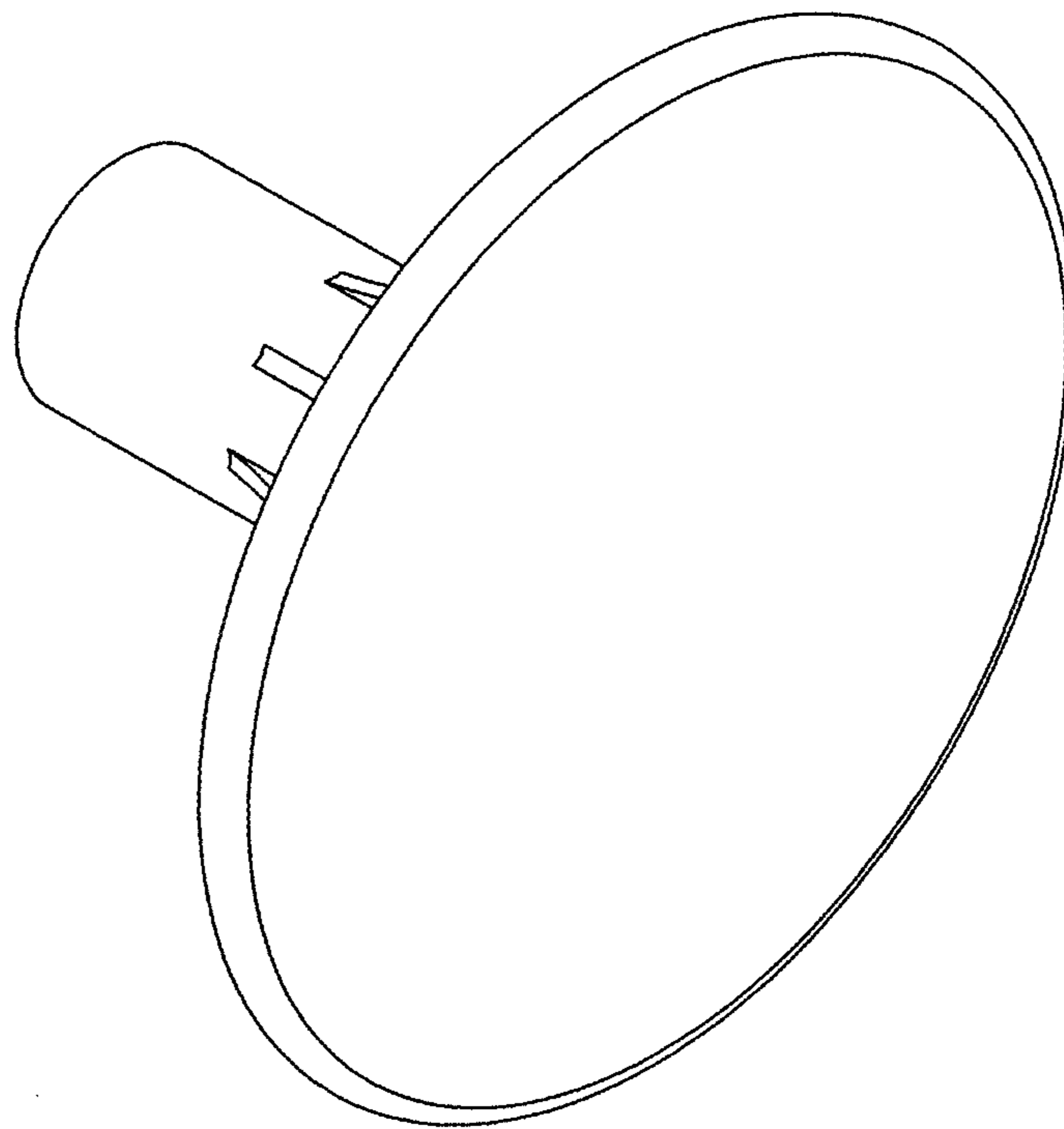


Figure 3

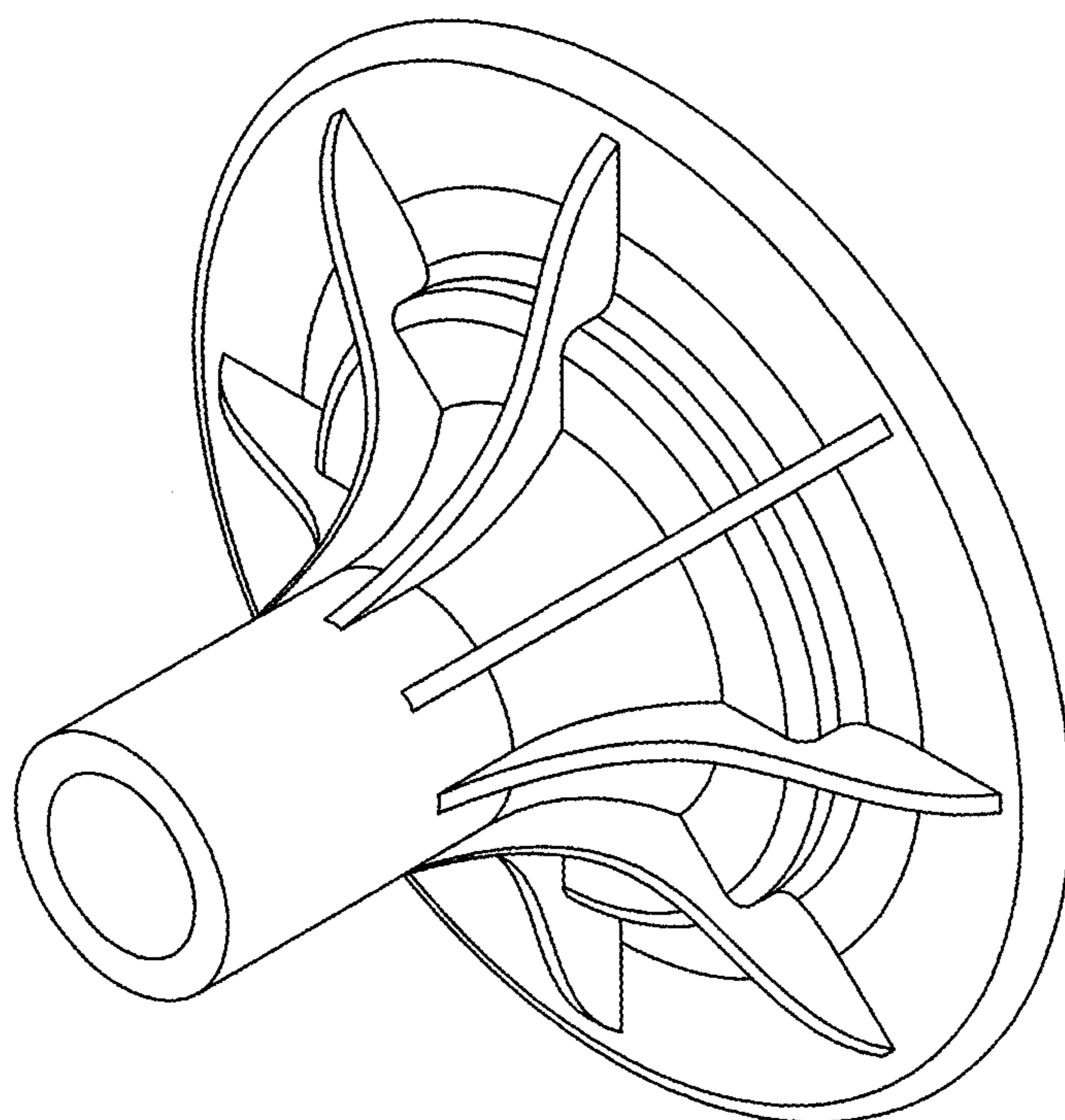


Figure 4