



US00D762457S

(12) **United States Design Patent**  
**Lo et al.**

(10) **Patent No.:** **US D762,457 S**  
(45) **Date of Patent:** **\*\* Aug. 2, 2016**

- (54) **STRINGER CLIP**
- (71) Applicants: **LISI AEROSPACE**, Paris (FR); **THE MONADNOCK COMPANY**, City of Industry, CA (US)
- (72) Inventors: **Justin Lo**, Irvine, CA (US); **Craig Reitz**, Lakewood, CA (US)
- (73) Assignees: **The Monadnock Company**, City of Industry, CA (US); **LISI Aerospace**, Paris (FR)
- (\*\*) Term: **15 Years**
- (21) Appl. No.: **29/528,544**
- (22) Filed: **May 29, 2015**
- (51) **LOC (10) Cl.** ..... **08-08**
- (52) **U.S. Cl.**  
USPC ..... **D8/349**
- (58) **Field of Classification Search**  
USPC ..... D8/105, 356, 394, 395, 349, 396, 373, D8/380, 371, 366, 354; D12/51, 223  
CPC . A41B 3/08; F16H 2057/02043; F16H 57/02; B25B 5/10; B25B 5/08; H02G 3/32; B64C 1/12; B64C 1/406  
See application file for complete search history.

- (56) **References Cited**  
U.S. PATENT DOCUMENTS
- 3,468,509 A \* 9/1969 Foltz ..... E05D 15/0652 16/94 R
- D252,669 S \* 8/1979 Muttart ..... D8/366
- 4,896,851 A \* 1/1990 Shaull ..... F16B 2/08 248/228.8
- 5,067,863 A \* 11/1991 Kowalski ..... H02G 3/263 411/112
- D339,981 S \* 10/1993 Barnes ..... D8/373
- D342,011 S \* 12/1993 Maguire ..... D8/349
- 5,352,078 A \* 10/1994 Nasu ..... F16B 2/065 248/228.3

- 5,797,573 A \* 8/1998 Nasu ..... B25B 5/08 248/228.2
- 6,766,984 B1 \* 7/2004 Ochoa ..... B64C 1/12 244/119
- D523,329 S \* 6/2006 Klippel ..... D8/394
- D532,291 S \* 11/2006 Geers ..... D8/394
- D584,603 S \* 1/2009 Reed ..... D8/395
- 7,735,780 B2 \* 6/2010 Coles ..... H02G 3/32 244/132
- 7,740,306 B2 \* 6/2010 Ochoa ..... B62D 33/04 296/186.1
- 7,823,853 B2 \* 11/2010 Larson ..... F16B 45/00 24/370
- D632,554 S \* 2/2011 Grzyb ..... D8/395
- D638,773 S \* 5/2011 Laverack ..... D12/223

(Continued)

*Primary Examiner* — Mark Goodwin  
(74) *Attorney, Agent, or Firm* — Henricks, Slavin & Holmes LLC

(57) **CLAIM**  
The ornamental design for a stringer clip, as shown and described.

**DESCRIPTION**

FIG. 1 is an upper back left isometric view of a stringer clip assembly with a stringer clip according to the present invention.

FIG. 2 is a left side elevation view of the stringer clip assembly of FIG. 1 in a typical orientation.

FIG. 3 is a lower front right isometric view of the stringer clip of FIG. 1.

FIG. 4 is a front elevation view of the stringer clip of FIG. 1.

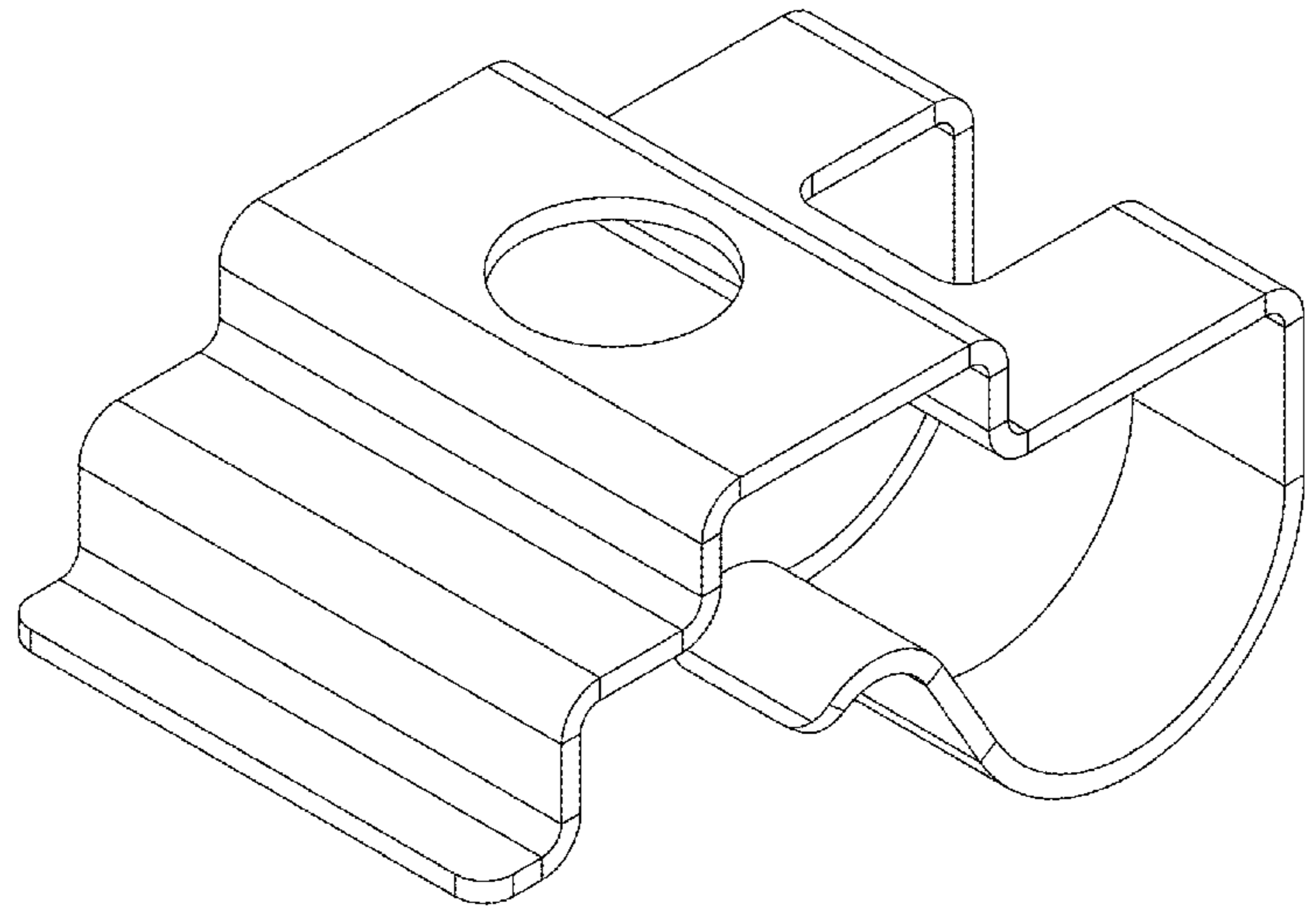
FIG. 5 is a back elevation view of the stringer clip of FIG. 1.

FIG. 6 is a left side elevation view of the stringer clip of FIG. 1, the right side of the stringer clip being a mirror image thereof.

FIG. 7 is a bottom plan view of the stringer clip of FIG. 1; and, FIG. 8 is a top plan view of the stringer clip of FIG. 1.

The broken line showing of a fastener stud is for the purpose of illustrating a related assembly and forms no part of the claimed design.

**1 Claim, 5 Drawing Sheets**



(56)

**References Cited**

U.S. PATENT DOCUMENTS

8,480,030 B2 *	7/2013	Stephan	.....	B64C 1/12	244/117 R
D690,583 S *	10/2013	Sendra-Gonzalez	.....	D8/394	
D691,463 S *	10/2013	Sendra-Gonzalez	.....	D8/394	
8,622,347 B2 *	1/2014	Oyzerskiy	.....	B64C 1/403	138/107
D699,097 S *	2/2014	Chung	.....	D8/354	
8,733,027 B1 *	5/2014	Marston	.....	F24J 2/5249	24/525
D732,382 S *	6/2015	Zalanca	.....	D8/394	
D739,221 S *	9/2015	Sendra-Gonzalez	.....	D8/349	
9,175,881 B2 *	11/2015	Schrock	.....	F16B 9/023	
2009/0159745 A1 *	6/2009	Coles	.....	H02G 3/32	244/119
2009/0242715 A1 *	10/2009	Kosidlo	.....	F16B 2/243	248/231.81

\* cited by examiner

FIG. 1

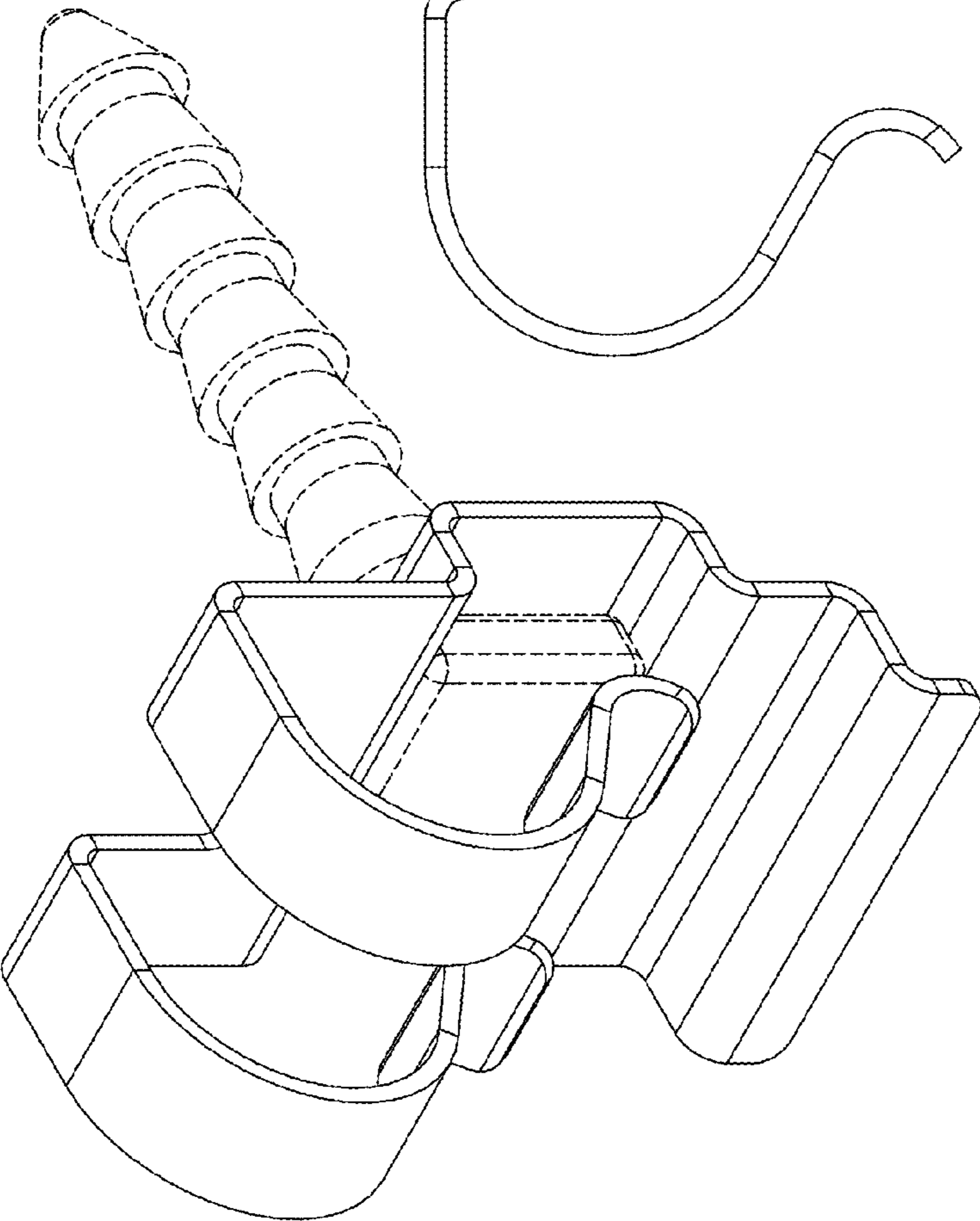
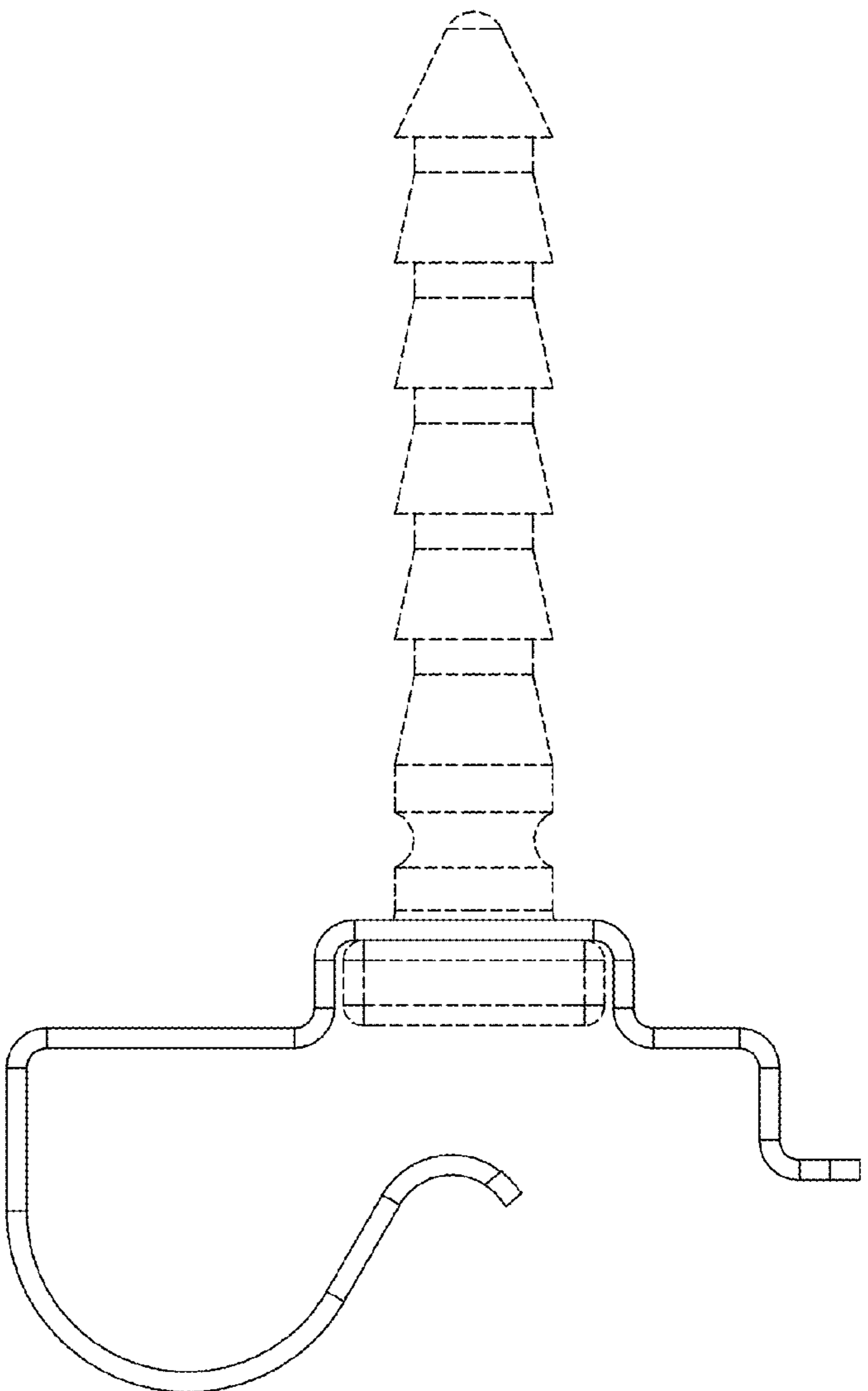


FIG. 2



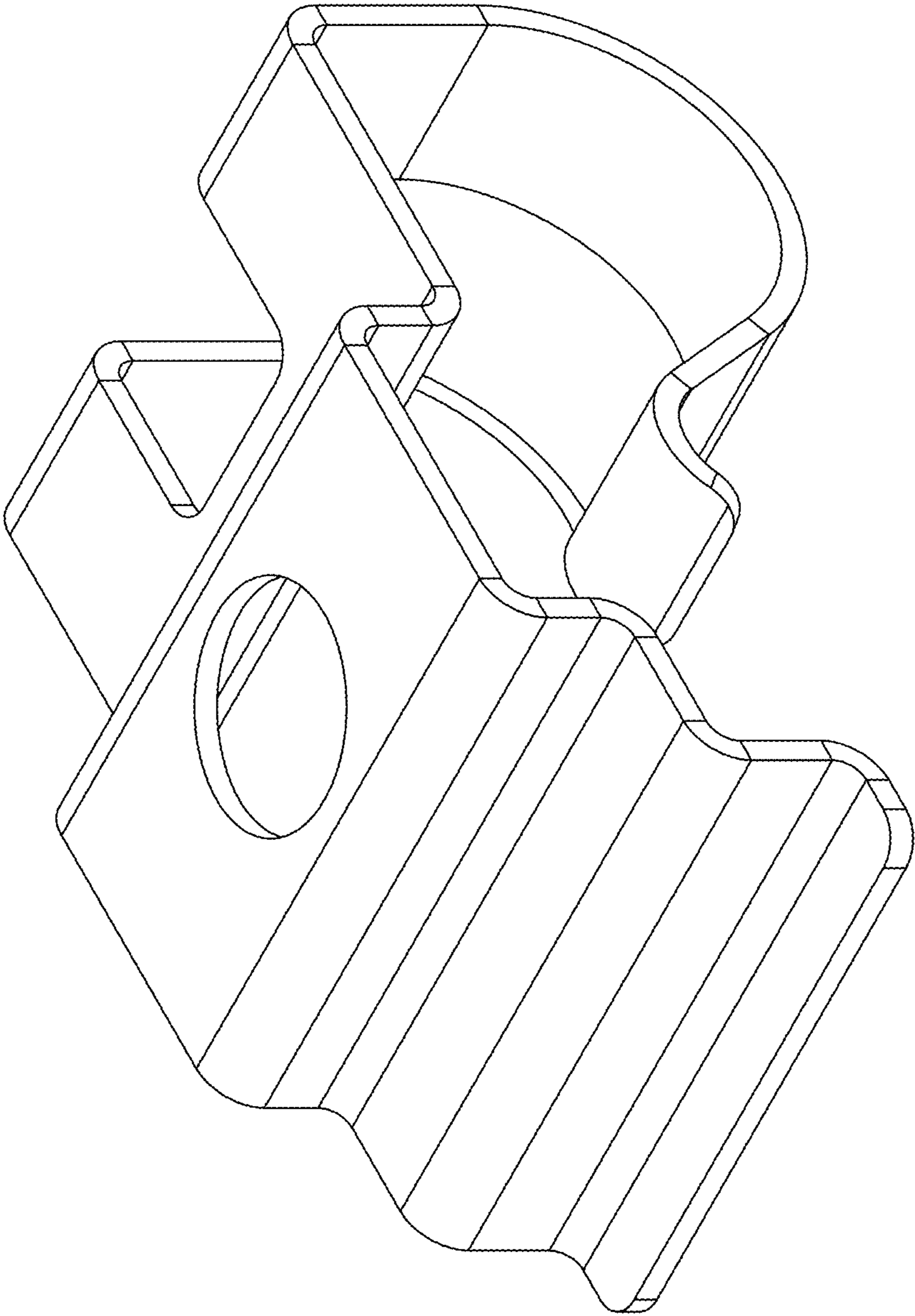


FIG. 3

FIG. 5

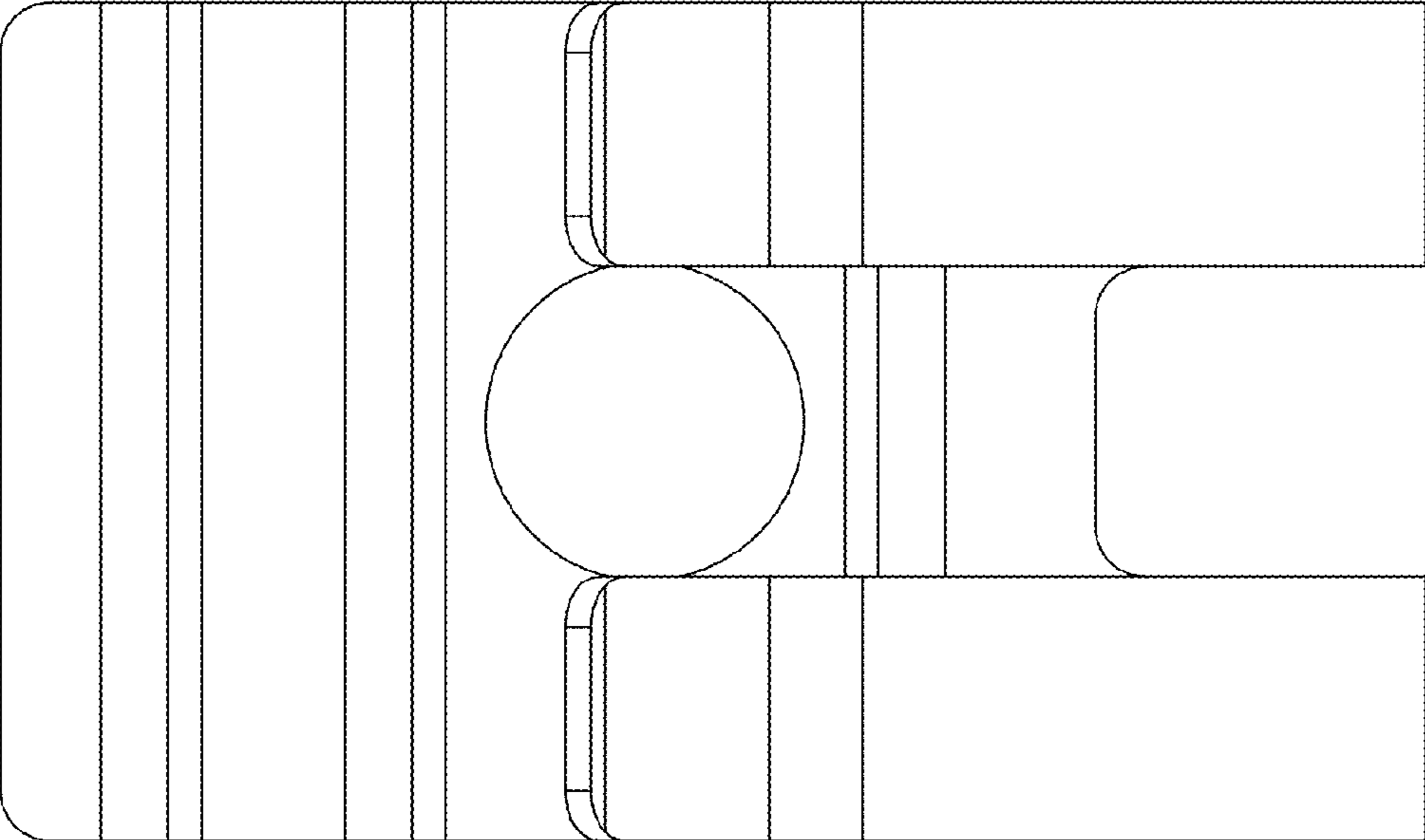
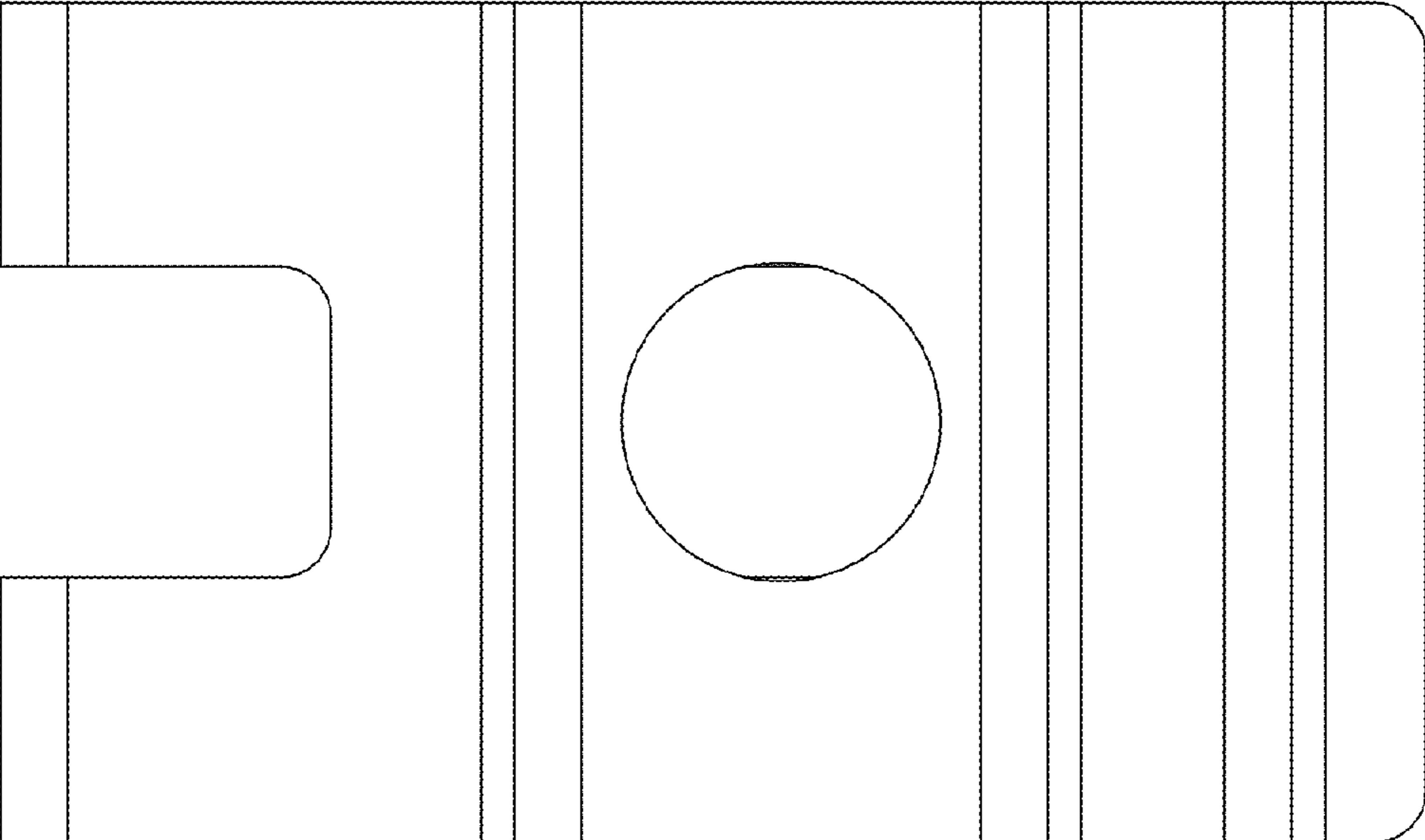


FIG. 4



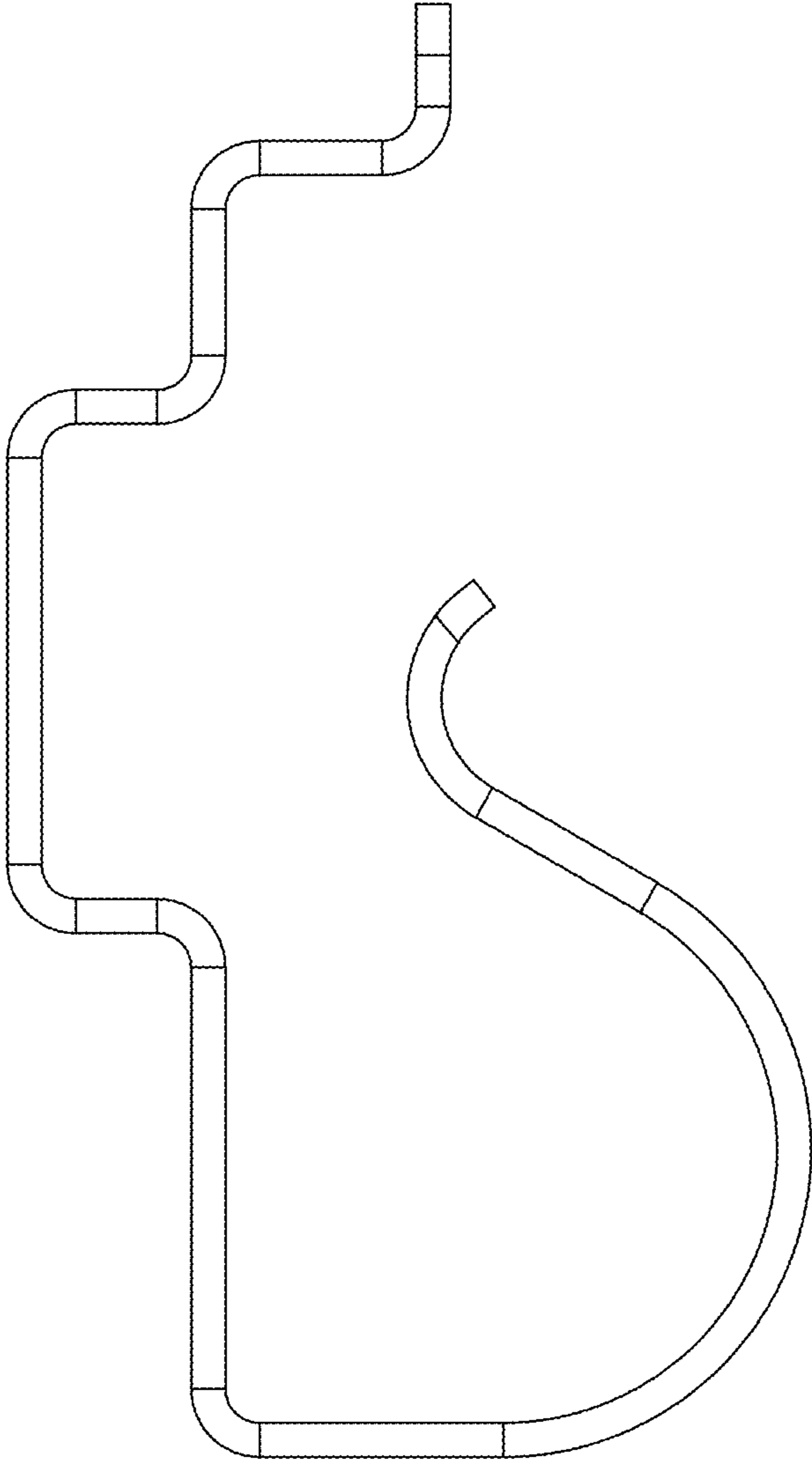


FIG. 6

FIG. 8

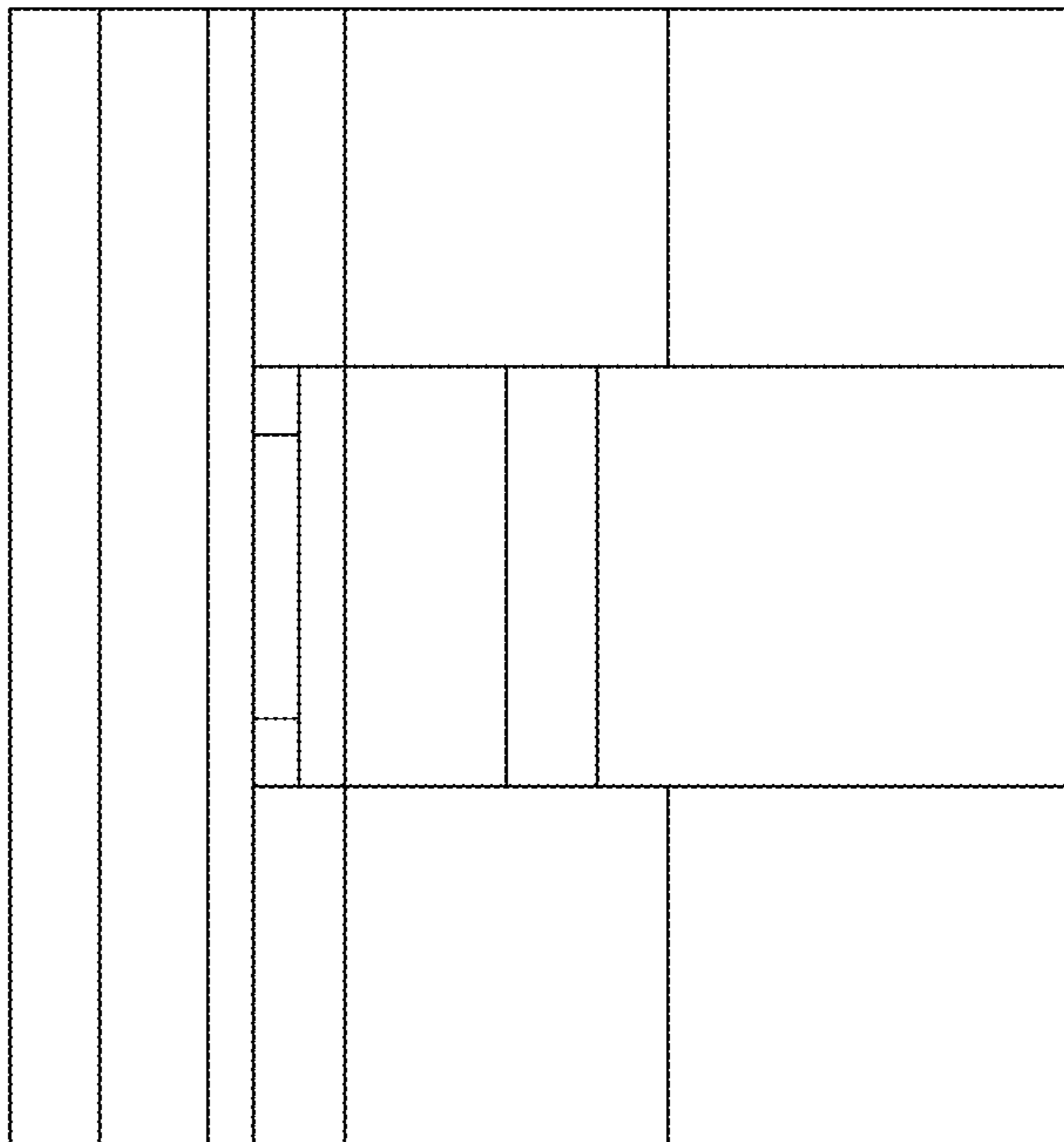


FIG. 7

