

US00D762455S

(12) **United States Design Patent**
Partridge et al.

(10) **Patent No.:** **US D762,455 S**

(45) **Date of Patent:** **** Aug. 2, 2016**

(54) **LIGHTNING PROTECTION MOUNT**

(56) **References Cited**

(71) Applicant: **LIGHTNING PROTECTION SYSTEMS, LLC**, North Salt Lake, UT (US)

U.S. PATENT DOCUMENTS

(72) Inventors: **Kirk Partridge**, Park City, UT (US);
Todd Vought, Park City, UT (US);
Travis Vought, Salt Lake City, UT (US)

2,783,447	A *	2/1957	Watts	H01R 4/188 439/406
D251,779	S *	5/1979	Wolff	D13/155
D262,617	S *	1/1982	Shumate	D13/153
D268,316	S *	3/1983	Shamoon	D6/300
D285,192	S *	8/1986	Hubbard	D13/155

(Continued)

(**) Term: **14 Years**

OTHER PUBLICATIONS

(21) Appl. No.: **29/525,946**

<http://www.youtube.com/watch?v=U2vbR34jBzk&feature=related>,
Sep. 26, 2012.

(22) Filed: **May 5, 2015**

(Continued)

Related U.S. Application Data

(63) Continuation-in-part of application No. 14/448,684, filed on Jul. 31, 2014, now Pat. No. 9,263,864, and a continuation-in-part of application No. 14/600,270, filed on Jan. 20, 2015, which is a continuation of application No. 13/676,292, filed on Nov. 14, 2012, now Pat. No. 8,950,055.

Primary Examiner — Ian Simmons

Assistant Examiner — Ieisha Price

(74) *Attorney, Agent, or Firm* — Pate Baird, PLLC

(51) **LOC (10) Cl.** **08-05**

(52) **U.S. Cl.**
USPC **D8/349**

(58) **Field of Classification Search**
USPC D6/300, 301, 302, 309, 328, 553;
D8/349, 354, 382, 383, 394, 499;
D26/60, 72, 113, 138; D13/133, 154,
D13/155, 156
CPC H02G 13/00; H02G 1/14; F16L 3/06;
F16L 3/1008; F16M 13/02; Y10T 29/49869;
Y10T 29/49947; Y10T 29/49117; Y10T
29/49966

See application file for complete search history.

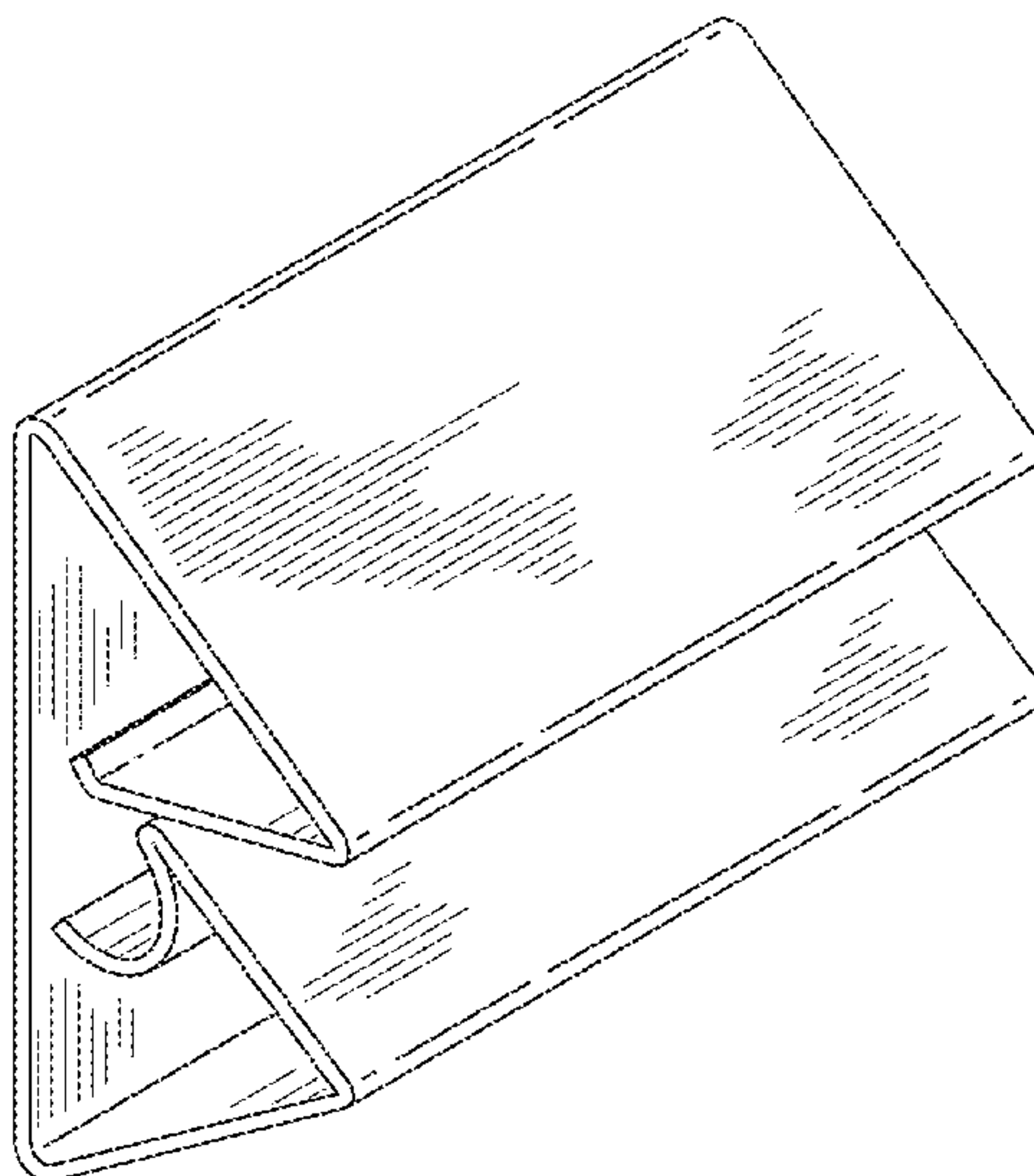
(57) **CLAIM**

The ornamental design for a lightning protection mount, as shown and described.

DESCRIPTION

FIG. 1 is a front perspective view of a lightning protection mount in accordance with the invention; FIG. 2 is a rear perspective view thereof; FIG. 3 is a front elevation view thereof; FIG. 4 is a rear elevation view thereof; FIG. 5 is a top plan view thereof; FIG. 6 is a bottom plan view thereof; FIG. 7 is a left side elevation view thereof; FIG. 8 is a right side elevation view thereof; and, FIG. 9 is an environmental front perspective view of the lightning protection mount. The broken lines shown in FIG. 9 represents the environment of the claimed design and forms no part thereof.

1 Claim, 3 Drawing Sheets



(56)

References Cited

U.S. PATENT DOCUMENTS

D302,655 S * 8/1989 Sachs D8/395
 5,050,836 A 9/1991 Makous
 D331,358 S * 12/1992 Sachs D8/356
 D342,013 S * 12/1993 Sachs D8/356
 D349,038 S * 7/1994 Sachs D8/356
 D371,293 S * 7/1996 Schoenmeyr D8/354
 D376,972 S * 12/1996 Zissu D8/354
 5,581,900 A * 12/1996 Payne F16B 2/06
 248/229.13
 5,796,032 A * 8/1998 Hadley H02G 1/14
 174/135
 D618,992 S * 7/2010 Rix D8/354
 D636,656 S * 4/2011 Schaefer D25/122
 9,263,864 B2 * 2/2016 Partridge H02G 1/14
 2011/0286785 A1 11/2011 Brouwer et al.
 2015/0282612 A1 * 10/2015 Rutz A47B 21/06
 108/26

OTHER PUBLICATIONS

<http://www.youtube.com/watch?v=hNgtol3IsQ4>, Sep. 26, 2012.
http://www.uline.com/Grp_240/3M-VHB-Tapes?pricode=W1849&AdKeyword=3m%20vhb%20tape&AdMatchtype=e&gclid=COvctNuh58QCFViUfgodHY8APA&gclsrc=aw.ds, Apr. 8, 2015.
http://www.lightningrodsupply.com/index_files/page0001.htm
 Lightning Rod Parts Equipment, pp. 1-5, Apr. 8, 2015.
<http://www.erico.com/products/LP302.asp> ERICO® ERITECH®
 Universal Air Terminal Base LP302 pp. 1-2, Apr. 7, 2015.
<http://www.enrico.com/products/SR000E.asp> ERICO®
 ERITECH® System 2000 Lightning Protection System-America pp. 1-2, Apr. 7, 2015.
http://www.kuefler-lightning.com/series800-fasteners.htm?gclid=CKfk_vSk5cQCFY-Tfgod Lightning Protection Copper, Aluminum Cable Straps, Holders for Standing Seam Roofing Series 800-Lightning Protection Conductor Fasteners pp. 1-5, Apr. 7, 2015.

* cited by examiner

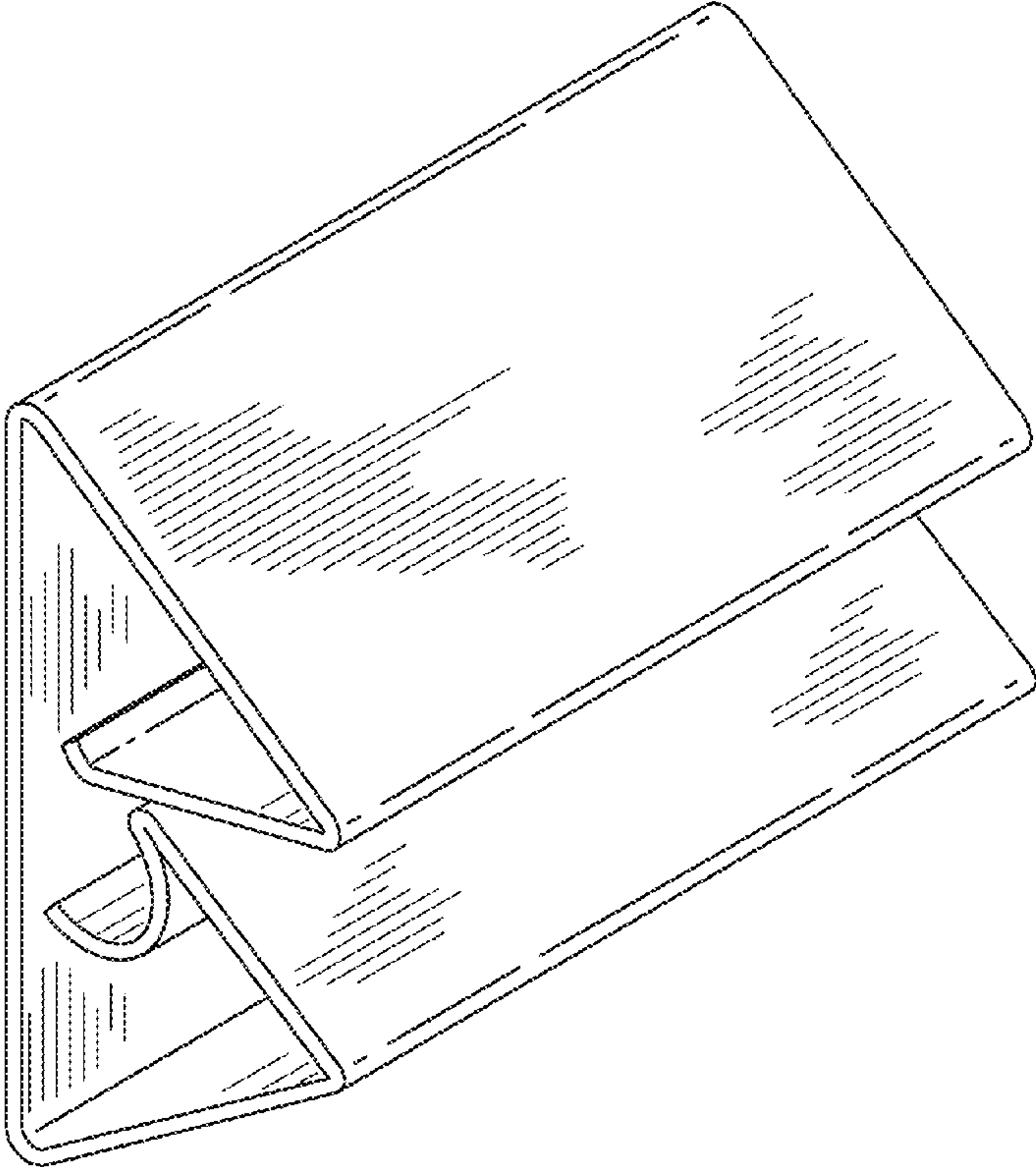


FIG. 1

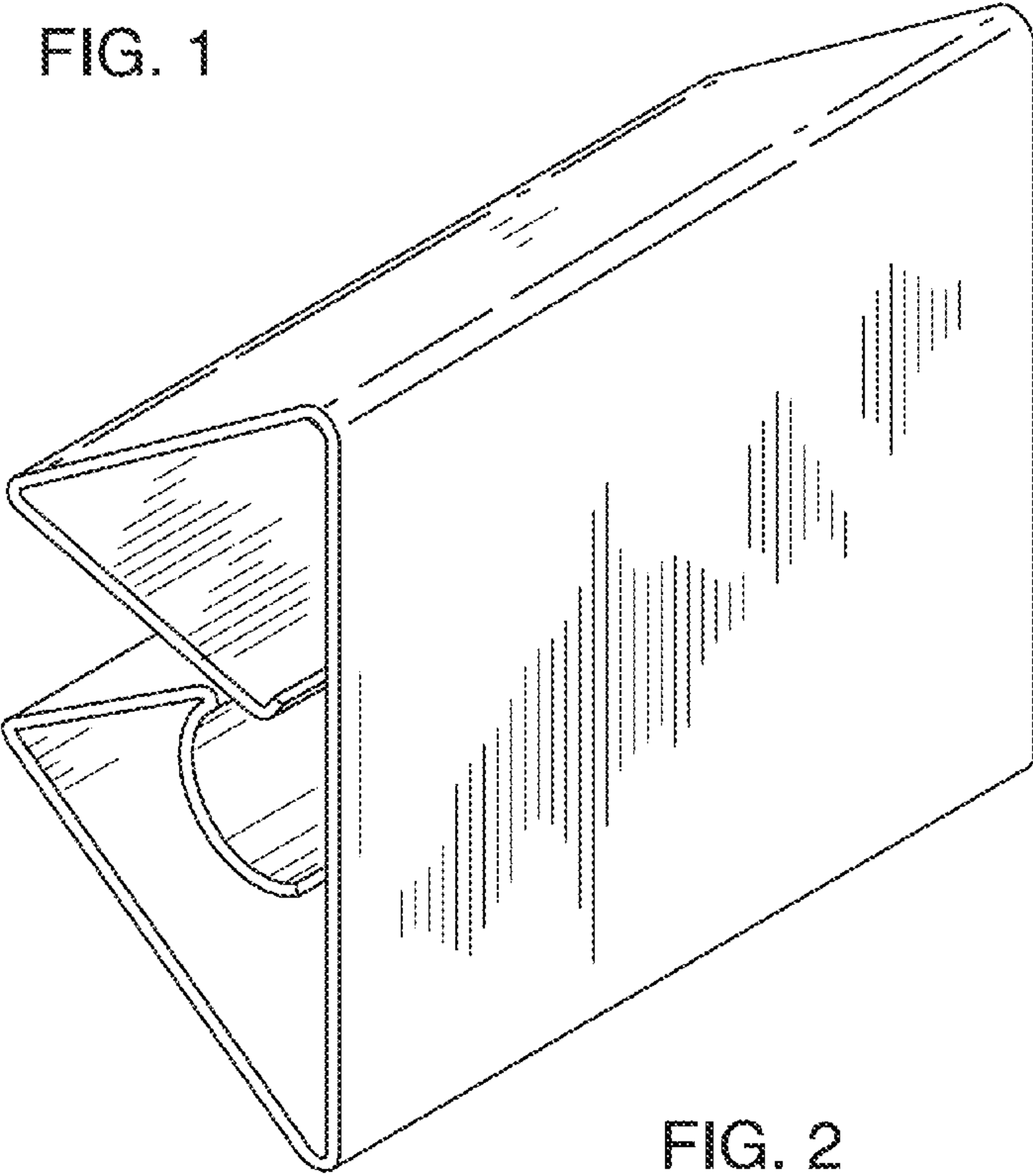


FIG. 2

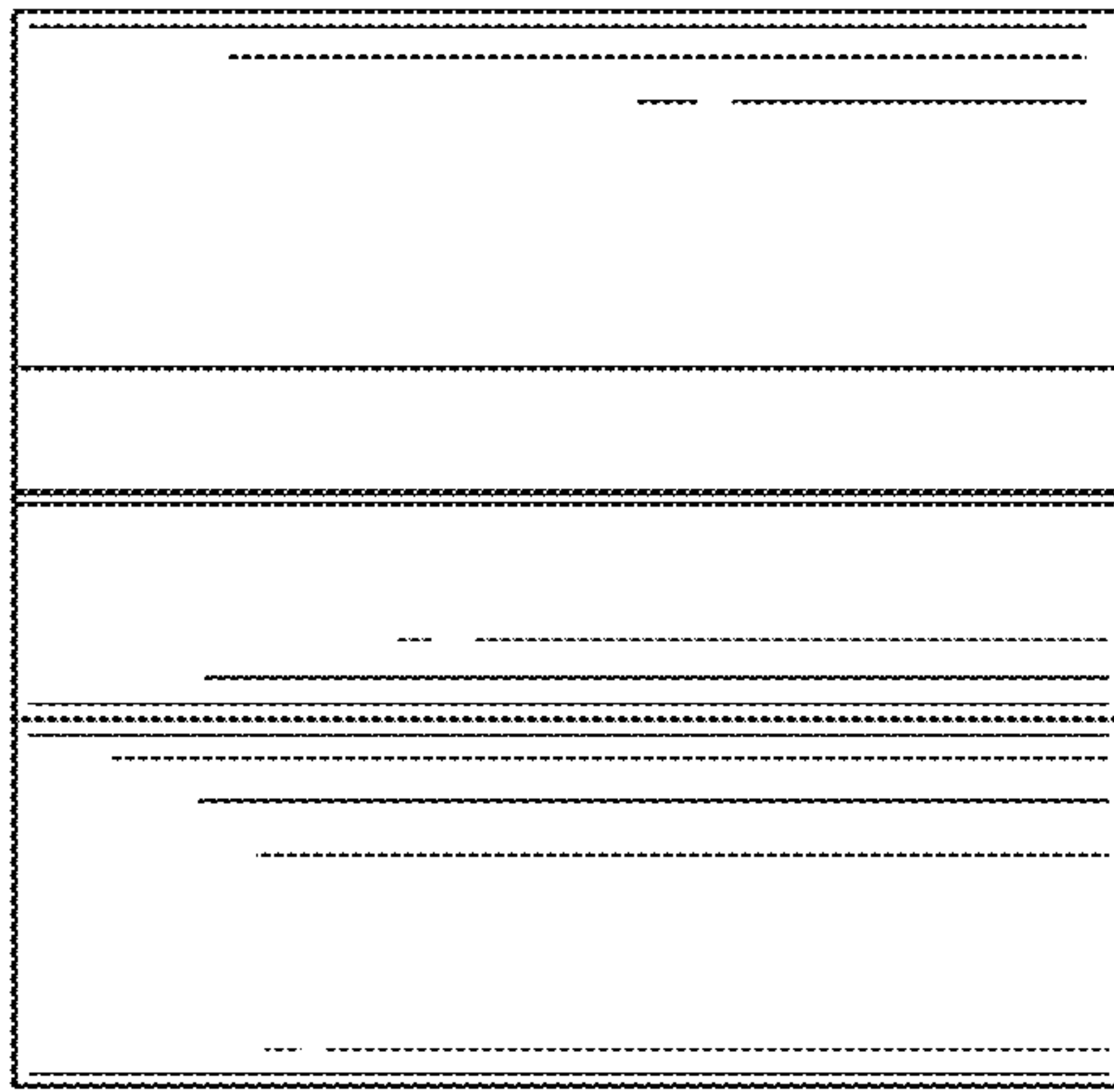


FIG. 3

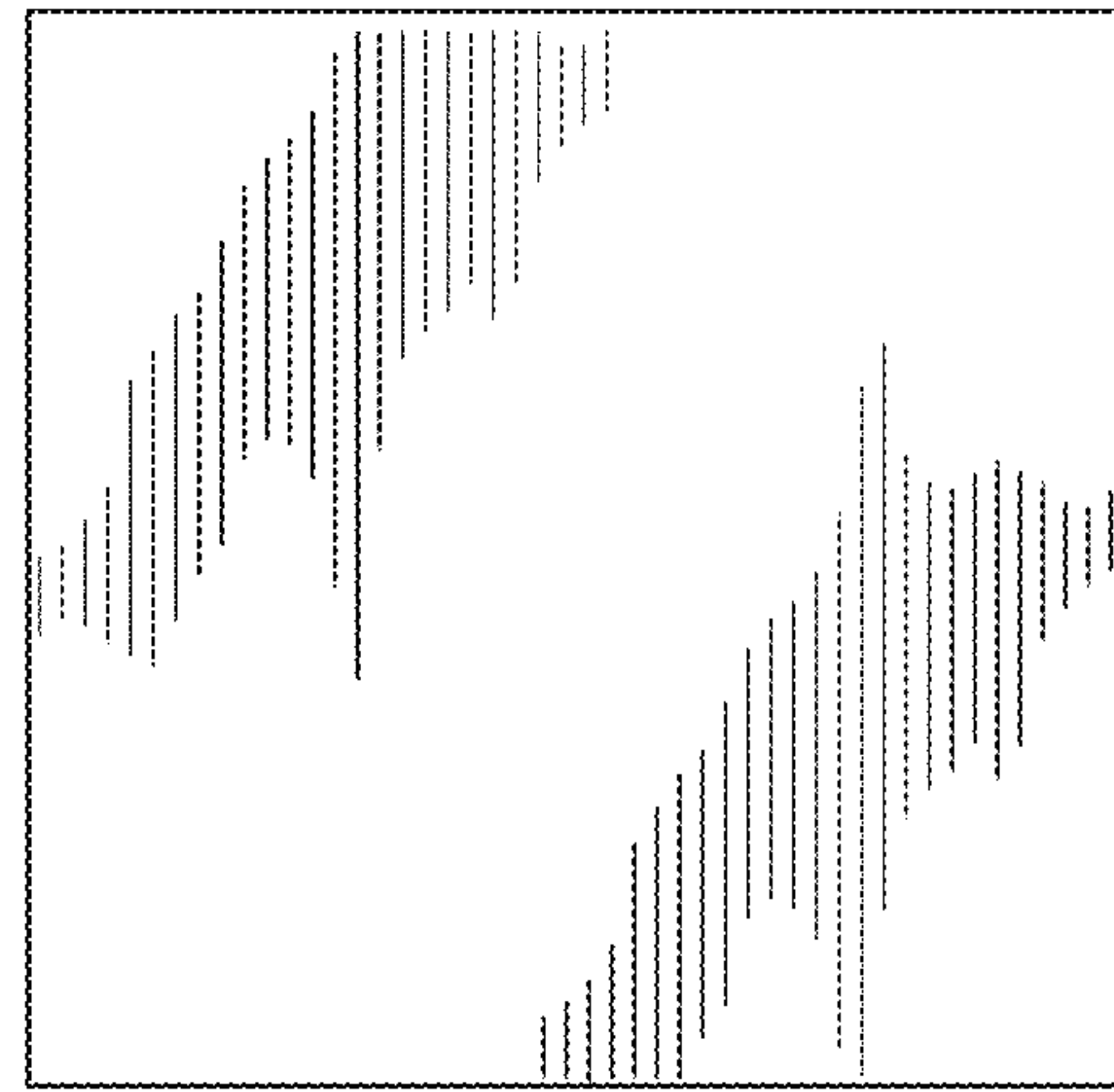


FIG. 4

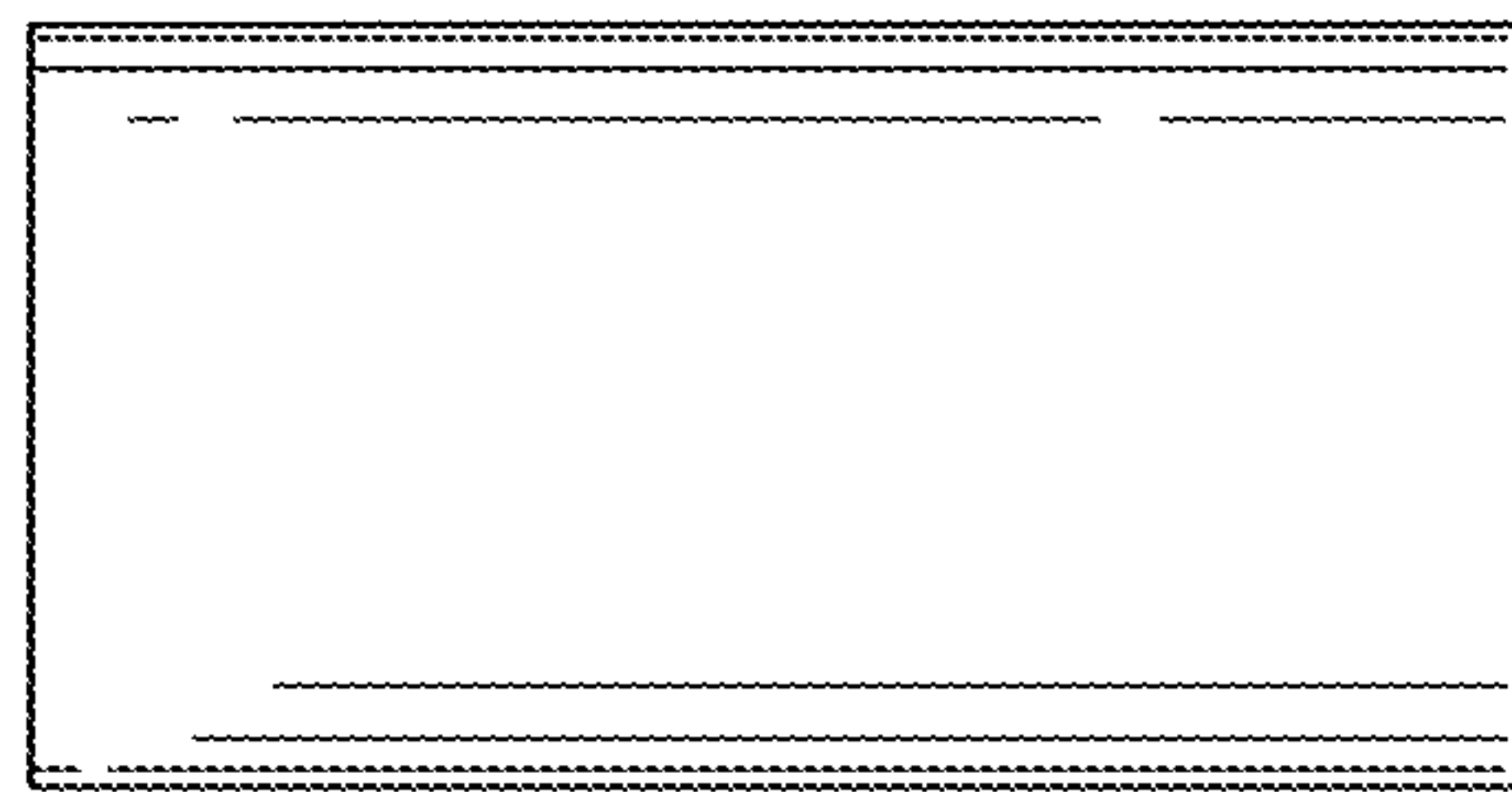


FIG. 5

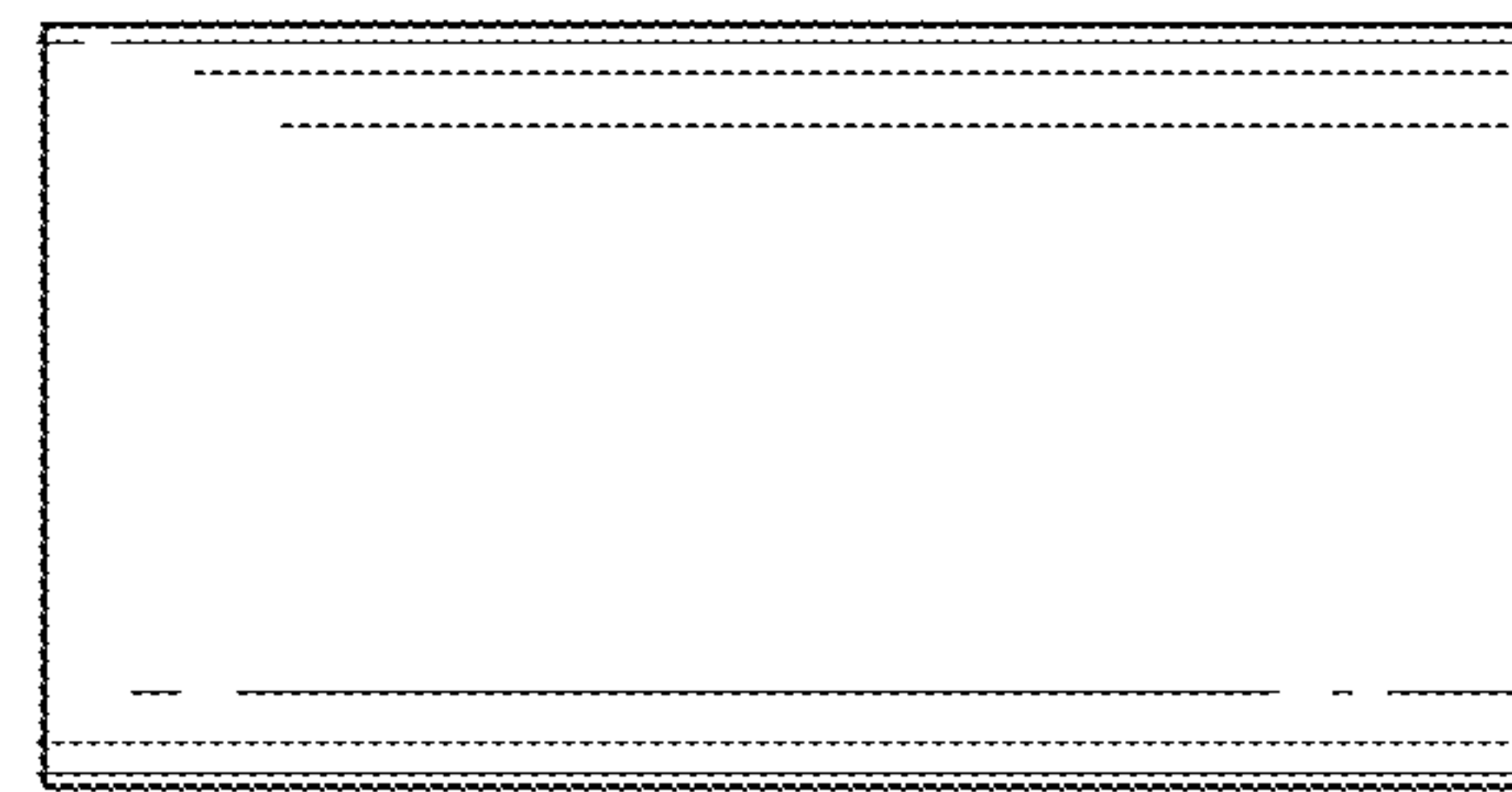


FIG. 6

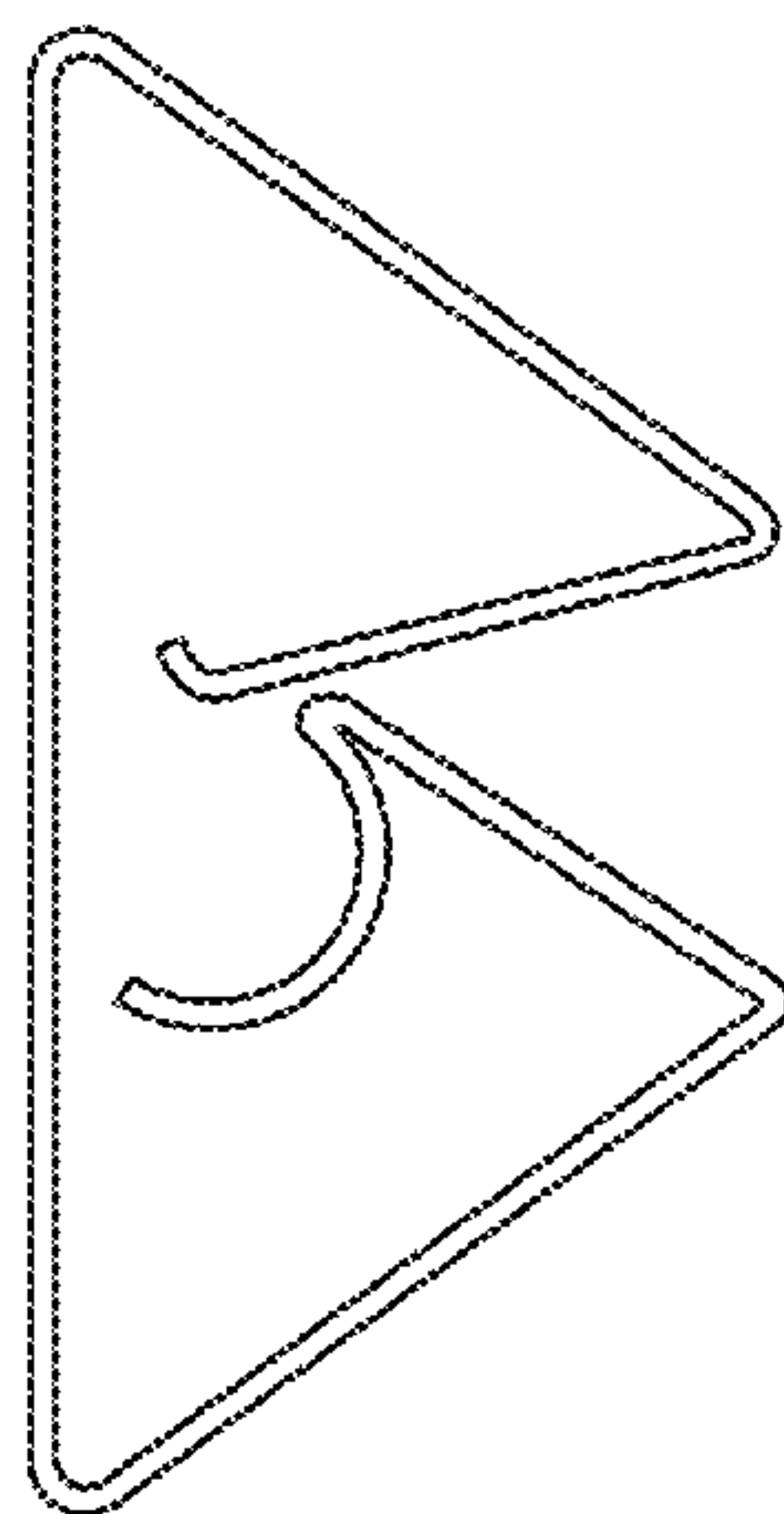


FIG. 7

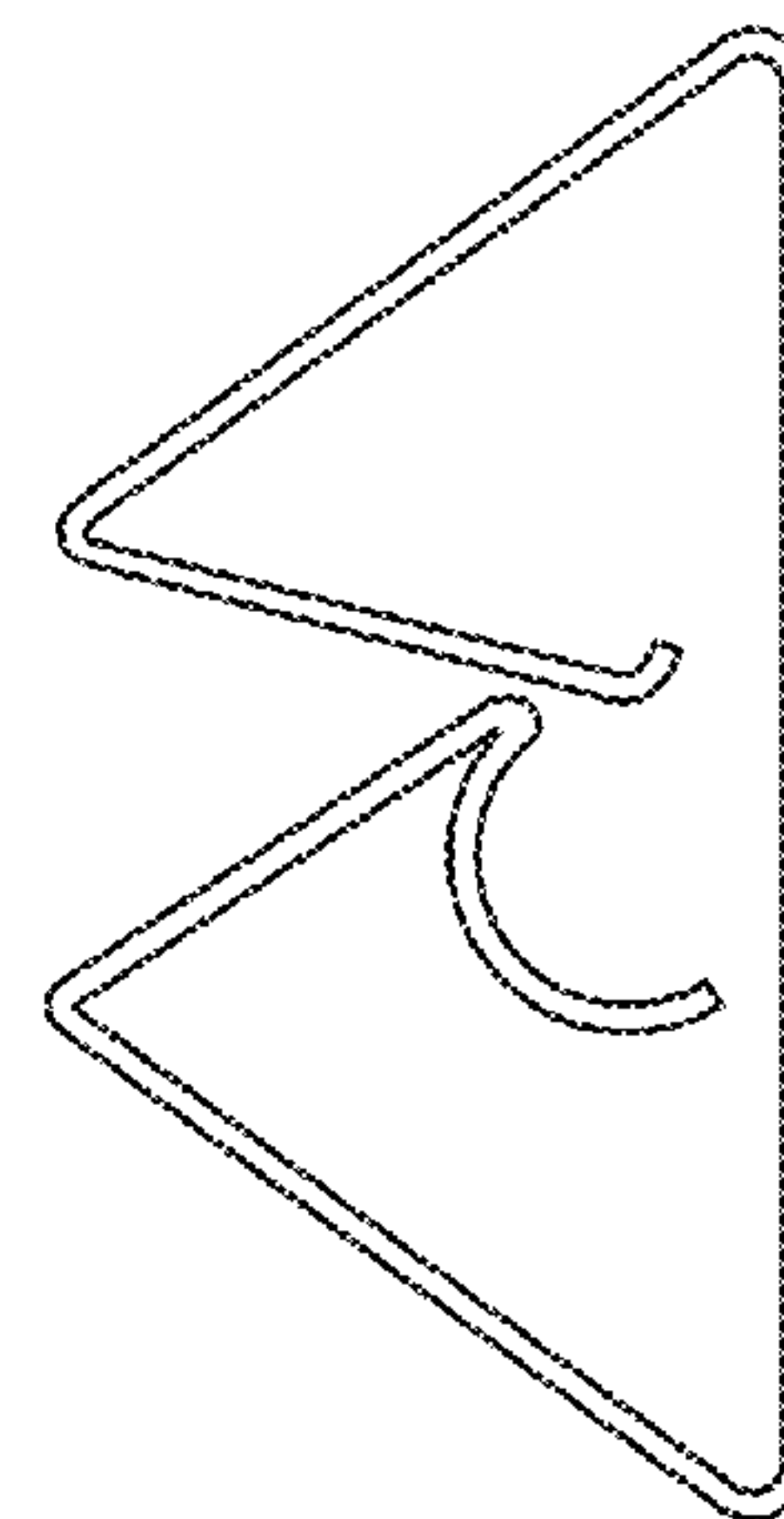


FIG. 8

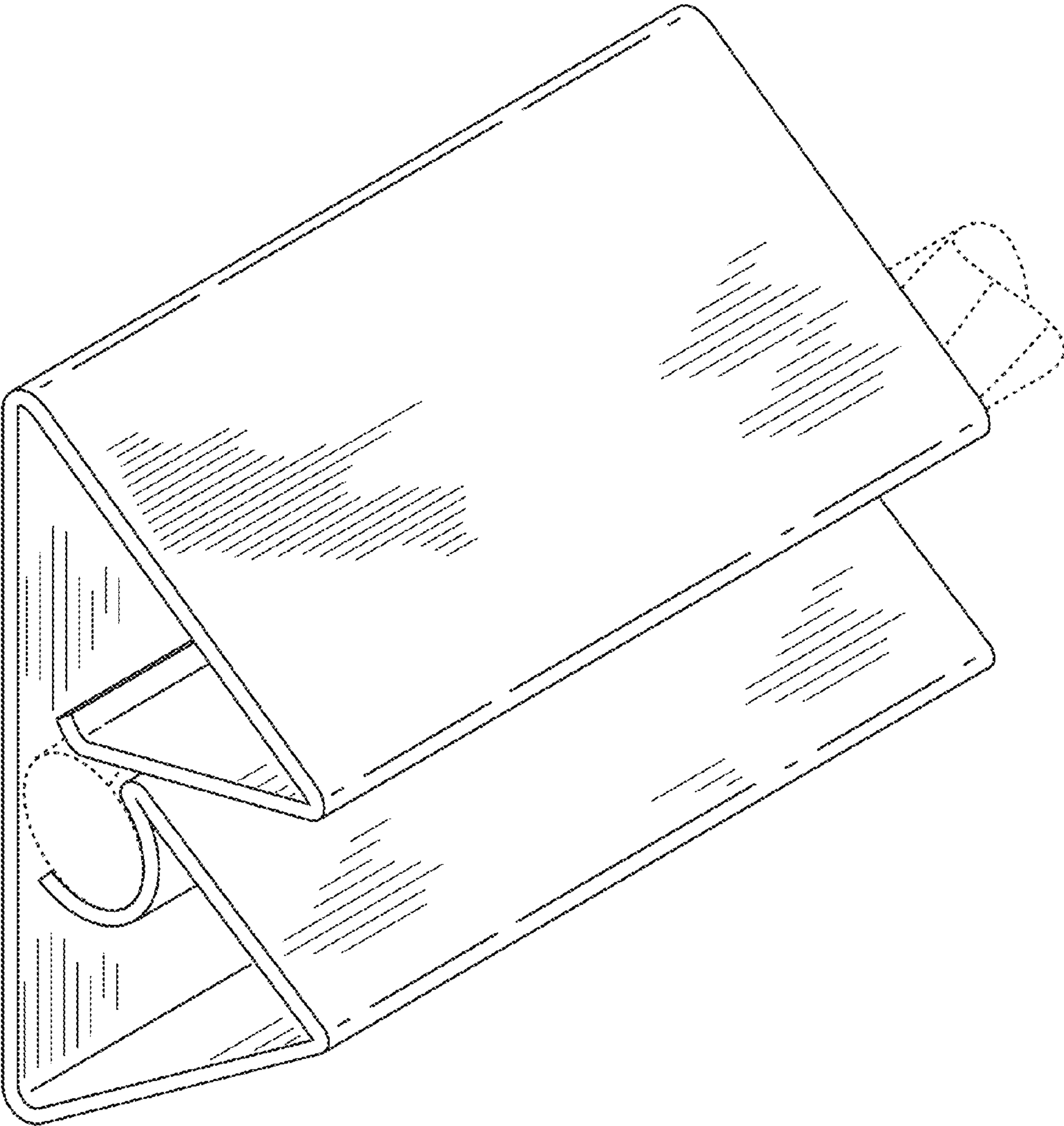


FIG. 9