



US00D762454S

(12) **United States Design Patent**  
**Thouement et al.**

(10) **Patent No.:** **US D762,454 S**

(45) **Date of Patent:** **\*\* Aug. 2, 2016**

(54) **ROTATION WHEEL EXTENSION**

(71) Applicant: **KARL STORZ GmbH & Co. KG**,  
Tuttlingen (DE)

(72) Inventors: **Yann Thouement**, Les Essarts le Roi  
(FR); **Martin Blocher**, Stockbach (DE)

(73) Assignee: **KARL STORZ GmbH & Co. KG**,  
Tuttlingen (DE)

(\*\*) Term: **14 Years**

(21) Appl. No.: **29/514,380**

(22) Filed: **Jan. 12, 2015**

(30) **Foreign Application Priority Data**

Jul. 11, 2014 (EM) ..... 002501155-0001

(51) **LOC (10) Cl.** ..... **08-08**

(52) **U.S. Cl.**  
USPC ..... **D8/349**

(58) **Field of Classification Search**  
USPC ..... D8/300, 313, 314, 316, 321, 330, 343,  
D8/349, 354, 382, 397-400, 499;  
D23/249, 250, 252, 303, 499;  
D24/127, 137, 138, 231  
CPC ..... A61B 17/00; A61B 17/32; A61B 18/00;  
A61B 18/04; A61B 18/19  
See application file for complete search history.

(56) **References Cited**

**U.S. PATENT DOCUMENTS**

D393,589 S \* 4/1998 Berti ..... D8/398  
D484,594 S \* 12/2003 Hayamizu ..... D24/138  
D558,306 S \* 12/2007 McCluskey ..... D23/264  
D559,775 S \* 1/2008 Liukkula ..... D12/608  
D620,108 S \* 7/2010 Eitenmueller ..... D24/133  
D624,646 S \* 9/2010 Peschke ..... D24/133

D632,786 S \* 2/2011 Risoli ..... D24/133  
D661,798 S \* 6/2012 Besse ..... D24/133  
D667,553 S \* 9/2012 Solingen ..... D24/143  
8,262,038 B1 \* 9/2012 Hallet ..... A47B 91/022  
248/188.2  
D668,762 S \* 10/2012 Makowski ..... D24/138  
D669,174 S \* 10/2012 Makowski ..... D24/138  
2012/0209255 A1 \* 8/2012 Blocher ..... A61B 17/29  
606/1

\* cited by examiner

*Primary Examiner* — Thomas Johannes

*Assistant Examiner* — Shawn T Gingrich

(74) *Attorney, Agent, or Firm* — Muncy, Geissler, Olds & Lowe, P.C.

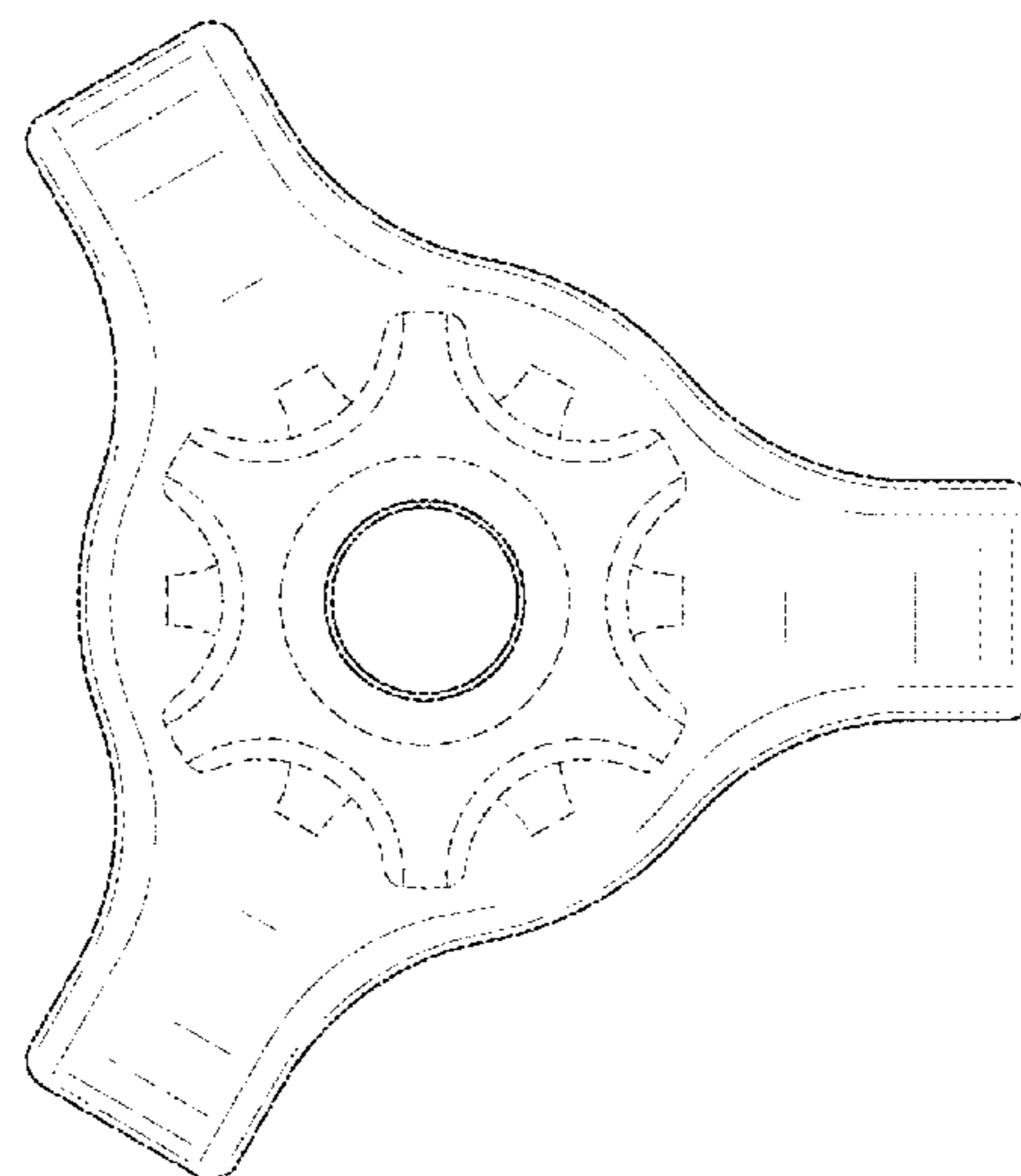
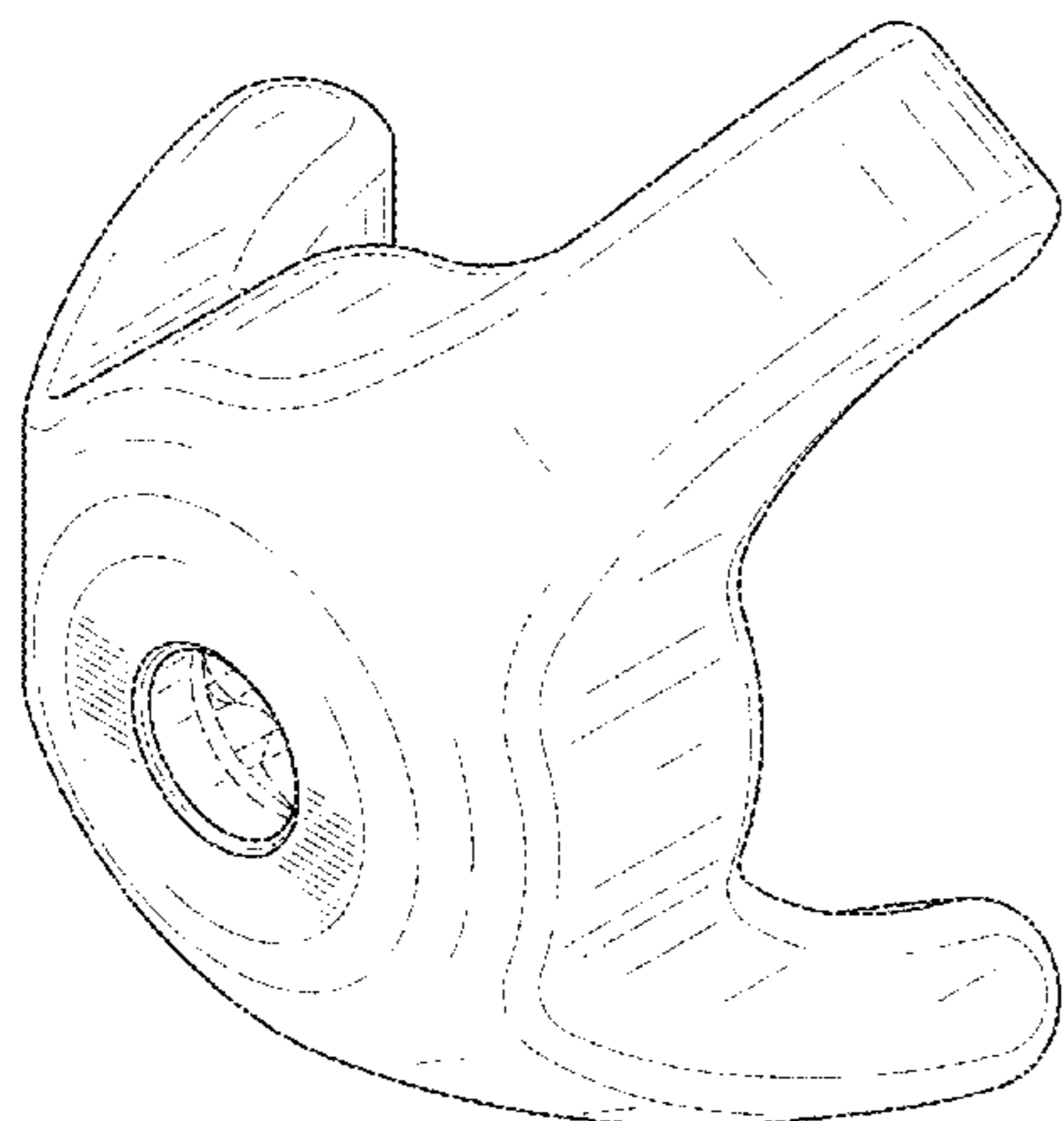
(57) **CLAIM**

The ornamental design for a rotation wheel extension, as shown and described.

**DESCRIPTION**

FIG. 1 is a front perspective view of a rotation wheel extension according to the present invention.  
FIG. 2 is a right side view of the rotation wheel extension of FIG. 1.  
FIG. 3 is a rear view of the rotation wheel extension of FIG. 1.  
FIG. 4 is a left side view of the rotation wheel extension of FIG. 1.  
FIG. 5 is a front view of the rotation wheel extension of FIG. 1.  
FIG. 6 is a top view of the rotation wheel extension of FIG. 1; and,  
FIG. 7 is a bottom view of the rotation wheel extension of FIG. 1.  
The dashed lines illustrate environment that does not form a part of the present invention, and no claim is made to the material illustrated with dashed lines.

**1 Claim, 7 Drawing Sheets**



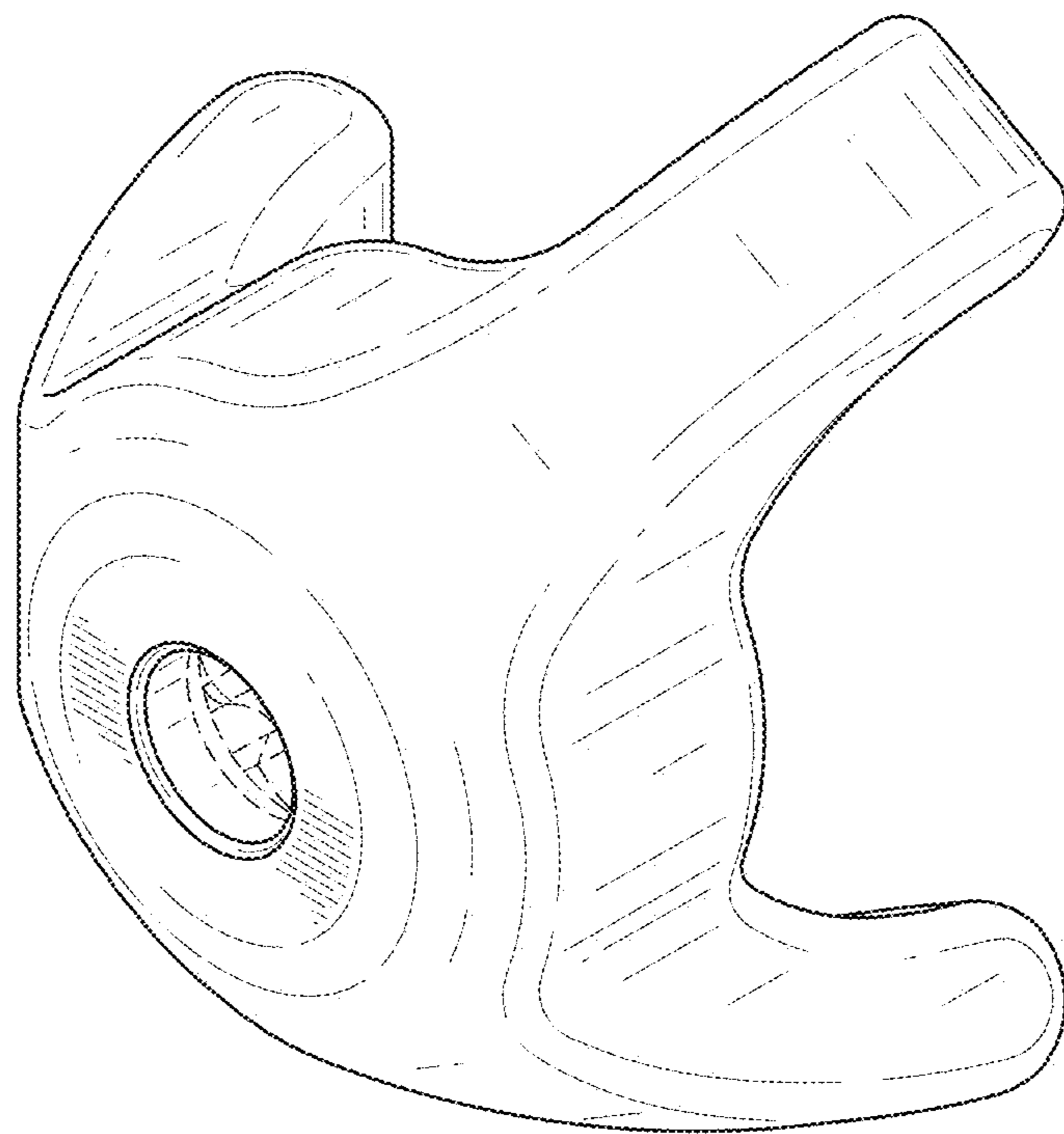


FIG. 1

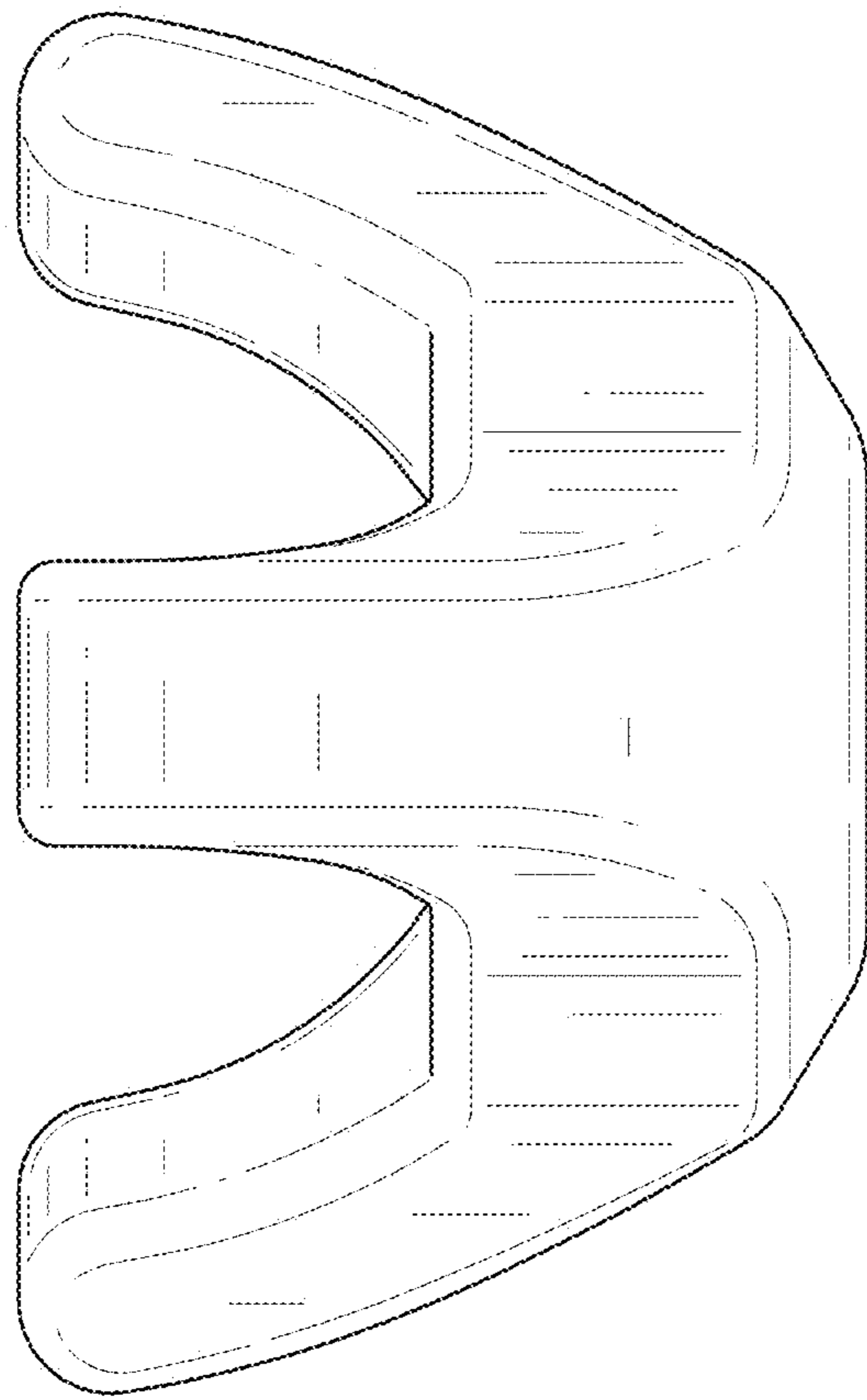


FIG.2

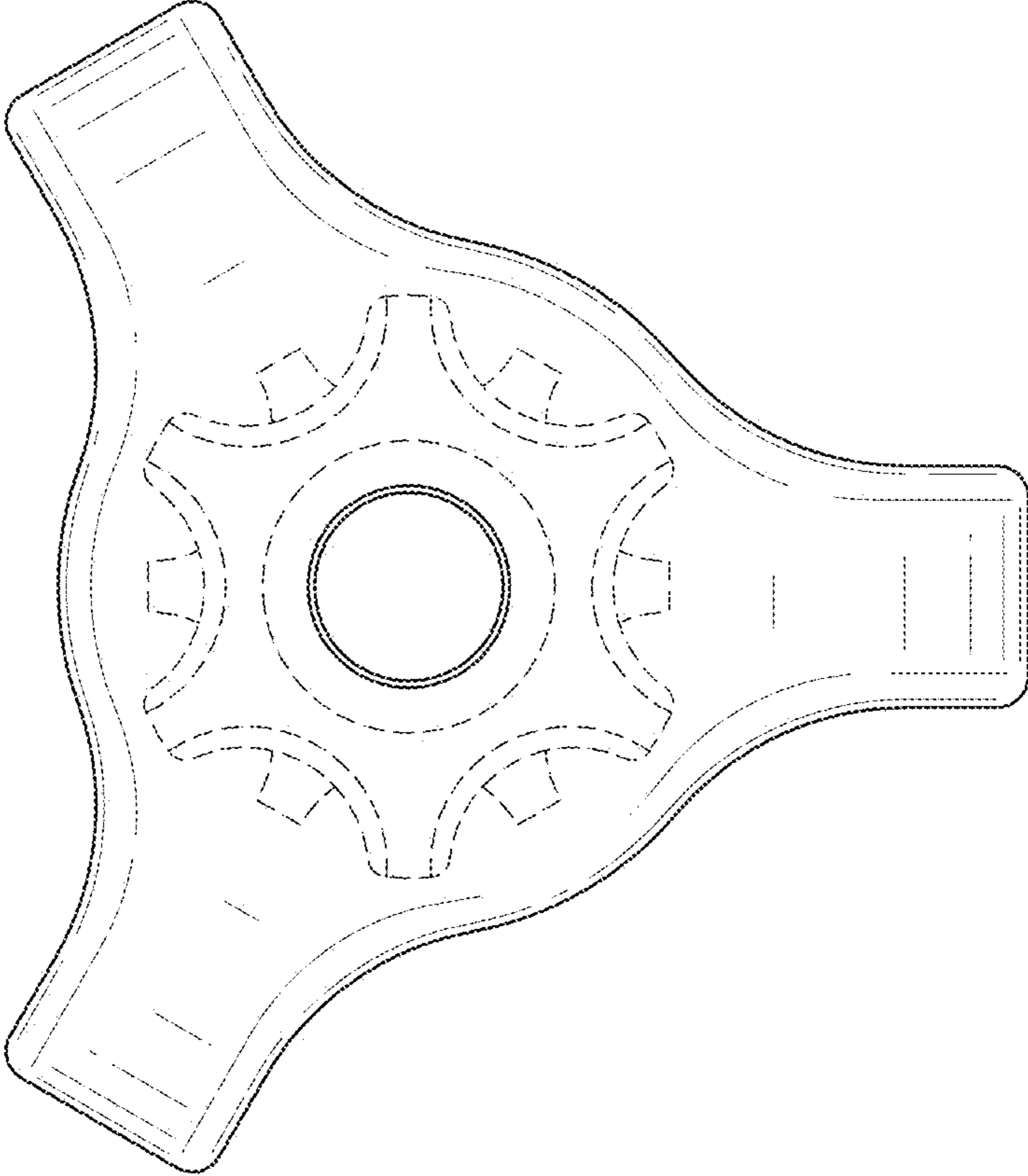


FIG.3

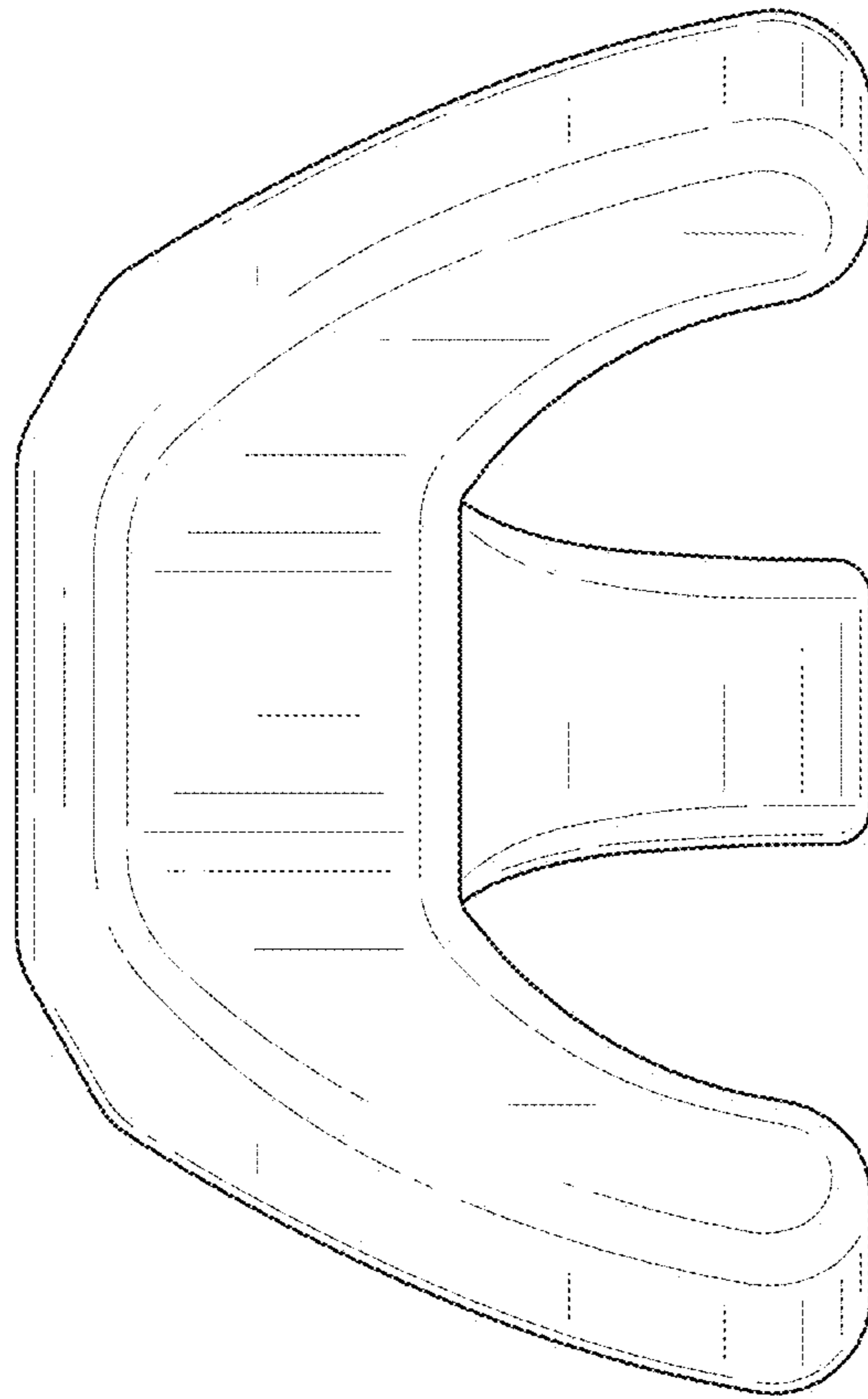


FIG.4

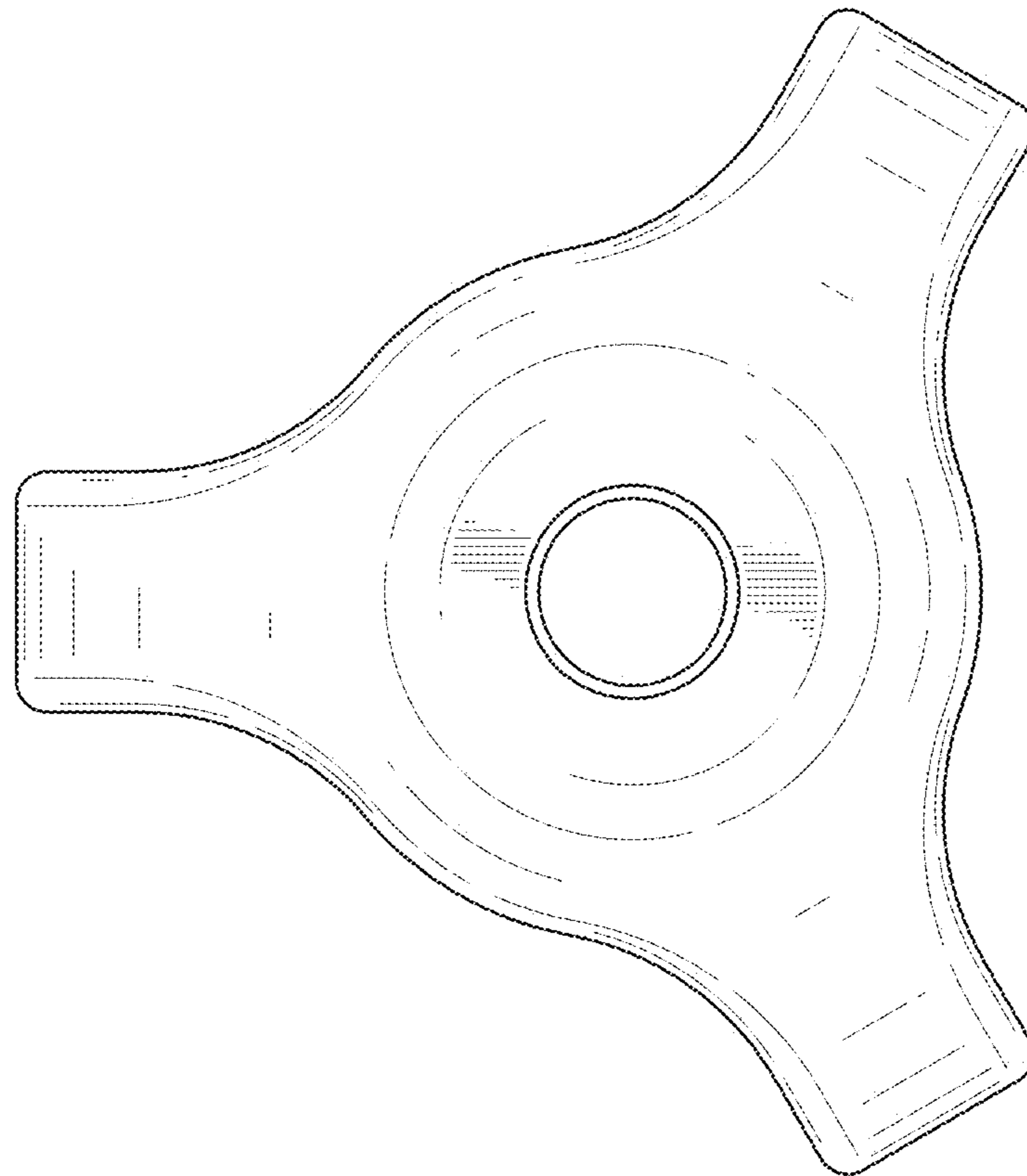


FIG.5

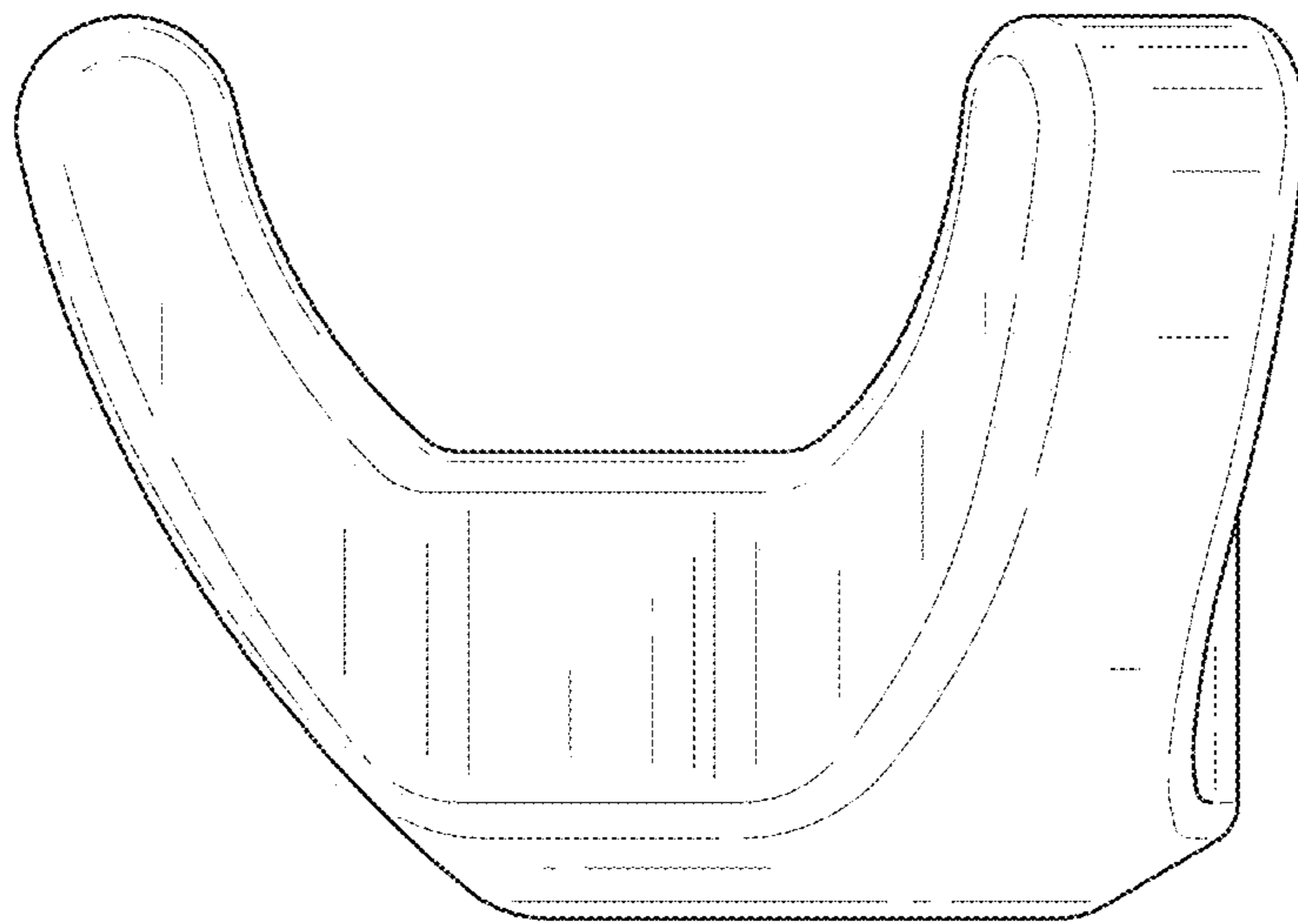


FIG.6

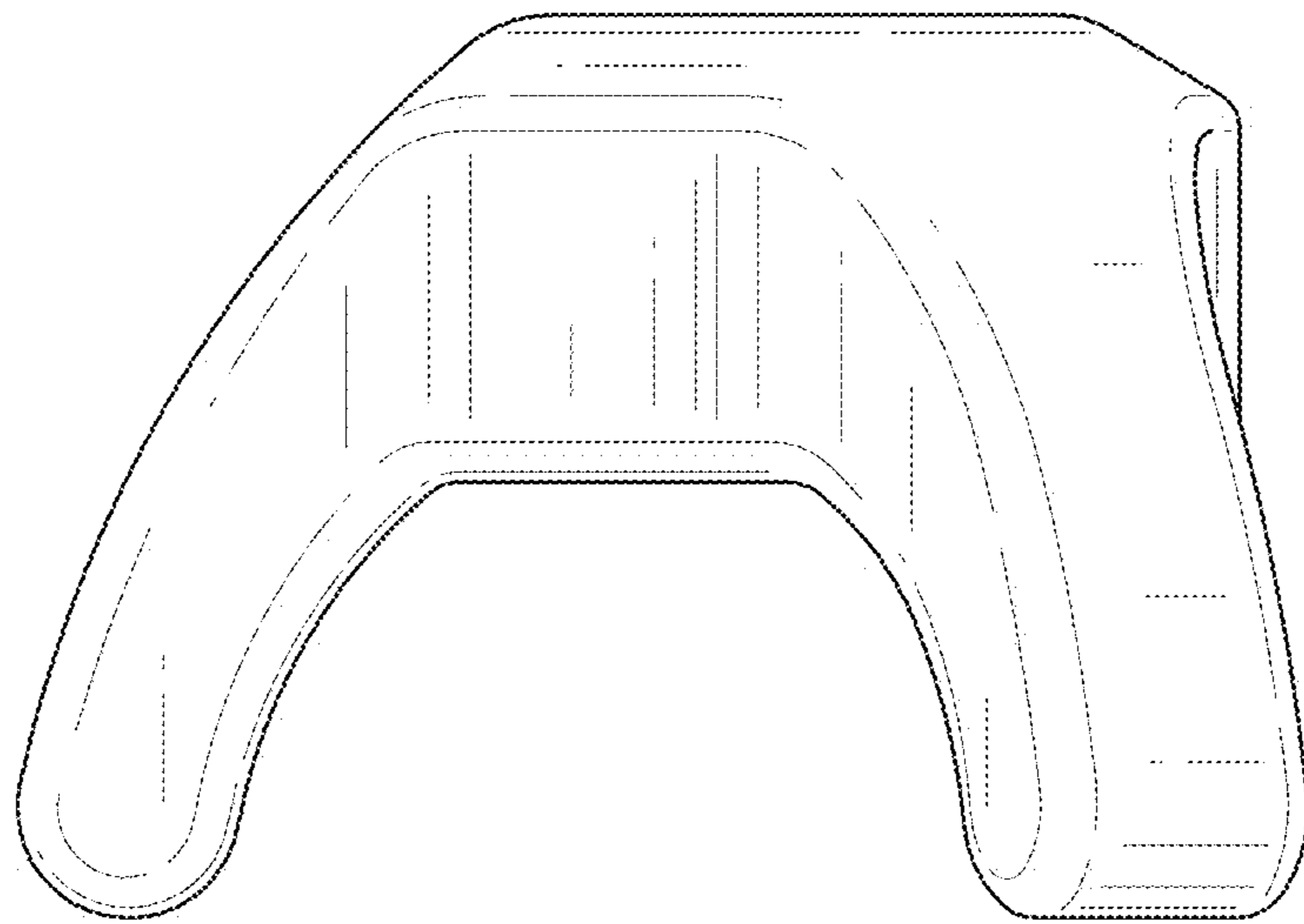


FIG.7