



US00D762453S

(12) **United States Design Patent**
Webb et al.

(10) **Patent No.:** **US D762,453 S**
(45) **Date of Patent:** **** Aug. 2, 2016**

- (54) **WEARABLE KEY FOB CUFF**
- (71) Applicant: **DENSO International America, Inc.**,
Southfield, MI (US)
- (72) Inventors: **Gareth Webb**, Farmington, MI (US);
Michael Lozano, Detroit, MI (US)
- (73) Assignee: **DENSO CORPORATION**, Kariya (JP)
- (**) Term: **14 Years**
- (21) Appl. No.: **29/526,065**
- (22) Filed: **May 6, 2015**
- (51) **LOC (10) Cl.** **08-07**
- (52) **U.S. Cl.**
USPC **D8/347**
- (58) **Field of Classification Search**
USPC D8/347, 348; 70/51, 336, 344, 348,
70/391, 393, 402, 408, 416, 429, 430, 447,
70/456 R, 262, 453–460; D3/207–212
CPC E05B 19/00; E05B 19/20; E05B 13/00;
E05B 11/00; E05B 19/04; A44B 15/005;
H04W 4/00; H04W 12/00; H04W 12/04;
H04W 12/06; H04W 12/08
See application file for complete search history.

- 8,406,000 B2 * 3/2013 Zaitz G07C 9/00944
361/752
- D714,538 S * 10/2014 Bestard-Ribas D3/207
- 8,954,006 B2 * 2/2015 Alrabady H04W 12/06
455/41.1
- 9,002,356 B2 * 4/2015 Horn H04W 36/08
370/331
- 9,060,683 B2 * 6/2015 Tran A61B 5/0022
- D734,607 S * 7/2015 Leetz D3/207
- 9,143,938 B2 * 9/2015 Narendra H04W 12/06
- 9,215,592 B2 * 12/2015 Narendra H04W 12/06

* cited by examiner

Primary Examiner — Prabhakar Deshmukh

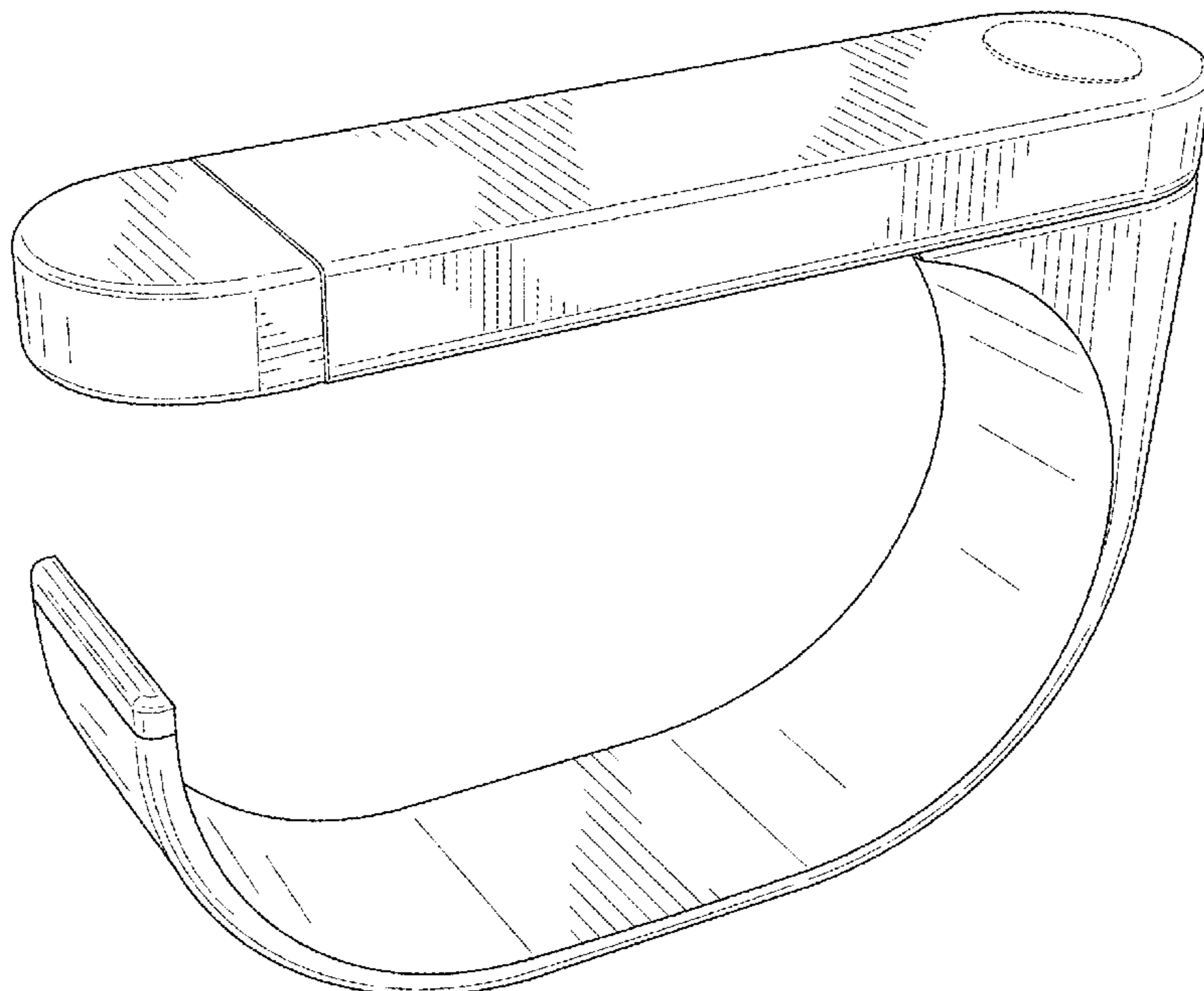
(57) **CLAIM**
The ornamental design for a wearable key fob cuff, as shown and described.

DESCRIPTION

FIG. 1 is a perspective view of a wearable key fob cuff showing our new design;
 FIG. 2 is an top view of the wearable key fob cuff shown in FIG. 1;
 FIG. 3 is a bottom view of the wearable key fob cuff shown in FIG. 1;
 FIG. 4 is a right view of the wearable key fob cuff shown in FIG. 1;
 FIG. 5 is a left view of the wearable key fob cuff shown in FIG. 1;
 FIG. 6 is a front view of the wearable key fob cuff shown in FIG. 1; and,
 FIG. 7 is a rear view of the wearable key fob cuff shown in FIG. 1.

- (56) **References Cited**
U.S. PATENT DOCUMENTS
D374,976 S * 10/1996 MacDonald D3/207
D531,009 S * 10/2006 Waldron D8/347
D676,650 S * 2/2013 Farris D3/207

1 Claim, 5 Drawing Sheets



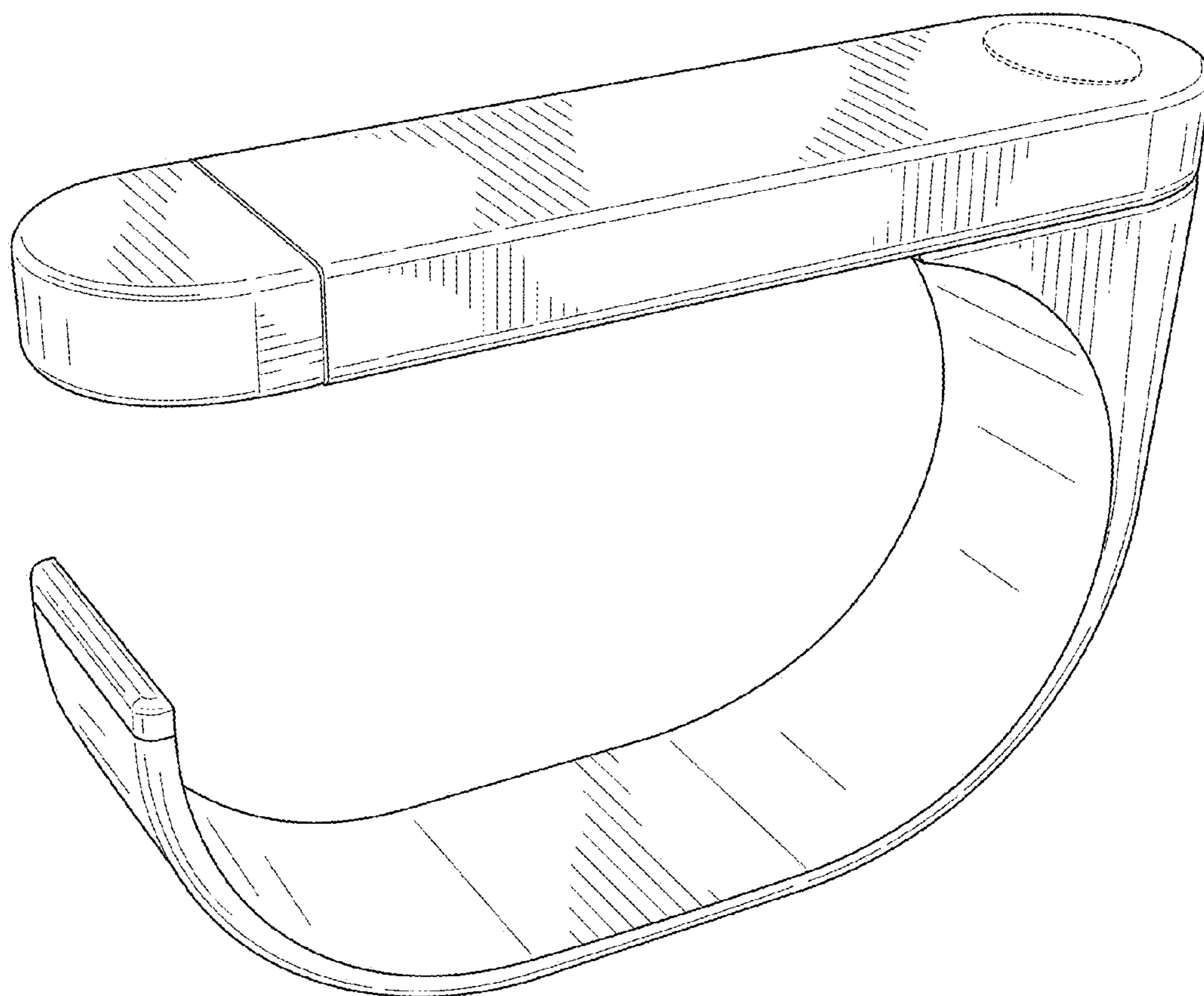


FIG. 1

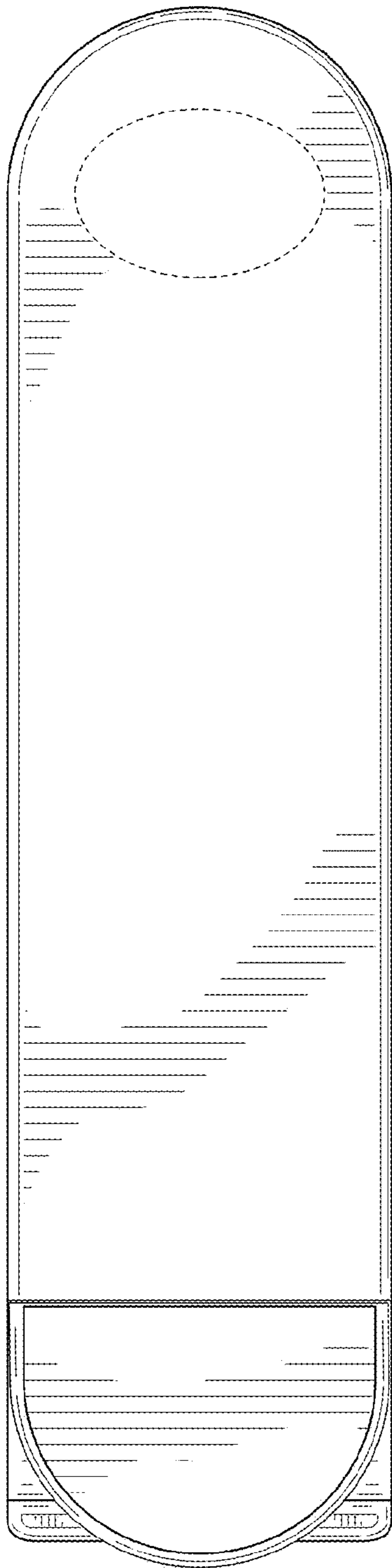


FIG. 2

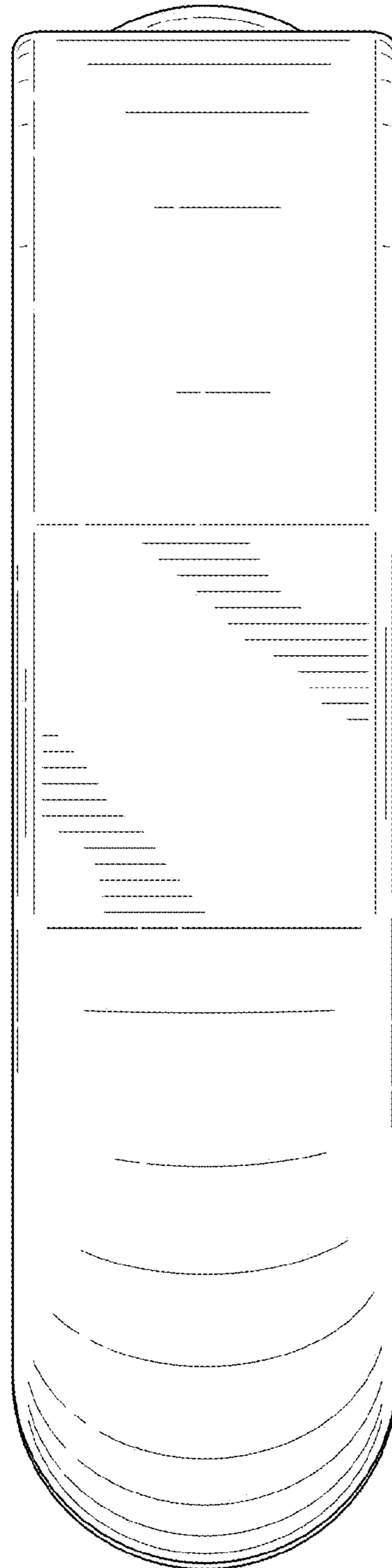


FIG. 3

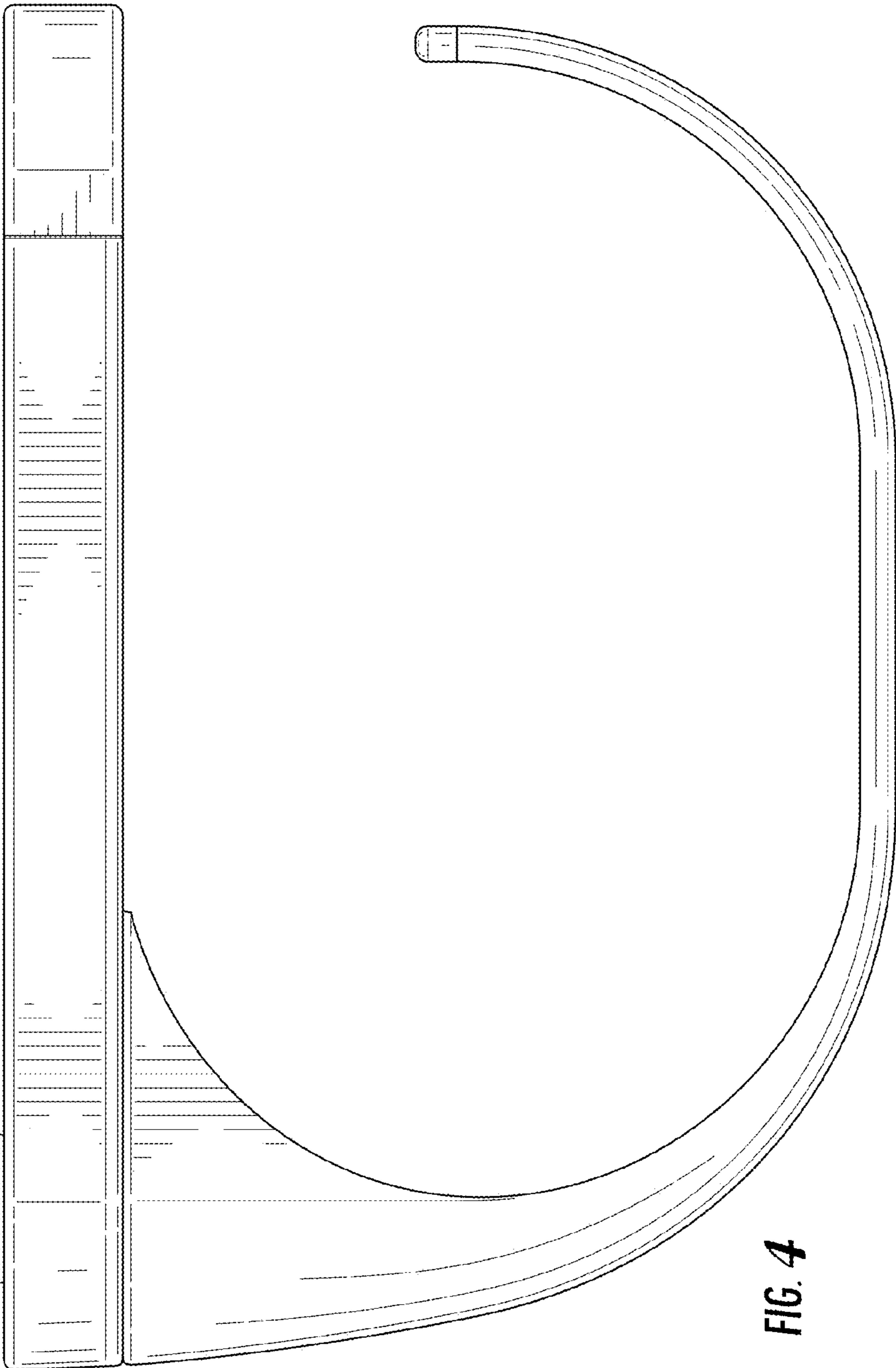


FIG. 4

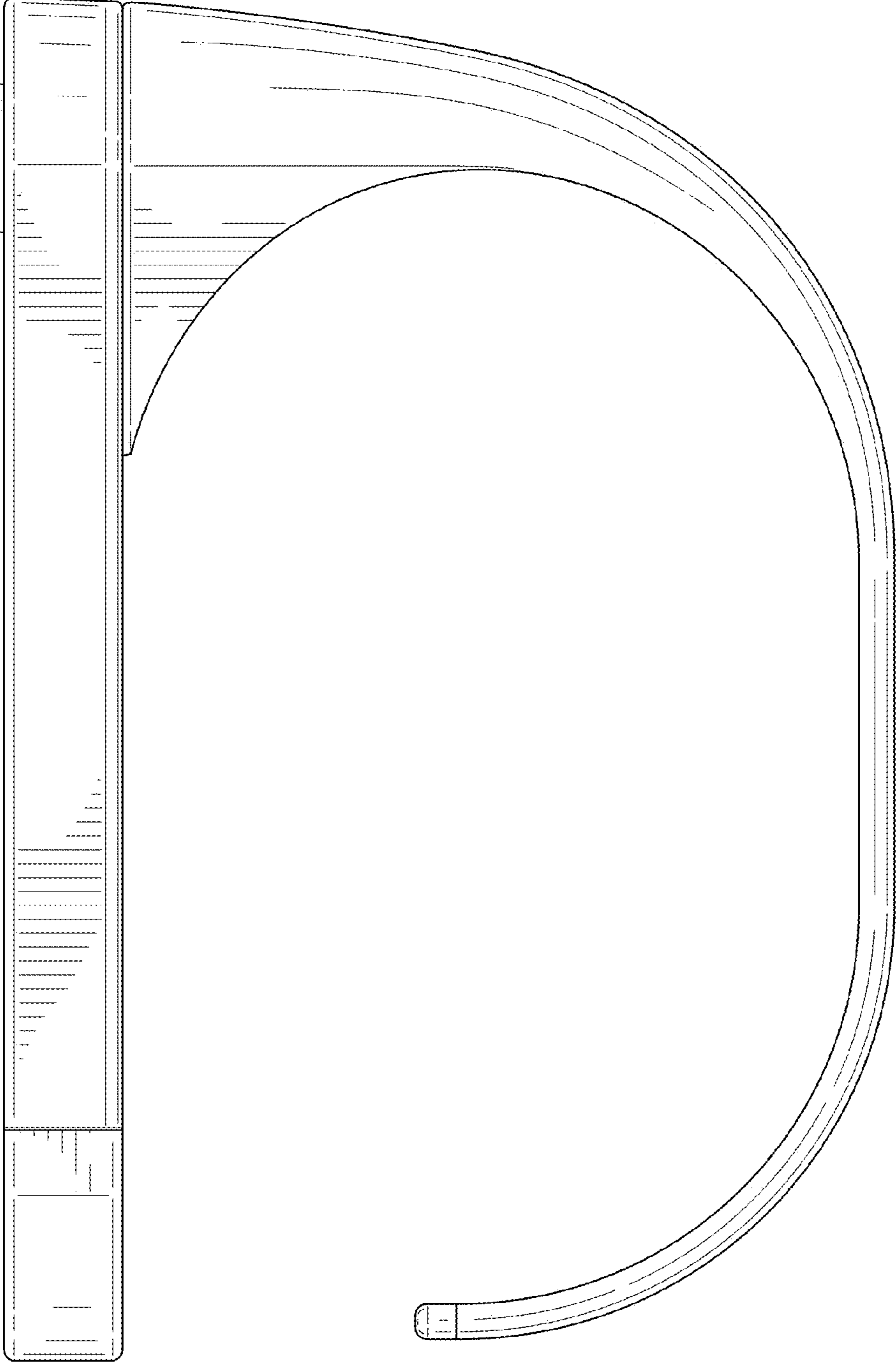


FIG. 5

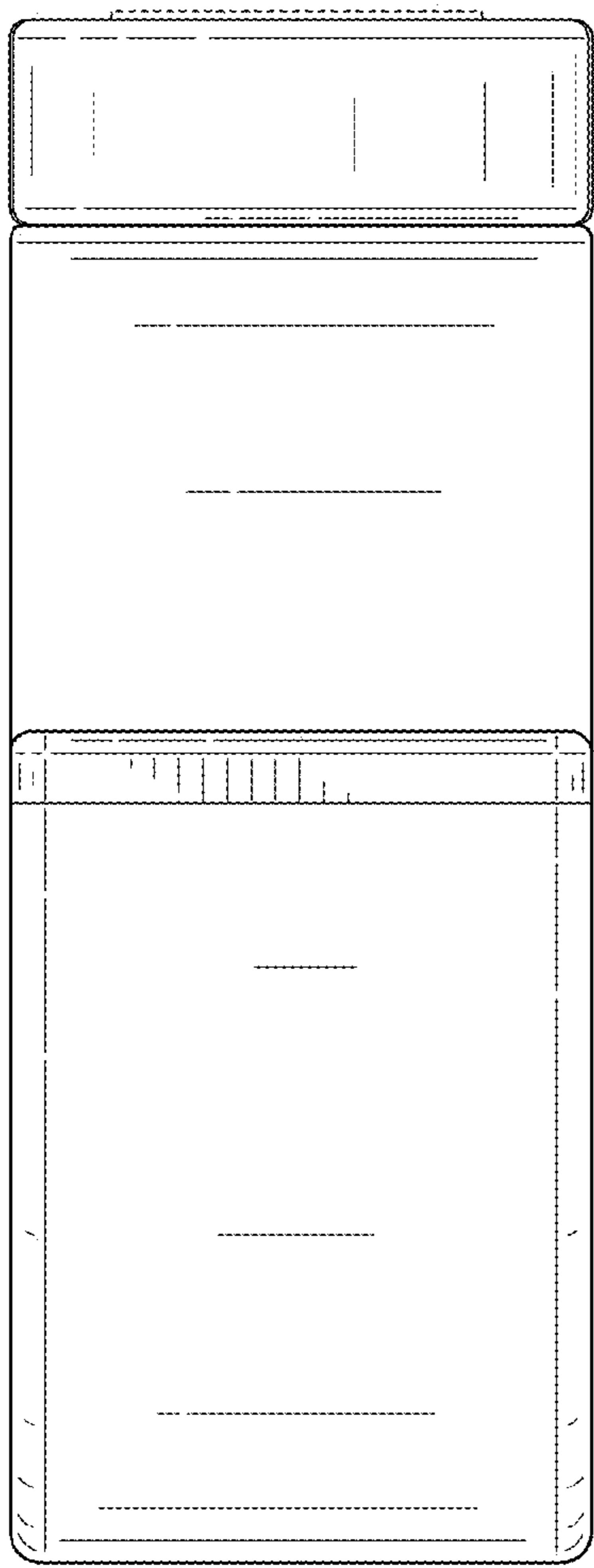


FIG. 6

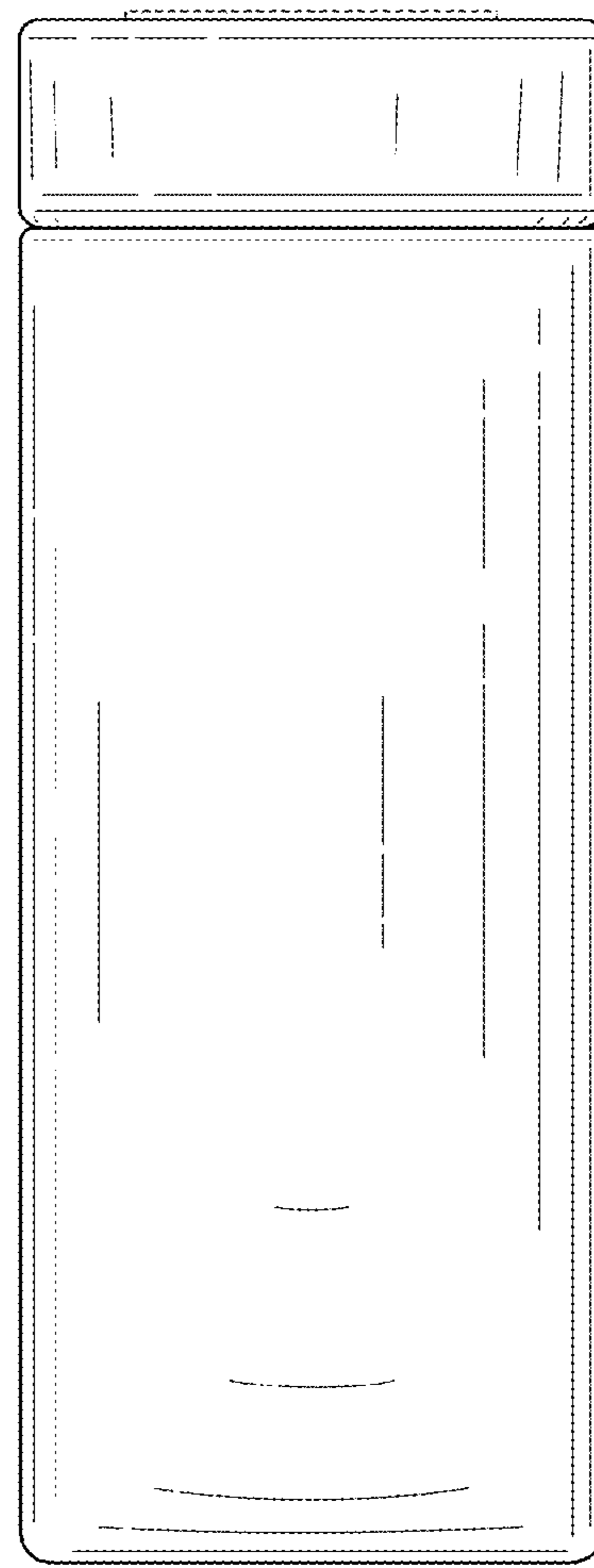


FIG. 7