



US00D762445S

(12) **United States Design Patent**  
**Thomson**

(10) **Patent No.:** **US D762,445 S**

(45) **Date of Patent:** **\*\* Aug. 2, 2016**

- (54) **LOCK LATCH**
- (71) Applicant: **IdeaStream Consumer Products, LLC**,  
Cleveland, OH (US)
- (72) Inventor: **Vincent J. Thomson**, Avon Lake, OH  
(US)
- (73) Assignee: **IdeaStream Consumer Products, LLC**,  
Cleveland, OH (US)
- (\*\*) Term: **14 Years**
- (21) Appl. No.: **29/519,071**
- (22) Filed: **Mar. 2, 2015**
- (51) **LOC (10) Cl.** ..... **08-07**
- (52) **U.S. Cl.**  
USPC ..... **D8/331; D8/343**
- (58) **Field of Classification Search**  
USPC ..... D8/330, 331, 341, 343, 301, 302,  
D8/336-338, 345; 70/14, 64-76, 141, 142,  
70/119, 111, 164, 240, DIG. 80, 79, 80,  
70/465, 466; 292/358, 359, 348, 256,  
292/256.5, 247, DIG. 31, DIG. 49, DIG. 63,  
292/5, 8, 11, 18, 109, DIG. 30, DIG. 42,  
292/DIG. 43, DIG. 68; D3/232, 900, 903;  
220/324, 833, 834; 190/900, 902, 10,  
190/19, 100; 206/6.1  
CPC ..... E05C 1/00; E05C 1/002; E05C 1/08;  
E05C 1/10; E05C 3/00; E05C 3/002; E05C  
3/12; E05C 3/16; E05C 19/08  
See application file for complete search history.

- 2,987,910 A \* 6/1961 Cho ..... E05B 29/002  
70/387
- D209,322 S \* 11/1967 Gehrie ..... D8/338
- 3,416,338 A \* 12/1968 Gehrie ..... E05B 37/02  
70/288
- 4,123,923 A \* 11/1978 Bako ..... E05B 37/02  
70/312
- D263,279 S \* 3/1982 Stolarz ..... D8/338
- 4,343,163 A \* 8/1982 Scelba ..... E05B 37/02  
70/312
- 4,385,509 A \* 5/1983 Milles ..... E05B 37/16  
70/304
- D270,425 S \* 9/1983 Stolarz ..... D8/341
- 4,790,156 A \* 12/1988 Yang ..... A44B 19/301  
24/386
- D314,083 S \* 1/1991 Hankinson ..... D3/274
- D324,809 S \* 3/1992 Gisiger ..... D8/331
- D351,331 S \* 10/1994 Kuo ..... D8/331

\* cited by examiner

*Primary Examiner* — Prabhakar Deshmukh

(74) *Attorney, Agent, or Firm* — Fay Sharpe LLP

(57) **CLAIM**

The ornamental design for a lock latch, as shown and described.

**DESCRIPTION**

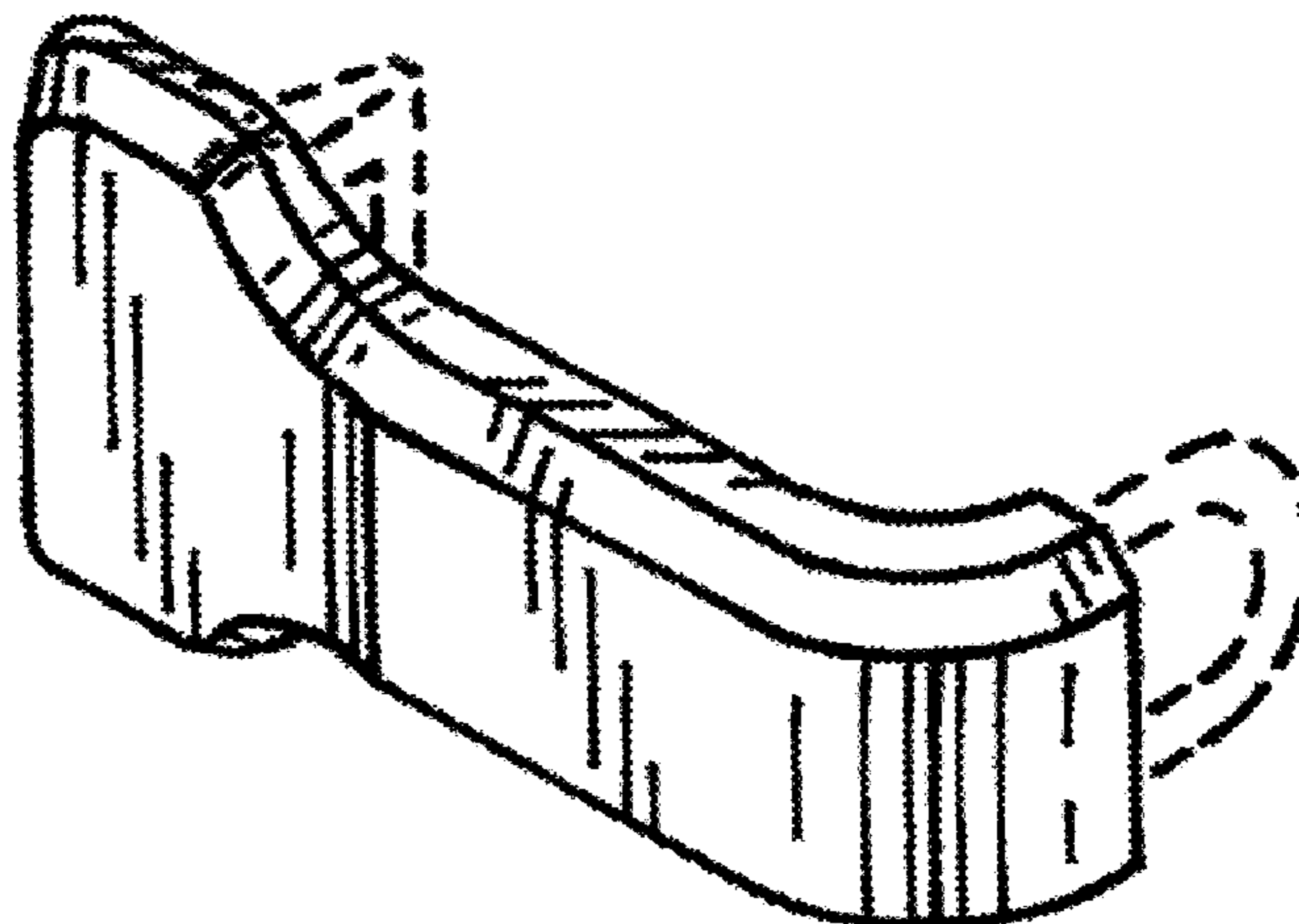
FIG. 1 is a top front and right perspective view of a lock latch showing my new design;  
 FIG. 2 is a top, rear and left perspective view thereof;  
 FIG. 3 is a right side elevational view thereof;  
 FIG. 4 is a front elevational view thereof; and,  
 FIG. 5 is a bottom elevational view thereof.  
 The broken lines indicate non-claimed portions and form no part of the claimed design.

**1 Claim, 1 Drawing Sheet**

(56) **References Cited**

**U.S. PATENT DOCUMENTS**

- 2,292,008 A \* 8/1942 Nelson ..... E05B 65/50  
70/74



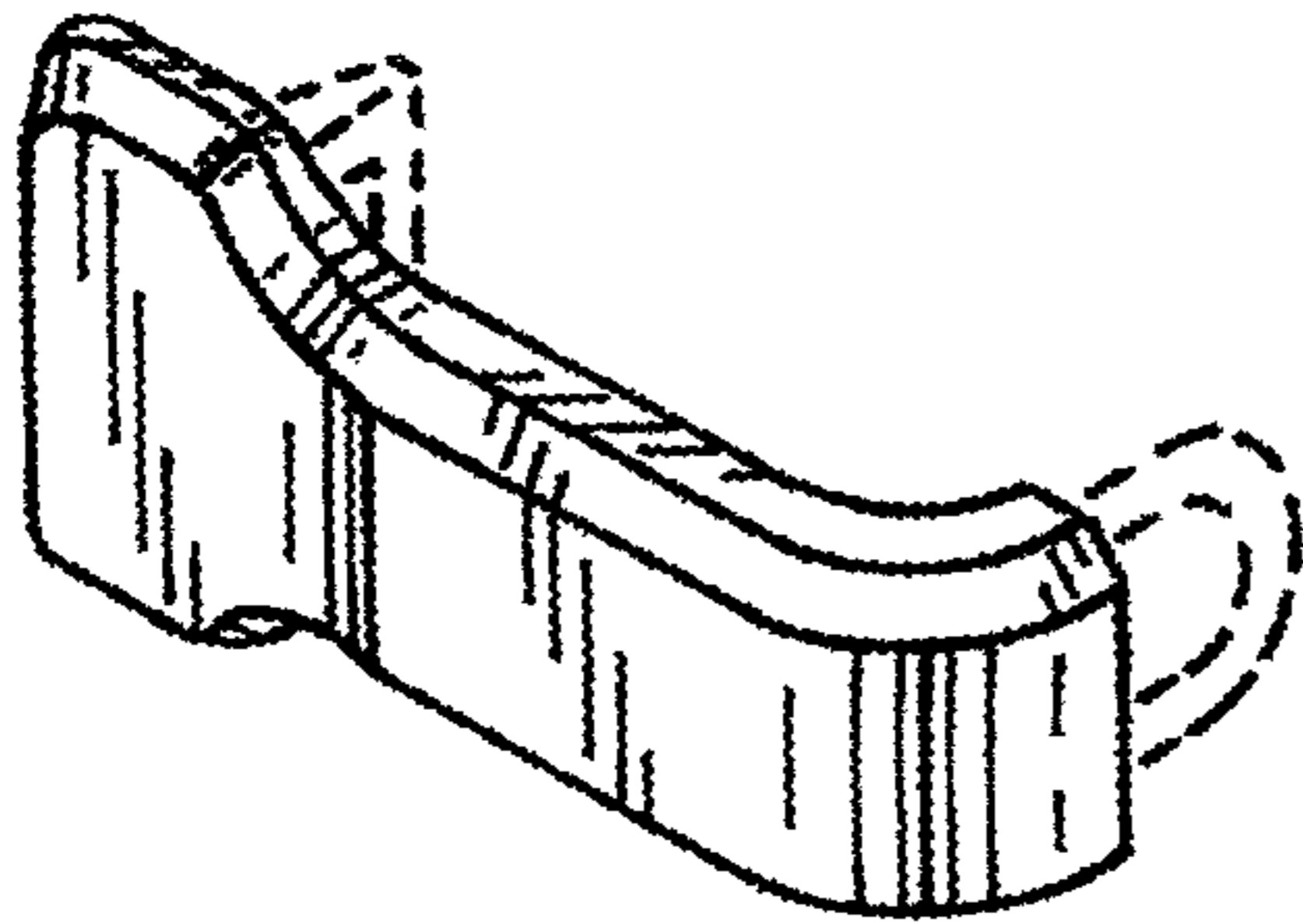


FIG. 1

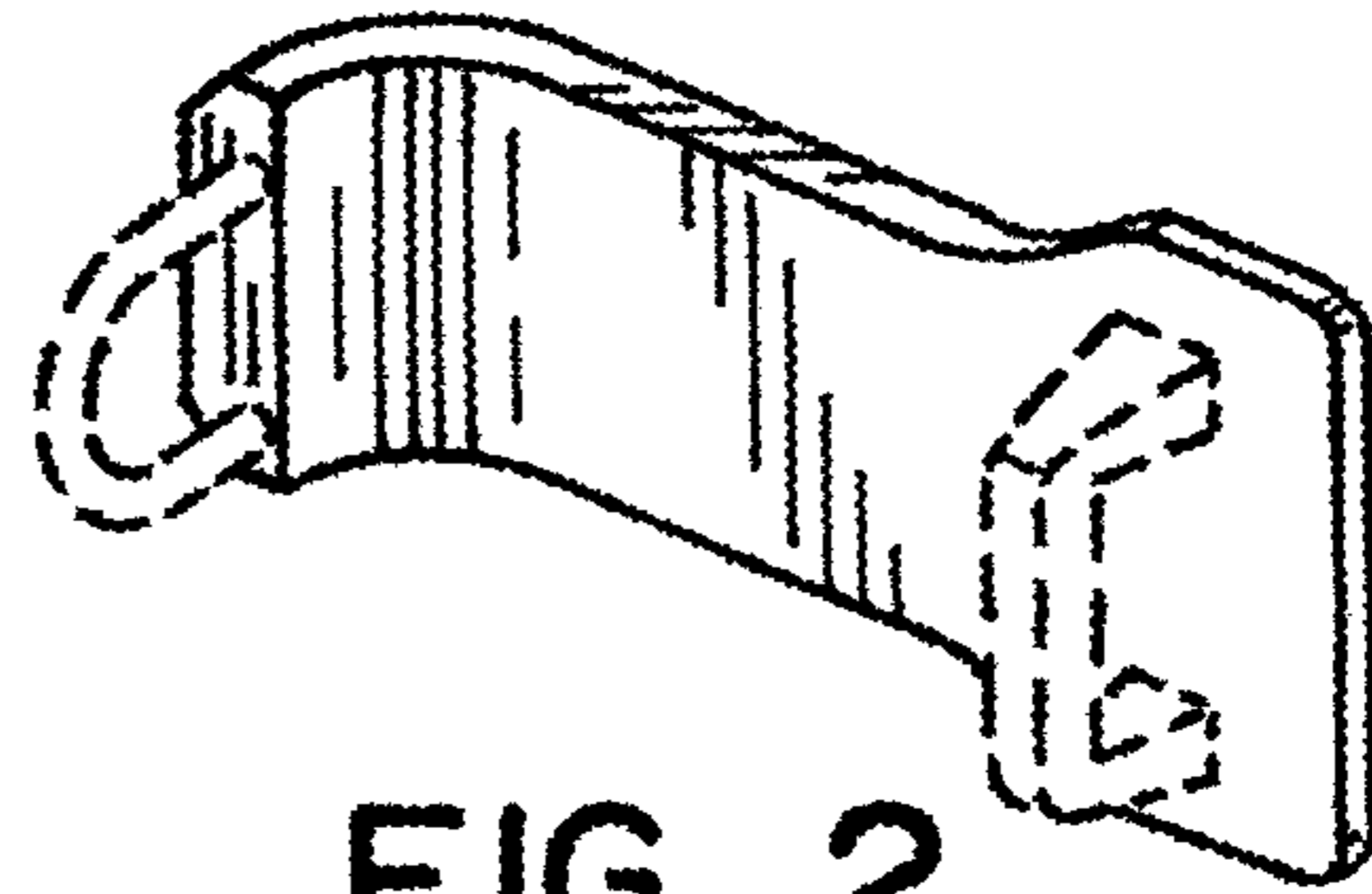


FIG. 2

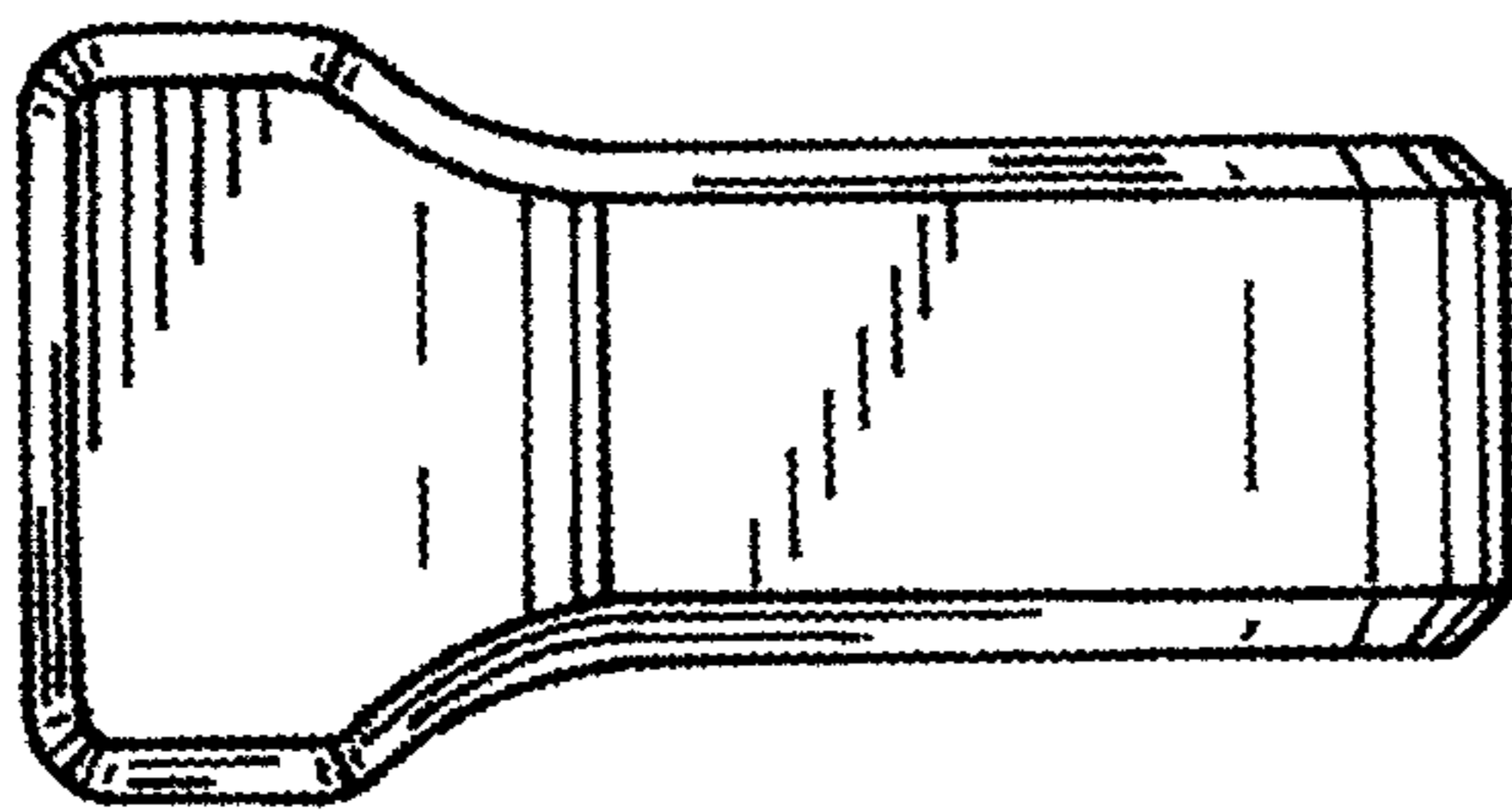


FIG. 4

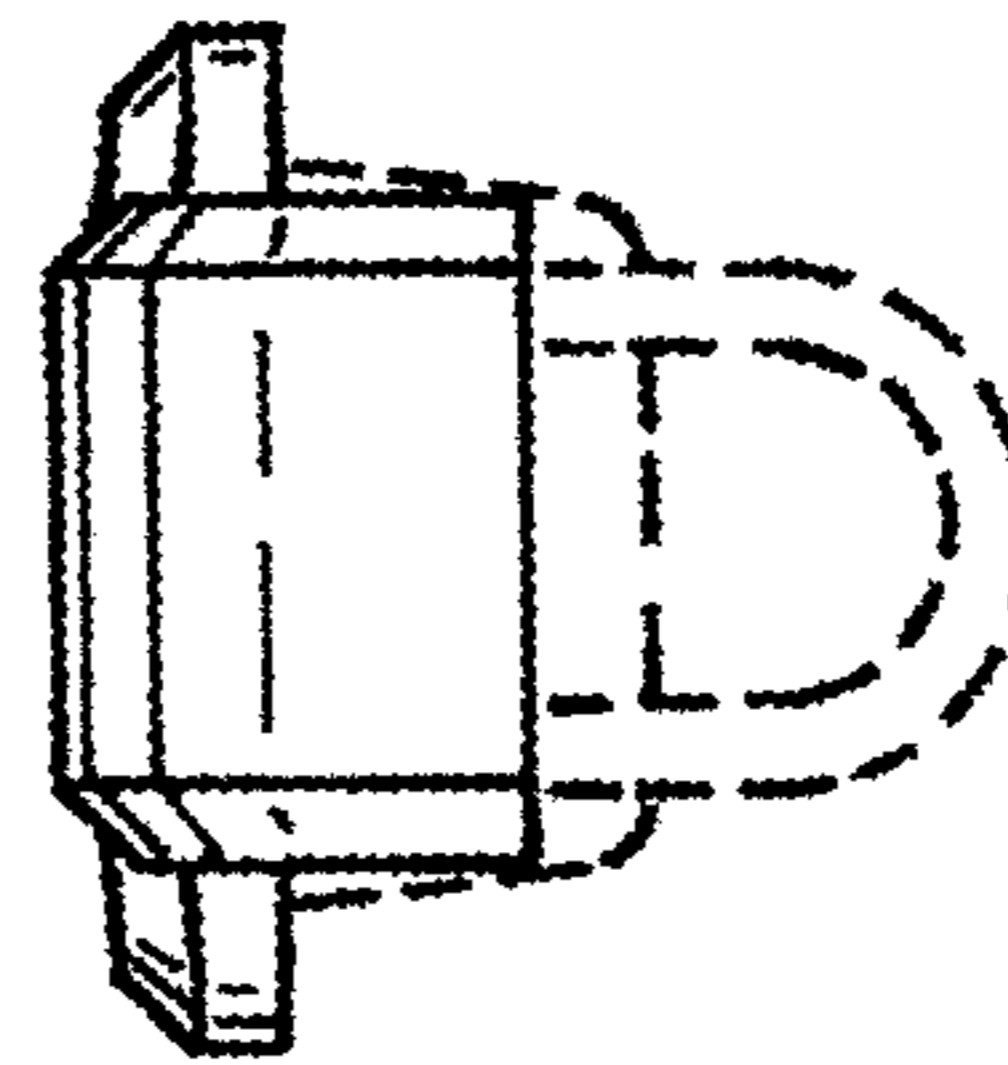


FIG. 3

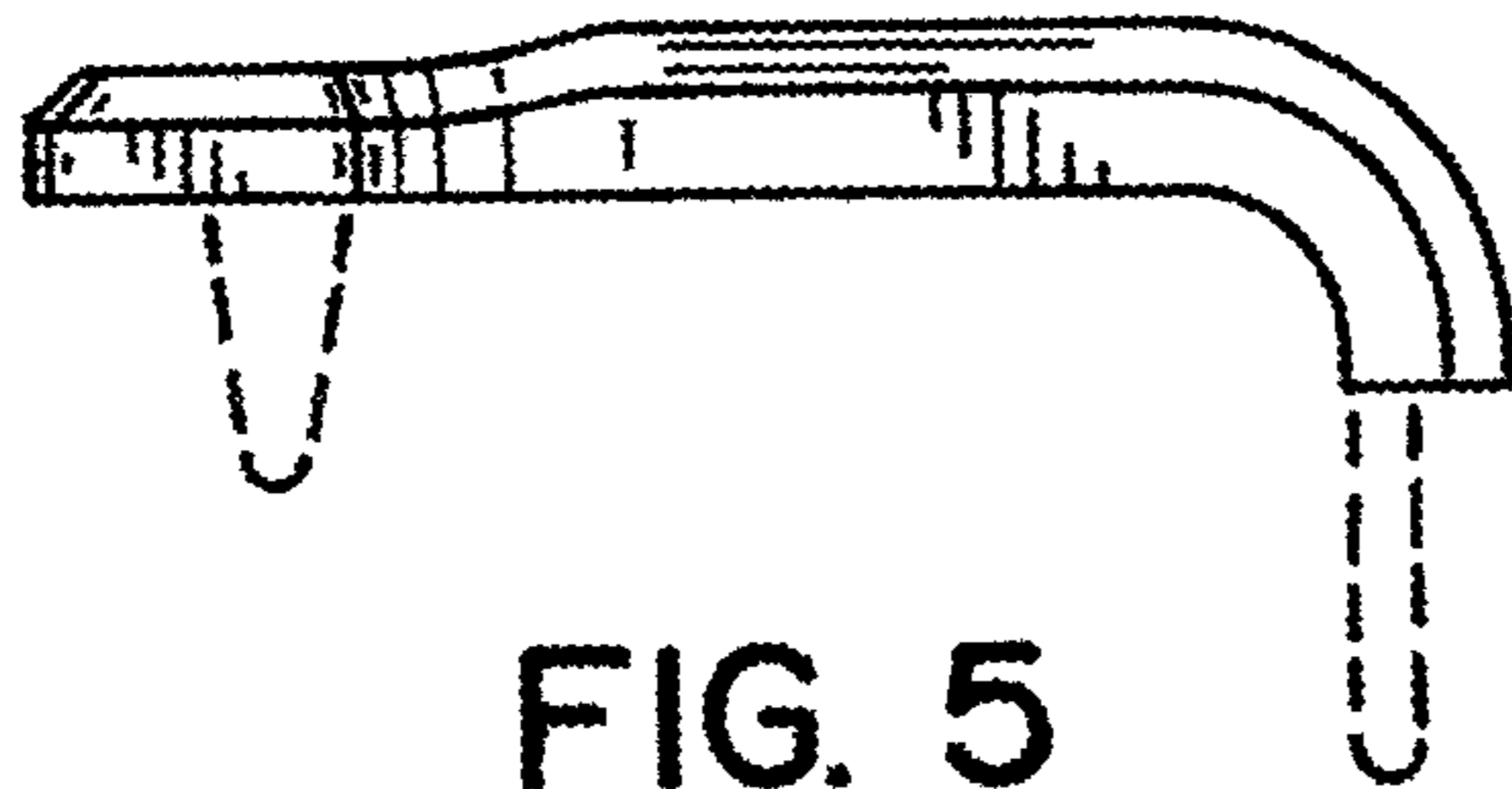


FIG. 5