

US00D762443S

(12) **United States Design Patent**
Thomson

(10) **Patent No.:** **US D762,443 S**

(45) **Date of Patent:** **** Aug. 2, 2016**

(54) **LOCK LATCH SYSTEM**
(71) Applicant: **IdeaStream Consumer Products, LLC**,
Cleveland, OH (US)
(72) Inventor: **Vincent J. Thomson**, Avon Lake, OH
(US)
(73) Assignee: **IdeaStream Consumer Products, LLC**,
Cleveland, OH (US)

(**) Term: **14 Years**

(21) Appl. No.: **29/519,063**

(22) Filed: **Mar. 2, 2015**

(51) **LOC (10) Cl.** **08-07**

(52) **U.S. Cl.**
USPC **D8/331; D8/343**

(58) **Field of Classification Search**
USPC D8/330, 331, 341, 343, 301, 302,
D8/336-338, 345; 70/14, 64-76, 141, 142,
70/119, 111, 164, 240, DIG. 80, 79, 80,
70/465, 466; 292/358, 359, 348, 256,
292/256.5, 247, DIG. 31, DIG. 49, DIG. 63,
292/5, 8, 11, 18, 109, DIG. 30, DIG. 42,
292/DIG. 43, DIG. 68; D3/232, 900, 903;
220/324, 833, 834; 190/900, 902, 10,
190/19, 100; 206/6.1
CPC E05C 1/00; E05C 1/002; E05C 1/08;
E05C 1/10; E05C 3/00; E05C 3/002; E05C
3/12; E05C 3/16; E05C 19/08
See application file for complete search history.

(56) **References Cited**

U.S. PATENT DOCUMENTS

2,292,008 A * 8/1942 Nelson E05B 65/50
70/74
2,987,910 A * 6/1961 Cho E05B 29/002
70/387
D209,322 S * 11/1967 Gehrie D8/338

3,416,338 A * 12/1968 Gehrie E05B 37/02
70/288
4,123,923 A * 11/1978 Bako E05B 37/02
70/312
D263,279 S * 3/1982 Stolarz D8/338
4,343,163 A * 8/1982 Scelba E05B 37/02
70/312
4,385,509 A * 5/1983 Milles E05B 37/16
70/304
D270,425 S * 9/1983 Stolarz D8/341
4,790,156 A * 12/1988 Yang A44B 19/301
24/386
D314,083 S * 1/1991 Hankinson D3/274
D324,809 S * 3/1992 Gisiger D8/331
D351,331 S * 10/1994 Kuo D8/331

* cited by examiner

Primary Examiner — Prabhakar Deshmukh

(74) *Attorney, Agent, or Firm* — Fay Sharpe LLP

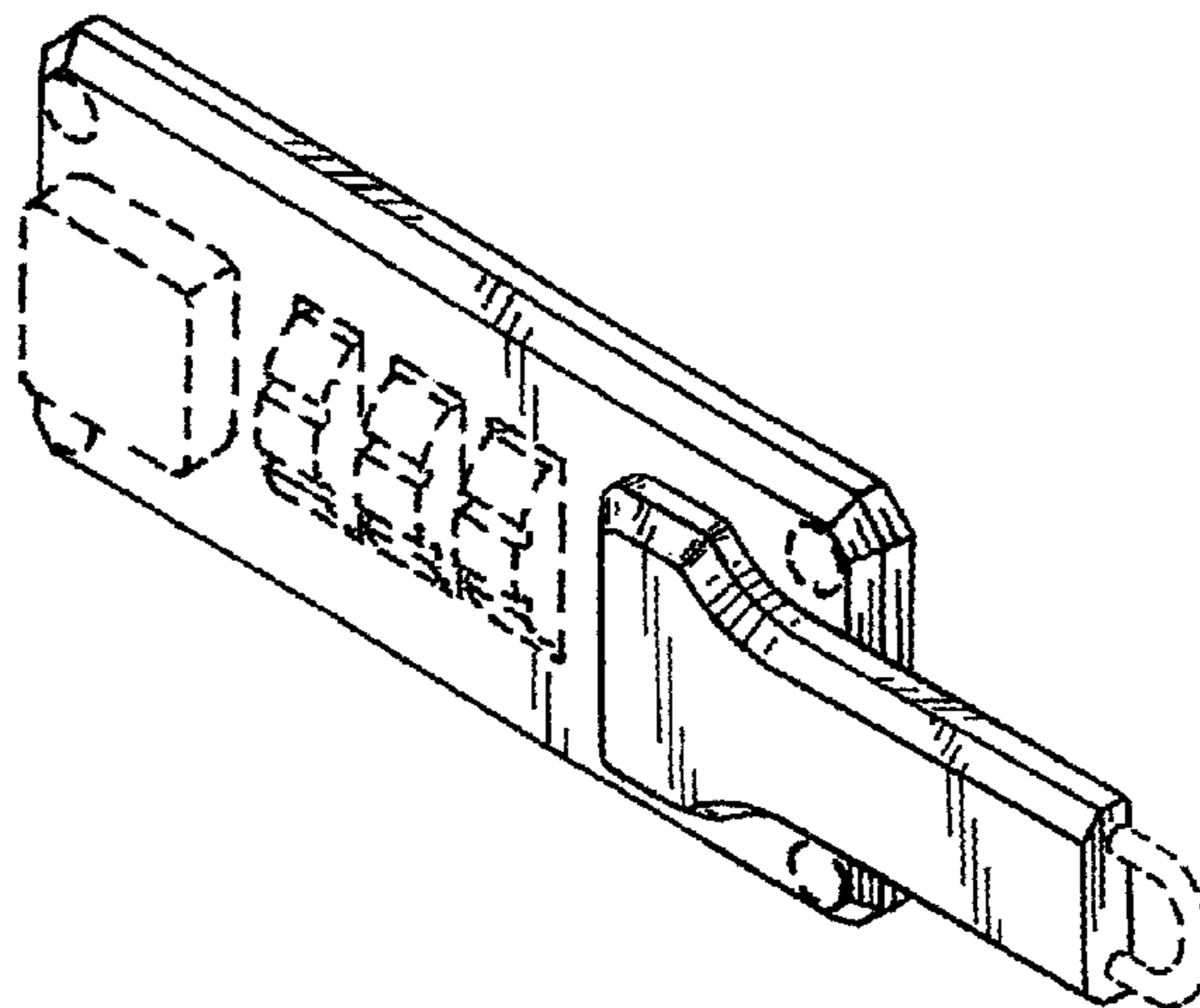
(57) **CLAIM**

The ornamental design for a lock latch system, as shown and described.

DESCRIPTION

FIG. 1 is a top, front and right perspective view of a lock latch system showing my new design;
FIG. 2 is a top, front and right perspective view thereof, shown without a latch;
FIG. 3 is a top, front and right perspective view of a latch, shown separately for clarity of illustration;
FIG. 4 is a top, rear and left perspective view of FIG. 3;
FIG. 5 is a left side elevational view of FIG. 3;
FIG. 6 is a front elevational view of FIG. 3;
FIG. 7 is a bottom plan view of FIG. 3;
FIG. 8 is a top plan view of FIG. 2;
FIG. 9 is a front elevational view of FIG. 2; and
FIG. 10 is a right side elevational view of FIG. 2.
The broken lines indicate non-claimed portions and form no part of the claimed design. The lock and latch are shown separately for clarity while FIG. 1 shows an assembly of the lock and latch.

1 Claim, 2 Drawing Sheets



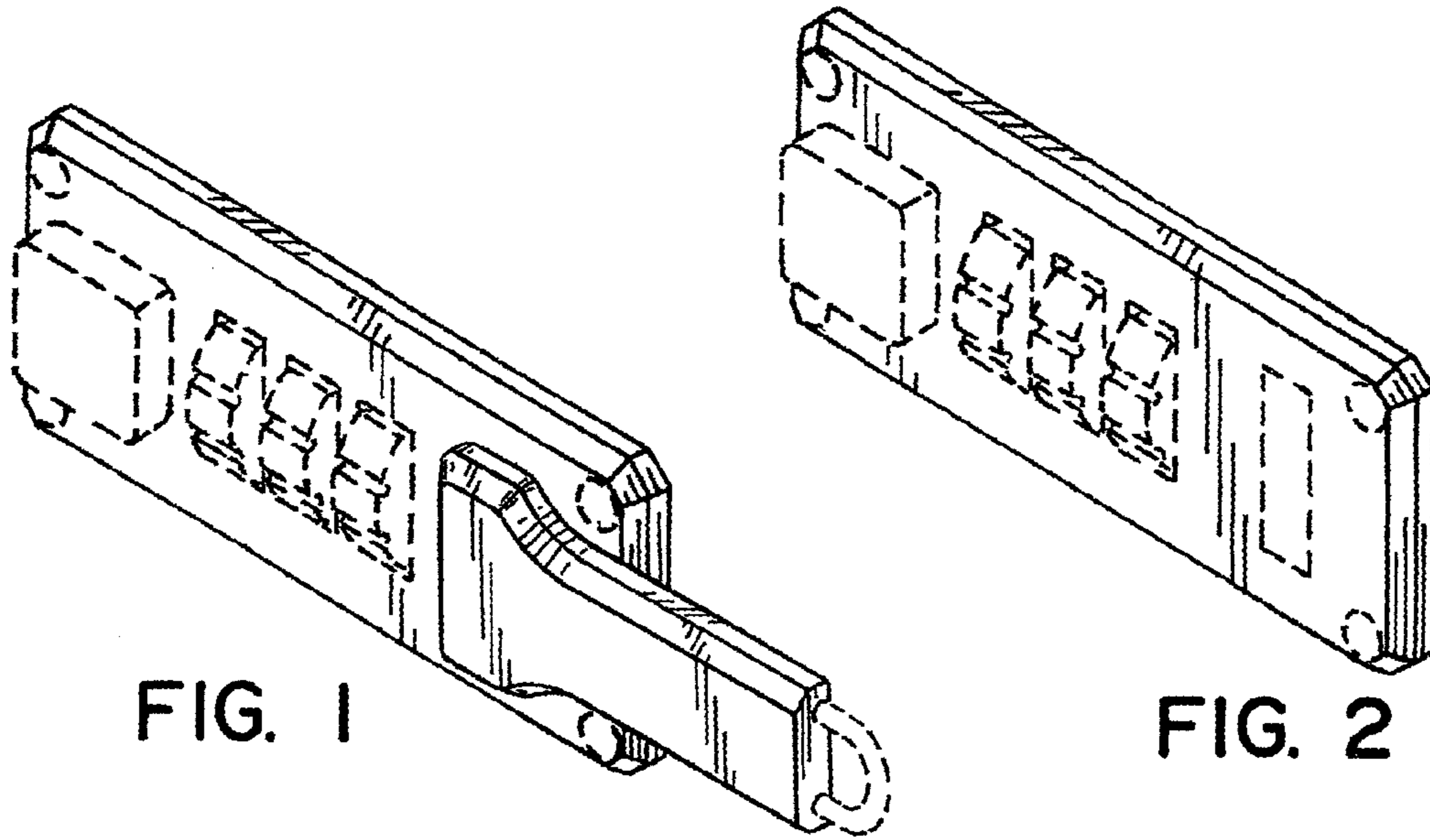


FIG. 1

FIG. 2

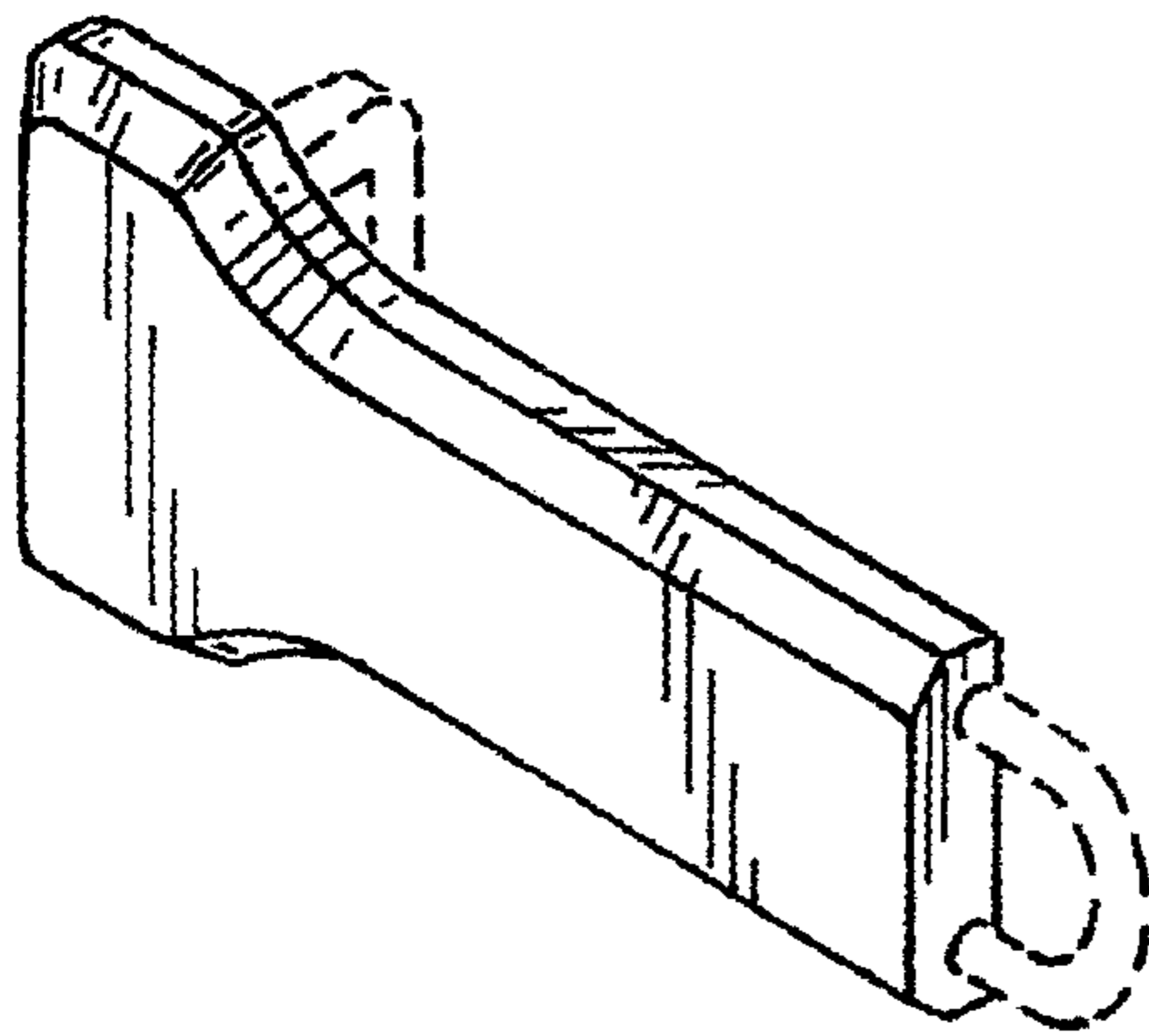


FIG. 3

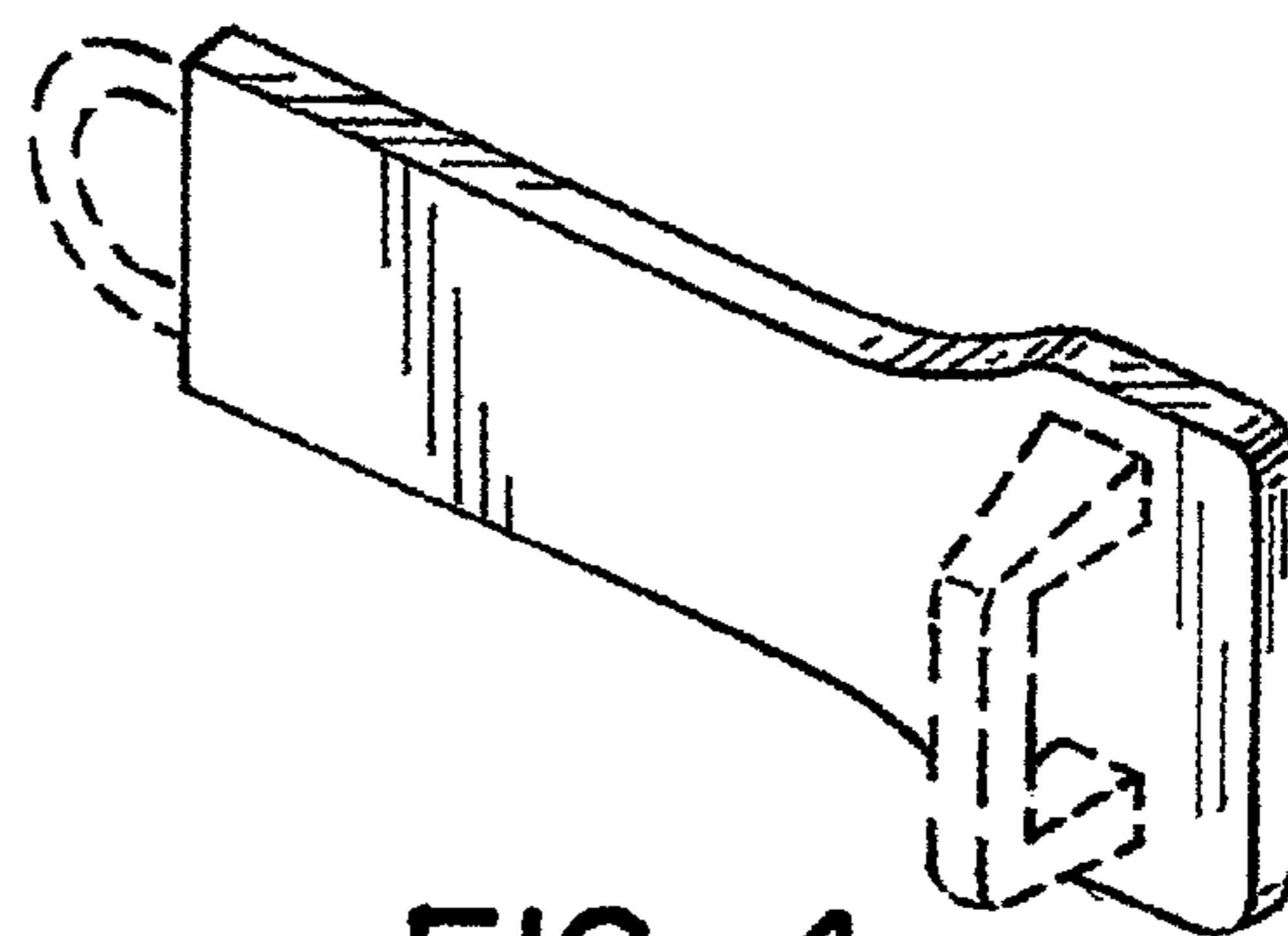


FIG. 4

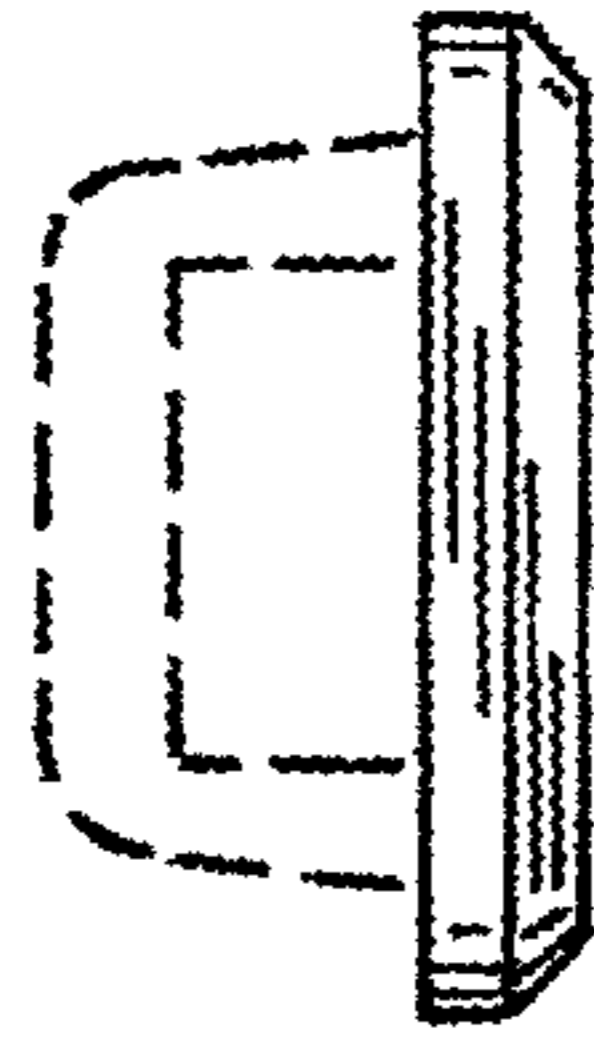


FIG. 5

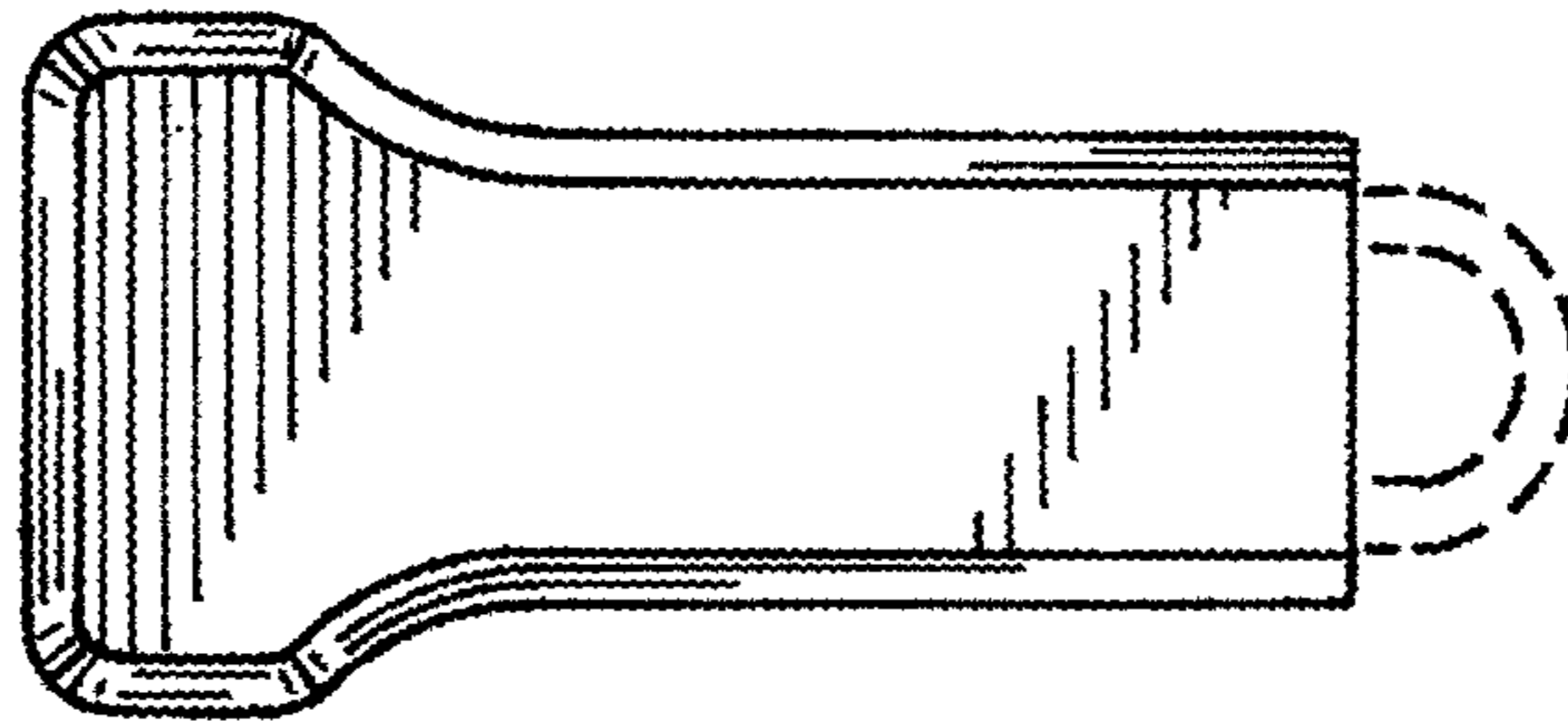


FIG. 6

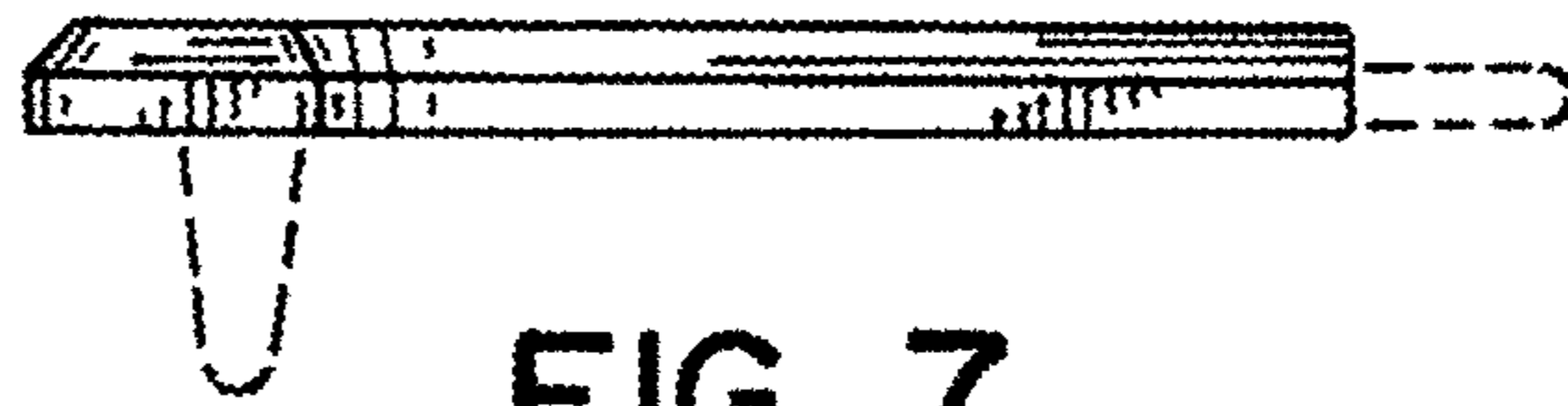


FIG. 7

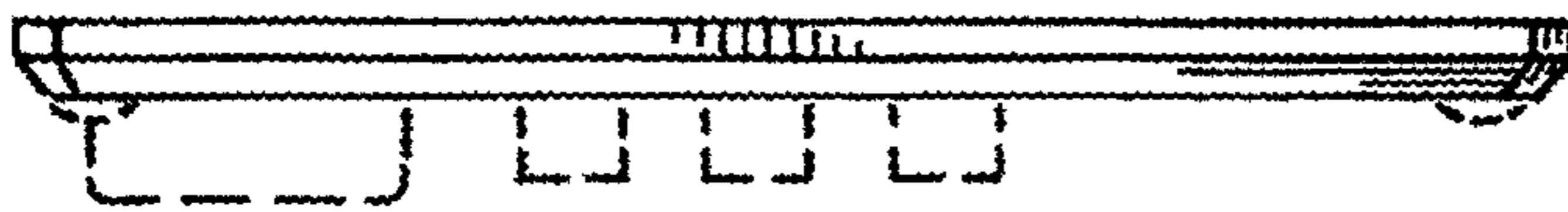


FIG. 8

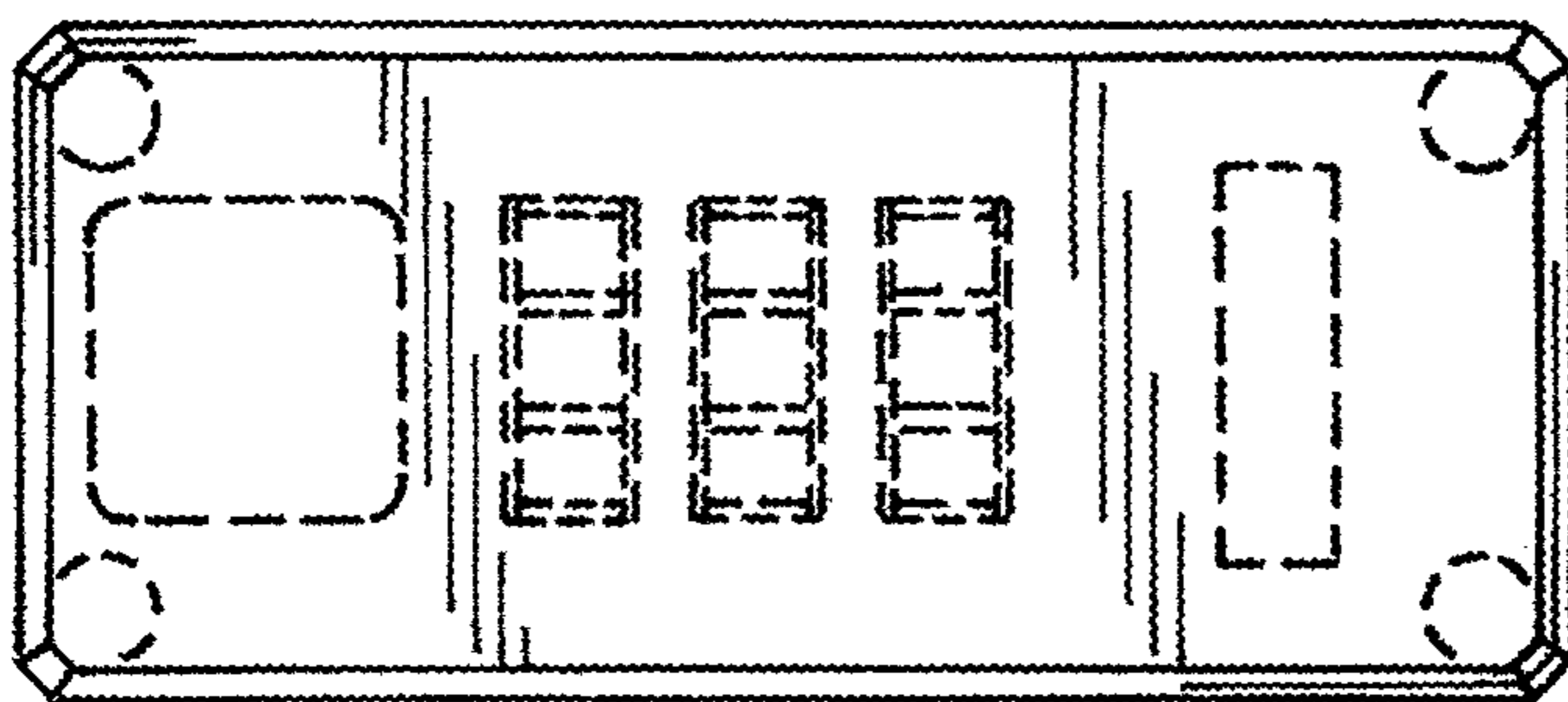


FIG. 9



FIG. 10