



US00D762440S

(12) **United States Design Patent**
Shenton et al.

(10) **Patent No.:** **US D762,440 S**
(45) **Date of Patent:** **** Aug. 2, 2016**

(54) **LOCK**
(71) Applicant: **Grouphomesafe Limited**, Willenhall (GB)
(72) Inventors: **Nigel Shenton**, Wolverhampton (GB); **Robert W. Walker**, Dudley (GB)
(73) Assignee: **Grouphomesafe Limited** (GB)
(**) Term: **14 Years**
(21) Appl. No.: **29/511,008**
(22) Filed: **Dec. 5, 2014**
(30) **Foreign Application Priority Data**
Jun. 6, 2014 (EM) 002478552-0005
Jun. 6, 2014 (EM) 002478552-0006
Jun. 6, 2014 (EM) 002478552-0007
Jun. 6, 2014 (EM) 002478552-0008

(51) **LOC (10) Cl.** **08-07**
(52) **U.S. Cl.**
USPC **D8/330**
(58) **Field of Classification Search**
USPC D8/330, 331, 332, 334, 339, 343;
70/14, 20-22, 57, 57.1, 58, 163, 174,
70/179, 180, 266, 431, 447, 448, 449, 198,
70/199, 202; 248/551, 553; 439/304
CPC E05B 73/00; E05B 77/00; F16K 35/00;
F16K 35/10
See application file for complete search history.

(56) **References Cited**
U.S. PATENT DOCUMENTS
5,074,134 A * 12/1991 Wheadon E05B 13/101
137/384.2
5,589,809 A * 12/1996 Kogawa H01H 71/7427
337/36
5,806,555 A * 9/1998 Magno, Jr. E05B 13/00
137/385
6,684,670 B1 * 2/2004 Agbay E05B 67/365
70/14

6,746,414 B1 * 6/2004 Devreese A61F 5/0123
602/26
7,341,392 B2 * 3/2008 Yeh E06C 1/32
182/163
D606,840 S * 12/2009 Gould D8/331
D651,889 S * 1/2012 Mahaffey D8/330
D658,037 S * 4/2012 Golling D8/331
D660,682 S * 5/2012 Mahaffey D8/330
D660,684 S * 5/2012 Golling D8/324
8,186,186 B1 * 5/2012 Mahaney E05B 67/36
70/14
D678,036 S * 3/2013 Chen D8/330
8,419,485 B2 * 4/2013 Stausser H01R 13/4362
439/559
D719,816 S * 12/2014 Lin D8/330
9,016,096 B2 * 4/2015 Winnie F16B 39/12
70/225
9,064,646 B2 * 6/2015 Wavering H01H 9/286
D745,366 S * 12/2015 Ocklenburg D8/339
9,217,265 B2 * 12/2015 Muller E05B 71/00

OTHER PUBLICATIONS

U.S. Appl. No. 29/511,009, Lock, filed Dec. 5, 2014.
* cited by examiner

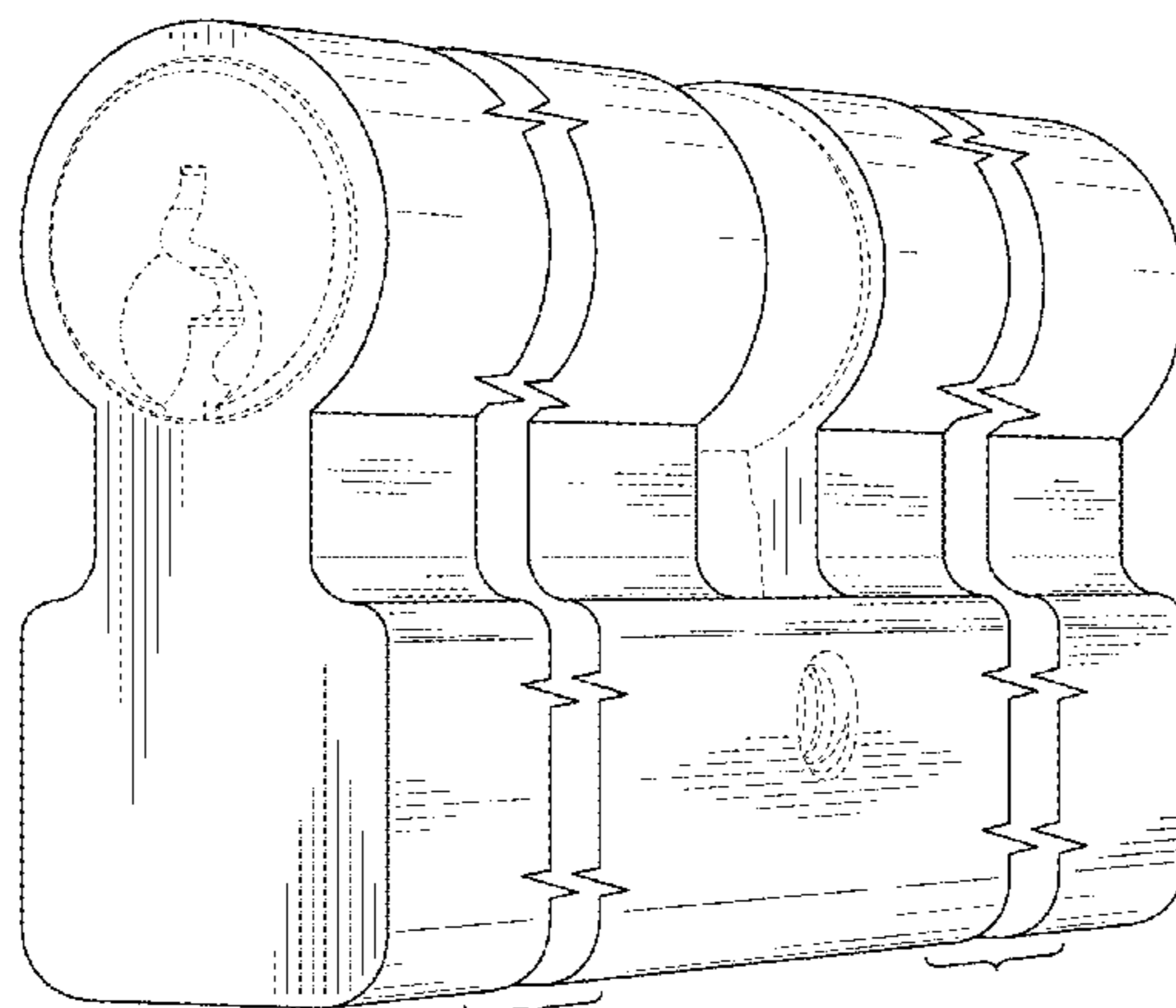
Primary Examiner — Prabhakar Deshmukh
(74) *Attorney, Agent, or Firm* — Goodwin Procter LLP

(57) **CLAIM**
The ornamental design for a lock, as shown and described.

DESCRIPTION

FIG. 1 is a front perspective view of a lock showing our new design;
FIG. 2 is a front elevational view thereof;
FIG. 3 is a rear elevational view thereof;
FIG. 4 is a right side elevational view thereof;
FIG. 5 is a left side elevational view thereof;
FIG. 6 is a top plan view thereof; and,
FIG. 7 is a bottom plan view thereof.
The broken lines indicate unclaimed portions and form no part of the claimed design. The break lines indicate undetermined length of the lock and the portions between the break lines form no part of the claimed design.

1 Claim, 5 Drawing Sheets



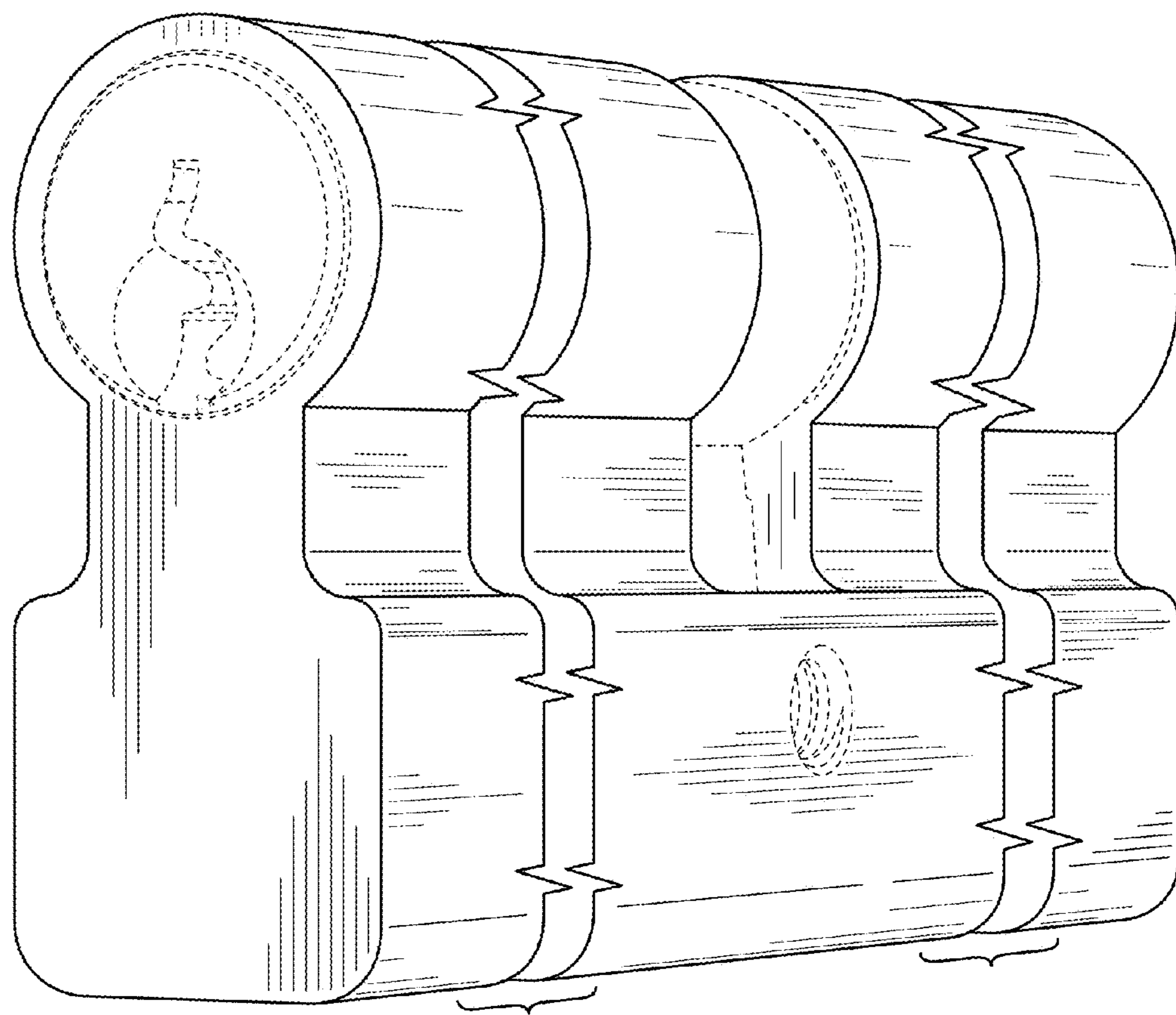


FIG. 1

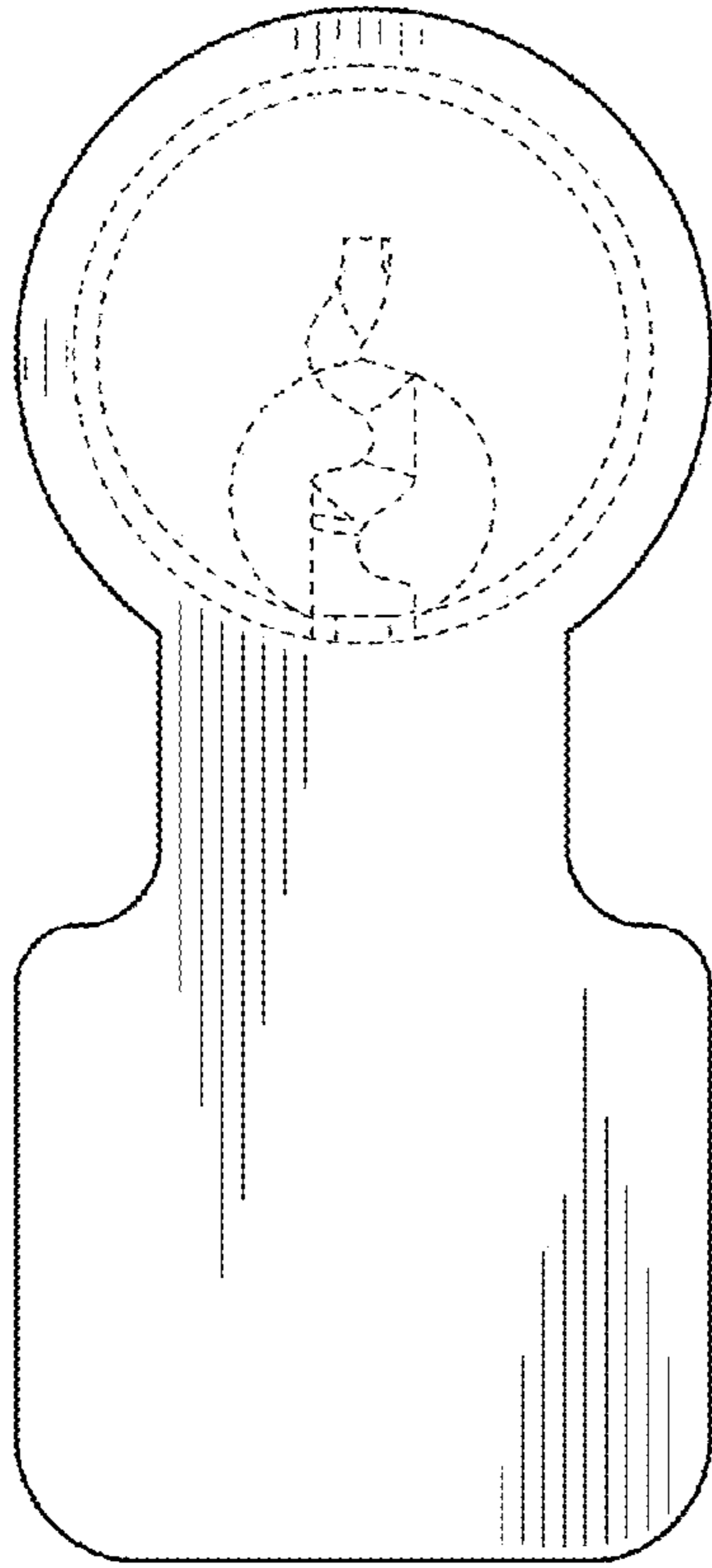


FIG. 2

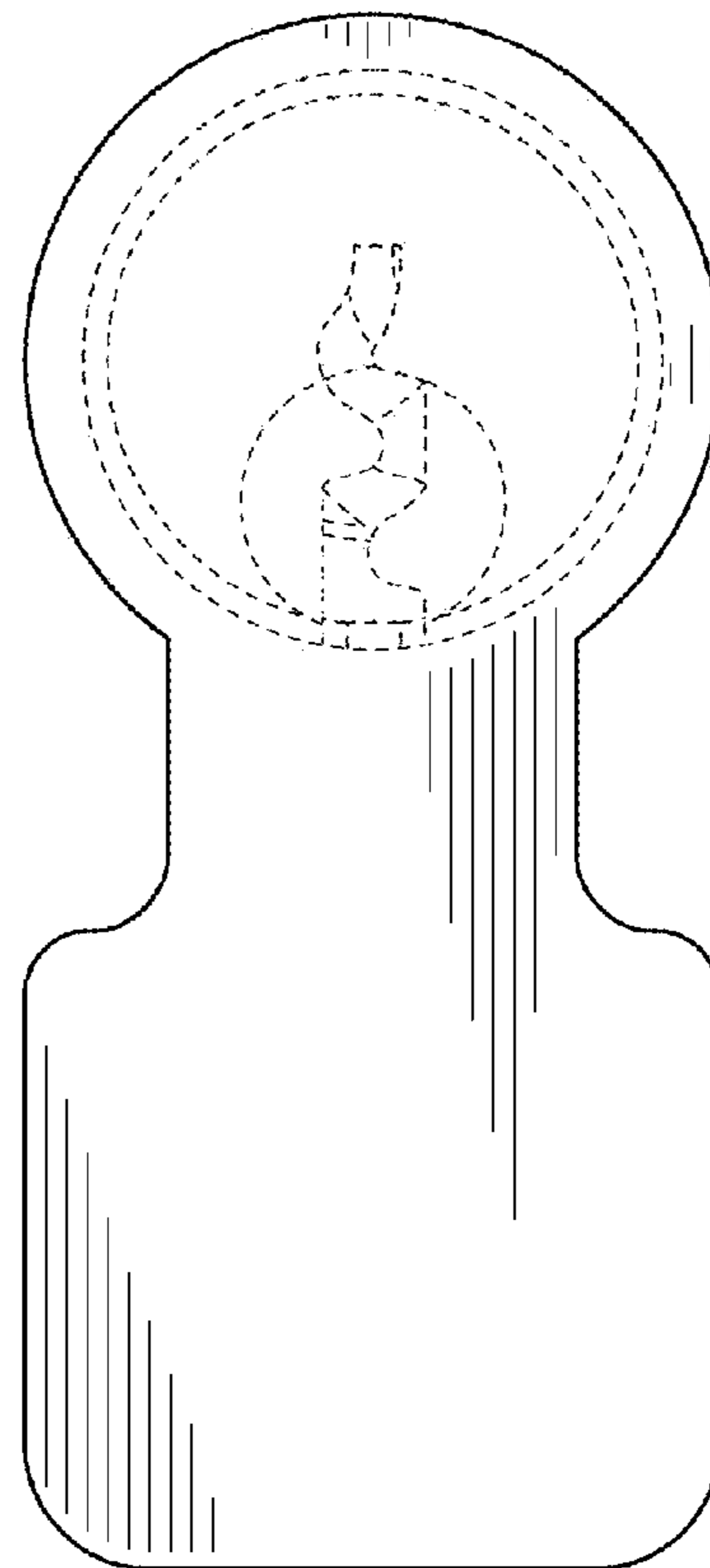


FIG. 3

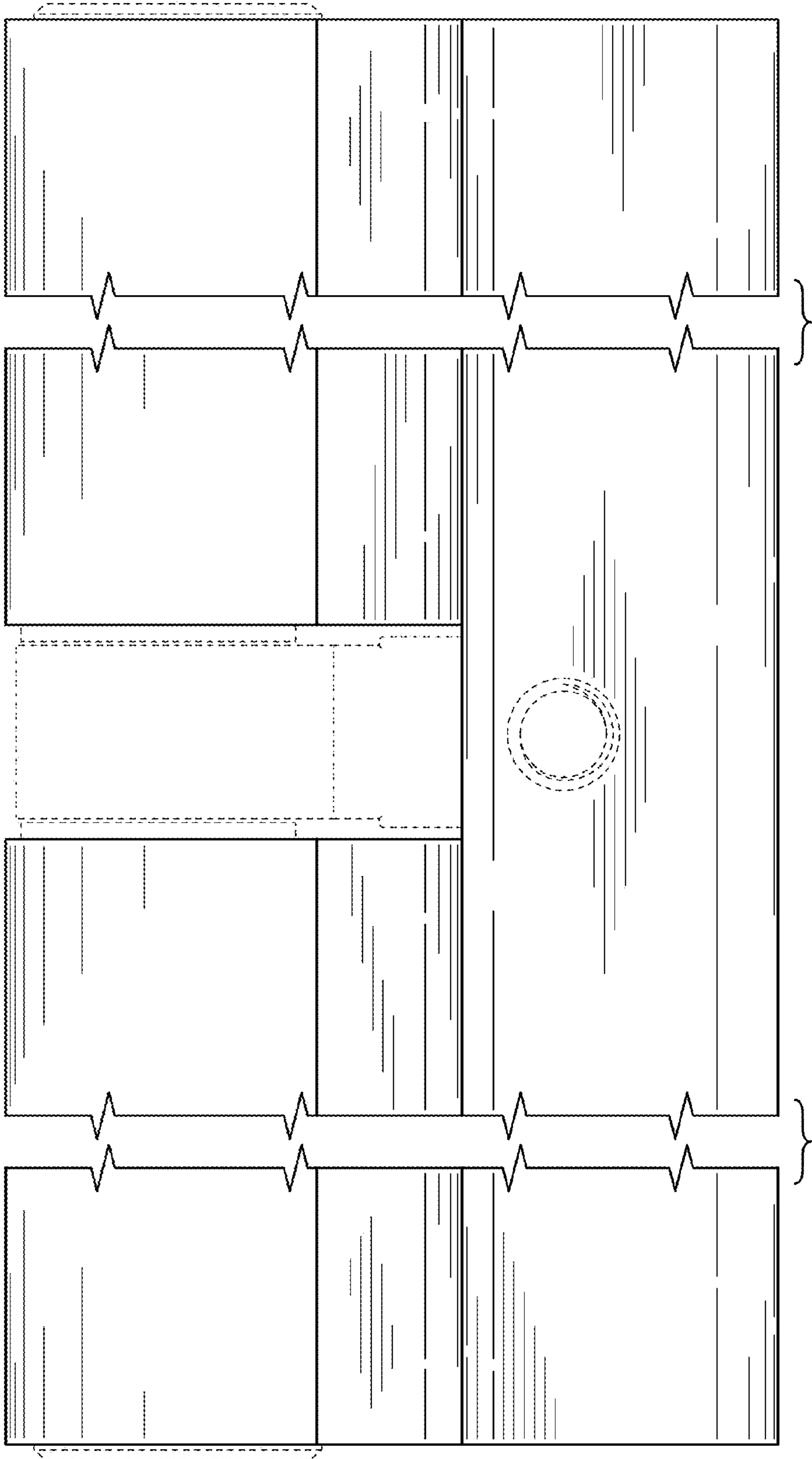


FIG. 4

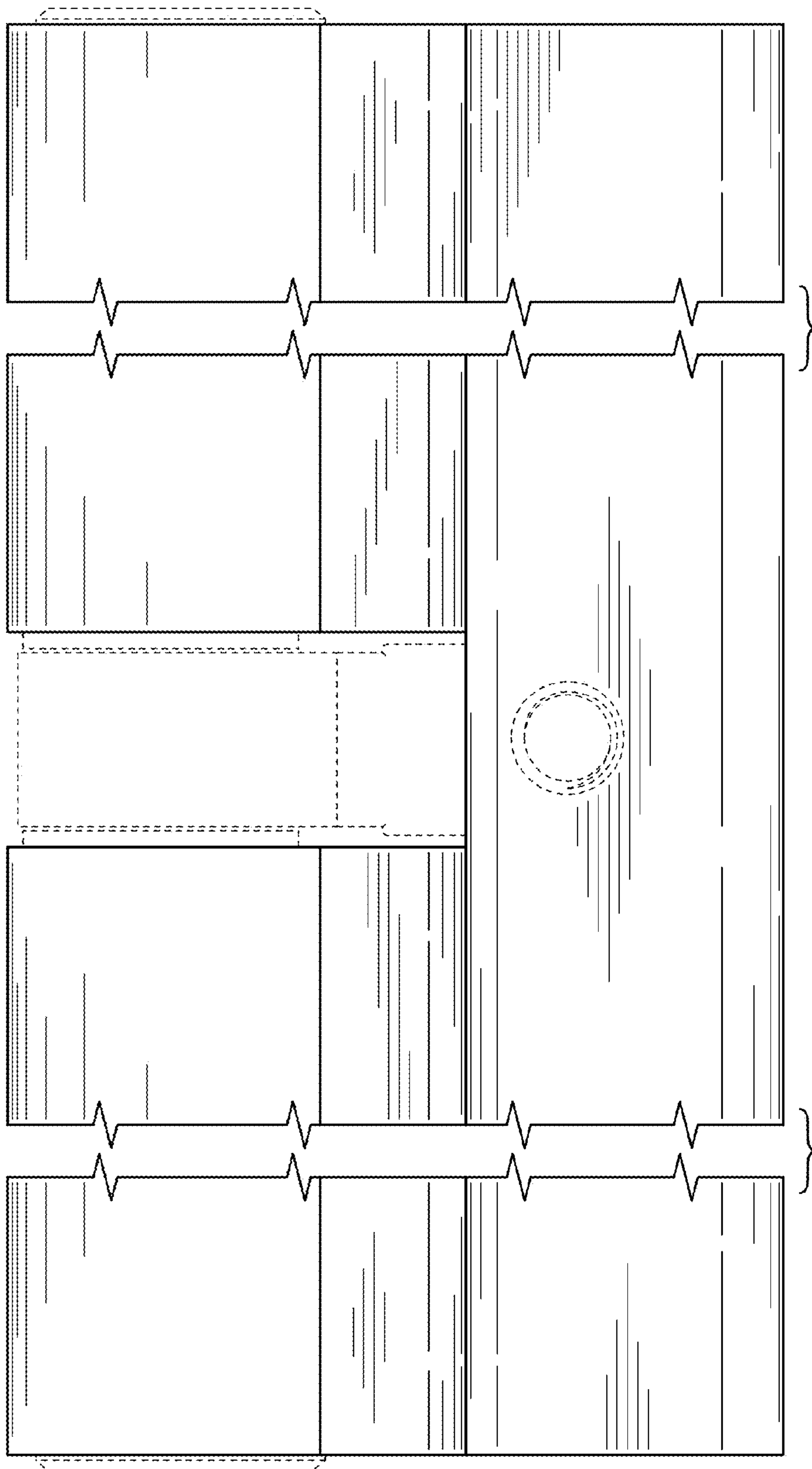


FIG. 5

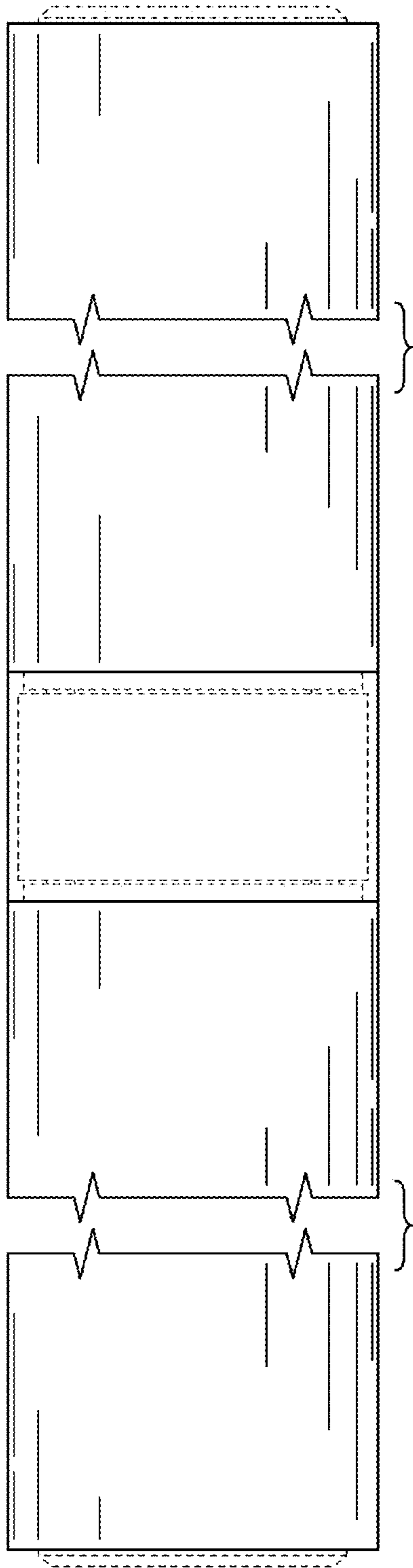


FIG. 6

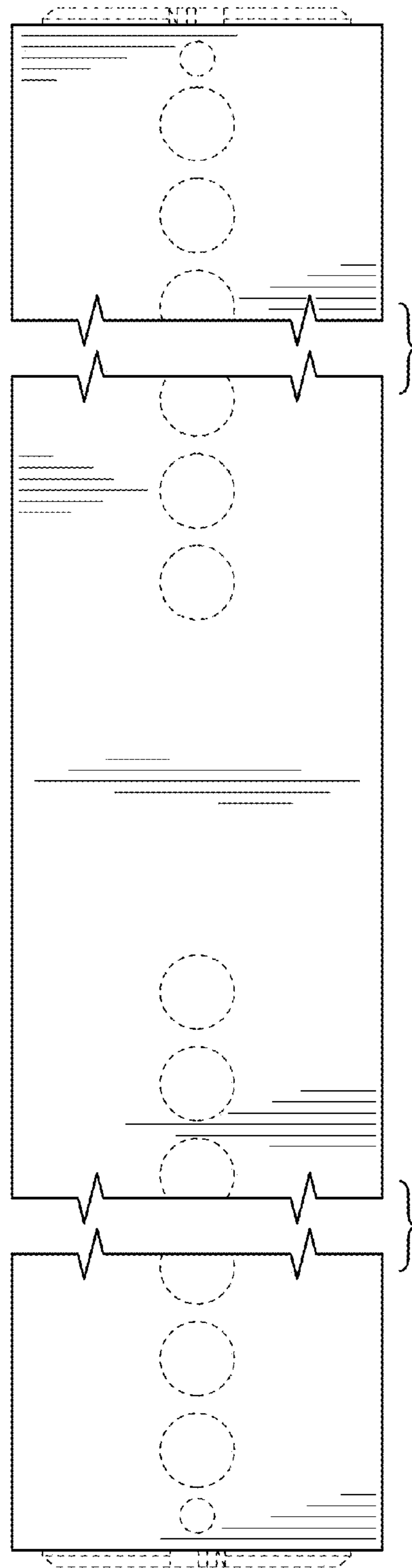


FIG. 7